

VEVOR[®]

TOUGH TOOLS, HALF PRICE

Technical Support and E-Warranty Certificate

www.vevor.com/support

LAWN SWEEPERS

USER MANUAL

We continue to be committed to offering tools at competitive prices. "Save Half", "Half Price", or any other similar expressions used by us only represent an estimate of savings you might benefit from buying certain tools with us compared to the major top brands and do not necessarily mean to cover all categories of tools offered by us. You are kindly reminded to verify carefully when placing an order with us if you are saving half in comparison with the top major brands.

VEVOR[®]

LAWN SWEEPERS

GT1112



NEED HELP? CONTACT US!

Have product questions? Need technical support? Please feel free to contact us:

✉ CustomerService@vevor.com

This is the original instruction, please read all manual instructions carefully before operating. VEVOR reserves a clear interpretation of our user manual. The appearance of the product shall be subject to the product you received. Please forgive us that we won't inform you again if there are any technology or software updates on our product.

Table of Contents

GENERAL WARNINGS.....	3,6
Accessory Details & Part Details.....	7
Assembly Instructions.....	8,10
Direction for use	11
Parts Drawing & Parts List.....	12,13
Maintenance and Storage.....	14, 16

Want more information or assembly tips?



Video Instruction Guide

https://youtu.be/JU_fJRaiBVo

GENERAL WARNINGS

READ and UNDERSTAND this manual completely before using the Lawn Sweeper.

The operator must read and understand all safety and warning information, operating instructions, maintenance and storage instructions before operating this equipment. Failure to properly operate and maintain the lawn sweeper could result in serious injury to the operator or bystanders.

Operation Warnings

- Do not at any time carry passengers, sit or stand on the lawn sweeper.
- Do not allow children to play on, stand upon or climb on the lawn sweeper.
- Always inspect the sweeper before using it to ensure it is in good working condition.
- Replace or repair damaged or worn parts immediately.
- Always check and tighten the hardware and assembled parts before operation.
- Never attach the hopper rope to any part of your body or clothing.
- Never hold onto the rope while towing the sweeper.
- Only attach the rope to the tow vehicle to keep it away from the wheels and moving parts.
- Avoid large holes and ditches when operating the equipment.
- Be careful when operating the sweeper on steep grades (hills).
- Always operate up and down the slope, never across the face of the slope.
- Always operate at reduced speed in rough terrain, along creeks, ditches and on hillsides.
- Do not operate close to creeks, ditches and public highways.
- To avoid personal injury and/or equipment damage, **DO NOT EXCEED 5MPH.**
- Always use caution when loading and unloading the hopper.
- Only tow with recommended vehicles (Lawn/Garden Tractors and ATVs).
- Always refer to the vehicle owner's manual for proper towing.
- The sweeper is not designed to be used with zero-turn mowers.
- Always secure and lock the sweeper to the vehicle hitch before operating.

Crush and Cut Hazards

- Always keep hands and feet clear from moving parts while operating the equipment.
- Always clear and keep the work area clean when operating.
- Always wear safety gear, eye protection, gloves and work boots when operating the sweeper.



WARNING

The warnings, cautions, and instructions outlined in this instruction manual cannot cover all possible conditions or situations that may occur. It must be understood by the operator that common sense and caution are factors that cannot be built into this product and must be supplied by the operator.



PROP 65 WARNING





This product can expose you to chemicals including lead and lead compounds which are known to the state of California to cause cancer and birth defects, or other reproductive harm. For more information, go to www.P65Warnings.ca.gov.

Assembly Is Required

This product requires assembly before use. See the “Assembly” section for instructions. Because of the weight and/or size of the lawn sweeper, it is recommended that another adult be present to assist with the assembly.

INSPECT ALL COMPONENTS closely upon receipt to make sure no components are missing or damaged.

Hazard Signal Word Definitions

	This is the safety alert symbol. It is used to alert you to potential personal injury hazards. Obey all safety messages that follow this symbol to avoid possible injury or death.
	DANGER indicates an imminently hazardous situation which, if not avoided, will result in death or serious injury.
	WARNING indicates a potentially hazardous situation which, if not avoided, could result in death or serious injury.
	CAUTION indicates a potentially hazardous situation which, if not avoided, may result in minor or moderate injury.
CAUTION	CAUTION used without the safety alert symbol indicates a potentially hazardous situation which, if not avoided, may result in property damage.

ABOUT YOUR TOW-BEHIND LAWN SWEEPER

This heavy-duty tow-behind lawn sweeper makes yard work a breeze. The steel and nylon construction is durable and lightweight, making it wear- and rust-resistant, easy to tow, and easy to clean. The extra large sweeping span makes the job easy and saves time when cleaning different types of debris from grass clippings, twigs, and leaves, to paper and much more. The tow-behind sweeper features a one-handed lever to adjust the brush height. It can be stored in a shed or garage with minimal space. The large hopper makes loading and unloading fast and convenient.

Technical specifications on the lawn sweeper are provided in the “Specifications” section of this manual.

Controls and Features Identification

Read this owner's manual before operating the equipment. Familiarize yourself with the location and function of the controls and features. Save this manual for future reference.



- 1) **Hand Lever** – Adjust the Brush Height.
- 2) **Nylon Hopper** – Holds all types of Debris.
- 3) **Tires / Wheel** – Semi pneumatic all-terrain tires.
- 4) **Hitch** – Pin-type design used only with approved vehicles.



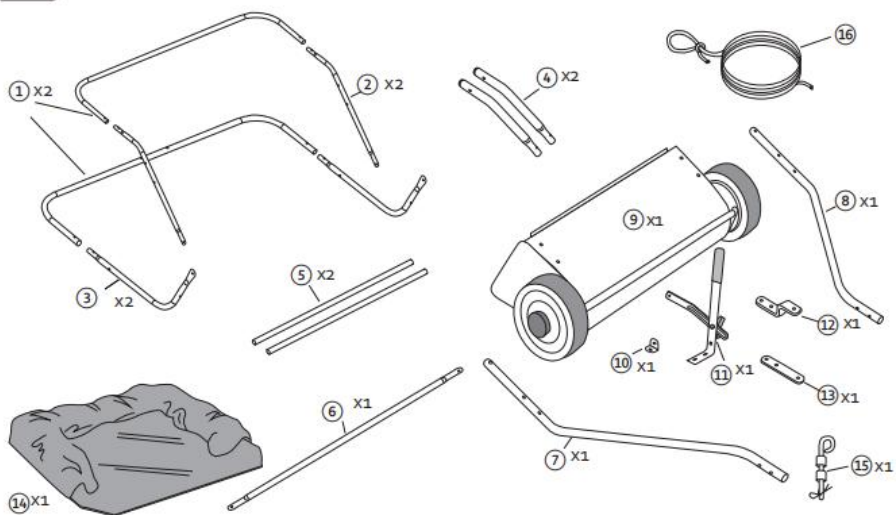
CAUTION

Read and follow all instructions for assembly and operation. Failure to properly assemble this equipment could result in serious injury to the user or bystanders, or cause equipment damage.

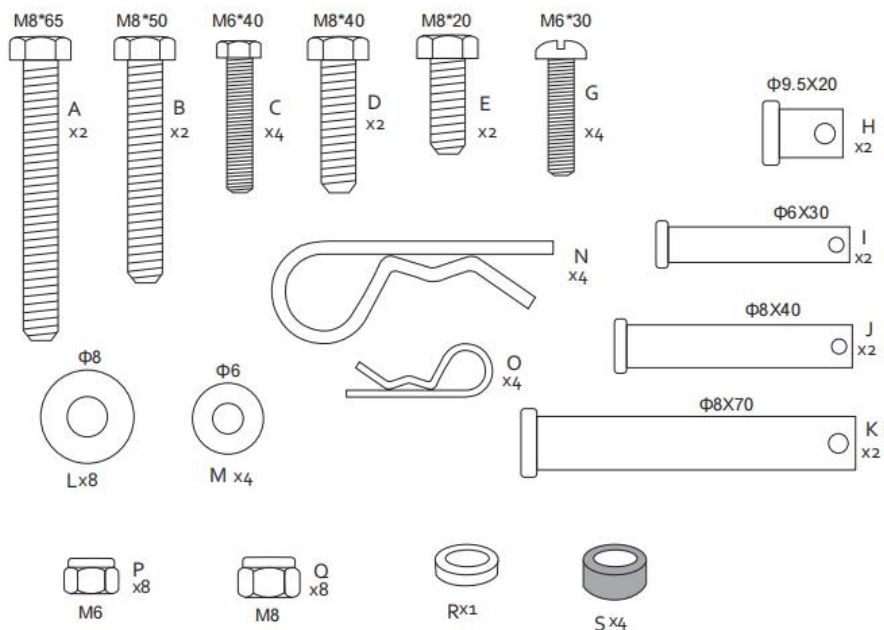
LAWN SWEEPER COMPONENT PARTS AND ASSEMBLY

Before assembling the sweeper according to steps 1 to 8, take all parts out of the shipping crate and inspect components to ensure there are no missing pieces.

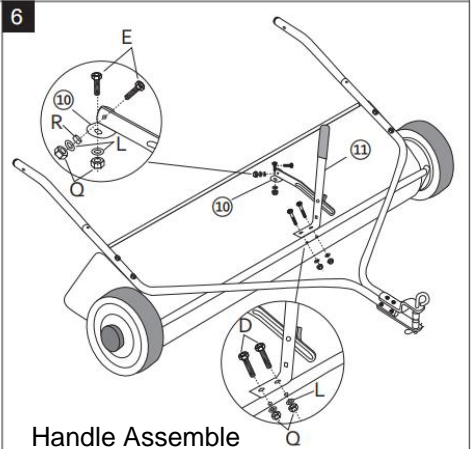
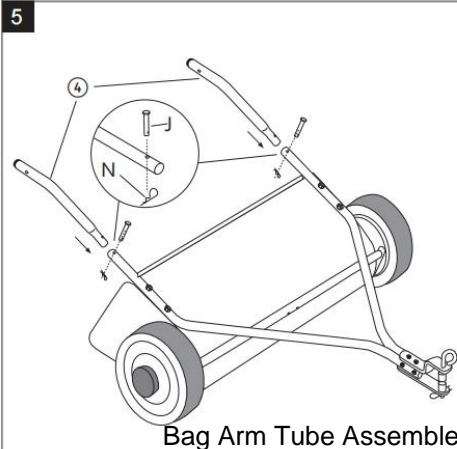
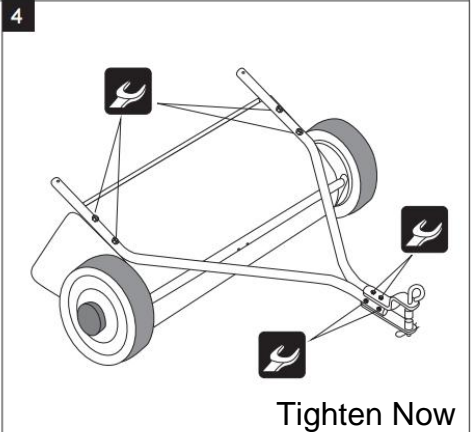
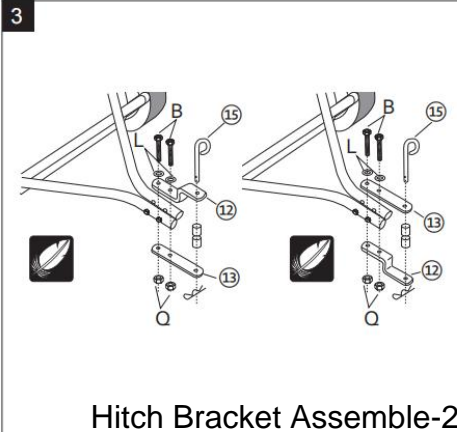
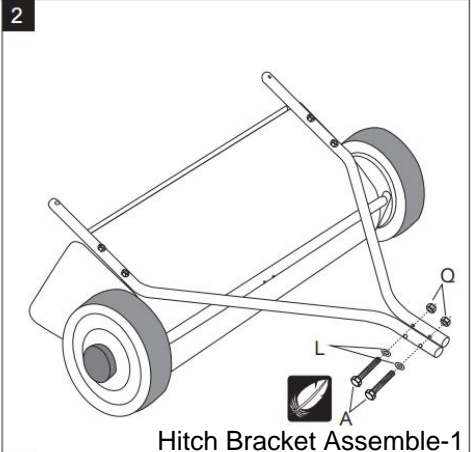
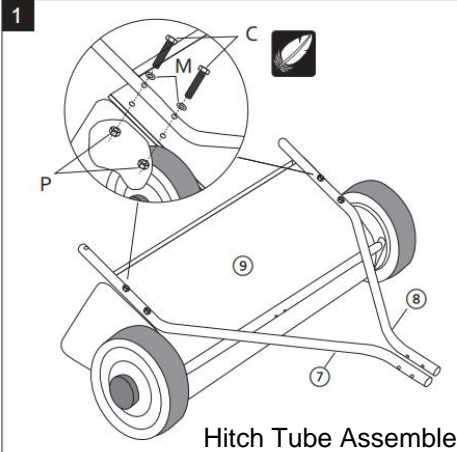
Accessory Details & Part Details



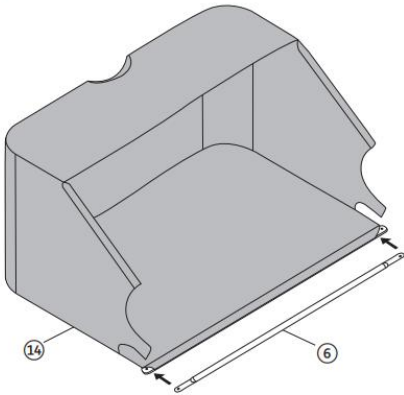
Parts Details



Assembly Instructions

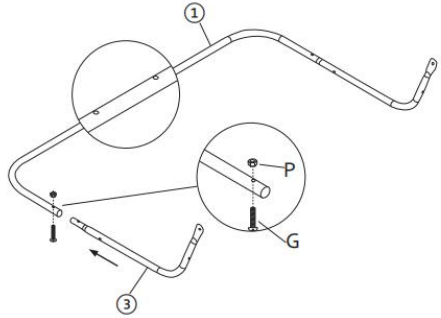


7



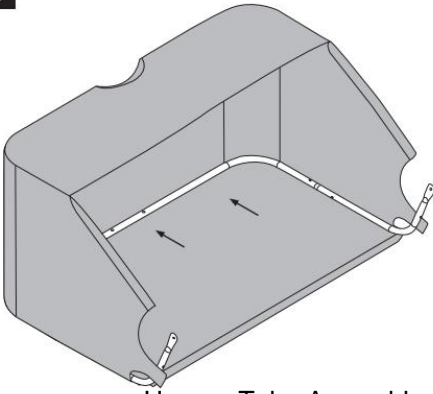
Bag Frame Strap Assemble

8



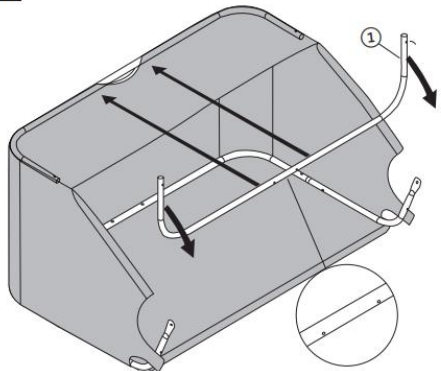
Hopper Tube Assemble-1

9



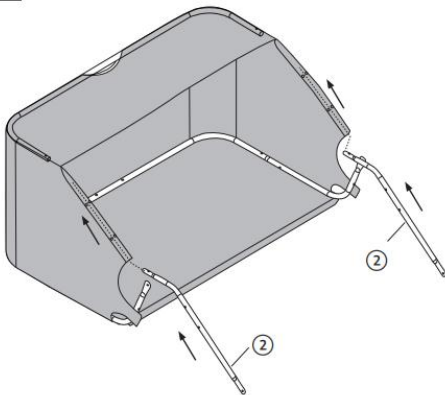
Hopper Tube Assemble-2

10



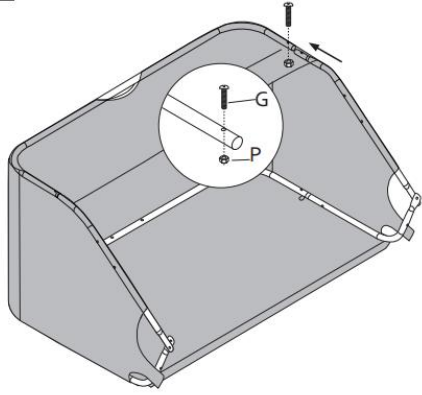
Hopper Tube Assemble-3

11



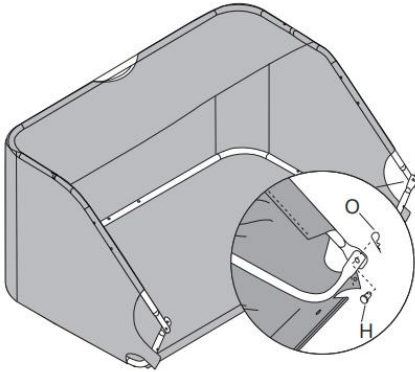
Hopper Tube Assemble-4

12



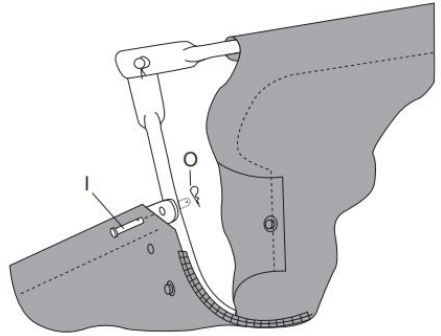
Hopper Tube Assemble-5

13



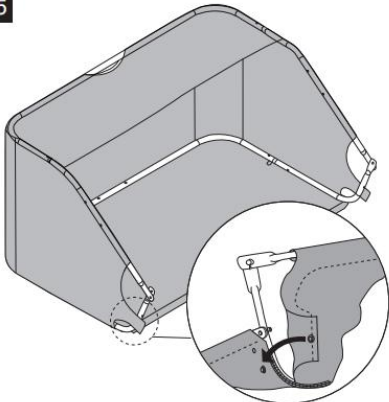
Hopper Tube Assemble-6

14



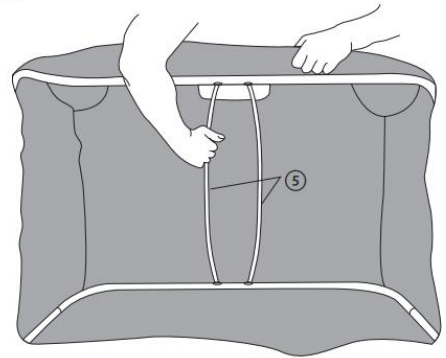
Hopper Tube Assemble-7

15



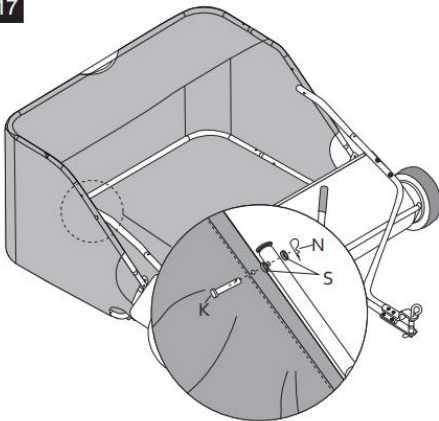
Secure the Clasp

16



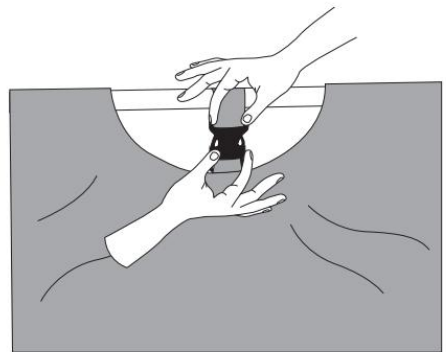
Hopper Support Rod Assemble

17



Body & Hopper Assemble

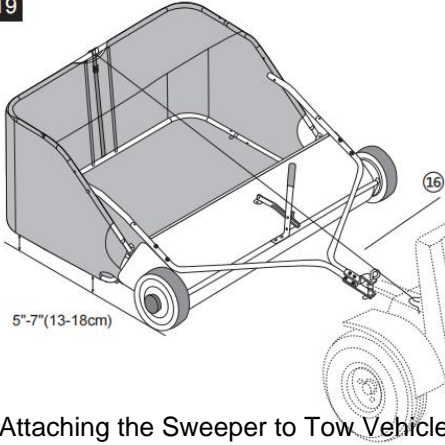
18



Fixed the Rear Hopper Tubes

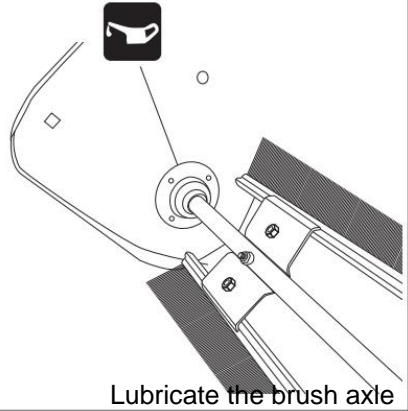
Direction for use

19

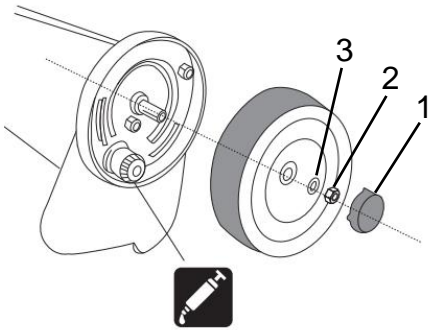


Attaching the Sweeper to Tow Vehicle

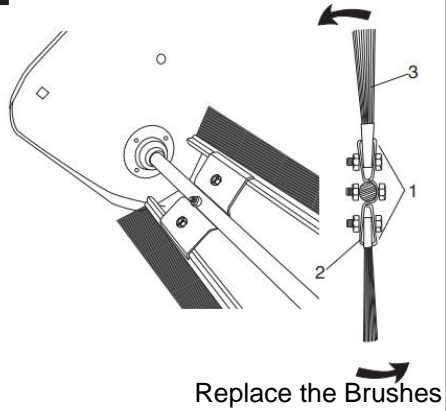
20



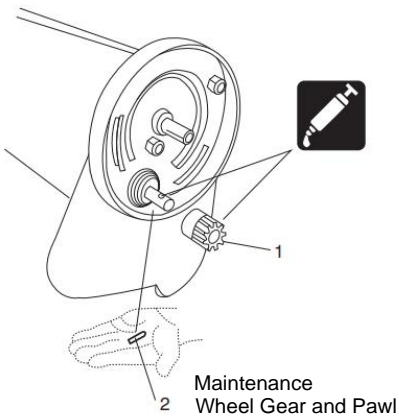
21



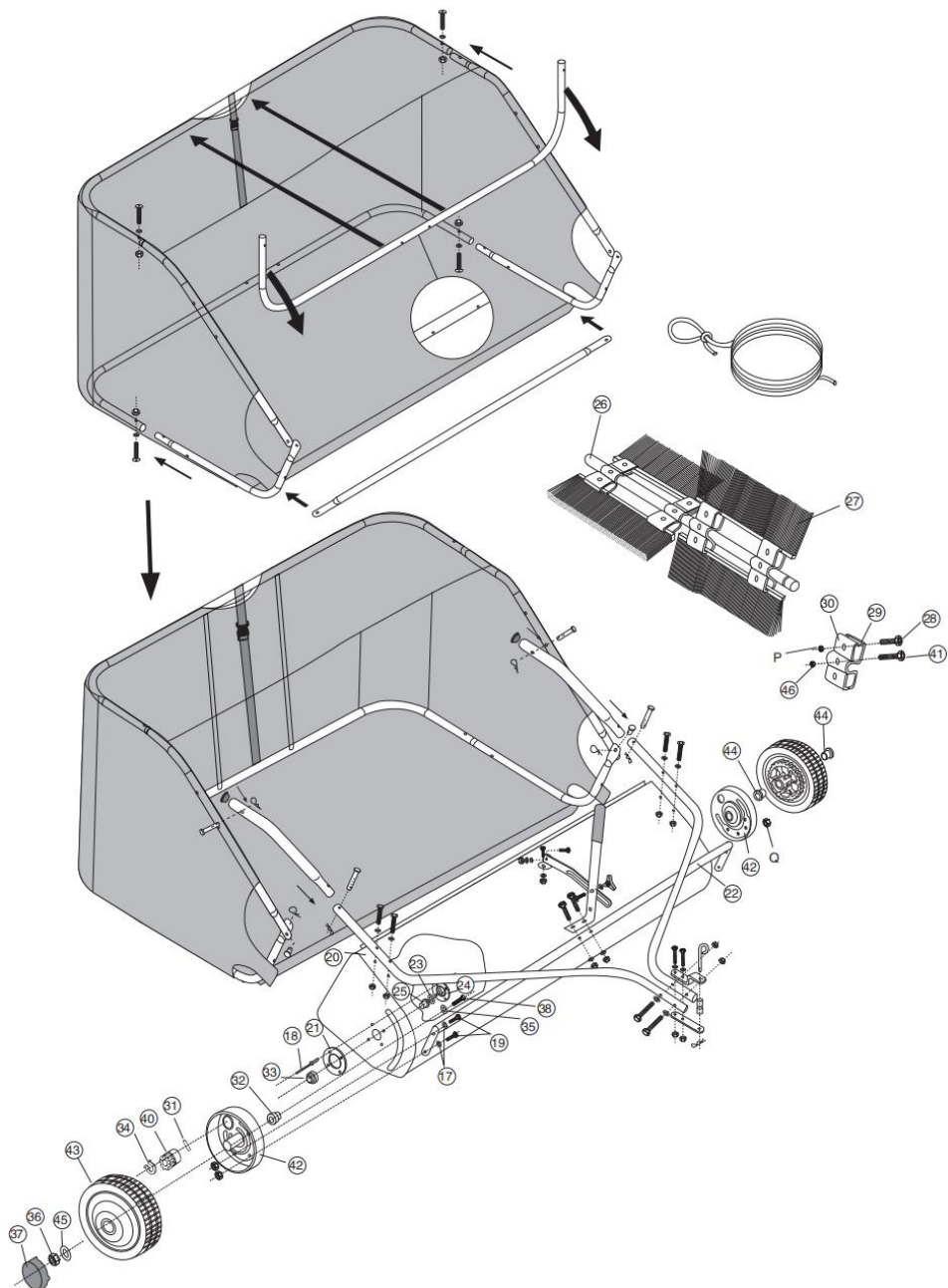
22



23



Parts Drawing



Parts List

Ref #	Description	Qty.	Ref #	Description	Qty.
1	Rear Hopper Tube	2	A	Hex Bolt M8x65	2
2	Upper Hopper Side Tube	2	B	Hex Bolt M8x50	2
3	Lower Hopper Side Tube	2	C	Hex Bolt M6x40	4
4	Bag Arm Tube	2	D	Hex Bolt M8x40	2
5	Hopper Support Rod	2	E	Hex Bolt M8x20	2
6	Bag Frame Strap	1	G	Half-head screws M6x30	4
7	Hitch Tube, Left Side	1	H	Clevis Pin Ø9.5x20	2
8	Hitch Tube, Right Side	1	I	Clevis Pin Ø6x30	2
9	Sweeper Housing Assembly	1	J	Clevis Pin Ø8x40	2
10	Angle Bracket	1	K	Clevis Pin Ø8x70	2
11	Handle Assembly	1	L	Big Flat Washer Ø8	8
12	Hitch Bracket	1	M	Washer Ø6	4
13	Hitch Bracket (Straight)	1	N	R Pin Ø3	4
14	Hopper Bag	1	O	R Pin Ø2	4
15	Hitch Pin & Spacer & R Pin Ø3	1	P	Nylon Lock Nut, M6	16
16	Rope	1	Q	Nylon Lock Nut, M8	12
17	Washer, Ø8	4	R	Adjustable Pole Spacer	1
18	Slotted pan head screw M5x13	8	S	Hitch Spacer Ø25 x 23	4
19	Hex Bolt M8x16	4			
20	Wrapper	1			
21	Special Washer	2			
22	Height Adjustment Tube Assy	1			
23	Inside Washer	2			
24	Dust Cover Retainer	2			
25	Brush Shaft Bushing	2			
26	Brush Shaft	1			
27	Brush	4			
28	Hex Bolt M6x20	8			
29	Retainer, Brush (Double)	4			
30	Retainer, Brush (Single)	8			
31	Dowel Pin (Drive)	2			
32	Spacer for Axle	2			
33	Bushing	2			
34	Retaining Ring, Ø15	2			
35	Big Flat Washer, Ø10	2			
36	Nylon Lock Nut, M10	2			
37	Hub Cap	2			
38	Hex Bolt, M10x85	2			
39	Pinion Gear L.H. (No Shown)	1			
40	Pinion Gear R.H.	1			
41	Hex Bolt M5x25	4			
42	Dust Cover Assy	2			
43	Wheel	2			
44	Wheel Bushing	4			
45	Big Flat Washer, Ø10	2			
46	Nylon Lock Nut, M5	4			

Safety

Read and understand the vehicle manual and these instructions before using this sweeper.

Always instruct other users before they operate the sweeper.

Symbols



Do not tighten yet



Tighten now



Oil



Grease

Operation



Risk of Injury

Never attach the rope to your body. The rope may wrap around the brushes or other rotating parts and injure you. Only attach the rope to the tow vehicle. Do not touch the rope while the vehicle is in motion.

- Never allow children to handle the sweeper.
- Never allow anyone to ride on the sweeper.
- Always wear footwear when working with the sweeper.
- Never operate the sweeper if foreign matter is stuck in the blades. Turn off the vehicle engine, remove the foreign matter and check for damage. If the sweeper is damaged, repair it before continuing to operate.



Risk of Overturning

Check the loading capacity of the towing vehicle and only sweep appropriate amounts of grass and leaves into the grass bag.

On starting off, make sure that the sweeper retains its balance and does not overturn.

Do not work on slopes greater than 10°.

Do not exceed 6 mph (10 km/h).

Drive slowly and carefully, especially when turning and on uneven ground

Note: The driving and braking characteristics depend on the towed load.



Risk of Fire

Always keep the sweeper away from fire. Excessive heat can damage the brushes and grass bag and could cause the bag to burn.

Always empty the grass bag before storing the sweeper; spontaneous combustion may occur.

Attaching the Sweeper to Tow Vehicle (See Figure 19)

Park the tow vehicle and sweeper on flat level ground.

Set the sweeper height adjustment handle to middle of its adjustment range.

Attach the sweeper so that the grass bag is as parallel to the ground as possible and that the underside clears the ground between 5 in. and 7 in. (12.7 cm and 17.8 cm).

Do not exceed 6 mph (10 km/h).

Setting the Brush Height

Loosen the adjustment bolt.

Push down on the height adjustment lever to raise the brushes.

Set brushes to penetrate the grass to a depth of 1/2 in. (13 mm).

Tighten the adjustment bolt. **Emptying the Grass Bag**

Stop the towing vehicle and turn off the engine.

Tip the grass bag from the towing vehicle by pulling the rope.

Maintenance

Lubricate the wheel bearings once during the season. Remove hub cap and apply a few drops of light oil.

Lubricate the brush axle at the beginning and end of the season (See Figure 20). Clean and grease drive gears every two years (See Figure 21). Remove hubcap (1), lock nut (2), flat washer (3) and wheel.

Service

Replace the Brushes (See Figure 22)

Remove grass bag. Only loosen bolt and nut on the single brush retainers(1). Do not loosen double brush retainer(2).

Note which side of brush the bristles overlap (3). Slide brush out.

Install new brush with bristles overlap(3) as before.

Wheel Gear and Pawl (See Figure 23)

Do not remove both wheels at the same time; parts are not interchangeable.

Remove retaining ring and washer from ratchet gear (1) shaft.

Remove drive pin (2) and ratchet gear. Clean shaft and gear.

Install ratchet gear and drive pin. Pin must move freely in shaft.

Lightly grease shaft and fill ratchet gear with grease.

Lightly grease brush axle and gear teeth on wheel. Install the wheel.

Note: Brushes should only move during forward rotation. If brushes rotate in both directions, drive pin is jamming the ratchet gear. Disassemble and make sure drive pin moves freely.

Specifications

Frame Construction.....	Steel
Hopper Construction.....	Nylon Mesh
Hitch Type.....	Pin Style
Wheel Type.....	Semi-Pneumatic
44" Lawn Sweeper Wheel Size.....	10.5"

Address: Baoshanqu Shuangchenglu 803long 11hao 1602A-1609shi Shanghai
Imported to AUS: SIHAO PTY LTD. 1 ROKEVA STREETEASTWOOD NSW 2122
Australia

Imported to USA: Sanven Technology Ltd.

Address: Suite 250, 9166 Anaheim Place, Rancho Cucamonga, CA 91730

EU Importer: SHUNSHUN GmbH

Römeräcker 9 Z2021,76351 Linkenheim-Hochstetten, Germany



SHUNSHUN GmbH
Römeräcker 9 Z2021,76351
Linkenheim-Hochstetten, Germany

Made In China

VEVOR[®]

TOUGH TOOLS, HALF PRICE

Technical Support and E-Warranty Certificate

www.vevor.com/support