

# **VEVOR<sup>®</sup>**

**TOUGH TOOLS, HALF PRICE**

Technical Support and E-Warranty Certificate [www.vevor.com/support](http://www.vevor.com/support)

## **CONVECTION OVEN**

We continue to be committed to provide you tools with competitive price.

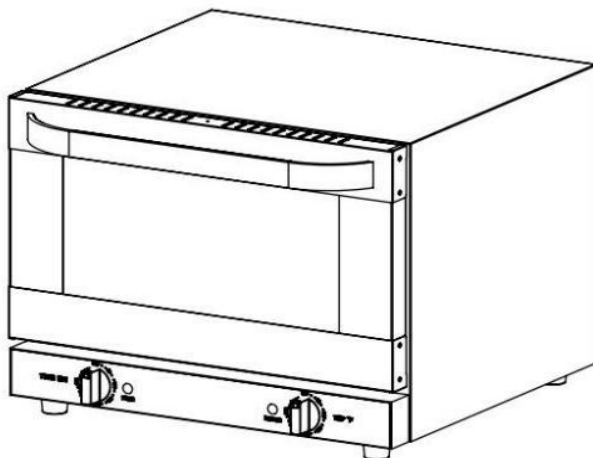
"Save Half", "Half Price" or any other similar expressions used by us only represents an estimate of savings you might benefit from buying certain tools with us compared to the major top brands and does not necessarily mean to cover all categories of tools offered by us. You are kindly reminded to verify carefully when you are placing an order with us if you are actually saving half in comparison with the top major brands.

# VEVOR<sup>®</sup>

TOUGH TOOLS, HALF PRICE

## CONVECTION OVEN

MODEL:FD-66/FD-66XY/FD-21XY/FD-21/FD-47/FD-47XY








### NEED HELP? CONTACT US!

Have product questions? Need technical support? Please feel free to contact us:

**Technical Support and E-Warranty Certificate**  
**[www.vevor.com/support](http://www.vevor.com/support)**

This is the original instruction, please read all manual instructions carefully before operating. VEVOR reserves a clear interpretation of our user manual. The appearance of the product shall be subject to the product you received. Please forgive us that we won't inform you again if there are any technology or software updates on our product.

Symbol	Symbol Description
	<b>Warning:</b> To reduce the risk of injury, the user must read the instructions manual carefully.
	This symbol, placed before a safety comment, indicates a kind of precaution, warning, or danger. Ignoring this warning may lead to an accident. To reduce the risk of injury, fire, or electrocution, please always follow the recommendation shown below.
	<b>WARNING: RISK OF FIRE OR ELECTRIC SHOCK - DO NOT OPEN.</b>
	<b>CAUTION:HOT SURFACE.</b> The Temperature of accessible surfaces may be high when the appliance is operating. Surface are liable to get hot during use.
	<b>CORRECT DISPOSAL:</b>  This product is subject to the provision of European Directive 2012/ 19/EC. The symbol showing a wheeled bin crossed through indicates that the product requires separate refuse collection in the European Union. This applies to the product and all accessories marked with this symbol. Products marked as such may not be discarded with normal domestic waste, but must be taken to a collection point for recycling electrical and electronic devices.

## IMPORTANT SAFETY INFORMATION

When using electrical appliances, basic safety precautions should always be followed, including the following:

1. Read all instructions carefully and completely.
2. For commercial use only.
3. Do not touch hot surfaces.
4. Protect against electrical shock by keeping all cords, plugs, and other electrical components away from water or other liquids.
5. Unplug this unit when not in use and before cleaning.

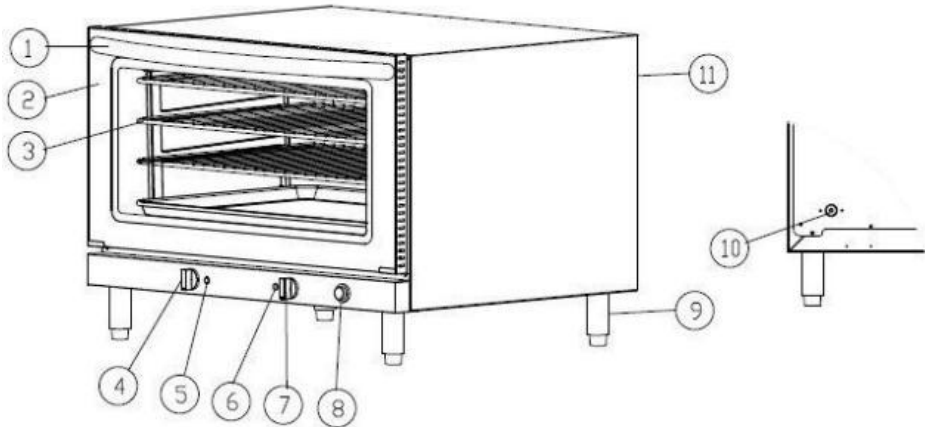
6. Allow the unit to cool before putting on or taking off parts.
7. Do not operate this or any appliance with a damaged electrical cord or plug.
8. Do not operate this or any appliance after it has malfunctioned or been damaged in any way.
9. Do not use outdoors.
10. Do not place on or near a hot gas or electric burner.
11. Attach plug to appliance first, then plug electrical cord into the wall outlet.
12. Disconnect the unit by turning the temperature and timer control to "OFF", then removing the electrical plug from the wall outlet.
13. Do not use appliance for any application other than intended use.
14. Do not insert metal utensils or over sized foods into this unit as they may cause a fire and heighten the risk of electrical shock.
15. Do not store any item on top of this unit when in operation.
16. Do not allow this oven to touch or be covered by flammable material, such as curtains, draperies, walls, etc., when in operation.
17. Do not clean with metal scouring pads as pieces can break off and touch electrical components, heightening the risk of electrical shock
18. Never place materials such as paper, cardboard, plastic, etc. in this oven.
19. Do not cover interior of this unit with metal foil as it may cause the oven to overheat.
20. Avoid scratching the surface or nicking the edges of this unit's tempered, safety glass door. If the oven door has a scratch or nick, contact customer service before use.
21. Turn the appliance off by turning the temperature and timer control to the "OFF" position.
22. Note that the use of accessories not recommended by the manufacturer may result in injury.
23. Children should be supervised to ensure that they do not play with the oven.
24. This appliance is not intended for use by persons (including children) with reduced physical sensory or mental capabilities, or lack of experience and knowledge, unless they have been given supervision or instruction concerning use of the appliance by a person responsible for their safety.
25. When using the appliance in shops, snack bars, hotels etc., check the

voltage and outlet to make sure the appliance is correctly connected with power.

26. Place unit on a flat surface that is well ventilated. The appliances must be supervised during operation, DO NOT leave appliance without powering off.

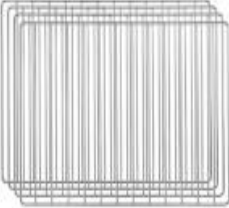
NOTE: Save these instructions for future reference.




## Identification of Key Parts



<b>1. Handle</b>	<b>7. Thermostat</b>
<b>2. Door assembly</b>	<b>8. Humidity button(only for FD-66S/66G/100)</b>
<b>3. Tray</b>	<b>9. Foot(only for FD-66S/66G/ 100)</b>
<b>4. Timer</b>	<b>10. Water pipe connector(ONLY for FD-66S/66G/ 100)</b>
<b>5. Power light</b>	<b>11. Shell</b>
<b>6. Heating light</b>	

## Identification of Accessories

	<b>Roasting Racks</b> <ul style="list-style-type: none"><li>- FD-21H(3pcs) 13.7"x11.0"/348x280mm</li><li>- FD-47H(4pcs) 18.1"x13.0"/460x330mm</li><li>- FD-66H(4pcs) 18.1"x13.0"/460x330mm</li></ul>
--	--

	<p><b>Sheet pan</b></p> <ul style="list-style-type: none"> <li>- Quarter Size for FD-21H(1pcs)</li> <li>- Half Size for FD-47H/66H (1pcs)</li> </ul>
	<p>1x Pair of Gloves</p>
	<p>1x Bread Clip</p>

## INSTALLATION OF YOUR OVEN

All electrical connections must comply with specification and power standard, the installation operation must be done by qualified personnel.

All models are countertop type, put the oven in a flat surface, and leave enough space (suggested 100mm&4”) for the air ventilation.

FD-66S/FD-66G/FD-100 is with humidity control function, please install the oven close to water source and connect the faucet well before using.

**WARNING:** Keep a minimum distance of 10 cm from walls or other flammable objects.

## BEFORE USING YOUR OVEN

**Before cooking anything in your oven for the first time, please follow these simple instructions:**

Using a small amount of detergent, wash the handle and roasting racks with soapy water. (NOTE: Do not use a spray or abrasive polishing agent.) Gently

wipe down interior walls with a damp cloth. While washing this unit, do not touch the electric heating element. Do not soak the inside of the oven with water.

After washing and thoroughly drying the surfaces noted above, place the roasting racks back inside the oven.

Close the oven door and preheat the oven to its highest temperature setting for 5 minutes.

Turn off the heating elements and open the oven door in order to remove any smoky residue from inside the oven. The heating elements are well lubricated and this initial use will help burn off the extra grease. A light amount of smoke is normal during this process.

## Using Your Oven

To start your oven, you need to turn on the temperature dial to set your desired cooking temperature, and turn on the timer dial to set the cooking time.

Push the humidity button to get the desired humidity for the foods.

To make the surface of the food to be colored, you need to take out the baking pans or racks with gloves and turn the outside of the baking pans or racks to the inside of the oven.

**CAUTION:** During the baking process, make sure that no metal accessory comes in contact with the electric heating elements.

**CAUTION:** Foods baked in this oven will be hot. Wear protective hand coverings when reaching into oven to retrieve food.

## Typical Operation Sequence

ACTION	RESULT
Plug in your oven	Power is connected but power light will go on after turning the temperature dial
Adjust temperature control knob	Heating indicator light comes on; heating elements begin to heat up

Temperature light shuts off	Oven has reached desired temperature
Load product into oven	Product will begin to cook
Set timer to desired cook time between 0-120 min	Timer starts timing down
Timer reaches zero	Timer chimes
Unload oven	Product will be cooked/hot; use caution removing it from the oven

## Timer

The range of the timer on this unit is 0-120 minutes. Turning the timer to the "0" position, the cooking time is over and the timer will "ding" to alert.

If you need to reset the baking time while the oven is in operation, simply turn the timer to a new position. The oven will reset the time according to the revised requirement without needing to be turned off.

When the set baking time has been reached, the oven will chime and the heating elements will automatically shut off.

## Temperature Control Knob

The temperature range of this unit is 0-260 degrees Celsius on models . This thermostatic switch controls the temperature inside the oven and helps to maintain the proper temperature during various heating, roasting, and baking applications.

## Power&Temperature Indicator Light

Anytime this appliance is connected to the power supply with the temperature knob turned on, the power and heating indicator light will be on and the fan motor will begin to operate



## Protection Component

If the temperature of this oven reaches an unsafe limit, the electrical components will shut off and it will stop operating in order to prevent overheating.

## Cleaning & Maintaining Your Oven

To clean, first remove the power cord's plug from the wall outlet. Wait for the oven to cool. Use a damp cloth or sponge to gently wipe down the inside of the oven. Avoid soaking the inside of the oven or washing it in running water as this will cause serious damage to the unit.

## Specification

MODEL	POWER SUPPLY	PLUG
FD-21XY	220-240V,50Hz,2100W	CE
FD-21	120V,60Hz,1440W	UL
FD-47XY	220-240V,50Hz,2500W	CE
FD-47	120V,60Hz,1600W	UL
FD-66XY	220-240V,50Hz,2800W	CE
FD-66	120V,60Hz,1800W	UL

## Trouble shooting

**Problem:** The oven does not become hot after being switched on.

- Be sure that the timer switch is set.
- Be sure that the temperature control knob is set.

**Problem:** There is a metallic sound when the oven is in use.

- Do not attempt to dismantle the oven.
- Contact your service agent right away to examine the fan.

**Problem:** Food is often overcooked or burned, even when cooked according to the recipe.

- Check that the fan motor is operating normally.
- Contact your service agent to examine the temperature control knob.

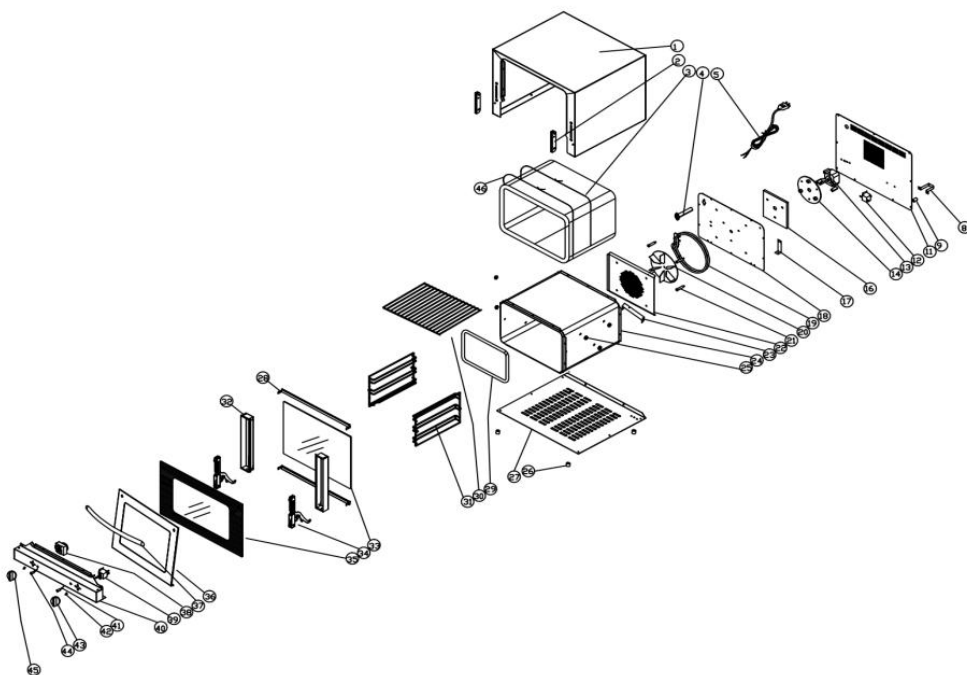
**Problem:** There is a loud pop sound or the unit stops working.

**Possible cause:** Reset switch tripped. This switch is a safety switch designed to prevent the oven from overheating. If it was triggered the unit was run at too high of a temperature for too long.

**Solution:** The reset switch is located on the back of the oven, covered by a black plastic screw cap. Remove the cap, press the switch.



## Exploded view and part list



NO	Part name
1	shell
2	hinge wheels
3	insulation
4	exhaust pipe
5	power cord
6	terminal
8	space holder
9	wire buckle
11	rear board
12	thermostat
13	motor
14	motor bracket
16	motor insulation
17	joint plate
18	middle board

NO	Part name
19	heating element
20	fan blade
21	connection shaft
22	wind board
23	sensor fixture
24	interior
25	grid screws
26	foot
27	bottom board
28	up and down door trim
29	gasket
30	roasting rack
31	grid
32	left and right door trim

NO	Part name
33	inner glass
34	hinge assembly
35	outer glass
36	door liner
37	handle
38	timer
39	thermostat 2
40	control panel
41	heating light
42	knob shaft
43	temperature knob
44	power light
45	timer knob
46	insulation wire ties

**VEVOR**®

**TOUGH TOOLS, HALF PRICE**

**Technical Support and E-Warranty Certificate**

**[www.vevor.com/support](http://www.vevor.com/support)**

**Made In China**