

# **VEVOR<sup>®</sup>**

## **TOUGH TOOLS, HALF PRICE**

Technical Support and E-Warranty Certificate

[www.vevor.com/support](http://www.vevor.com/support)

# **SPRAY PAINT BOOTH USER MANUAL**

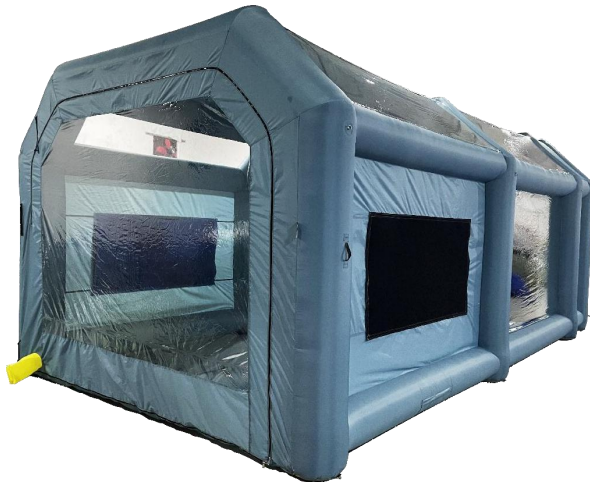
We continue to be committed to offering tools at competitive prices. "Save Half", "Half Price", or any other similar expressions used by us only represent an estimate of savings you might benefit from buying certain tools with us compared to the major top brands and do not necessarily mean to cover all categories of tools offered by us. You are kindly reminded to verify carefully when placing an order with us if you are saving half in comparison with the top major brands.

# VEVOR®

## SPRAY PAINT BOOTH

**MODEL:4X3X2.75 / 6X3X2.5 / 7X4X2.75**

**8X4.5X3.3 / 8.5X4.8X3.3 / 10X6X4**



### NEED HELP? CONTACT US!

Have product questions? Need technical support? Please feel free to contact us:

✉ [CustomerService@vevor.com](mailto:CustomerService@vevor.com)

This is the original instruction, please read all manual instructions carefully before operating. VEVOR reserves a clear interpretation of our user manual. The appearance of the product shall be subject to the product you received. Please forgive us that we won't inform you again if there are any technology or software updates on our product.

# 1、 Safe Instructions



## **WARNING:**

- 1) Avoid using this product in rain, strong wind, hail, and other bad weather.
- 2) Avoid sharp points, blades, and other items to scratch the product.
- 3) Keep away from fire sources.
- 4) The air inside the tent is scarce, so good ventilation must be ensured when painting inside the tent.
- 5) Due to the large size of this product, installation requires 2 to 4 people to assist.



**CAUTION:** Carefully read instructions and procedures for safe operations.

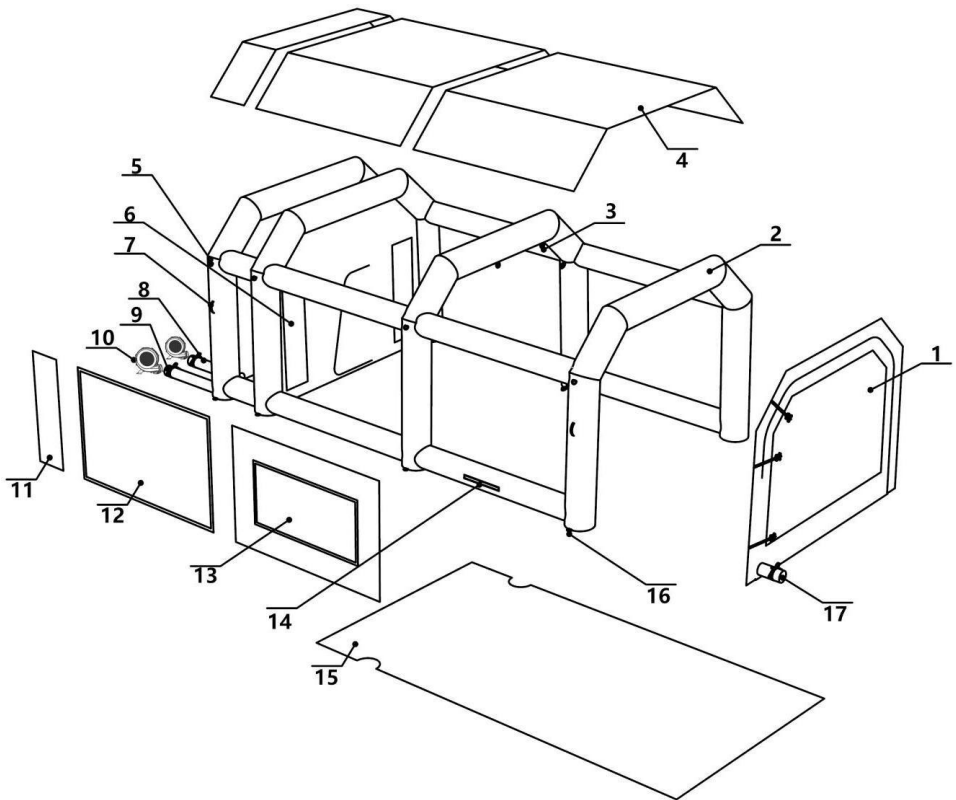
## 2、PRODUCT INTRODUCTION

Model SPEC.	4X3X2.75	6X3X2.5	7X4X2.75	8X4.5X3.3	8.5X4.8X3.3	10X6X4
Size	13*10*9ft	20*10*8ft	23*13*8.5ft	26*15*11ft	28*16*11ft	33*20*13ft
Material	210D Oxford- fabric	210D Oxford- fabric	210D Oxford- fabric	210D Oxford- fabric	210D Oxford- fabric	210D Oxford- fabric
Color	Blue	Blue	Blue	Blue	Blue	Blue
Input voltage	120V~ 60Hz(USA) 220-240V~ 50Hz(EUR/ AUS)	120V~ 60Hz(USA) 220-240V~ 50Hz(EUR/ AUS)	120V~ 60Hz(USA) 220-240V~ 50Hz(EUR/ AUS)	120V~ 60Hz(USA) 220-240V~ 50Hz(EUR/ AUS)	120V~ 60Hz(USA) 220-240V~ 50Hz(EUR/ AUS)	120V~ 60Hz(USA) 220-240V~ 50Hz(EUR/ AUS)
Inflation blower power	950W	750W	750W	950W	950W	1100W
Ventilation blower power	/	480W (USA)	480W (USA)	750W (USA)	750W (USA)	950W (USA)
	/	550W(EUR /AUS)	550W(EUR /AUS)	750W(EUR /AUS)	750W(EUR /AUS)	950W(EUR /AUS)
G.W	25.4kg	36.2kg	44.4kg	56kg	57.4kg	74.6kg
N.W	21.6kg	31kg	39kg	50kg	51.2kg	67.6kg

### 3、PACKAGE CONTENT

model Parts	4X3X2.75	6X3X2.5	7X4X2.75	8X4.5X3.3	8.5X4.8X3.3	10X6X4
Spray paint booth	x1	x1	x1	x1	x1	x1
inflation blower	x1	x1	x1	x1	x1	x1
Ventilation blower	/	x1	x1	x1	x1	x1
Storage bag	x1	x1	x1	x1	x1	x1
Sand bags	x4	x4	x4	x4	x4	x6
Stakes	x4	x4	x4	x4	x4	x6
Ropes	x4	x4	x4	x4	x4	x6
Pack of repair patches	x1	x1	x1	x1	x1	x1

## 4.PRODUCT DIAGRAM



- |                            |                                   |
|----------------------------|-----------------------------------|
| 1. Front Door              | 2. Air Column                     |
| 3. Light Hook              | 4. Ceiling                        |
| 5. Rope Ring               | 6. Activated Carbon Filter Cotton |
| 7. Handle                  | 8. Ventilating Tube               |
| 9. Air Column Filling Tube | 10. Air Blower                    |
| 11. Transparent Window     | 12. Emergency Escape Window       |
| 13. Double Filter Cotton   | 14. Exhaust Zipper Port           |
| 15. Bottom                 | 16. Metal Ring                    |
| 17. Power Line Inlet       |                                   |

## 5.INSTALLATION INSTRUCTION

1. Unfold the tent and spread it out on a clean and level ground.



2. Zip up both sides of the product.



3. Tie the rope to the rope ring.



4. Tie the air tube to the air blower outlet, as shown in the figure. 1 is the ventilation blower; 2 is the inflation blower.



5. When the tent is inflated, please fasten the tent with stakes at the bottom metal rings.



6. When the assembly is complete, please tie the windproof rope to the fixed object.



## 6、 Storage Instruction

It is recommended to store the product when it is dry to avoid dampness and mildew.

It is recommended to put them in a storage bag and store them in a dry environment.

Keep away from sharp objects to avoiding scratching.

After wet weather, it is recommended to air the tent on sunny days.

1. Unzip and open the front and back doors.



2. Turn off the air blowers and open both exhaust zipper ports.



3. Drain all air and flatten the tent as shown below.



4. Roll up the tent, as shown in the figure



5. Roll up the tent with ropes.



6. Put it into a storage bag and place in dry environment.





## 7 Direction for Use

- 1) This product is only a simple tool room for painting and can not be used in windy and rainy days.
- 2) The product requires the blower to keep inflating , and do not to cut off the power supply.
- 3) In case of power failure, please escape through the front door or safety window or back door.
- 4) In case of emergency, you can cut through the tent with a knife to escape.
- 5) It is recommended to choose a flat and clean open ground to use this product.
- 6) If the tent shakes too much in the wind, please use the windproof ropes and stakes to fix the tent.
- 7) After repeated use, the ventilation of the tent may become poor. At this time, the inner blue filter cotton can be removed or replaced to improve the ventilation.
- 8) If it is difficult to inflate the tent, zip up the front and back doors, turn on the Ventilation blower to inflate the tent, and then turn on the Inflation blower to fully inflate the tent.

## 8.Maintenance, Repair, and Troubleshooting

- 1) When the product is finished, it is recommended to dry the tent and put it away.
- 2) If the product is stored in a humid environment, it is recommended to take it out to open it in sunny weathers.
- 3) If the product is torn, please repair it with the accompanying material and tools.

### Troubleshooting

problem	cause	solution
Blower does not work	<ul style="list-style-type: none"><li>· Voltage mismatch</li><li>· No power supply</li><li>· The blower switch is not on</li></ul>	<ul style="list-style-type: none"><li>· Voltage need to match</li><li>· Turn the power</li><li>· Turn on the blower</li></ul>
Lack of tent pressure	<ul style="list-style-type: none"><li>· Voltage instability</li><li>· The air tube is connected to a wrong blower</li><li>· Both exhaust ports are not zipped properly</li></ul>	<ul style="list-style-type: none"><li>· Supply a stable voltage</li><li>· Connect the air tube to the inflation blower</li><li>· Zip both sides of the exhaust ports</li></ul>

Importer: WAITCHX

Address: 250 bis boulevard Saint-Germain 75007 Paris

Importer:  
FREE MOOD LTD

Address: 2 Holywell Lane, London, England, EC2A 3ET

<b>EC</b>	<b>REP</b>	EUREP GmbH Unterlettenweg 1a, 85051 Ingolstadt, Germany
-----------	------------	---

<b>UK</b>	<b>REP</b>	EUREP UK LTD UNIT 2264, 100 OCK STREET, ABINGDON OXFORDSHIRE ENGLAND OX14 5DH
-----------	------------	---

Made in China

Manufacturer: Guangzhou Yijia Inflatable Co., Ltd

Add: No. 1, Lirong Road, Shiling Town, Huadu District, Guangzhou, China



**VEVOR<sup>®</sup>**

**TOUGH TOOLS, HALF PRICE**

Technical Support and E-Warranty Certificate

[www.vevor.com/support](http://www.vevor.com/support)