

VEVOR[®]

TOUGH TOOLS, HALF PRICE

Technical Support and E-Warranty Certificate www.vevor.com/support

PALLET FORK

USER MANUAL

We continue to be committed to provide you tools with competitive price.

"Save Half", "Half Price" or any other similar expressions used by us only represents an estimate of savings you might benefit from buying certain tools with us compared to the major top brands and does not necessarily mean to cover all categories of tools offered by us. You are kindly reminded to verify carefully when you are placing an order with us if you are actually saving half in comparison with the top major brands.

VEVOR®

TOUGH TOOLS, HALF PRICE

PALLET FORK

MODEL:HC43-2000T,HC60-2000T,HC60-4000T



NEED HELP? CONTACT US!

Have product questions? Need technical support? Please feel free to contact us:

 CustomerService@vevor.com

This is the original instruction, please read all manual instructions carefully before operating. VEVOR reserves a clear interpretation of our user manual. The appearance of the product shall be subject to the product you received. Please forgive us that we won't inform you again if there are any technology or software updates on our product.

SAFETY INSTRUCTIONS



WARNING:

1. Read this material before using this product. Failure to do so can result in serious injury.
2. Do not exceed working capacity for pallet fork.
3. Be sure the Pallet Forks are full installed, screw rods are in proper working order and clamped tightly to the bucket.
4. Before lifting, please check the load's weight, never exceed the maximum lift capacity of the forks or the machine.
5. Lower the pallet forks completely to the ground prior to dismantling from the machine. Understand and comply with the manufacturer's recommendations for dismantling and parking your machine.
6. Always evenly load and secure pallet forks in such a way that they will not shift, tilt or fall.
7. After use, please dry before storage to avoid rusting of product.
8. Procedures not specifically explained in this manual must be performed only by a qualified technician.

To prevent serious injury from tool failure, do not use when it is damaged:

- 1) Please check the overall condition of the product before each use.

Is the screw thread damaged?

Is the fork deformed?

Is the weld cracked?

Whether there are cracks in all parts.

Before each use, check whether the pallet fork works properly before actual use. If the pallet fork doesn't work properly, please follow the inspection instructions to see if the problem occurs.

- 2) To prevent serious injury, be careful when troubleshooting the faulty pallet fork, solve all problems before use. If the solution provided in the

troubleshooting guide cannot solve the problem, please ask qualified technicians to check the pallet fork before use.

3) Make sure that the pallet fork is safe enough to continue to use it. Wish that the pallet fork can bring you convenience at work.



CAUTION:

Carefully read instructions and procedures for safe operations.

Save This Manual

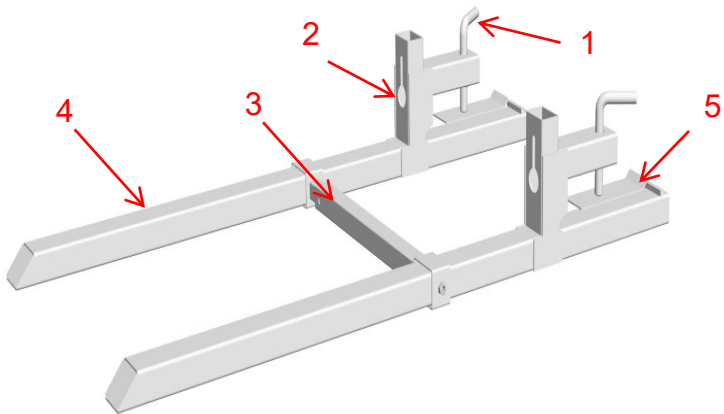
MODEL AND PARAMETERS

| Model SPEC. | HC43-2000T | HC60-2000T | HC60-4000T |
|---------------------------------|--------------------------|--------------------------|--------------------------|
| Material | Carbon Steel | Carbon Steel | Carbon Steel |
| Surface Treatment | black powder-coat finish | black powder-coat finish | black powder-coat finish |
| Working Capacity | 2000lbs | 2000lbs | 4000lbs |
| Fork Size(L*W) | 76*7cm | 109*7cm | 109*10cm |
| Stabilizer Bar Adjustment Range | 49.5~91.5cm | 49.5~91.5cm | 49.5~91.5cm |
| Screw Rod | M16*140mm Grade 8.8 | M16*140mm Grade 8.8 | M16*140mm Grade 8.8 |

COMPONENTS

| Model Parts. | HC43-2000T | HC60-2000T | HC60-4000T |
|-----------------|------------|------------|------------|
| Pallet fork | ×2 | ×2 | ×2 |
| Clamping Plate | / | ×2 | ×2 |
| Stabilizer Bar | ×2 | ×2 | ×2 |
| User Manual | ×1 | ×1 | ×1 |

STRUCTURE DIAGRAM



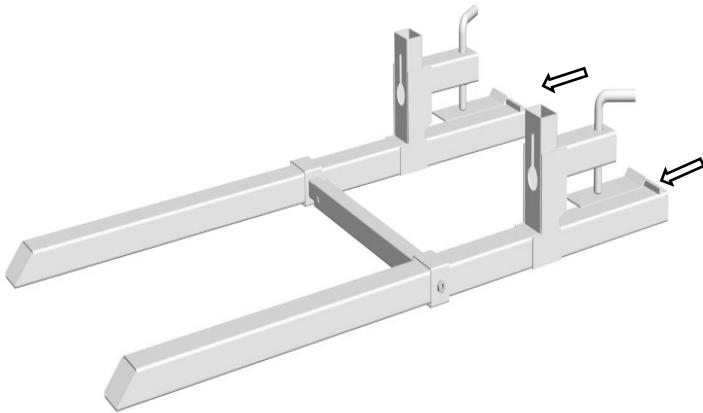
- 1.Screw Rod 2. hole 3. Stabilizer Bar 4. Fork
5. Clamping Plate

INSTRUCTIONS

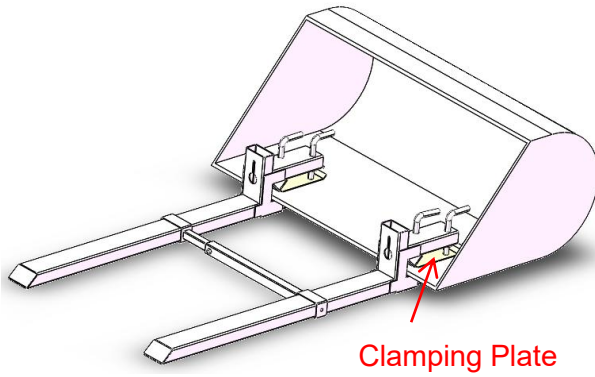
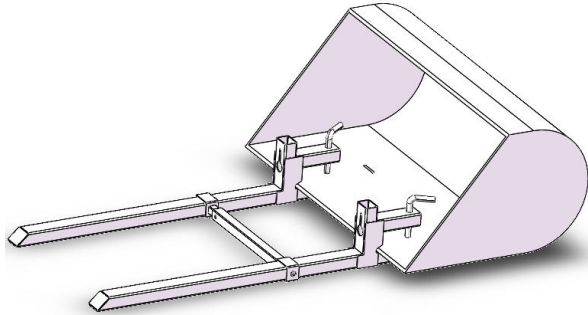
Notice:

1. Do not use pallet forks for digging, pushing or pulling objects.
2. It is recommended that all objects be secured and lifted on pallets. Unsecured loads can cause damage to the forks or bucket.
3. Be sure that loads are evenly distributed and centered. Lifting loads that are unevenly distributed can cause damage to the forks or bucket.
4. Keep load slightly tilted back to distribute weight towards the base of the forks.
5. Do not lift loads that exceed the height of the bucket.

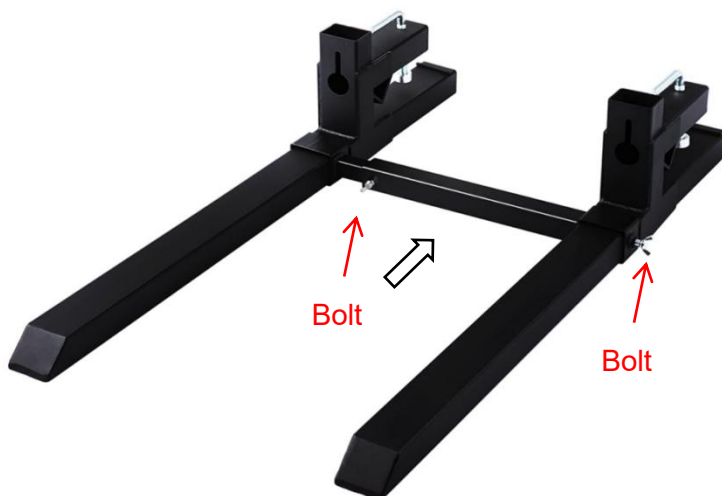
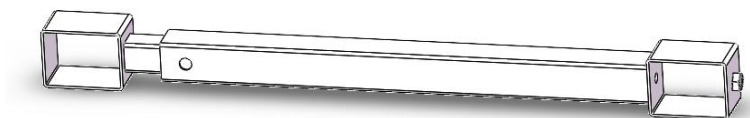
Step 1. Slide the fork into the edge of the bucket.



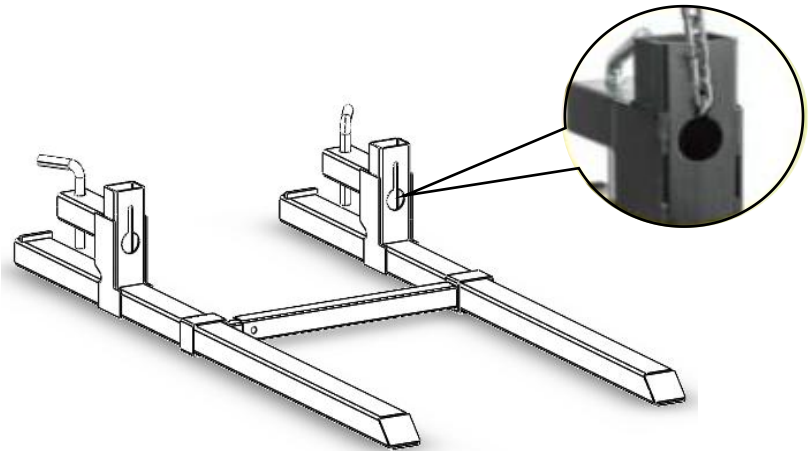
Step 2. twist the screw rod and clamp it down to lock.



Step 3. Assemble the two parts of the stabilizer bar, and then put it on the forks, tighten the bolts.



Step 4. According to the actual conditions, the iron chain can be passed through the two holes to strengthen the fixation and to increase the bearing capacity.



Note:

Chain Holes Design for Heavy Lifting

You can use chains to secure loads and to act as a stabilizer for heavy equipment or the larger load that you are moving.

Ensure you will get a secure lift, even when dealing with heavy objects, provide higher work efficiency and safety for your clamp on pallet forks

Step 5. Usage caution: please put the loads behind the pallet so as not to damage the bucket and fork.



Transport and placement

- Keep the forks low, just a few inches from the ground is best.
- Be aware of everything around you. Avoid obstructions and always give pedestrians the right of way.
- Drive at a safe speed at all times. Take it easy around corners and avoid quick stops.
- Travel in reverse if the load obstructs your view.
- Avoid adjusting the height of a load while in motion.
- Always be aware of changes in terrain. When working on inclines, declines, or on a hill-side, do not raise the load too high.
- Slowly move load into position.
- Make sure load is square and straight.
- Stop the movement completely when placing a load.

- Be sure load is tilted forward to level.
- Place load and relieve all weight from forks.
- Scan area and be sure no pedestrians or obstructions are behind you.
- Once load is settled, slowly back out.
- Do not turn machine until both forks have cleared the pallet.
- Lower forks to a safe traveling height before moving again. Three to five inches is best.

MAINTENANCE

- Do not exceed working capacity.
- After use, please clean and dry the product and store in a dry ventilated place.

**Imported to USA:VEVOR STORE INC, 9448 RINCHMOND PL #E
RANCHO CUCAMONGA, California, 91730 United States of America**

**Imported to AUS:SIHAO PTY LTD, 1 ROKEVA STREETEASTWOOD
NSW 2122 Australia**

Made In China

VEVOR[®]
TOUGH TOOLS, HALF PRICE

Technical Support and E-Warranty Certificate
www.vevor.com/support