

VEVOR[®]

TOUGH TOOLS, HALF PRICE

Technical Support and E-Warranty Certificate www.vevor.com/support

Anvil

USER MANUAL

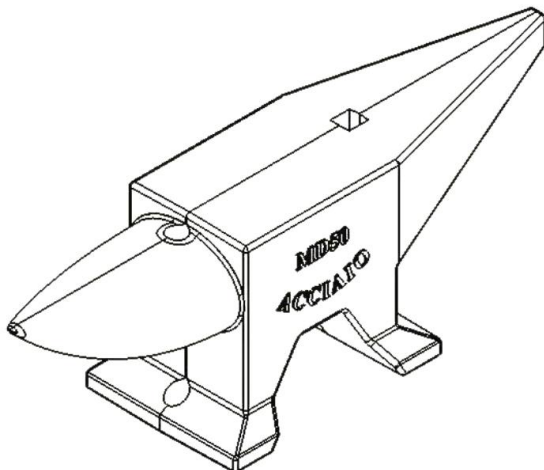
We continue to be committed to provide you tools with competitive price.

"Save Half", "Half Price" or any other similar expressions used by us only represents an estimate of savings you might benefit from buying certain tools with us compared to the major top brands and does not necessarily mean to cover all categories of tools offered by us. You are kindly reminded to verify carefully when you are placing an order with us if you are actually saving half in comparison with the top major brands.

VEVOR[®]

TOUGH TOOLS, HALF PRICE

ANVIL



Note: The image above is one of the series' products and doesn't depict all products' appearances. The actual product you receive determines its look.






NEED HELP? CONTACT US!

Have product questions? Need technical support? Please feel free to contact us:

Technical Support and E-Warranty Certificate
www.vevor.com/support

This is the original instruction, please read all manual instructions carefully before operating. VEVOR reserves a clear interpretation of our user manual. The appearance of the product shall be subject to the product you received. Please forgive us that we won't inform you again if there are any technology or software updates on our product.

Important safety instructions

	Warning - To reduce the risk of injury, user must read instructions manual carefully.
	Warning- Be sure to wear ear protectors when using this product.
	Warning- Be sure to wear eye protectors when using this product.
	Warning- Be sure to wear dust masks when using this product.
	Warning- Be sure to wear gloves when using this product.

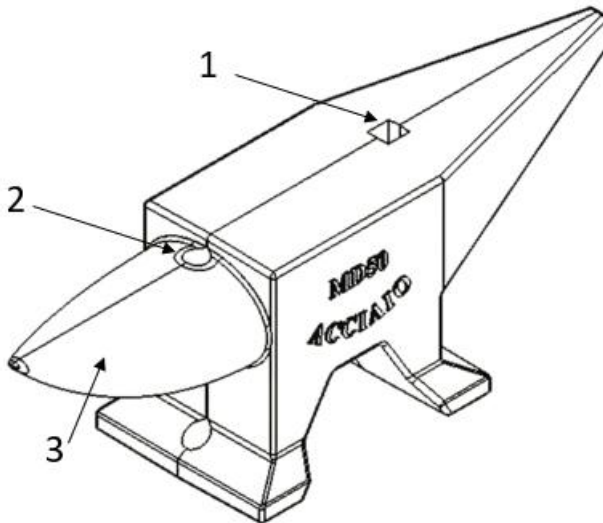
WARNING!

1. Use the product only after receiving professional metalworking training.
2. Wear necessary personal protective equipment such as safety goggles, earplugs, and protective gloves during use.
3. Ensure that the workspace remains clean, dry, and well-ventilated during operation.
4. Do not use the anvil in flammable, explosive, or damp environments.
5. Ensure that the anvil is securely installed and stable to prevent movement or tipping during use.
6. Follow safe operating procedures when using the anvil, avoiding excessive force or incorrect techniques.
7. Fix it first when using it. So as not to be injured.
8. Keep away from children.

2. Product Overview

This casting anvil is manufactured using high-quality casting techniques, providing blacksmiths and metalworkers with a sturdy and stable work surface. It is suitable for various processes such as forging, hammering, shaping, and cutting metal materials. This product features excellent durability and impact resistance, bringing higher efficiency and accuracy to your metalworking tasks.

3. Product Structure



1. Hardy hole : The Hardy hole hole on the anvil is used to insert other tools, and other tools can be firmly connected to the anvil for further processing.

2. Pritchel hole: The Pritchel hole can be punched out on the product with a chisel or other tools.

3. Horn: The horn is specially designed to help blacksmiths shape metal pieces into round or curved shapes.

4. Parameter

Items	Model	Product Material	Packaging Material	Net weight	Hardy hole size (mm)	Pritchel hole size (mm)	Horn
1	55LBSTZ0	Cast iron	Carton	25kg/55 lbs	25×25	×	√
2	TZ45KGTZ	Cast iron	Carton	45kg/100 lbs	30×30	×	√
3	TZ11KGTZ	Cast iron	Carton	11kg/24 lbs	×	×	√
4	GZ60KGGZ	Cast steel	Wooden box	60kg/132 lbs	29×29	φ26	√
5	30KGGZ00	Cast steel	Carton	30kg/66 lbs	23×23	φ20	√
6	GZ10KGGZ	Cast steel	Carton	10kg/22 lbs	16×16	φ12	√
7	TZHS100LB	Cast iron	Carton	45kg/100 lbs	30×30	×	√
8	TZHS22LB	Cast steel	Carton	10kg/22 lbs	16×16	φ12	√
9	TZHS88LB	Cast steel	Wooden box	40kg/88 lbs	25×25	φ25	√
10	TZHS110LB	Cast steel	Wooden box	50kg/110 lbs	20×20	φ20	√
11	TZHS132LB	Cast steel	Wooden box	60kg/132 lbs	29×29	φ26	√
12	GZ50KGGZ	Cast steel	Wooden box	50kg/110 lbs	20×20	φ20	√
13	GZ20KGGZ	Cast steel	Carton	20kg/44lbs	20*20	φ20	√
14	GZ40KGGZ	Cast steel	Carton	40kg/88 lbs	25×25	φ25	√
15	TZ10KGTZ	Cast iron	Carton	10kg/22 lbs	×	×	√
16	TZHS25LB	Cast iron	Carton	11.2kg/25lbs	×	×	√

5. User Guide

1. Place the anvil on a flat, sturdy base, ensuring it is securely installed and resistant to sliding.
2. Heat the metal material to be forged to an appropriate temperature.
3. Place the heated metal material on the anvil surface and use a hammer or other tools to strike, shape, or cut it.
4. Reheat and forge the metal material as needed until the desired shape and dimensions are achieved.
5. After using, allow the metal material to cool naturally to room temperature.

6. Maintenance

1. If you do not use this tool for a long time, please add anti-rust oil on the surface.
2. Store the anvil in a dry, well-ventilated area away from direct sunlight.

Address: Baoshanqu Shuangchenglu 803long 11hao 1602A-1609shi
Shanghai

Imported to AUS: SIHAO PTY LTD. 1 ROKEVA STREETEASTWOOD
NSW 2122 Australia

Imported to USA: Sanven Technology Ltd. Suite 250, 9166 Anaheim
Place, Rancho Cucamonga, CA 91730



SHUNSHUN GmbH
Römeräcker 9 Z2021,76351
Linkenheim-Hochstetten, Germany



Pooledas Group Ltd
Unit 5 Albert Edward House, The
Pavilions Preston, United Kingdom

Made In China

VEVOR[®]
TOUGH TOOLS, HALF PRICE

Technical Support and E-Warranty Certificate
www.vevor.com/support