

VEVOR[®]

TOUGH TOOLS, HALF PRICE

Support and E-Warranty Certificate <https://www.vevor.com/support>

FORKLIFT PLATFORM

USER MANUAL

Applicable model: AQL36-36/AQL45-43

We continue to be committed to provide you tools with competitive price.

"Save Half", "Half Price" or any other similar expressions used by us only represents an estimate of savings you might benefit from buying certain tools with us compared to the major top brands and does not necessarily mean to cover all categories of tools offered by us. You are kindly reminded to verify carefully when you are placing an order with us if you are actually saving half in comparison with the top major brands.

VEVOR®

TOUGH TOOLS, HALF PRICE

FORKLIFT PLATFORM



AQL36-36



AQL45-43

NEED HELP? CONTACT US!

Have product questions? Need technical support? Please feel free to contact us:

 CustomerService@vevor.com

This is the original instruction, please read all manual instructions carefully before operating. VEVOR reserves a clear interpretation of our user manual. The appearance of the product shall be subject to the product you received. Please forgive us that we won't inform you again if there are any technology or software updates on our product.

SAFE INSTRUCTIONS

This equipment must be used with care by capable and competent individuals under supervision, if necessary. The use of any equipment, including this one, involves the potential risk of injury.

You accept and assume full responsibility for any and all injuries, damages (both economic and non-economic), and losses of any type, which may occur, and you fully and forever release and discharge VEVOR, its insurers, employees, officers, directors, associates, and agents from any and all claims, demands, damages, rights of action, or causes of action, present or future, whether the same be known or unknown, anticipated, or unanticipated, resulting from or arising out of the use of said equipment.

VEVOR MAKES NO WARRANTY WHATSOEVER WITH RESPECT TO THE EQUIPMENT, INCLUDING ANY WARRANTY OF MERCHANTABILITY OR WARRANTY OF FITNESS FOR A PARTICULAR PURPOSE, WHETHER EXPRESS OR IMPLIED BY LAW, COURSE OF DEALING, COURSE OF PERFORMANCE, USAGE OF TRADE OR OTHERWISE. BUYER ASSUMES ALL LIABILITY IN USE OF THE EQUIPMENT.



WARNING:

1. Check whether the screws or pins are loose before use
2. The door buckle must be fastened firmly
3. The chain shall be fixed
4. The safety belt and safety rope shall be fixed
5. Minors are not allowed to enter the equipment!
6. When working, no one is allowed to stand under the forklift platform
7. Do not exceed the load capacity of the forklift platform

Failure to observe these warnings could result in severe injury or death.



CAUTION: carefully read instructions and procedures for safe operations.

PRODUCT INTRODUCTION

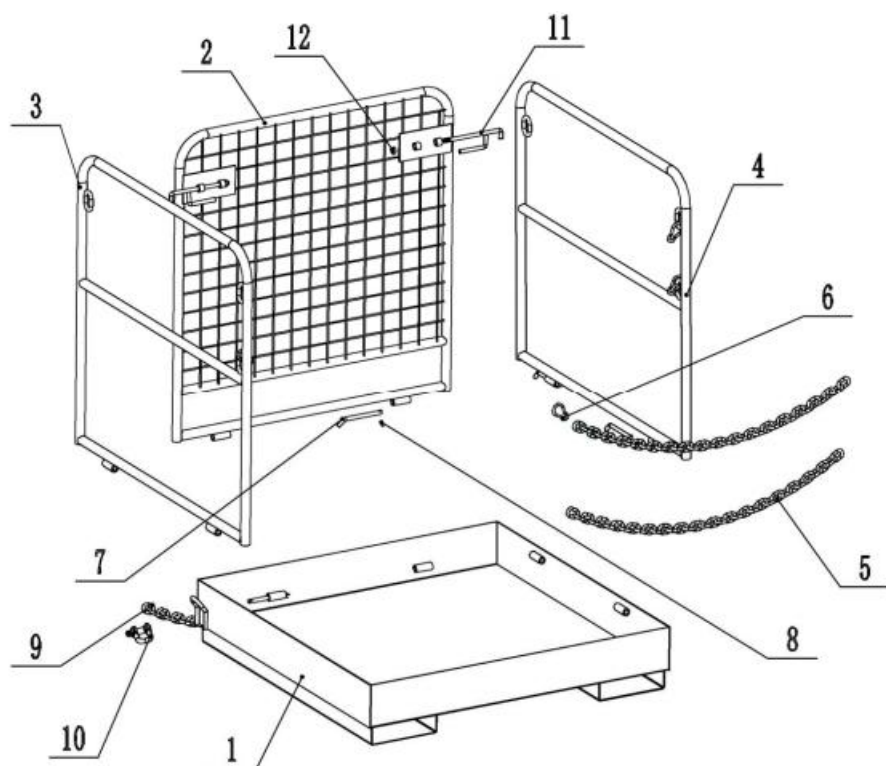
SPEC. \ MODEL	AQL36-36	AQL45-43
Product size	L36*W36*H37 inch	L45*W43*H80inch
Load Capacity	1200lbs	1500lbs
Fork slot	6.3*2.55inch	6.3*2.55inch
Floor	Non-slip floor, thickness: 1.5mm	Non-slip floor, thickness: 1.5mm
G.W	73.85lbs	136.68lbs
N.W	68.34lbs	130.07lbs

PACKAGE CONTENT

NO.	MODEL	AQL36-36	AQL45-43
	Parts		
1	Forklift Platform*1	Forklift Platform *1	
2	Safety Chain * 3	Elastic Rope with Hook*1	
3	User Manual *1	4" Swivel Casters*2 4" Directional Casters*2	
4	/	Iron Basket *1	
5	/	Safety Belt*1	
6	/	Non-Slip Adhesive Strip*3	
7	/	Safety Chain*1	
8	/	User Manual *1	

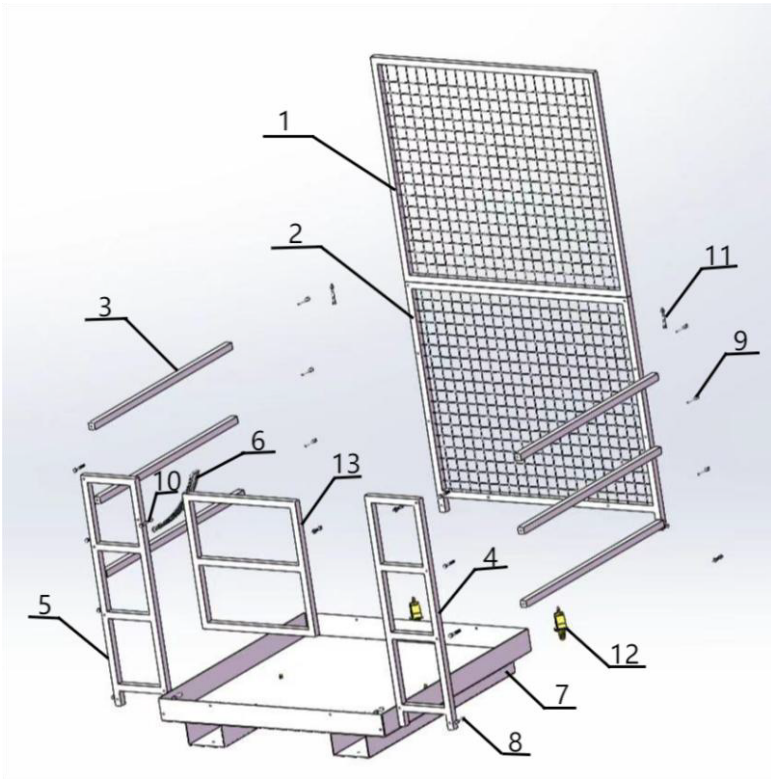
PRODUCT DIAGRAM

1) AQL36-36



#	Description	Qty	#	Description	Qty
1	Main Frame	1	7	Pin	6
2	Rear Railing	1	8	Cotter Pin	6
3	Left Railing	1	9	Safety Chain-1100	1
4	Right Railing	1	10	Chain Lock-1100	2
5	Safety Chain-900	2	11	Handle	2
6	Chain Lock-900	4	12	Nut M10	2

2) AQL45-43

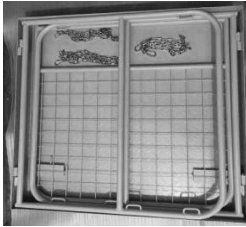


#	Description	Qty	#	Description	Qty
1	Upper guardrail	1	8	Screw with nut	8
2	Lower guardrail	2	9	screw	12
3	Side crossbar	6	10	Screw with nut	1
4	Right mast	1	11	Screw with nut	2
5	Left mast	1	12	casters	4
6	Safety latch	1	13	emergency door	1
7	base	1			

INSTALLATION INSTRUCTION

AQL36-36

1. Open the package and check whether the accessories are complete.



2. Open the guardrails on both sides in turn.



3. Open the rear guardrail and keep it upright.



4. Adjust the safety catch to connect and fix the left guardrail with the rear guardrail.



5. Adjust the safety catch to connect and fix the right guardrail and the rear guardrail.

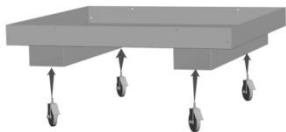


6. Fix the guardrails on both sides with chains.



AQL45-43

1. Install the four casters on the base in turn.



2. Fix the front side guardrail and safety door on the base.



5. Finally, connect the other safety mesh with the lower mesh, and tighten all bolts.



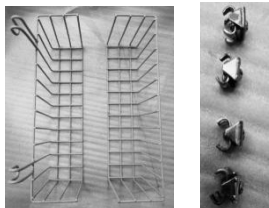
3. Fix the rear safety net on the opposite side of the safety door.



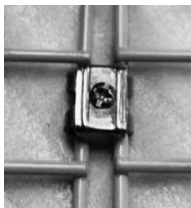
4. Connect 6 cross bar tubes to the front and rear guardrails in turn.



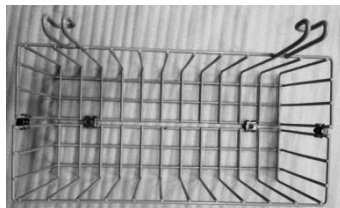
1.Prepare the components of the iron basket.



2.Lock the screw as shown in the picture.



3.Lock the four screws as shown in the picture.



OPERATION GUIDE

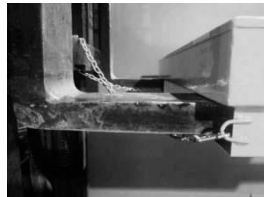
Before use, please check whether there is water stain on the skid plate and remove the residual water stain to prevent personnel from slipping. Then check whether all screws on the equipment are loose to ensure safe operation

Before entering the forklift platform, the personnel shall fix the safety belt and lock the safety lock after entering

Before lifting the forklift platform, make sure the forklift fork is inserted into the bottom of the platform as shown in the picture.



Before lifting the forklift platform, make sure that lock the forklift platform and forklift truck with safety chain as shown in the picture.



When lifting and lowering the forklift platform, the speed should be slow to avoid causing damage to it or causing injury to personnel.

Minors are not allowed to enter the equipment!

This forklift platform can help you complete air missions. Use it to change lights and repair roofs. You can also use it to draw the exterior of a house or to perform tree services. The cage has a baking varnish surface coating, so it can effectively prevent rust and corrosion.

TROUBLESHOOTING, MAINTENANCE AND REPAIR

1. Regularly check whether the screws are loose.
2. Regularly check whether the coating has scratch on the surface. The collision shall be repaired in time to prevent the product from rusting and corrosion, affecting the safety
3. Before each use, check whether the safety buckle can be effectively locked.

Manufacturer: Kunshan qiangjun electronic technology co., ltd

Address:Room 18, No.288, Shipu Lidu Road, Qiandeng Town, Kunshan City

VEVOR[®]

TOUGH TOOLS, HALF PRICE

Support and E-Warranty Certificate <https://www.vevor.com/support>