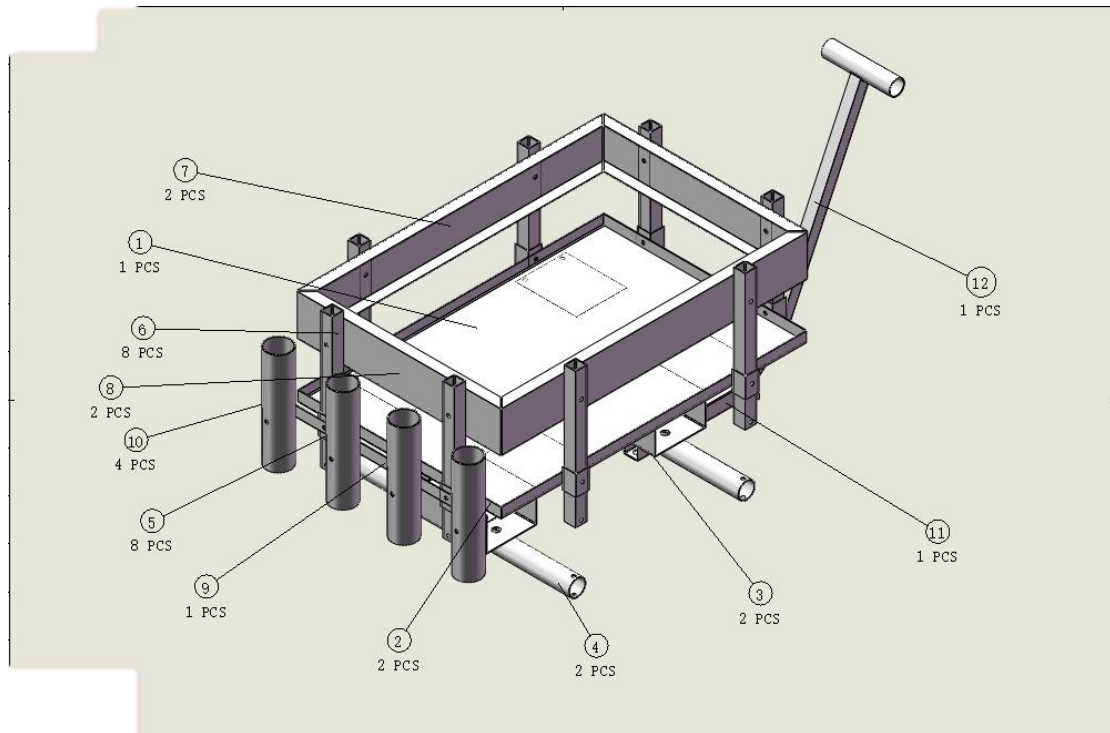


Product installation instructions



1. No. 1 base plate, quantity one.
2. No. 3 bottom bearing beam, quantity two.
3. No. 5. Site support frame, quantity eight.
4. No. 6 chassis support side support, qty eight.
5. No. 7 and 8 are the upper fence, and the quantity is two respectively.
6. No. 9 storage bin support, qty four.
7. No. 4 beam, qty two.
8. NO. 12, trailer handle, quantity one.

PS: 1. According to the serial number introduction of the product, connect the product with nuts in turn according to the introduction order, and finally install the wheel, which can be used normally.

2. No. 6 chassis support side support. There are two holes on the lower side, which can be used to adjust the height of the fence. Of course, you can install one hole downward and two holes above. It is convenient to adjust the height of the fence later.