

# **VEVOR<sup>®</sup>**

**TOUGH TOOLS, HALF PRICE**

Technical Support and E-Warranty Certificate [www.vevor.com/support](http://www.vevor.com/support)

## **LOW-PROFILE OIL DRAIN WITH PUMP USER MANUAL**

**Model:JOD607E/JOD610E**

We continue to be committed to provide you tools with competitive price. "Save Half", "Half Price" or any other similar expressions used by us only represents an estimate of savings you might benefit from buying certain tools with us compared to the major top brands and does not necessarily mean to cover all categories of tools offered by us. You are kindly reminded to verify carefully when you are placing an order with us if you are actually saving half in comparison with the top major brands.



# VEVOR<sup>®</sup>

## LOW-PROFILE OIL DRAIN WITH PUMP

MODEL: JOD607E/JOD610E



### NEED HELP? CONTACT US!

Have product questions? Need technical support? Please feel free to contact us:

 [CustomerService@vevor.com](mailto:CustomerService@vevor.com)

This is the original instruction, please read all manual instructions carefully before operating. VEVOR reserves a clear interpretation of our user manual. The appearance of the product shall be subject to the product you received. Please forgive us that we won't inform you again if there are any technology or software updates on our product.

## **▲WARNING**

1. Read carefully and understand all **ASSEMBLY AND OPERATION INSTRUCTIONS** before operating.
2. Failure to follow the safety rules and other basic safety precautions may result in serious personal injury.

## **GENERAL SAFETY RULES**



**WARNING:** Read and understand all instructions. Failure to follow all instructions listed below may result in **serious injury**.



**CAUTION:** Do not allow persons to operate or assemble this low-profile oil drain until they have read this manual and have developed a thorough understanding of how the low-profile oil drain works.



**WARNING:** The warning, cautions, and instructions discussed in this instruction manual cannot cover all possible conditions or situations that could occur. It must be understood by the operator that common sense and caution are factors which cannot be built into this product, but must be supplied by the operator.

### **WORK AREA**

- Keep work area clean, free of clutter and well lit. Cluttered and dark work areas can cause accidents.
- Keep children and bystanders away while operating the low-profile oil drain. Distractions can cause you to lose control, so visitors should remain at a safe distance from the work area.
- Be aware of all power lines, electrical circuits, water pipes and other mechanical hazards in your work area, particularly those hazards below the work surface hidden from the operator's view that may be

unintentionally contacted and may cause personal harm or property damage.

- Be alert of your surroundings. Using the low-profile oil drain in confined work areas may put you dangerously close to cutting tools and rotating parts.

## **PERSONAL SAFETY**

- Stay alert, watch what you are doing and use common sense when using the low-profile oil drain. Do not use the low-profile oil drain while you are tired or under the influence of drugs, alcohol or medication. A moment of inattention while operating the low-profile oil drain may result in serious personal injury.
- Dress properly. Do not wear loose clothing, dangling objects or jewelry. Keep your hair, clothing and gloves away from moving parts. Loose clothes, jewelry or long hair can be caught in moving parts.
- Use safety apparel and equipment. Use safety goggles or safety glasses with side shields which comply with current national standards, or when needed, a face shield. Use as dust mask in dusty work conditions. This applies to all persons in the work area. Also use non-skid safety shoes, hardhat, gloves, dust collection systems, and hearing protection when appropriate.
- Make sure that the Oil Drain is used only on a dry, oil/grease free, flat, level, ground surface capable of supporting the weight of the unit and contents.
- Do not work under the vehicle without proper Support devices.
- Prior to using the Oil Drain, make sure to read and understand all warnings, safety precautions, and instructions as outlined in the vehicle manufacturers and the support device's instruction manuals.
- Do not allow anyone in the vehicle while using the Oil Drain. Keep all bystanders a safe distance away from the vehicle.
- Avoid burns. Allow the engine oil to completely cool before draining the oil into the Oil Drain.
- Do not leave the Oil Drain unattended when operating or draining the

oil.

- Make sure to remove the Oil Drain and all the other tools and equipment before lowering the vehicle to the floor surface.



Never use the Oil Drain near open flames or heat sources.



Oil contains hazardous chemicals which may be harmful to the environment and hazardous to your health. Follow guidelines for engine oil disposal. Used engine oil should be removed from the vehicle and properly disposed of or recycled. Contact your local solid/liquid waste authority for information on recycling and/or disposal.

## **SAVE THESE INSTRUCTIONS**

### **USE AND CARE RULES**

- Do not modify the low-profile oil drain in any way. Unauthorized modification may impair the function and /or safety and could affect the life of the equipment. There are specific applications for which the low-profile oil drain was designed.
- Always check of damaged or worn out parts before using the low-profile oil drain. Broken parts will affect the low-profile oil drains operation. Replace or repair damaged or worn parts immediately.
- Do not exceed the low-profile oil drain load capacity.
- Distribute the load evenly. Uneven loads may cause the low-profile oil drain to tip, resulting in personal injury to the operator or others.
- Use the low-profile oil drain on flat and level surface capable of supporting the low-profile oil drain and its maximum load. Pulling or pushing a load on a slanted or uneven surface can result in loss of

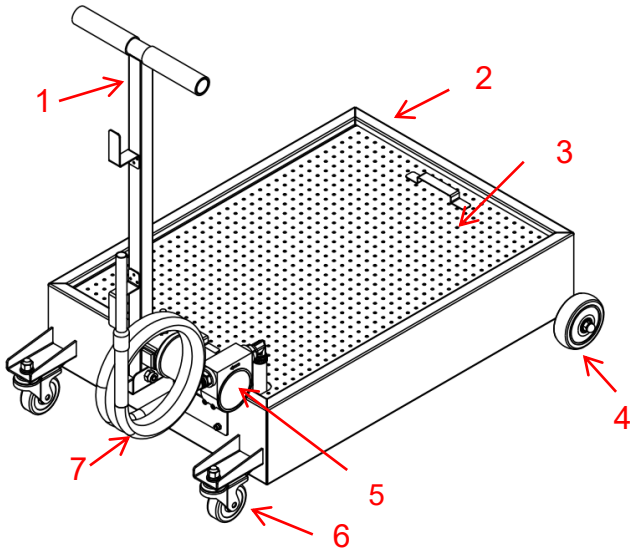
control.

- Store idle low-profile oil drain. When low-profile oil drain is not in use, store it in a secure place out of the reach of children. Inspect it for good working condition prior to storage and be re-use.

## MODEL AND PARAMETERS

Model	JOD607E	JOD610E
Capacity	20 Gallons	15 Gallons
Pump	Input: DC12V Power: 180W	Input: DC12V Power: 180W
Max. Flow	30 L/min	30 L/min
Hose	Φ19(Inside diameter)x250mm	Φ19(Inside diameter)x250mm
Wheel	4"(Front) ; 3"(Back)	4"(Front) ; 3"(Back)















## STRUCTURE DIAGRAM



1. Handle 2. Oil Drain 3. Filter Screen 4. Front wheel  
5. Pump 6. Universal Wheel (Back) 7. Hose

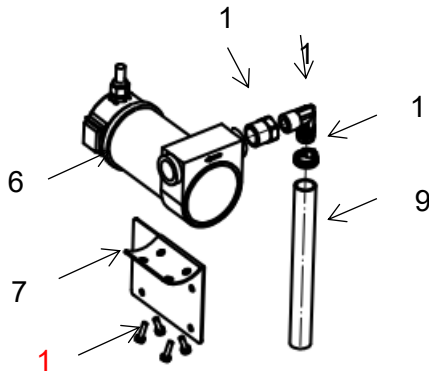


## COMPONENTS

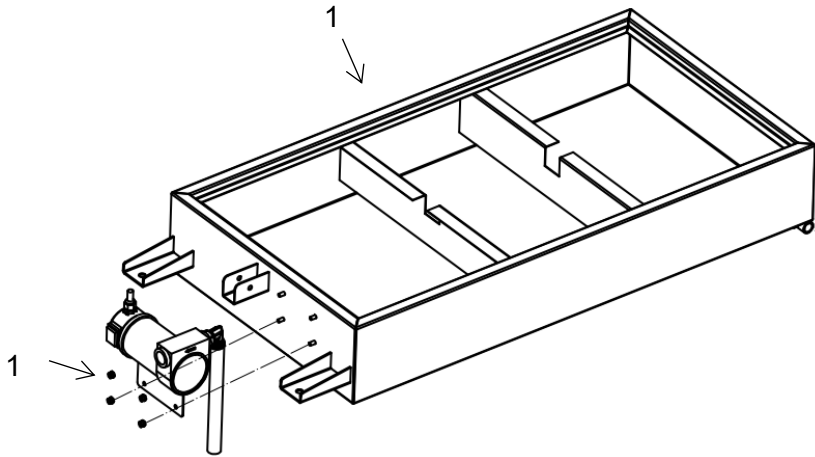
No.	Picture	Name and Qty	No.	Picture	Name and Qty
1		Oil Drain(x1)	13		Hose Fitting(x1)
2		Filter Screen(x1)	14		L hose Fitting(x1)
3		Handle (x1)	15		Hose Clamp(x2)
4		Front Wheel(x2)	16		Nut M6(x4)
5		Universal Wheel (x2)	17		Nut M8(x4)
6		Pump(x1)	18		Nut M10(x2)
7		Oil Pump Mounting	19		Bolt M6*35(x8)
8		Raw Tape(x1)	20		Bolt M8*45(x3)
9		Short Hose (x1)	21		Flat Gasket(x2)
10		Long Hose (x1)	22		Cushion(x2)
11		Wheel Shaft (x2)	23	/	User Manual(x1)
12		Joint (x1)			

## ASSEMBLY

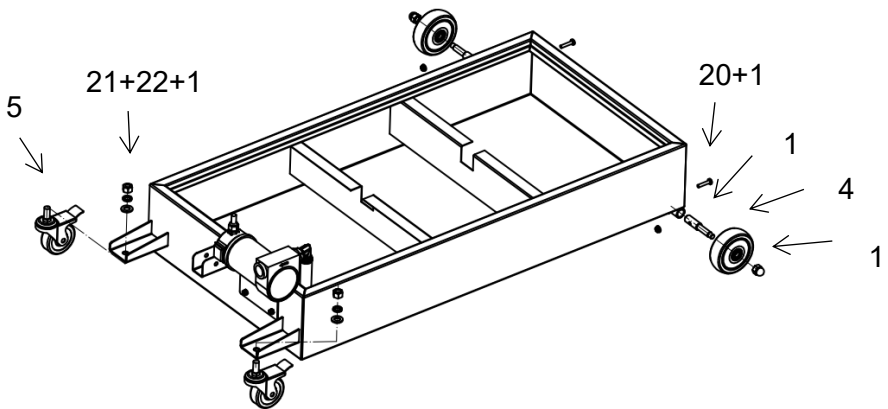
Step1: Install oil pump mounting plate, Connect 14 with a short hose(9) and tighten with hose clamp(15); Add raw tape (8) to attach 14 and 12 to pump.



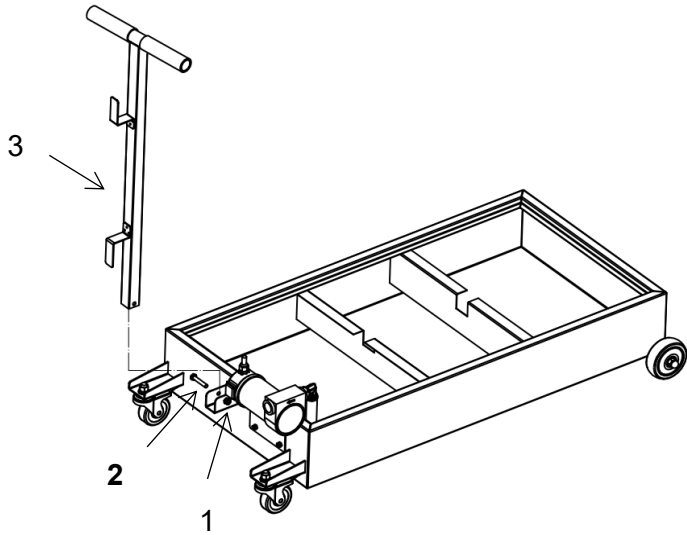
Step2: The pump is connected to the oil drain(1).



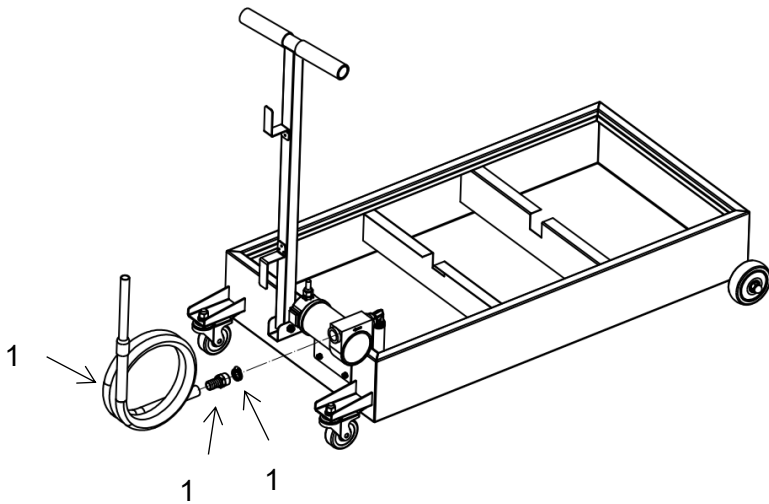
Step3: Install the front wheels (4) and universal wheels (5)



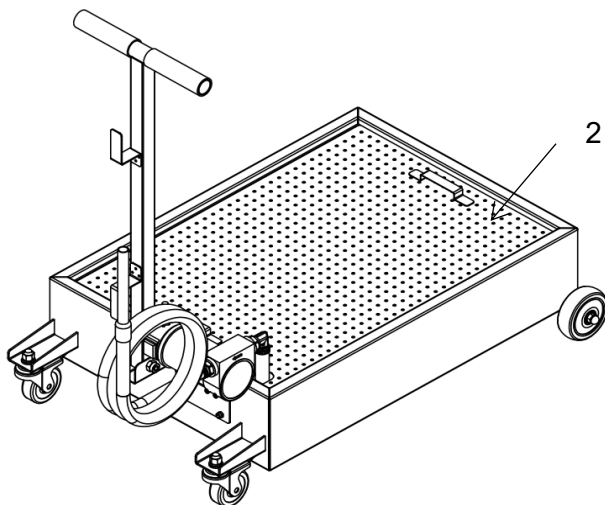
Step4: Install the handle(3).



Step5: Add raw tape to attach 13 to pump, Connect the long hose to 13 and lock it with hose clamp (15) .



Step6: Cover the filter screen (2) and the product is assembled.



## OPERATION

- Move the Oil Drain under the vehicle, make sure the Opening of Reservoir is positioned directly below the oil drain plug of the engine.
- Remove the oil drain plug of the engine, and allow the old oil to completely drain from the engine into the Reservoir.
- Once the old engine oil is completely drained, replace the oil drain plug of the engine and refill, if needed.
- When emptying the old oil from the Oil Drain, make sure to follow guidelines for engine oil disposal. If necessary, contact your local solid/liquid waste authority for information on recycling and/or disposal. Move the oil drain to where the old oil will be temporary stored(e.g.,a tank), put the Long Hose(10) into the tank, and connect to the power supply, turn on the pump to drain the waste oil.

## MAINTAIN

1. It is recommended that the general condition of any low-profile oil drain be examined before it is used. Keep your low-profile oil drain in good repair by adopting a program of conscientious repair and maintenance. If any abnormal vibrations or noise occurs, have the problem corrected before further use. Have necessary repair made by qualified service personnel. Before each use, inspect the general condition of the Oil Drain. Check for broken or bent parts, loose or missing parts, and any condition that may affect the proper operation of the product. If a problem occurs, have the problem corrected before further use.
2. Do not use damaged equipment.
3. When cleaning, use a clean cloth with detergent or mild solvent. Then, store the Oil Drain in a safe and dry location.

**VEVOR STORE INC**

**9448 RINCHMOND PL #E RANCHO CUCAMONGA, California, 91730  
United States of America**

**Made in China**







**VEVOR**<sup>®</sup>  
TOUGH TOOLS, HALF PRICE

TechnicalSupport and E-Warranty Certificate  
[www.vevor.com/support](http://www.vevor.com/support)