



Dual-Adjust Trailer Dolly 800lbs OWNER'S MANUAL



WARNING:

Read carefully and understand all **ASSEMBLY AND OPERATION INSTRUCTIONS** before operating. Failure to follow the safety rules and other basic safety precautions may result in serious personal injury.

Model#

Thank you very much for choosing this product! For future reference, please complete the owner's record below:

Model: _____ Purchase Date: _____

Save the receipt, warranty and these instructions. It is important that you read the entire manual to become familiar with this product before you begin using it.

This product is designed for certain applications only. The manufacturer cannot be responsible for issues arising from modification. We strongly recommend this product not be modified and/or used for any application other than that for which it was designed. If you have any questions relative to a particular application, DO NOT use the product until you have first contacted us to determine if it can or should be performed on the product.

For technical questions please call **1-218-943-6296**.

INTENDED USE

Move your trailer with ease. Adjust up and down and forwards and backwards.

TECHNICAL SPECIFICATIONS

Item	Description
Capacity	800 lbs.
Tires	12" Flat Free Tire + 8" Flat Free Swivel Caster
Construction	Steel
Hitch Ball Size	2"
Adjustable Height	16.5" to 21"
Dimensions	26" wide wheel base and 41.7" long hitch

GENERAL SAFETY RULES



WARNING: Read and understand all instructions. Failure to follow all instructions listed below may result in serious injury.



CAUTION: Do not allow persons to operate or assemble this Dual-Adjust Trailer Dolly until they have read this manual and have developed a thorough understanding of how the Dual-Adjust Trailer Dolly works.



WARNING: The warnings, cautions, and instructions discussed in this instruction manual cannot cover all possible conditions or situations that could occur. It must be understood by the operator that common sense and caution are factors which cannot be built into this product, but must be supplied by the operator.

SAVE THESE INSTRUCTIONS

WORK AREA

- **Keep work area clean**, free of clutter and well lit. Cluttered and dark work areas can cause accidents.
- **Keep children and bystanders** away while operating a Dual-Adjust Trailer Dolly. Distractions can cause you to lose control, so visitors should remain at a safe distance from the work area.
- **Be alert of your surroundings.** Using a Dual-Adjust Trailer Dolly in confined work areas may put you dangerously close to cutting tools and rotating parts.

PERSONAL SAFETY

- **Stay alert**, watch what you are doing and use common sense when using a Dual-Adjust Trailer Dolly. Do not use a Dual-Adjust Trailer Dolly while you are tired or under the influence of drugs, alcohol or medication. A moment of inattention while operating a may result in serious personal injury.

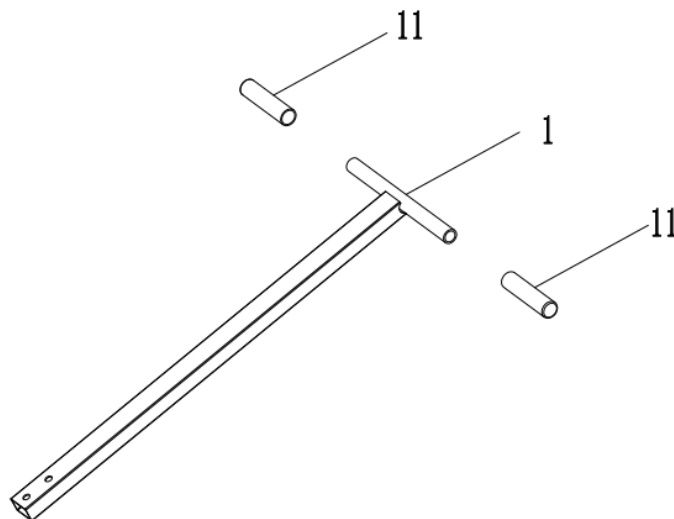
- **Dress properly.** Do not wear loose clothing, dangling objects, or jewelry. Keep your hair, clothing and gloves away from moving parts. Loose clothes, jewelry or long hair can be caught in moving parts.
- **Use safety apparel and equipment.** Use safety goggles or safety glasses with side shields which comply with current national standards, or when needed, a face shield. Use a dust mask if working in dusty work conditions. This applies to all persons in the work area. Also use non-skid safety shoes, hardhat, heavy-duty work gloves, dust collection systems, and hearing protection when appropriate.

Dual-Adjust Trailer Dolly USE AND CARE

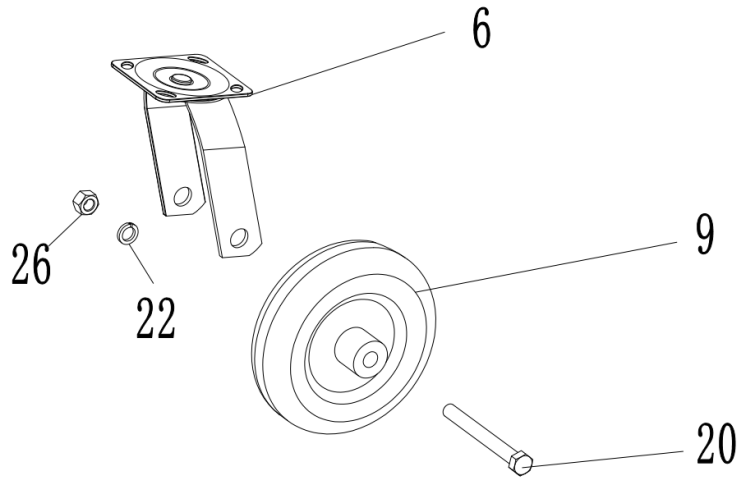
- **Do not modify the Dual-Adjust Trailer Dolly in any way.** Unauthorized modification may impair the function and/or safety and could affect the life of the equipment. There are specific applications for which the Dual-Adjust Trailer Dolly was designed.
- **Always check for damaged or worn out parts before using the Dual-Adjust Trailer Dolly.** Broken parts will affect the Dual-Adjust Trailer Dolly operation. Replace or repair damaged or worn parts immediately.
- **Do not exceed the Dual-Adjust Trailer Dolly load capacity.**
- **Distribute the load evenly.** Uneven loads may cause the Dual-Adjust Trailer Dolly to tip, resulting in personal injury to the operator or others.
- **Use the Dual-Adjust Trailer Dolly on flat and level surfaces** capable of supporting the Dual-Adjust Trailer Dolly and its maximum load. Pulling or pushing a load on a slanted or uneven surface can result in loss of control.
- **Store idle Dual-Adjust Trailer Dolly.** When Dual-Adjust Trailer Dolly is not in use, store it in a secure place out of the reach of children. Inspect it for good working condition prior to storage and before re-use.

ASSEMBLY

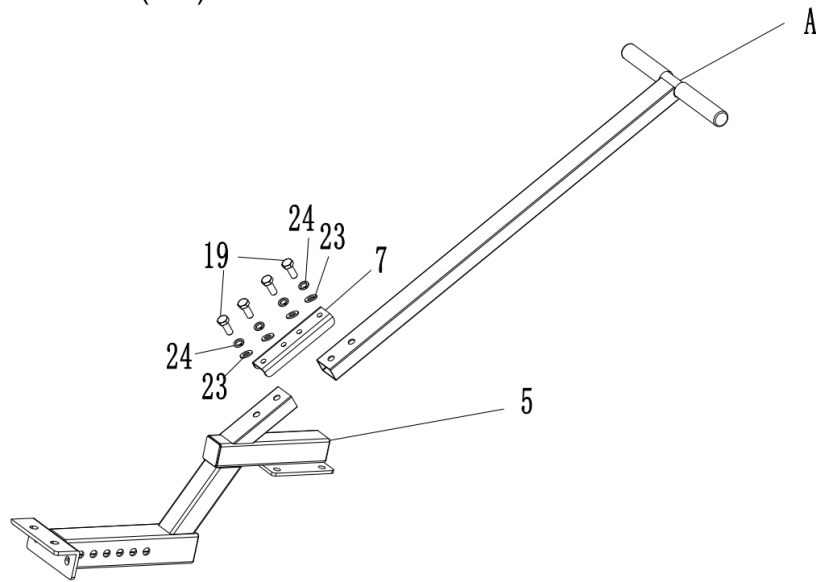
1. Install 2pcs Grip (#11) onto T-Bar Handle (#1) as Part A.



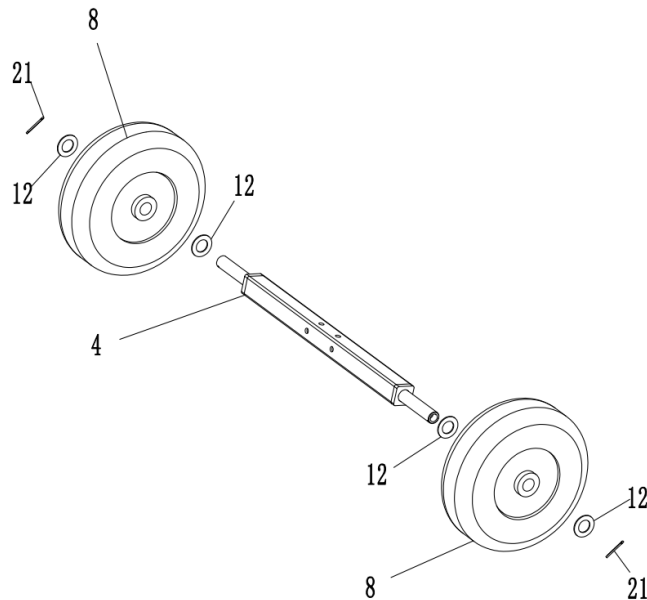
2. Assemble 8in caster Wheel (#9) with Caster Frame (#6) by using Bolt (#20), Flat Washer (#22) and Lock Nut (#26) as Part B.



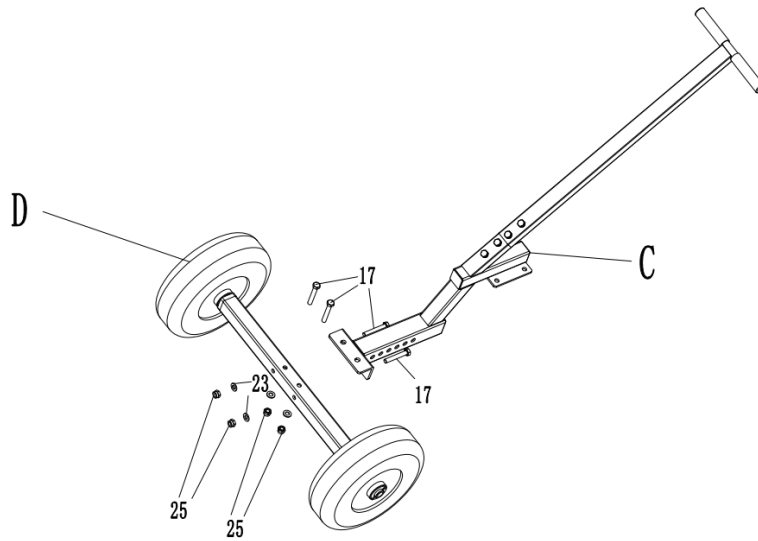
3. Connect Base Bracket (#5), Connecting Bar (#7) with Part A by using Bolt (#19), Flat Washer (#23) and Flat Washer (#24) as Part C.



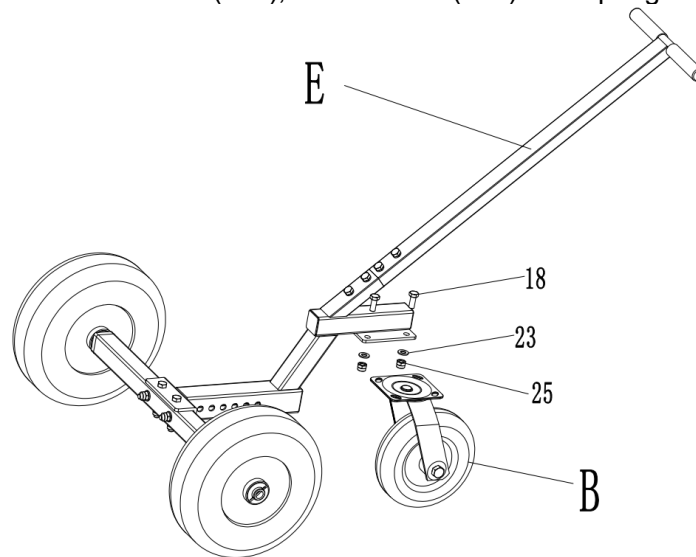
4. Install 2pcs 12in Wheel (#8) onto Axle Base (#4) with Flat Washer (#12) and Split Pin (#21) as Part D.



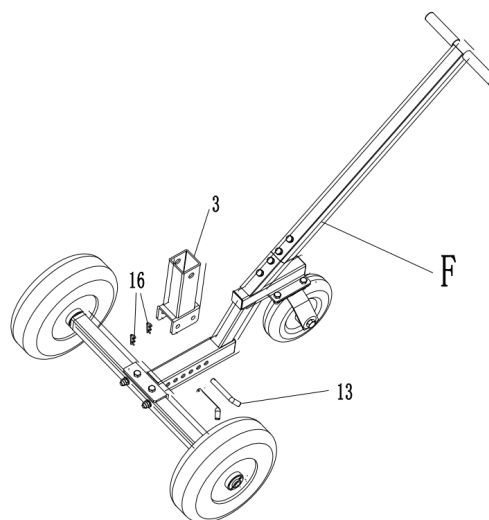
5. Attach Part C and Part D with Bot (#17), Flat Washer (#23) and Spring Washer (#25) as Part E.



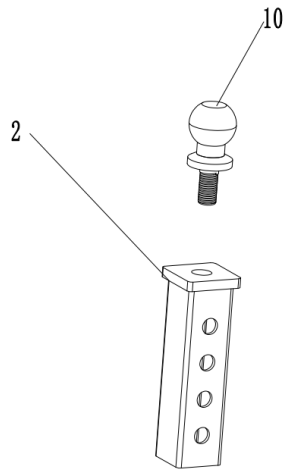
6. Attach Part B and Part E with Bolt (#18), Flat Washer (#23) and Spring Washer (#25) as Part F.



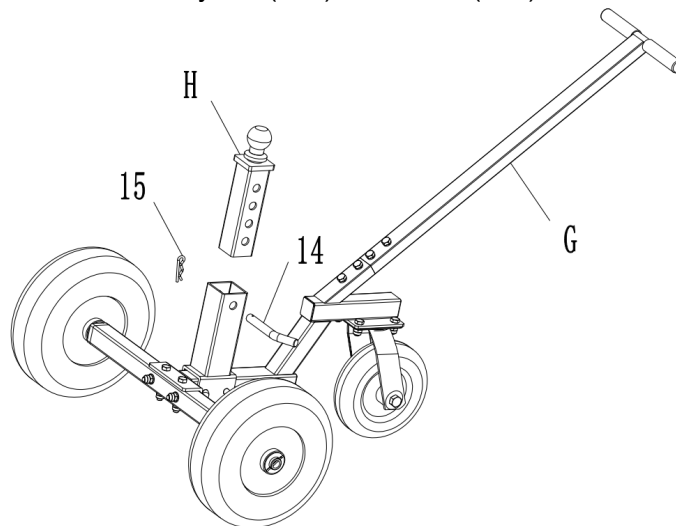
7. Install Ball Mount – Outer Tube (#3) onto Part F with Safety Pin (#13) and R Pin (#16) as Part G.



8. Connect Ball Mount – Inner Tube (#2) with 2" Hitch Ball (#10) together as Part H.



9. Attach Part H with Part G with Safety Pin (#14) and R Pin (#15).



10. Check and tighten all fasteners as needed

OPERATION



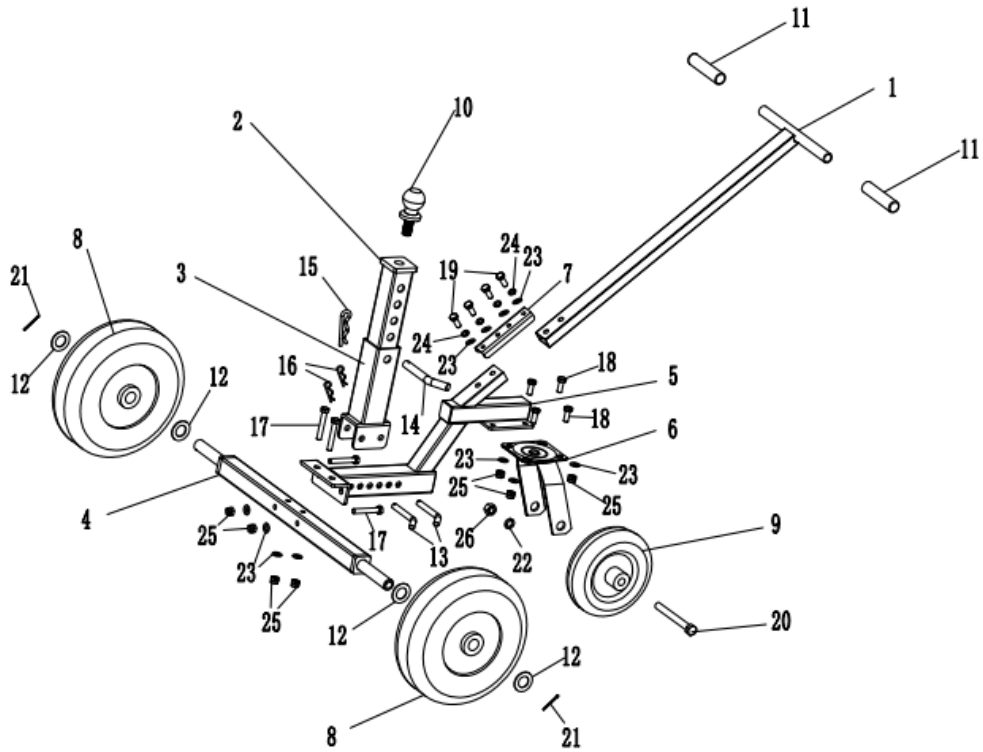
WARNING:

1. Design load limit is 800lbs, for the adjustable trailer dolly alone, not including load supported by trailer wheels. Do not exceed the rated capacity.
2. Always keep arms, feet, and legs, etc. out from under the trailer tongue while hitching, unhitching or moving the trailer. Children should always be kept at a safe distance.
3. Always make sure any loaded trailer is blocked properly while the adjustable trailer dolly is being moved into place.
4. Make sure the trailer tongue is securely connected to the adjustable trailer dolly coupler ball before attempting to unblock and move the trailer.
5. Take precautions to prevent uncontrolled movement of the trailer once it is connected to the adjustable trailer dolly. Remember, the slope of a roadbed surface is difficult to judge, and the pull of gravity can result in a dangerously out of control trailer.
6. If the adjustable trailer dolly is being connected to a trailer which is being stored over a lengthy period of time, make sure both the trailer and the adjustable trailer dolly are blocked properly.
7. Keep the adjustable trailer dolly clean and free of road dirt. Inspect the adjustable trailer dolly before each use to make sure all parts are securely in place and in working order. Periodically lubricate moving parts.

MAINTENANCE

- **Maintain your Dual-Adjust Trailer Dolly.** It is recommended that the general condition of any Dual-Adjust Trailer Dolly be examined before it is used. Keep your Dual-Adjust Trailer Dolly in good repair by adopting a program of conscientious repair and maintenance. If any abnormal vibrations or noise occurs, have the problem corrected before further use. Have necessary repairs made by qualified service personnel.

DIAGRAM & PARTS LIST



Part#	Description	Qty.	Part#	Description	Qty.
1	T-Bar Handle	1	14	Safety Pin 16mm	1
2	Ball Mount – Inner Tube	1	15	R Pin 4.5mm	1
3	Ball Mount - Outer Tube	1	16	R Pin 2.8mm	2
4	Axle Base	1	17	Bolt M10*60	4
5	Base Bracket	1	18	Bolt M10*20	4
6	Caster Frame	1	19	Bolt M10*25	4
7	Connecting Bar	1	20	Bolt M16*125	1
8	12in Wheel	2	21	Split Pin 3.2mm	2
9	8in Caster Wheel	1	22	Flat Washer M12	1
10	2" Hitch Ball	1	23	Flat Washer M10	12
11	Grip	2	24	Spring Washer M10	4
12	Flat Washer 26	4	25	Lock Nut M10	8
13	Safety Pin 12mm	2	26	Lock Nut M12	1

For replacement parts and technical questions, please call **1-218-943-6296**.

WARRANTY

One-year limited parts warranty



Tow Tuff
PO BOX 203
Miltona, MN 56354

MADE IN CHINA