



# **1000 LB ATV WEIGHT DISTRIBUTING ADJUSTABLE TRAILER DOLLY**

## **OWNER'S MANUAL**



### **WARNING:**

Carefully read and understand all **ASSEMBLY AND OPERATION INSTRUCTIONS** before operating. Failure to follow the safety rules and other basic safety precautions may result in serious personal injury.

**Model # TMD-1000ATV**

Thank you very much for choosing this product! For future reference, please complete the owner's record below:

Model: \_\_\_\_\_ Purchase Date: \_\_\_\_\_

Save the receipt, the warranty, and these instructions. It is important that you read the entire manual to become familiar with this product before you begin using it.

This product is designed for certain applications only. The manufacturer cannot be responsible for issues arising from modification. We strongly recommend that this product not be modified and/or used for any application other than that for which it was designed. If you have any questions relative to a particular application, DO NOT use the product until you have first contacted us to determine if it can, or should, be performed on the product.

For technical questions, please call **1-218-943-6296**.

## INTENDED USE

This ATV Weight Distributing Adjustable Trailer Dolly takes the weight off of your ATV, making it easier to pull attachments and eases the weight from your ATV/UTV. This dolly is perfect for fish houses and any tow-behind attachments or pin hitches.

## TECHNICAL SPECIFICATIONS

Item	Description
Capacity	1000 lbs.
Tires	15-3/4" pneumatic tire
Construction	Steel
Hitch Ball Size	2"
Adjustable Height	19-7/8" to 24-3/8"
Dimensions	47-1/4" x 44-3/4" x 19-7/8"

## GENERAL SAFETY RULES



**WARNING:** Read and understand all instructions. Failure to follow all instructions listed below may result in serious injury.



**CAUTION:** Do not allow persons to operate or assemble this ATV Dolly until they have read this manual and have developed a thorough understanding of how the ATV Dolly works.



**WARNING:** The warnings, cautions, and instructions discussed in this instruction manual cannot cover all possible conditions or situations that could occur. It must be understood by the operator that common sense and caution are factors that cannot be built into this product, but must be supplied by the operator.

## SAVE THESE INSTRUCTIONS

## WORK AREA

- **Keep work area clean**, free of clutter, and well-lit. Cluttered and dark work areas can cause accidents.
- **Keep children and bystanders** away while operating an ATV Dolly. Distractions can cause you to lose control, so visitors should remain at a safe distance from the work area.
- **Be alert of your surroundings.** Using an ATV Dolly in confined work areas may put you dangerously close to sharp tools and rotating parts.

## PERSONAL SAFETY

- **Stay alert**, watch what you are doing, and use common sense when using an ATV Dolly. Do not use an ATV Dolly while you are tired or under the influence of drugs, alcohol, or medication. A moment of inattention while operating an ATV Dolly may result in serious personal injury.
- **Dress properly.** Do not wear loose clothing, dangling objects, or jewelry. Keep your hair, clothing, and gloves away from moving parts. Loose clothes, jewelry, or long hair can be caught in moving parts.
- **Use safety apparel and equipment.** Use safety goggles or safety glasses with side shields that comply with current national standards or, when needed, a face shield. Use a dust mask if working in dusty work conditions. This applies to all persons in the work area. Also use non-skid, safety shoes, hard hats, gloves, dust collection systems, and hearing protection when appropriate.

## ATV DOLLY USE AND CARE

- **Do not modify the ATV Dolly in any way.** Unauthorized modification may impair the function and/or safety and could affect the life of the equipment. There are specific applications for which the ATV Dolly was designed.
- **Always check for damaged or worn-out parts before using the ATV Dolly.** Broken parts will affect the ATV Dolly operation. Replace or repair damaged or worn parts immediately.
- **Do not exceed the ATV Dolly load capacity of 1000 lbs.**
- **Do not exceed 10 mph while using the ATV Dolly.**
- **Distribute the load evenly.** Uneven loads may cause the ATV Dolly to tip, resulting in personal injury to the operator or others.
- **Use the ATV Dolly on flat and level surfaces** capable of supporting the ATV Dolly and its maximum load. Pulling or pushing a load on a slanted or uneven surface can result in a loss of control.
- **Store idle ATV Dolly.** When the ATV Dolly is not in use, store it in a secure place out of the reach of children. Inspect it for good working condition prior to storage and before re-use.

## WARNING

- Never inflate over max rating.
- Max pressure is 30 psi from regulated air source.
- Over inflating can result in serious injury or death.

## ASSEMBLY

1. Attach the Link Bracket (#22) and Mounting Plate (#9) to the Axle Assembly (#8) by using Spring Washer (#6), Bolt (#7), Flat Washers (#10), and Nut (#11).
2. Attach the two Support Plates (#12) to connect the Axle Assembly (#8) and the Link Bracket (#22).
3. Attach one hole on the lower end of both Support Plates (#12) to Axle Assembly (#8) with Flat Washer (#5), Spring Washer (#6) and Bolt (#7).
4. Attach the other hole on the lower end of both Support Plates (#12) to Axle Assembly (#8) with Flat Washer (#5), Spring Washer (#6), Bolt (#7), Flat Washer (#10) and Nut (#11).
5. Attach the upper end of both Support Plates (#12) to Link Bracket (#22) by using Spring Washer (#6), Bolt (#7), Flat Washer (#10) and Nut (#11).
6. Install Support Tube (#14) on the Link Bracket (#22), secure it with R Pin (#13) and Pin (#23).
7. Insert Adjustable Tube (#15) into Support Tube (#14), secure it with R Pin (16) and Pin (#17).
8. Attach the Coupler (#20) onto the Link Bracket (#22) using Flat Washer (#3), Nut (#18), Spring Washer (#19) and Bolt (#21).
9. Install the two Pneumatic Tires (#2) on both ends of the Axle Assembly (#8). Be sure the inflation valves are outward from the dolly. Attach tires using Bolt (#1), Flat Washer (#3), and Lock Nut (#4).
10. Check and tighten all fasteners as needed.

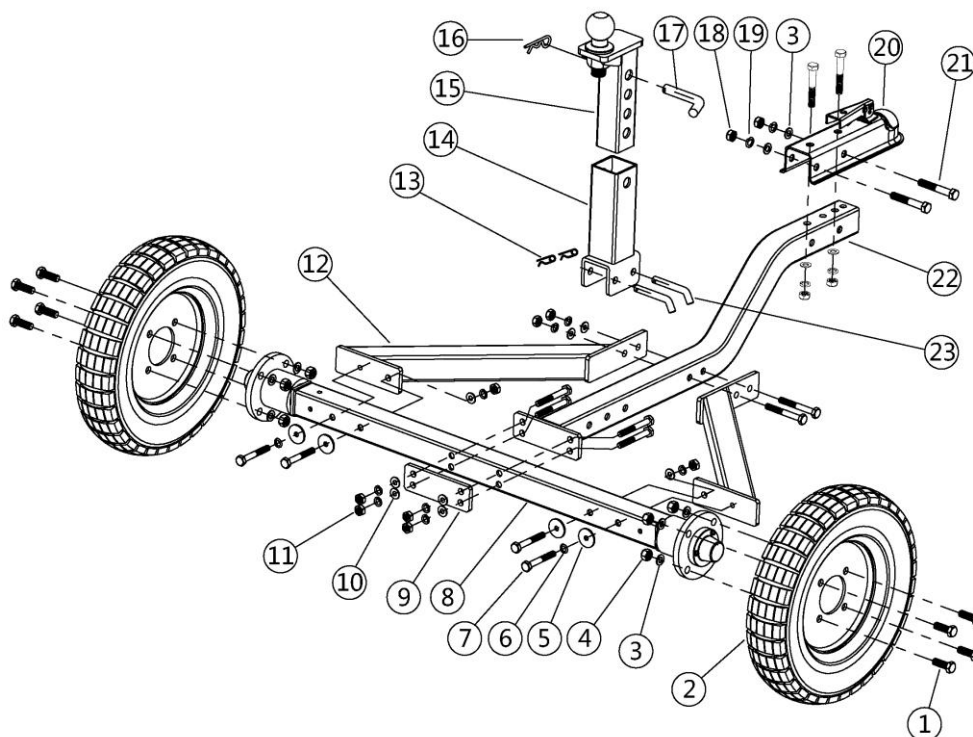
## OPERATION

1. Do not exceed the rated dolly capacity and your ATV towing capacity.
2. Always keep arms, feet, and legs, etc. out from under the ATV tongue while hitching, unhitching, or moving the ATV. Children should always be kept at a safe distance.
3. Always make sure the ATV and application for towing are blocked properly.
4. Attach the hitch end to your ATV.
5. Make sure the trailer that is being towed is securely connected to the adjustable ATV dolly hitch ball before attempting to unblock and move the ATV.
6. Take precautions to prevent uncontrolled movement of the trailer that is being towed once it is connected to the adjustable ATV dolly. Remember, the slope of a roadbed surface is difficult to judge, and the pull of gravity can result in a dangerously out-of-control ATV.
7. Keep the adjustable ATV dolly clean and free of road dirt. Inspect the adjustable ATV dolly before each use to make sure all parts are securely in place and in working order. Periodically lubricate moving parts.
8. Drive your ATV in low speed for safe towing.
9. **DO NOT use dolly for towing a load downhill.**

## MAINTENANCE

- Maintain your ATV Dolly.** It is recommended that the general condition of any ATV Dolly be examined before it is used. Keep your ATV Dolly in good repair by adopting a program of conscientious repair and maintenance. If any abnormal vibrations or noise occurs, have the problem corrected before further use. Have necessary repairs made by qualified service personnel.

## DIAGRAM & PARTS LIST



Part #	Description	Qty.	Part #	Description	Qty.
1	Bolt M12x40	8	13	R Pin Ø2.5	2
2	15-3/4" Pneumatic Tire	2	14	Support Tube	1
3	Flat Washer Ø12	12	15	Adjustable Tube	1
4	Lock Nut M12	8	16	R Pin Ø4	1
5	Flat Washer Ø35	4	17	Pin Ø18	1
6	Spring Washer Ø10	10	18	Nut M12	4
7	Bolt M10x85	10	19	Spring Washer Ø12	4
8	Axle Assembly	1	20	2" Coupler	1
9	Mounting Plate	1	21	Bolt M12x75	4
10	Flat Washer Ø10	8	22	Link Bracket	1
11	Nut M10	8	23	Pin Ø12	2
12	Support Plate	2			

For replacement parts and technical questions, please call **1-218-943-6296**.

## **WARRANTY**

**One-year limited parts warranty.**



TG  
PO BOX 203  
Miltona, MN 56354  
Made in China