



# HEAVY DUTY ADJUSTABLE TRAILER DOLLY WITH DUAL CASTERS

## OWNER'S MANUAL



### **WARNING:**

Read carefully and understand all **ASSEMBLY AND OPERATION INSTRUCTIONS** before operating. Failure to follow the safety rules and other basic safety precautions may result in serious personal injury.

**Model # TMD-15002C**

Thank you very much for choosing a Tow Tuff product! For future reference, please complete the owner's record below:

Model: \_\_\_\_\_ Purchase Date: \_\_\_\_\_

Save the receipt, warranty, and these instructions. It is important that you read the entire manual to become familiar with this product before you begin using it.

This product is designed for certain applications only. The manufacturer cannot be responsible for issues arising from modification. We strongly recommend that this product not be modified and/or used for any application other than that for which it was designed. If you have any questions relative to a particular application, DO NOT use the product until you have first contacted us to determine if it can, or should, be performed on the product.

**For technical questions, please call 1-218-943-6296.**

## TECHNICAL SPECIFICATIONS

Item	Description
Capacity	1500 lbs.
Tires	2 - 10" swivel caster + 2 - 18" Pneumatic Wheel
Construction	Steel
Hitch Ball	2"
Adjustable Height	23-1/4" to 37"
Handle	47" long

## GENERAL SAFETY RULES



**WARNING:** Read and understand all instructions. Failure to follow all instructions listed below may result in serious injury.



**CAUTION:** Do not allow persons to operate or assemble this adjustable trailer dolly until they have read this manual and have developed a thorough understanding of how the adjustable trailer dolly works.



**WARNING:** The warnings, cautions, and instructions discussed in this instruction manual cannot cover all possible conditions or situations that could occur. It must be understood by the operator that common sense and caution are factors which cannot be built into this product, but must be supplied by the operator.



**WARNING:** TOW TUFF will not be held liable for any damages, losses, or injury due to the misapplication or misuse of this product or for any other reason. Always wear approved safety glasses, protective clothing, and proper hand and foot protection at all times. Keep all children, pets, and animals clear from work area.

## SAVE THESE INSTRUCTIONS

## WORK AREA

- **Keep work area clean**, free of clutter, and well-lit.
- **Keep children and bystanders** away while operating the adjustable trailer dolly.
- **Be alert of your surroundings.** Using an adjustable trailer dolly in confined work areas may put you in dangerous situations.

## PERSONAL SAFETY

- **Stay alert**, watch what you are doing, and use common sense when using the adjustable trailer dolly. Do not use the adjustable trailer dolly while you are tired or under the influence of drugs, alcohol, or medication. A moment of inattention while operating the adjustable trailer dolly may result in serious personal injury.
- **Dress properly.** Do not wear loose clothing, dangling objects, or jewelry. Keep your hair, clothing, and gloves away from moving parts. Loose clothes, jewelry, or long hair can be caught in moving parts.
- **Use safety apparel and equipment.** Use approved safety goggles or safety glasses with side shields or, when needed, a face shield. Also use non-skid safety shoes and gloves when appropriate.

## TRAILER DOLLY USE AND CARE

- **Do not modify the adjustable trailer dolly in any way.** Unauthorized modification may impair the function and/or safety and could affect the life of the equipment. There are specific applications for which the adjustable trailer dolly was designed.
- **Always check for damaged or worn out parts before using the adjustable trailer dolly.** Broken parts will affect the adjustable trailer dolly operation. Replace or repair damaged or worn parts immediately.
- **Do not exceed the adjustable trailer dolly load capacity.**
- **Distribute the load evenly.** Uneven loads may cause the adjustable trailer dolly to tip, resulting in personal injury to the operator or others.
- **Use the adjustable trailer dolly on flat and level surfaces** capable of supporting the adjustable trailer dolly and its maximum load. Pulling or pushing a load on a slanted or uneven surface can result in loss of control.

## WARNING

- Never inflate over max rating.
- Max pressure is 30 psi from regulated air source.
- Over inflating can result in serious injury or death.

## **ASSEMBLY**

### **See parts diagram for reference during assembly**

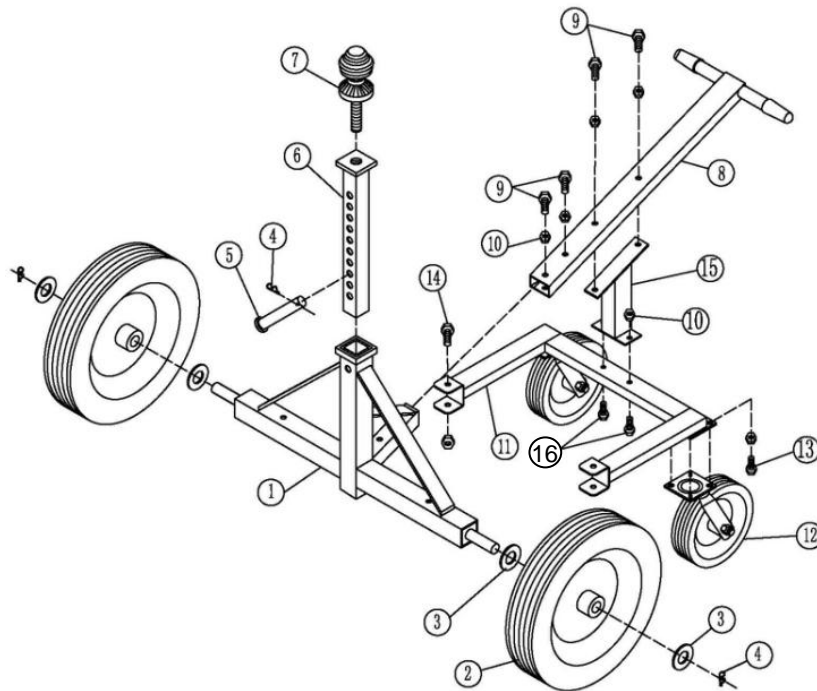
1. Attach one side of Handle (#8) to Axle Assembly (#1) using Bolt (#9) and Lock Nut (#10).
2. Attach Wheel Mounting Plate (#11) to Axle Assembly (#1) with Bolt (#14).
3. Install Bracket (#15) on Wheel Mounting Plate (#11) and Handle (#8), using Bolt (#16) and Nut (#10).
4. Install two Casters (#12) on Wheel Mounting Plate (#11) by using Bolt (#13).
5. Install Hitch Ball (#7) onto the Mount Bracket (#6), then insert the Mount Bracket (#6) into Axle Assembly (#1) and secure with Safety Pin (#4) and Pin Shaft (#5).
6. Attach two Wheels (#2) to Axle Assembly (#1) and secure them with Plate Washers (#3) and Safety Pin (#4).
7. Check and tighten all fasteners as needed.

## **OPERATION**

1. Design load limit is 1500 lbs., for the adjustable trailer dolly alone, not including load supported by trailer wheels. Do not exceed the rated capacity.
2. Always keep arms, feet, and legs, etc. out from under the trailer tongue while hitching, unhitching, or moving the trailer. Children should always be kept at a safe distance.
3. Always make sure any loaded trailer is blocked properly while the adjustable trailer dolly is being moved into place.
4. Make sure the trailer tongue is securely connected to the adjustable trailer dolly coupler ball before attempting to unblock and move the trailer.
5. Take precautions to prevent uncontrolled movement of the trailer once it is connected to the adjustable trailer dolly. Remember, the slope of a roadbed surface is difficult to judge, and the pull of gravity can result in a dangerously out-of-control trailer.
6. If the adjustable trailer dolly is being connected to a trailer that is being stored over a lengthy period of time, make sure both the trailer and the adjustable trailer dolly are blocked properly.
7. Keep the adjustable trailer dolly clean and free of road dirt. Inspect the adjustable trailer dolly before each use to make sure all parts are securely in place and in working order. Periodically lubricate moving parts.

**WARNING: FAILURE TO FOLLOW THESE INSTRUCTIONS COULD RESULT IN LOSS OF LOAD AND/OR PERSONAL INJURY OR DAMAGE TO PROPERTY.**

## DIAGRAM & PARTS LIST



Ref #	Description	Qty	Ref #	Description	Qty
1	Axle Assembly	1	9	Bolt M10x45	4
2	18" Wheel	2	10	Lock Nut M10	14
3	Plate Washer	4	11	Wheel Mounting Plate	1
4	Safety Pin	5	12	10" Caster	2
5	Pin Shaft	1	13	Bolt M10x25	8
6	2" Ball Mount Bracket	1	14	Bolt M10x80	2
7	2" Trailer Hitch Ball	1	15	Bracket	1
8	Handle	1	16	Bolt M10*60	2

**For replacement parts and/or technical questions, please call 1-218-943-6296.**

**WARRANTY:** 1-year limited parts warranty



PO Box 203  
Miltona, MN 56354

Made in China