



# **1000LB Heavy-Duty 2-in-1 Adjustable Trailer Dolly**

## **OWNER'S MANUAL**



**Model # TMD-1000CATV**



### **WARNING:**

Read carefully and understand all **ASSEMBLY AND OPERATION INSTRUCTIONS** before operating. Failure to follow the safety rules and other basic safety precautions may result in serious personal injury.

This product is designed for certain applications only. The manufacturer cannot be responsible for issues arising from modification. We strongly recommend this product not be modified and/or used for any application other than that for which it was designed. If you have any questions relative to a particular application, DO NOT use the product until you have first contacted us to determine if it can or should be performed on the product.

For technical questions, please call 218-943-6296

## TECHNICAL SPECIFICATIONS

Item	Description
Capacity	1000 lbs
Tires	16" Flat Free Tires + 10" Swivel Caster
Construction	Steel
Hitch Ball Size	2"
Adjustable Height	21-1/4" to 34-5/8"
Dimensions	45-1/2" x 42-1/8" x 37"

## GENERAL SAFETY RULES



**WARNING:** Read and understand all instructions. Failure to follow all instructions listed below may result in serious injury.



**CAUTION:** Do not allow persons to operate or assemble this adjustable trailer dolly until they have read this manual and have developed a thorough understanding of how the adjustable trailer dolly works.



**WARNING:** The warnings, cautions, and instructions discussed in this instruction manual cannot cover all possible conditions or situations that could occur. It must be understood by the operator that common sense and caution are factors which cannot be built into this product, but must be supplied by the operator.



**WARNING:** TG and Tow Tuff will not be held liable for any damages, losses or injury due to the misapplication or misuse of this product or for any other reason. Always wear approved safety glasses, protective clothing, and proper hand and foot protection at all times. Keep all children, pets, and animals clear from work area.

## SAVE THESE INSTRUCTIONS

## WORK AREA

- **Keep work area clean**, free of clutter and well lit.
- **Keep children and bystanders** away while operating the adjustable trailer dolly.
- **Be alert of your surroundings.** Using an adjustable trailer dolly in confined work areas may put you dangerous situations.

## PERSONAL SAFETY

- **Stay alert**, watch what you are doing and use common sense when using the adjustable trailer dolly. Do not use the adjustable trailer dolly while you are tired or under the influence of drugs, alcohol or medication. A moment of inattention while operating the adjustable trailer dolly may result in serious personal injury.
- **Dress properly.** Do not wear loose clothing, dangling objects, or jewelry. Keep your hair, clothing and gloves away from moving parts. Loose clothes, jewelry or long hair can be caught in moving parts.
- **Use safety apparel and equipment.** Use approved safety goggles or safety glasses with side shields, or when needed, a face shield. Also use non-skid safety shoes, and gloves when appropriate.

## TRAILER DOLLY USE AND CARE

- **Do not modify the adjustable trailer dolly in any way.** Unauthorized modification may impair the function and/or safety and could affect the life of the equipment. There are specific applications for which the adjustable trailer dolly was designed.
- **Always check for damaged or worn out parts before using the adjustable trailer dolly.** Broken parts will affect the adjustable trailer dolly operation. Replace or repair damaged or worn parts immediately.
- **Do not exceed the adjustable trailer dolly load capacity.**
- **Distribute the load evenly.** Uneven loads may cause the adjustable trailer dolly to tip, resulting in personal injury to the operator or others.
- **Use the adjustable trailer dolly on flat and level surfaces** capable of supporting the adjustable trailer dolly and its maximum load. Pulling or pushing a load on a slanted or uneven surface can result in loss of control.

# ASSEMBLY

## See parts diagram for reference during assembly

1. Attach sector plate (#5) to axle assembly (#1) using bolt (#6) , nut (#7), pin shaft (#13) and R pin(#14).
2. Install trailer ball (#11) onto the ball mount bracket (#8), then insert the ball mount bracket (#8) into axle assembly (#1) and secure them with pin shaft(#9) and R pin (#10)
3. Attach the 10" Caster (#17) to caster bracket (#16) using bolt (#18) and nut (#19).
  - 3.1 Manual hook-up Attach 10" caster (#17) with sector plate(#5) using pin shaft (#13) and R pin (#14)  
(See Diagram I)
  - 3.2 Attaching to an ATV/UTV: Attach 10" caster (#17) with bracket on handle (#15)  
(See Diagram II)
4. Attach two 16" Flat free tires (#3) to axle assembly (#1) and secure them with flat washers (#2) and safety pin (#4)
5. Attach Top handles (#20) to Handle assembly (#15) using bolt (#21) and Ring pin (#22)
6. Connect axle assembly (#1), T-Bar handle (#15) and sector plate (#5) together using bolt (#12), and nut (#7). Keep the handle in horizontal position when attaching to an ATV/UTV.

### Note:

- This dolly can be set up for two different functions: In manual mode, the product can be used to move an attached lightweight trailer short distance over a flat, level surface.
- The dolly can also be set up to attach to an ATV, UTV, or lawn tractor to pull a loaded trailer in an off-road situation at a speed not to exceed 10 MPH.

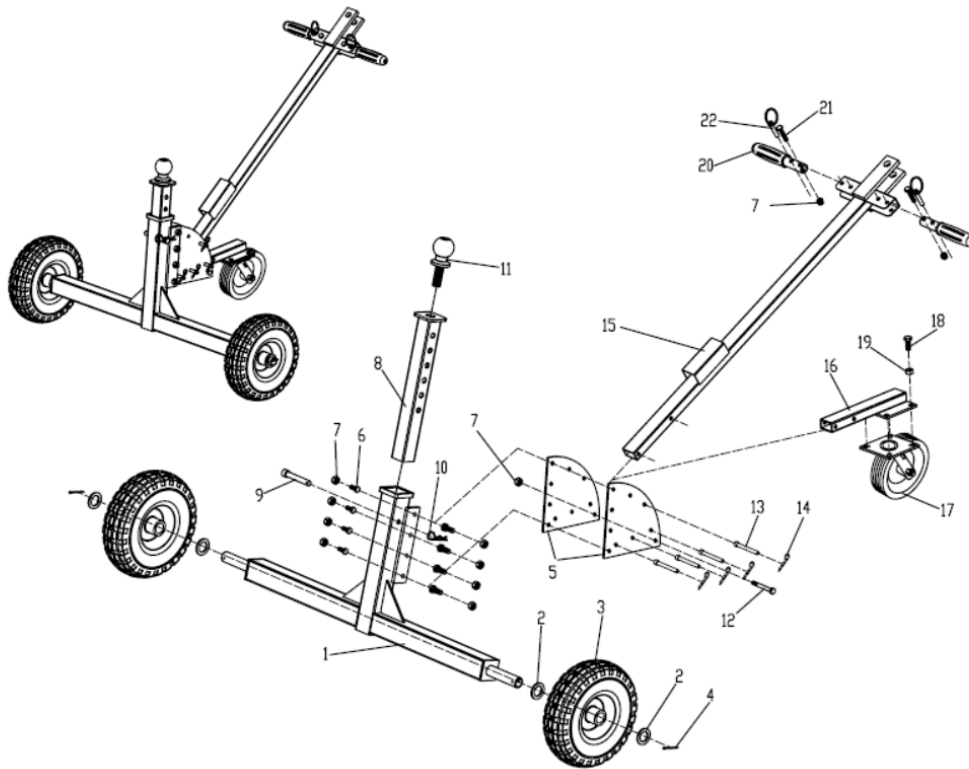
## • OPERATION

1. Design load limit is 1000lbs, for the adjustable trailer dolly alone, not including load supported by trailer wheels. Do not exceed the rated capacity.
2. Always keep arms, feet, and legs, etc. out from under the trailer tongue while hitching, unhitching or moving the trailer. Children should always be kept at a safe distance.
3. Always make sure any loaded trailer is blocked properly while the adjustable trailer dolly is being moved into place.
4. Make sure the trailer tongue is securely connected to the adjustable trailer dolly coupler ball before attempting to unblock and move the trailer.
5. Take precautions to prevent uncontrolled movement of the trailer once it is connected to the adjustable trailer dolly. Use on level surfaces ONLY.
6. If the adjustable trailer dolly is being connected to a trailer which is being stored over a lengthy period of time, make sure both the trailer and the adjustable trailer dolly are blocked properly.
7. Keep the adjustable trailer dolly clean and free of road dirt. Inspect the adjustable trailer dolly before each use to make sure all parts are securely in place and in working order. Periodically lubricate moving parts.

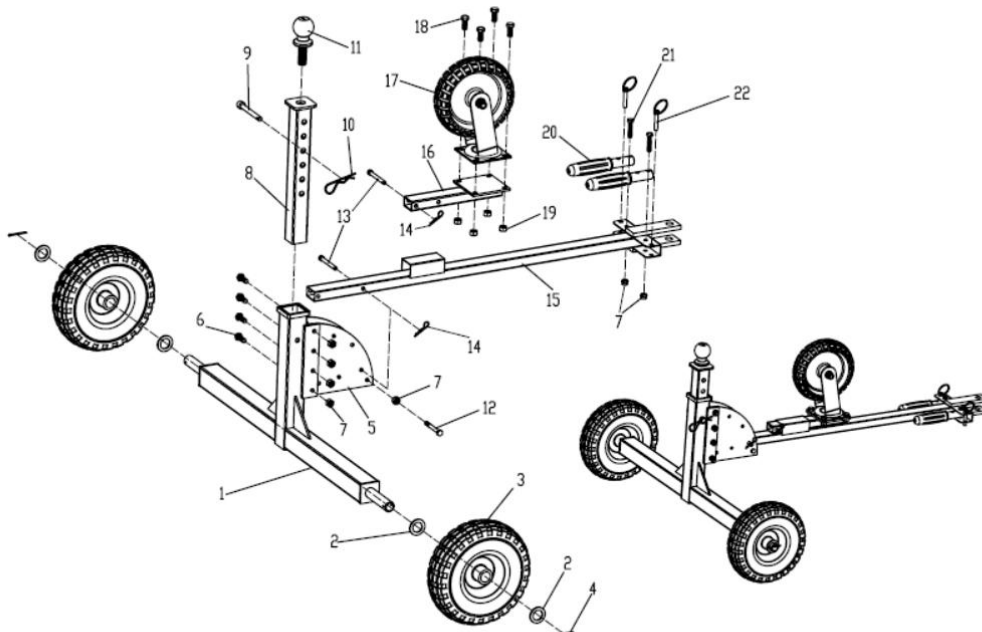
**WARNING: FAILURE TO FOLLOW THESE INSTRUCTIONS COULD RESULT IN LOSS OF LOAD AND/OR PERSONAL INJURY OR DAMAGE TO PROPERTY.**

# DIAGRAM & PARTS LIST

## I. Manual Hook up



## II. Attaching to an ATV/UTV



Ref #	Description	Qty	Ref #	Description	Qty
1	Axle Assembly	1	12	Bolt M8x75	1
2	Flat Washer <b>Ø26</b>	4	13	Pin Shaft <b>Ø8</b>	4
3	16" Flat Free Tire	2	14	R Pin <b>Ø2</b>	4
4	Safety Pin <b>Ø3</b>	2	15	Handle Assembly	1
5	Sector Plate	2	16	Bracket of Swivel Caster	1
6	Bolt M8x25	8	17	10" Swivel Caster	1
7	Nut M8	11	18	Bolt M10x25	4
8	2in. Ball Mount Bracket	1	19	Nut M10	4
9	Pin Shaft <b>Ø14</b>	1	20	Top Handle	2
10	R Pin <b>Ø2</b>	1	21	Bolt M8x40	2
11	2in. Trailer Ball	1	22	Ring Pin <b>Ø8</b>	2

For replacement parts and/or technical questions, please call 218-943-6296.

**WARRANTY:** One-year Limited Parts Warranty



TG  
 PO Box 203  
 Miltona, MN 56354

Made in China