

# PHANTOM 4 PRO V2.0

## Quick Start Guide

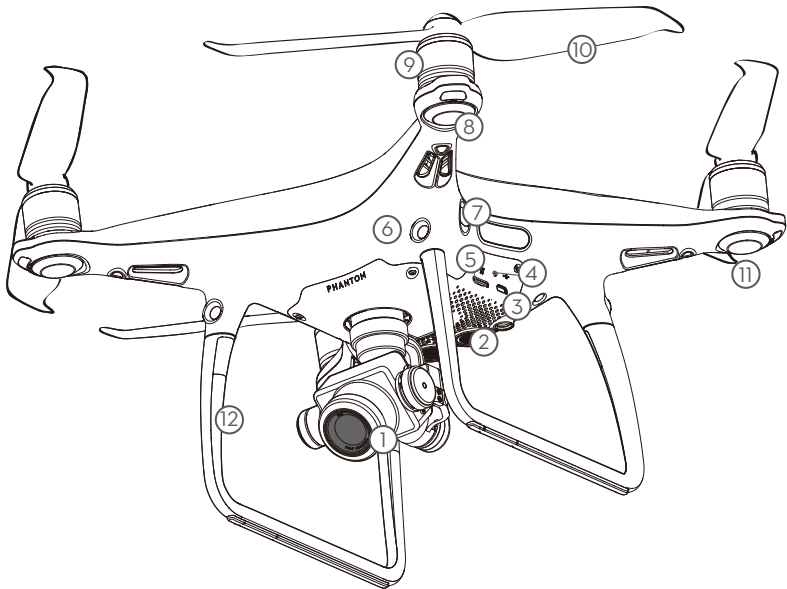
v1.2



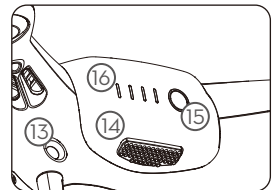
# Phantom 4 Pro V2.0

The DJI PHANTOM™ 4 Pro V2.0 is a smart prosumer flying camera capable of shooting 4K video at 60 fps and at up to 100 Mbps, and capturing 20 megapixel stills. 4 directions of obstacle avoidance allow it to intelligently avoid obstacles during flight. Using TapFly™ and ActiveTrack™ through the DJI GO™ 4 app, you can fly anywhere visible on your screen or track a moving subject smoothly and easily with a simple tap. The camera uses a 1-inch CMOS sensor offering unprecedented clarity, lower noise, and better quality images.

In addition to the above features, improved propulsion system efficiency means aircraft noise is 4dB (60%) lower than on the Phantom 4 Pro V2.0.



- |  |                                |
|--|--------------------------------|
| 1. Gimbal and Camera                               | 9. Motors                      |
| 2. Downward Vision System*                         | 10. Propellers                 |
| 3. Micro USB Port                                  | 11. Aircraft Status Indicators |
| 4. Camera/Linking Status Indicator and Link Button | 12. Antennas                   |
| 5. Camera Micro SD Card Slot                       | 13. Rear Vision System         |
| 6. Forward Vision System                           | 14. Intelligent Flight Battery |
| 7. Infrared Sensing System*                        | 15. Power Button               |
| 8. Front LEDs                                      | 16. Battery Level Indicators   |

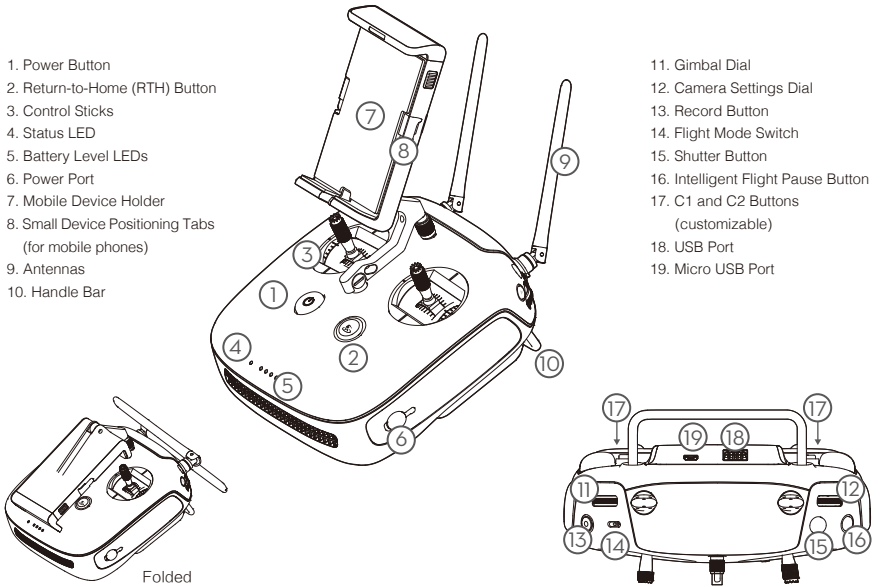


\* The Vision and Infrared Sensing Systems are affected by surrounding conditions. Read the Disclaimer and Safety Guidelines and watch the tutorials in the DJI GO 4 app or on the official DJI website to learn more.

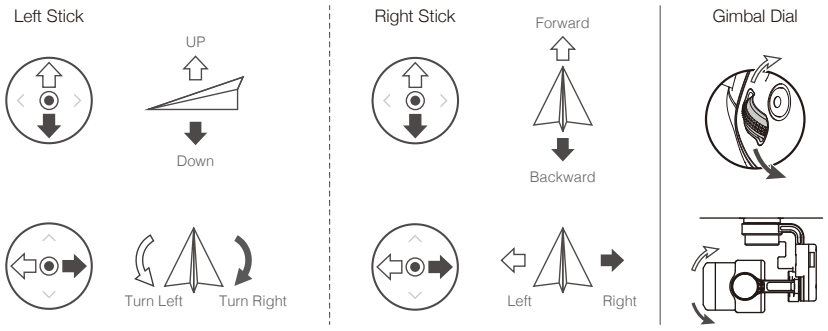
# Remote Controller

The powerful remote controller of the Phantom 4 Pro V2.0 has a transmission range extending up to 5 mi (8 km)\*. It features physical buttons and dials to control exposure, camera tilt, photo capture, and video recording.

Built into the remote controller is DJI's latest long-range transmission technology OCUSYNC™, which when paired with a compatible mobile device gives you a live HD view from the Phantom's camera. Dual frequency support makes the HD video downlink more stable.



The default flight control is known as Mode 2. The left stick controls the aircraft's altitude and heading, while the right stick controls its forward, backward, left and right movements. The gimbal dial controls the camera's tilt.



\* The remote controller is able to reach its maximum transmission distance (FCC) in a wide open area with no Electro-Magnetic Interference, and at an altitude of about 400 feet (120 meters).

# Using Phantom 4 Pro V2.0

## 1. Download the DJI GO 4 App

Search for 'DJI GO 4' on the App Store or Google Play, and install the app on your mobile device.



DJI GO 4 App

## 2. Watch the Tutorial Videos

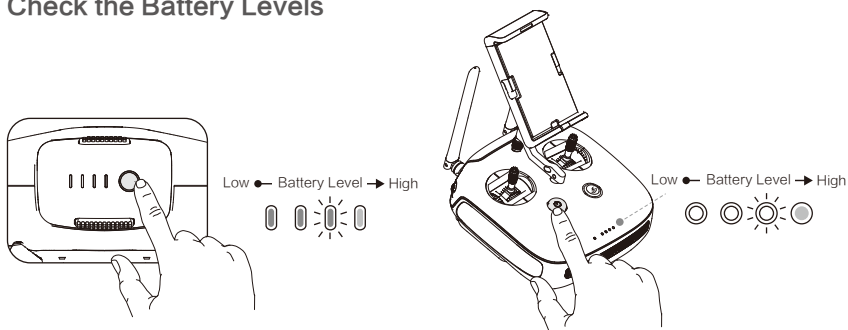
Watch the tutorial videos at [www.dji.com](http://www.dji.com) or in the DJI GO 4 app.



Tutorial Videos

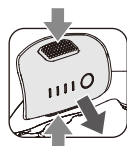
 • DJI GO 4 supports iOS 9.0 (or later) or Android 4.4 (or later).

## 3. Check the Battery Levels

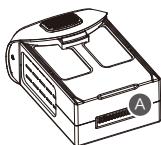


Press once to check the battery level. Press once, then again and hold to turn on/off.

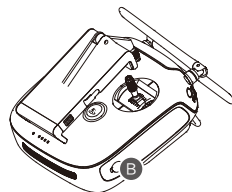
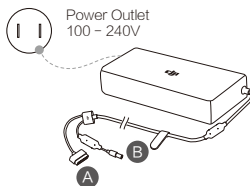
## 4. Charge the Batteries



Remove the battery.



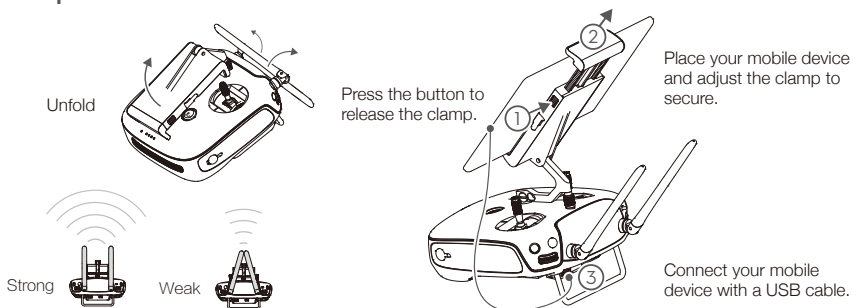
Charge Time:  
~1 hr 20 min



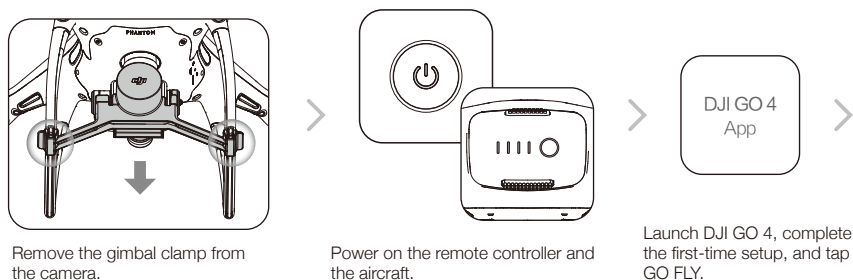
Charge Time:  
~3 hr 40 min

 • When charging is complete, the battery level indicators will automatically turn off.

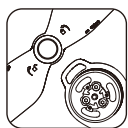
## 5. Prepare the Remote Controller



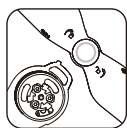
## 6. Prepare for Takeoff



First-time activation requires your DJI account and internet connection.



Black propeller rings go on motors with black dots.



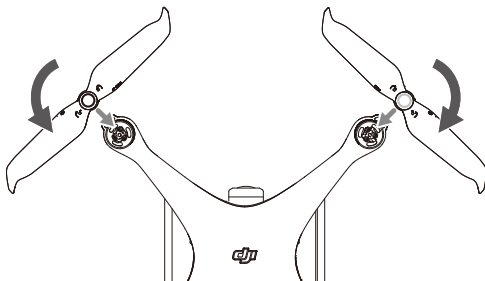
Silver propeller rings go on motors without black dots.



Press the propeller down onto the mounting plate and rotate in the lock direction until secure.



Check that the propellers are secure before each flight.



## 7. Flight

### Ready to Go (GPS)

Before taking off, make sure the Aircraft Status Bar in the DJI GO 4 app indicates 'Ready to Go (GPS)' or 'Ready to Go (Vision)' if flying indoors.

In the DJI GO 4 App:



#### Auto Takeoff

The aircraft will take off and hover at an altitude of 4 feet (1.2 meters).



#### Auto Landing

The aircraft will land vertically and stop its motors.



#### Return-to-Home (RTH)

Bring the aircraft back to the Home Point. Tap again to stop the procedure.



#### Normal

You are in control of the Phantom, with satellite and Return-to-Home support.



#### TapFly

Tap on your screen to fly your Phantom in that direction, avoiding obstacles as it flies.



#### ActiveTrack

Mark an object on your screen to track it as it moves.



- Watch the tutorial in the DJI GO 4 app or on the official DJI website to learn more.
- Always set an appropriate RTH altitude before takeoff. When the aircraft is returning to the Home Point, you should guide it with the control sticks. Refer to the Disclaimer and Safety Guidelines for more details.

### Manual Takeoff



Combination Stick Command to start/stop the motors



Left stick up (slowly) to take off

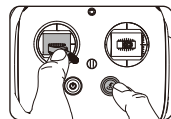
### Manual Landing



Left stick down (slowly) until you touch the ground  
Hold a few seconds to stop the motors



- Rotating propellers can be dangerous. Do not start the motors when there are people nearby.
- Always keep your hands on the remote controller so long as the motor is still spinning.
- **Stop motor mid-flight:** Pull the left stick to the bottom inside corner while simultaneously pressing the RTH button. Only stop motors mid-flight in emergency situations when doing so can reduce the risk of damage or injury. Refer to the user manual for details.



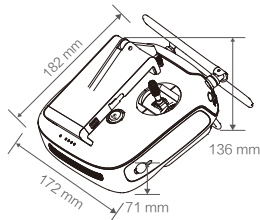
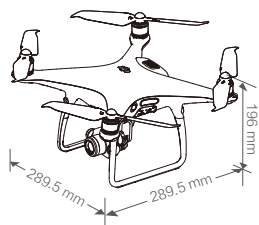
Stop motor mid-flight



It's important to understand basic flight guidelines, for the safety of both you and those around you. Don't forget to read the Disclaimer and Safety Guidelines.

## Specifications

<b>Aircraft</b>	
Weight (Battery & Propellers Included)	1375 g
Max Ascent Speed	S-mode: 6 m/s; P-mode: 5 m/s
Max Descent Speed	S-mode: 4 m/s; P-mode: 3 m/s
Max Speed	45 mph (72 kph) (S-mode); 36mph (58 kph) (A-mode); 31 mph (50 kph) (P-mode)
Max Service Ceiling Above Sea Level	19685 ft (6000 m)
Max Flight Time	Approx. 30 minutes
Operating Temperature	32° to 104° F (0° to 40° C)
GNSS	GPS+GLONASS
Operating Frequency	2.400 - 2.483 GHz and 5.725 - 5.850 GHz
Transmitter Power (EIRP)	2.4 GHz: ≤26 dBm (FCC); ≤20 dBm (CE); ≤20 dBm (SRRC) 5.8 GHz: ≤26 dBm (FCC); ≤14 dBm (CE); ≤26 dBm (SRRC)
Hover Accuracy Range	Vertical: ±0.1 m (With Vision Positioning); ±0.5 m (With GPS Positioning) Horizontal: ±0.3 m (With Vision Positioning); ±1.5 m (With GPS Positioning)
<b> Gimbal</b>	
Controllable Range	Pitch: -90° to +30°
<b> Vision System</b>	
Velocity Range	≤31 mph (50 kph) at 6.6 ft (2 m) above ground
Altitude Range	0 - 33 ft (0 - 10 m)
Operating Range	0 - 33 ft (0 - 10 m)
Obstacle Sensory Range	2 - 98 ft (0.7 - 30 m)
Operating Environment	Surfaces with clear patterns and adequate lighting (> 15 lux)
<b> Infrared Sensing System</b>	
Obstacle Sensory Range	0.6 - 23 ft (0.2 - 7 m)
Operating Environment	Surface with diffuse reflection material, and reflectivity > 8% (such as wall, trees, humans, etc.)
<b> Camera</b>	
Sensor	1" CMOS; Effective pixels: 20M
Lens	FOV (Field of View) 84°, 8.8 mm (35 mm format equivalent: 24 mm), f/2.8 - f/11, auto focus at 1 m - ∞
ISO Range	Video: 100 - 3200 (Auto); 100 - 6400 (Manual); Photo: 100 - 3200 (Auto); 100 - 12800 (Manual)
Mechanical Shutter	8 - 1/2000 s
Electronic Shutter	8 - 1/8000 s
Max Image Size	3:2 Aspect Ratio: 5472×3648; 4:3 Aspect Ratio: 4864×3648; 16:9 Aspect Ratio: 5472×3078
Still Photography Modes	Single Shot Burst Shooting: 3/5/7/10/14 frames Auto Exposure Bracketing (AEB): 3/5 bracketed frames at 0.7EV Bias Interval: 2/3/5/7/10/15/30/60 s
Video Recording Modes	H.265 •C4K: 4096×2160 24/25/30p •4K: 3840×2160 24/25/30p •2.7K: 2720×1530 24/25/30/48/50/60p •FHD: 1920×1080 24/25/30/48/50/60/120p •HD: 1280×720 24/25/30/48/50/60/120p 100 Mbps H.264 •C4K: 4096×2160 24/25/30/48/50/60p •4K: 3840×2160 24/25/30/48/50/60p •2.7K: 2720×1530 24/25/30/48/50/60p •FHD: 1920×1080 24/25/30/48/50/60/120p •HD: 1280×720 24/25/30/48/50/60/120p
Video Storage Bitrate	100 Mbps
Supported File Systems	FAT32 (≤ 32 GB); exFAT (> 32 GB)
Photo	JPEG, RAW (DNG), JPEG + RAW
Video	MP4/MOV (AVC/H.264; HEVC/H.265)
Supported SD Cards	Micro SD, Max Capacity: 128 GB. Class 10 or UHS-1 rating required
Operating Temperature	32° to 104° F (0° to 40° C)
<b> Remote Controller</b>	
Operating Frequency	2.400 - 2.483 GHz and 5.725 - 5.850 GHz
Max Transmission Distance	2.4 GHz: 5 mi (8 km, FCC); 3.1 mi (5 km, CE); 3.1 mi (5 km, SRRC)
(Unobstructed, free of interference)	5.8 GHz: 5 mi (8 km, FCC); 3.1 mi (5 km, CE); 3.1 mi (5 km, SRRC)
Operating Temperature	32° - 104° F (0° - 40° C)
Battery	6000 mAh LiPo 2S
Transmitter Power (EIRP)	2.4 GHz: ≤26 dBm (FCC); ≤20 dBm (CE); ≤20 dBm (SRRC) 5.8 GHz: ≤26 dBm (FCC); ≤14 dBm (CE); ≤20 dBm (SRRC)
Operating Voltage	1.2 A @ 7.4 V
<b> Charger</b>	
Voltage	17.4 V
Rated Power	100 W
<b> Intelligent Flight Battery (PH4-5870mAh-15.2V)</b>	
Capacity	5870 mAh
Voltage	15.2 V
Battery Type	LiPo 4S
Energy	89.2 Wh
Net Weight	468 g
Charging Temperature Range	41° to 104° F (5° to 40° C)
Max Charging Power	100 W



Download the user manual for more information:

<http://www.dji.com/phantom-4-pro-v2>

※ This Quick Start Guide is subject to change without prior notice.

For online support, please scan this code with Facebook Messenger

PHANTOM is a trademark of DJI.  
Copyright © 2019 DJI All Rights Reserved.  
Printed in China.

# PHANTOM 4 PRO V2.0

[www.dji.com](http://www.dji.com)



11UDWPRMJ04