

**LINCOLN EXPANDABLE**  
BARIATRIC BED



USER MANUAL

## Lincoln Expandable Bariatric Bed

FOR SERIES MODEL # LX-BARI & LX-BARI-9

IMPORTANT: CHECK THE LABEL ON THE BED FRAME FOR THE CORRESPONDING MODEL NUMBER

# Table of Contents

Introduction & Product Features .....	3
Parts List & Description .....	4
Installing The Lifting Frame & Height	
Adjustment Motor .....	5
Installing the Length Extension Frame .....	6
Installing the Bed Boards .....	7-8
Casters .....	9
Bed Width Extension.....	9-10
Bed Length Extension .....	10
Corner Mattress Retainer.....	11
Bumper Guard Installation & Usage.....	11-12
Patient Remote Controls .....	13
Trendelenburg .....	13
Trapeze Pole and IV Pole Sockets .....	13

# Introduction

The **MEDACURE LINCOLN EXPANDABLE BED** is a fully electric, versatile and multi-functional bed for Long Term Care, Hospital & Homecare settings. It expands in both the width (from 36" to 48") and length (from 80" to 88") which makes it ideal for standard, bariatric and tall patients. The LX-BARI has a low position of 14.9" and 5 patient position functions to enhance the quality of care and for ultimate comfort. The LX-BARI uses 4 sophisticated motors to control all functions and has a weight capacity of 700 lbs. The bed comes standard with a patient remote handset. The bed is a Class II Medical Device. The plug and the motors are IP43 rated.

Durable and built to last with all steel construction and removable head & foot boards. The LX-BARI is a sturdy bed with multi-functional features and an attractive upscale design that will enhance the décor of any room.

## EXPANDABLE WIDTH FROM 36" – 42" – 48"

Adjusts for both Standard and Bariatric Patients



Width Expands & Retracts  
Without Any Tools

## 5 FUNCTION ELECTRIC BED

HEAD AND FOOT POSITIONS, HI/LO, TRENDELENBURG & REVERSE TRENDELENBURG



Heavy duty rectangle tube bed deck with reinforced steel frame



Tool-less Design - Width & Length expand & retract without tools



8 - 3" Durable Casters:  
4 Swivel and  
4 Locking Casters



10 Position hand pendant with Trendelenburg Function

## PRODUCT FEATURES

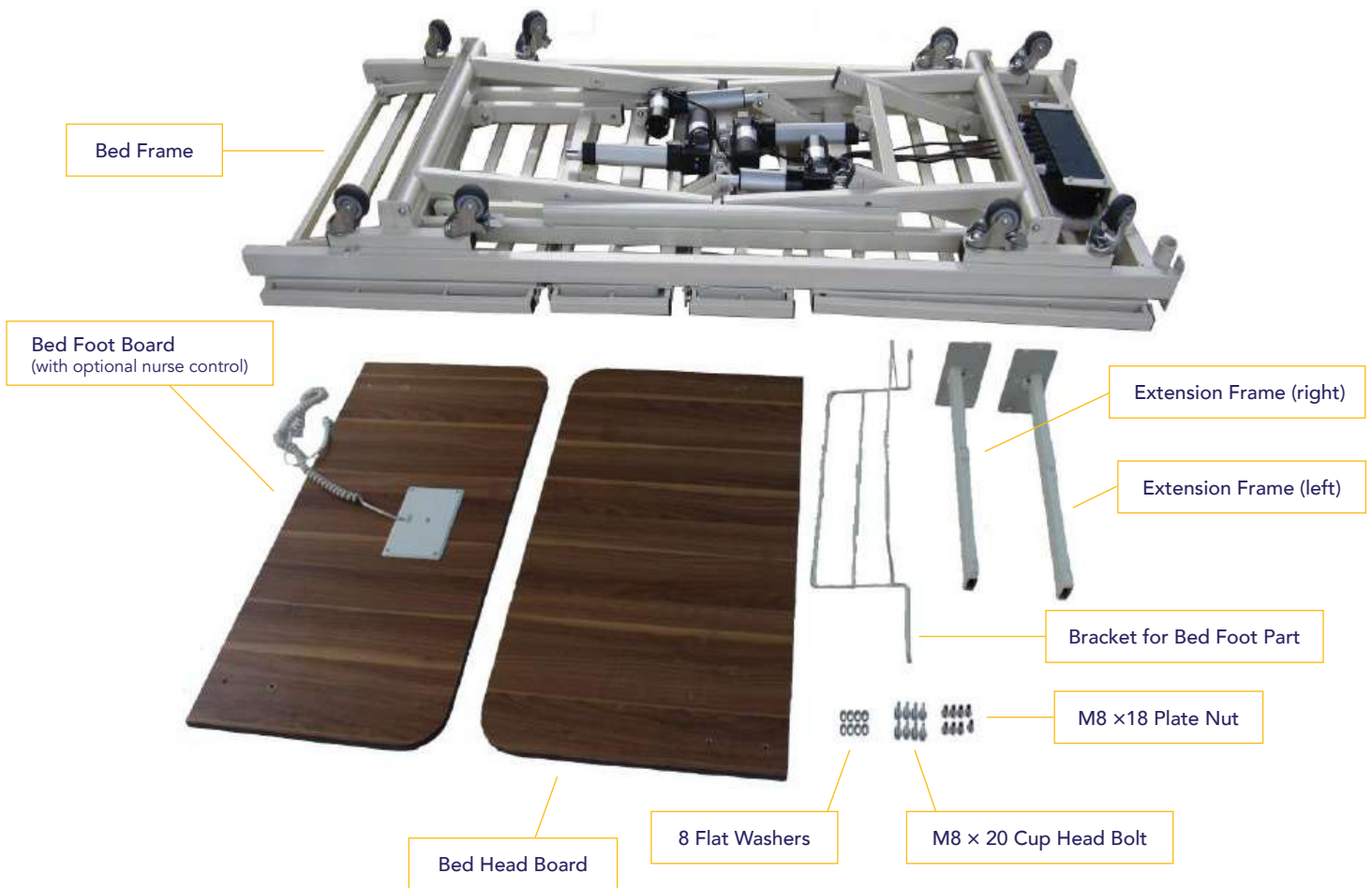
- Patient remote handset for all 5 positions
- Hi position to 30" (lx-bari) and 25" (lx-bari-9)
- Low position to 14" (lx-bari) and 9" (lx-bari-9)
- Expandable width from 36" 42" - 48"
- Expandable length from 80" to 88"
- 8 Casters: 4 pcs. Swivel & 4 locking casters
- Under bed clearance of 5.7"
- Iv pole mount on 2 head corners and the middle of the bed frame
- Trapeze bracket mount on 2 head corners
- Durable rectangle tube bed deck
- Interchangeable head/foot boards
- Durable 1 piece reinforced steel frame
- Each bed has four mattress retainers, 1 on each corner
- Each bed has two bumper guards on the head of the bed
- Foldable head board

**WEIGHT CAPACITY: 700 LBS.**

# Parts List & Description

**IMPORTANT:** Read this manual completely before setting up or operating this system and keep in a safe place for future reference. To avoid injury and for maximum safety, this system should only be installed by an authorized technician or dealer representative.

## ELECTRIC BED INSTALLATION PARTS LISTED BELOW AS PER FIGURE # 1



**FIGURE #1**

# Installations

## 1. INSTALLING THE LIFTING FRAME

Remove the  $\phi 13.5$  bolt from the lifting frame (1). Place a  $\phi 14$  plastic washer between the lifting frame (1) and lifting frame (2), matching the bolt holes on both lifting frames. Fasten with a  $\phi 13.5$  bolt with cotter pin as per Figure # 2. Use 4 bolts to connect the lifting frames.



FIGURE #2

## 2. INSTALLING HEIGHT ADJUSTMENT MOTOR



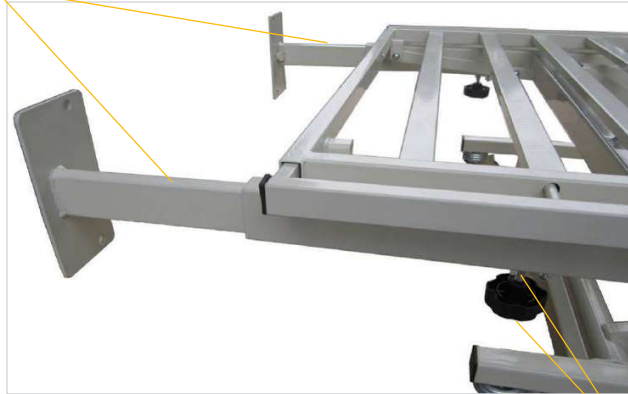
Match the installation holes on height adjustment motor and motor base and fasten by  $\phi 10$  bolt with latch as per Figure # 3. Before attaching the bolt, first attach a 10 plastic washer to the bolt. Install the two height adjustment motors one by one.

FIGURE #3

## 3. INSTALLING THE LENGTH EXTENSION FRAME

3.1. Insert extension frame (left) & extension frame (right) into the 60 x 30 mm rectangular bedframe tube. See Figure #4

The extension frame tubes should face upward.



**FIGURE #4**

Insert the extension frame, tighten the bolt to lock the extension frame, and then fix the plastic head bolt.

3.2. Install bracket for bed foot part as per Figure # 5.



**FIGURE #3**

## 4. INSTALLING THE BED BOARDS

**4.1.** Press the M8 × 18 plate nut into the bed board holes, as per Figure # 6.

**4.2.1** Match the bed head board with the bed frame installation holes. Fasten by M8 X 20 cup head bolt with φ 8 flat washer, as per Figure # 7.



**FIGURE #6**



**FIGURE #7**

**4.2.2** Foldable head board installation as noted in Figure # 7.1



**FIGURE #7.1**



Unfolded Position ^



Folded Position ^

## Installations

**4.3** Match the bed foot board with the extension frame installation holes. Fasten by M8 X 20 cup head bolt with  $\phi$  8 flat washer. Bed foot board can be installed in both the high and low level position. See Figure # 8 & Figure # 9.



**FIGURE #8**

Bed foot board in low-level installation position



**FIGURE #9**

Bed foot board in high-level installation position

**4.4** Install the bed head board to the bed head frame, and bed foot board to the bed foot frame, as per Figure # 10.

**4.5** Wire the nurse control on bed foot board as per Figure # 11



**FIGURE #10**



**FIGURE #11**

Connector for the nurse control & remote control



## 5. CASTERS

There are 4 pcs. locking casters and 4 pcs. swivel casters per set.

Step on the locking pedal (lower) to activate the locking position and step on the unlocking pedal (upper) to deactivate the locking system. See Figure # 12 & 13.



**FIGURE #12**

Locked position



**FIGURE #13**

Unlocked position

## 6. OPERATION FOR BED SURFACE EXTENSION FRAME

**6.1** First, loosen the "Locking Bolt". Then, pull the "Pulling Button" with one hand and pull out the extension frame until it clicks into your desired location hole (see 6.2 below). Tighten the "Locking Bolt" to lock the extension frame in place. See figure # 14.



**FIGURE #14**

Pulling Button

Locking Button

## Installations

**6.2 IMPORTANT NOTE:** There are 3 location holes on each extension frame for 3 width adjustment settings - 36", 42" and 48" widths. There are 4 separate extension frames on each side of the main frame. Repeat the above method in 6.1 to achieve the desired width and then tighten the "Locking Bolt" to lock the extension frame in place. See Figure # 15.



**FIGURE #15**

### 7. BED FOOT LENGTH EXTENSION FRAME

Loosen the screw on the bed frame, and pull out the extension frame. Tighten the screw until the ideal length is selected, as per Figure # 16.



Screw

## 8. MATTRESS RETAINERS

Each corner of the bed frame has two mattress retainer installation holes. Insert the mattress retainer as noted in Figure # 16.1.



Mattress Retainer Installation for Standard Bed Deck



Mattress Retainer Installation for Expandable Bed Deck

**FIGURE #16.1**

## 9. BUMPER GUARD INSTALLATION AND USAGE

There are two retractable rubber Bumper Guards on the head of the bed. When extended they will protect the walls when raising or lowering the bed. Retract the bumper guards to discreetly store under the frame.

**9.1** Insert the bumper guard stem to the bracket. Align the mounting holes and fasten the screws as noted in Figure # 16.2.



**FIGURE #16.2**

## Installations

**9.2 Extended Position:** Push the bumper guard stem upward and turn the stem outward until the screw clicks with slot as noted in Figure # 16.3.



**FIGURE #16.3**

**9.3 Retracted Position:** when bumper guard is not in use, push the stem upward and turn it inward until screw clicks with slot as noted in Figure # 16.4



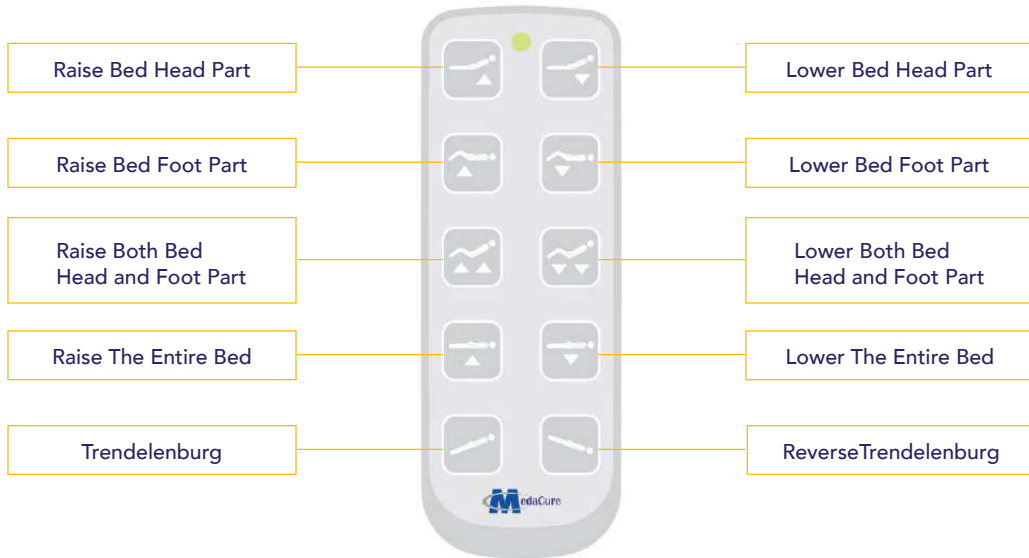
**FIGURE #16.4**

## 10. SIDE RAILS AND ASSIST BARS

**10.1** Medacure has multiple side rail and assist bar options. Please contact your dealer or authorized representative for details.

**For rail entrapment guidelines please visit the [FDA.Gov](https://www.fda.gov) website**

## 11. PATIENT REMOTE CONTROL



**FIGURE #17** Trendelenburg position



**FIGURE #17.1** Reverse trendelenburg position

## 12. TRAPEZE POLE AND IV POLE SOCKETS

There are two (2) trapeze pole sockets and two (2) IV pole sockets on the head part of the bed frame. The Trapeze IV poles are not included with the bed and should be purchased separately.