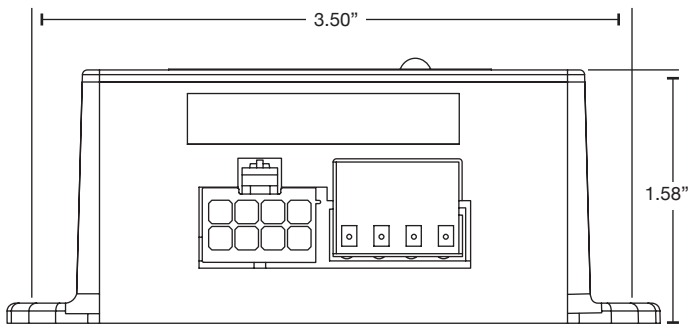


Kohler® RXT Transfer Switch Expander

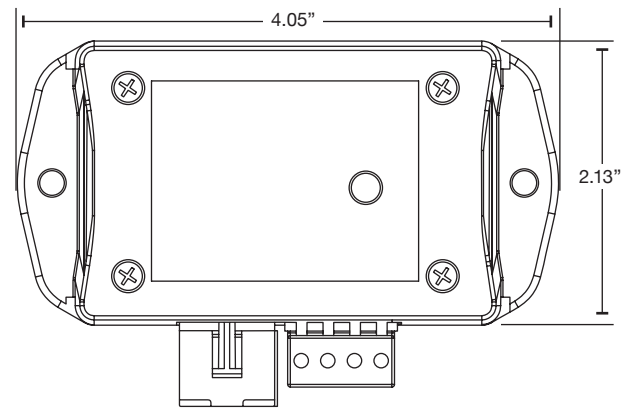


Features

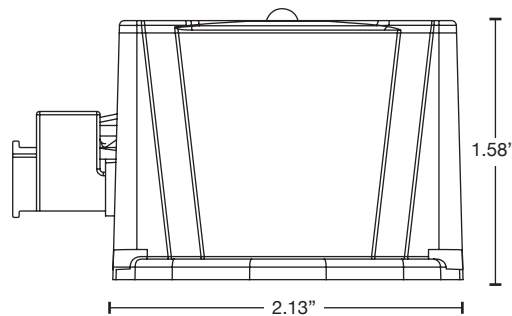
- Daisy chain multiple RXT transfer switches
- Works with Kohler RXT-JFNC models up to 200A
- Eliminates need for RDT switch as slave switch
- Comes with components necessary for a successful installation
- Transfer switch control board harness (P13 connector), plugs into jumper connector provided with KTSE-1 for added safety
- LED light illuminates upon transfer to generator power
- Maintenance free, requires no batteries or adjustments
- RXT control board can be removed from slave transfer switches
- Small footprint that easily installs in transfer switch enclosure where control board was located
- One unit required for each slave switch being installed
- 5 year warranty



Front View



Top View



Side View