



NATURE'S GENERATOR POWER PANEL

Natures Generator Inc

support@naturesgenerator.com

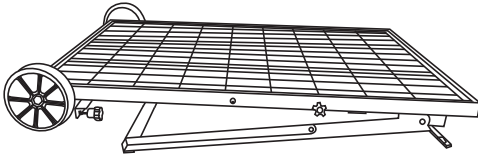
800.975.7909

How to Position the Power Panel

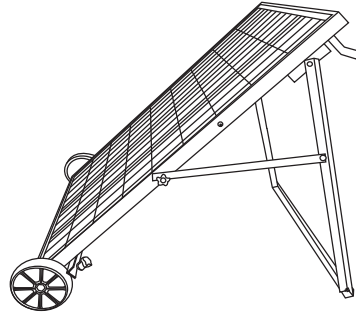
Please place your power panel where it will get as much direct sunlight as possible. There are three positions as follows:

Flat Position

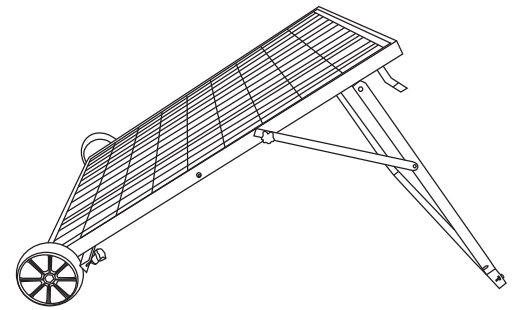
To mount the power panel semi-permanently or during travel.



Winter Position

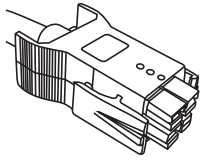


Summer Position

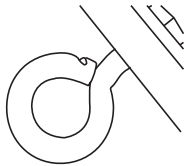


How to Use the Power Panel

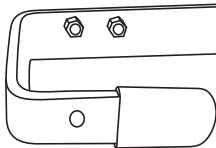
Connect the power panel cable to the solar input port.



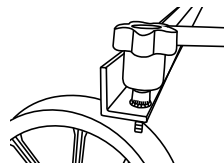
You can use the four eyebolts to anchor the power panel to the ground.



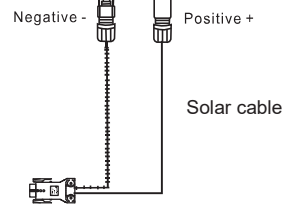
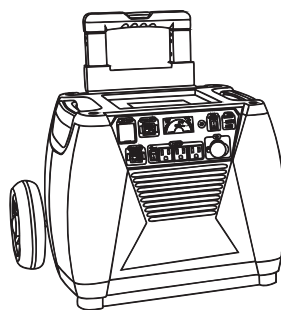
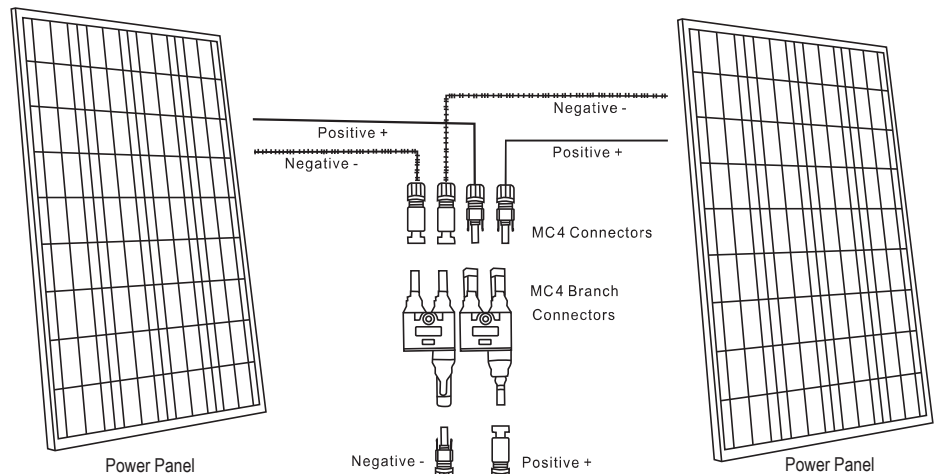
You can use handles for cable management and predrilled 6mm holes for optional mounting.



You can turn star knob clockwise to stop the wheel or counterclockwise to release.



Optional: To Double Charging Speed, Use the Parallel Connection Method



For use with
Nature's Generator /
Nature's Generator Elite

Or

For use with
Nature's Generator
Power Pod /
Nature's Generator
Power Pod Elite

Specifications:

Rated Power: 100W
Voltage: 17V ~ 22V
Fuse Rating: 8A
Cell: Monocrystalline

Certifications:



Designed in USA
Made in Vietnam

visit NaturesGenerator.com for more information