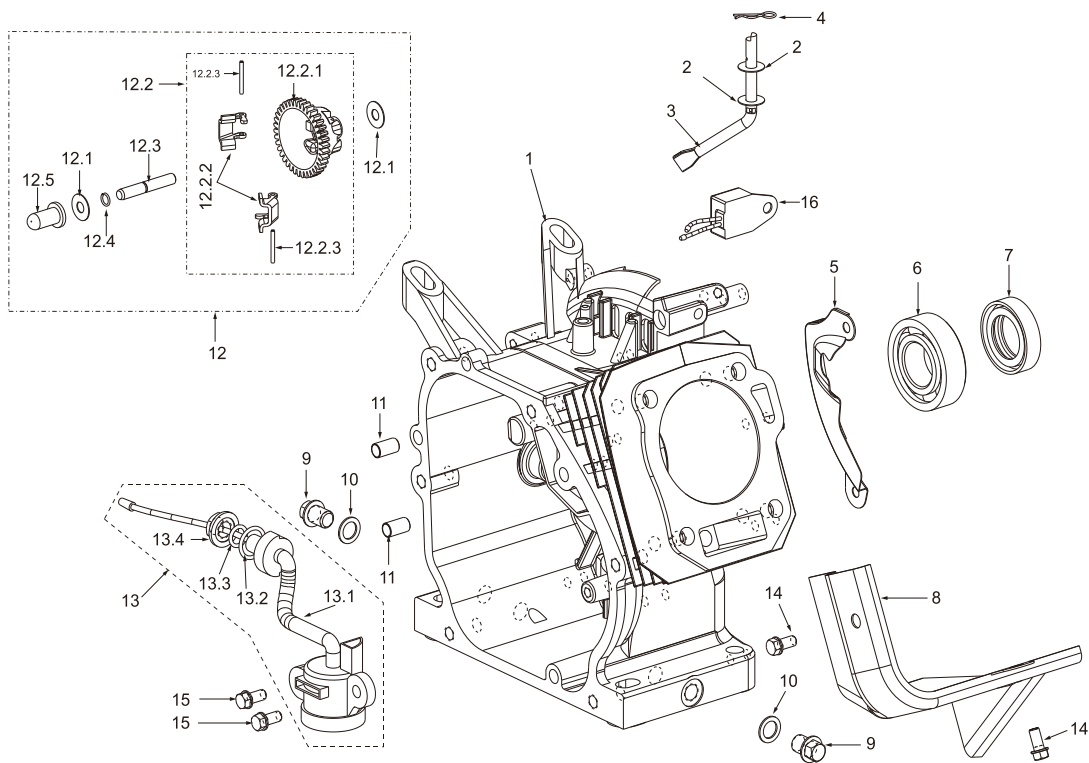


# 零部件图册

PARTS CATALOG

## GMGPW3000-E

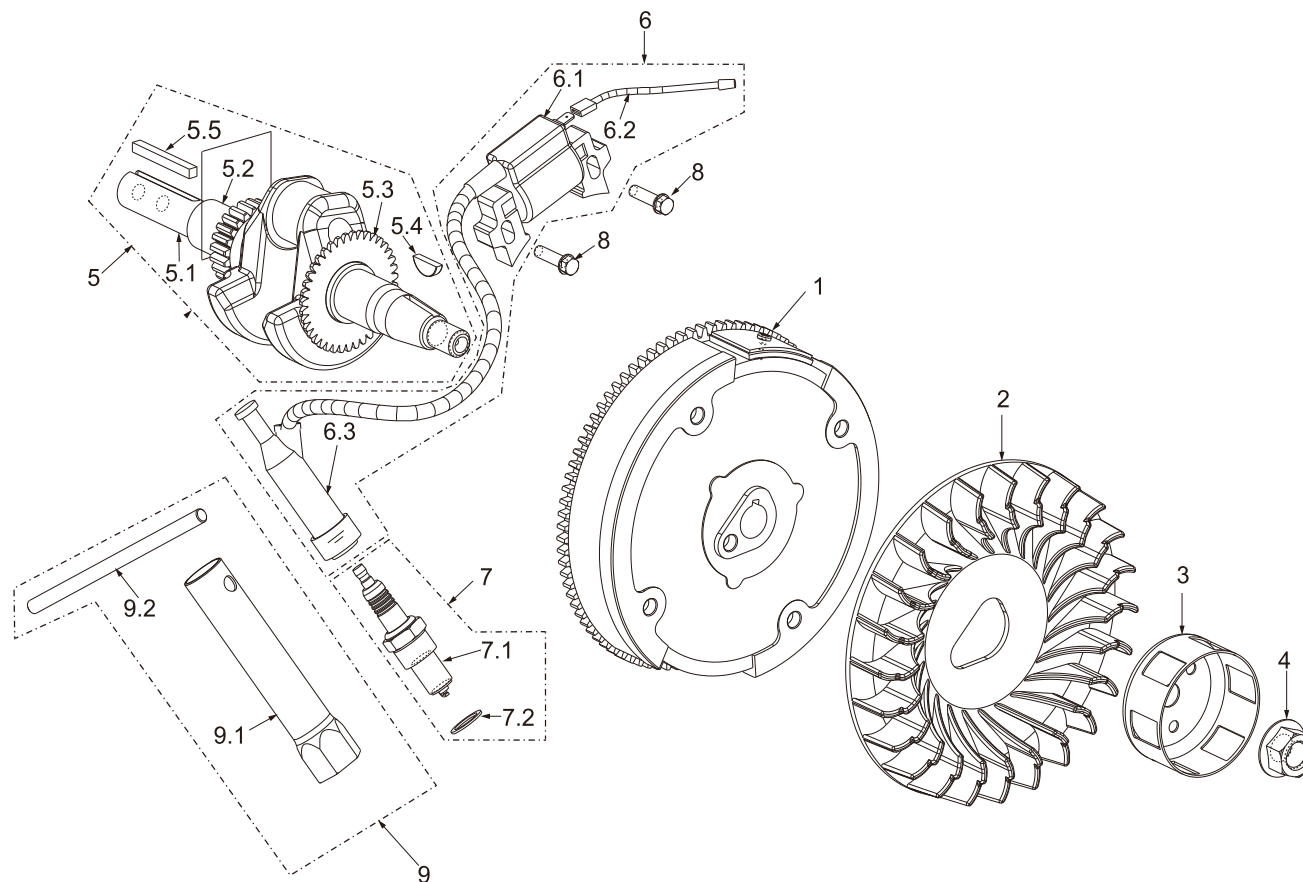
Inverter Generator



曲轴箱 (Crankcase)

序号 No.	零部件图号 Part No.	零部件名称	Description	数量 Quantity
1	1000.170.021V.00.00	曲轴箱体	Crankcase body	1
2	1110.168.R001V.67.00	垫片 $\phi 6 * \phi 15 * 0.6$	Washer, Slip cap	2
3	1100.168.001V.00.00	摆杆	Sway bar	1
4	1120.168.R001V.00.00	开口销	Split clip	1
5	2232.168.002V.00.00	侧板	Side plate	1
6	0270.168.001V.00.00	球轴承6205	Ball bearing	1
7	3150.168.002V.00.00	油封 25*41.25*6	Oil seal	1
8	2230.168.001V.00.00	下导风罩	Wind guide	1
9	1250.168.R001V.00.20	放油螺栓 M10*1.25*15	Drain bolt	2
10	1260.168.R001V.66.00	放油螺栓垫片 $\phi 10$	Washer, Drain bolt	2

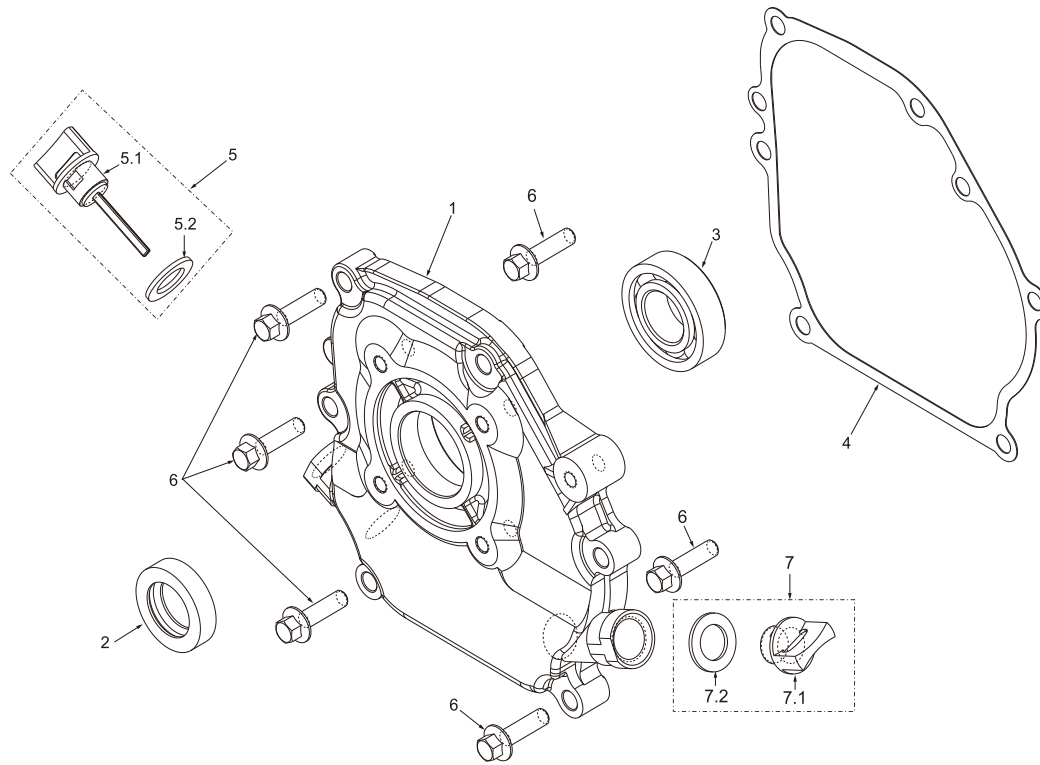
11	3170.168.R001V.00.00	定位销 8*4	Set pin	2
12	1070.168.001V.00.00	离心齿轮部件	Centrifugal gear parts	1
12.1	1070.168.001V.00.01	垫片	Washer, Slip cap	2
12.2	1070.168.001V.00.02	离心齿轮组件	Centrifugal gear ass.	1
12.2.1	1070.168.001V.00.03	离心齿轮	Centrifugal gear	1
12.2.2	1070.168.001V.00.04	离心飞块	Centrifugal block	2
12.2.3	1070.168.001V.00.05	离心飞块销	Pin, Centrifugal block	1
12.3	1070.168.001V.00.06	中心轴	Center axis	1
12.4	1070.168.001V.00.07	中心轴卡圈	Clip, Center axis	1
12.5	1070.168.001V.00.08	滑套	Slip cap	1
13	1020.168.M011.00.00	机油传感器组件	Oil sensor ass	1
13.1	1020.168.M011.00.01	机油传感器体	Oil sensor body	1
13.2	1020.168.M011.00.02	O型环Φ17×Φ2	O-ringΦ17×Φ2	1
13.3	1020.168.M011.00.03	O型环Φ11×Φ2	O-ringΦ11×Φ2	1
13.4	6177.10000.06.01	螺母M10	NutM10	1
14	5787.06010.00.01	螺栓M6×10	BoltM6×10	2
15	5787.06014.00.01	螺栓M6×14	BoltM6×14	2
16	1200.168.M030.00.00	电流放大器	Current amplifier	1



曲轴组件 (CRANSHAFT PARTS)

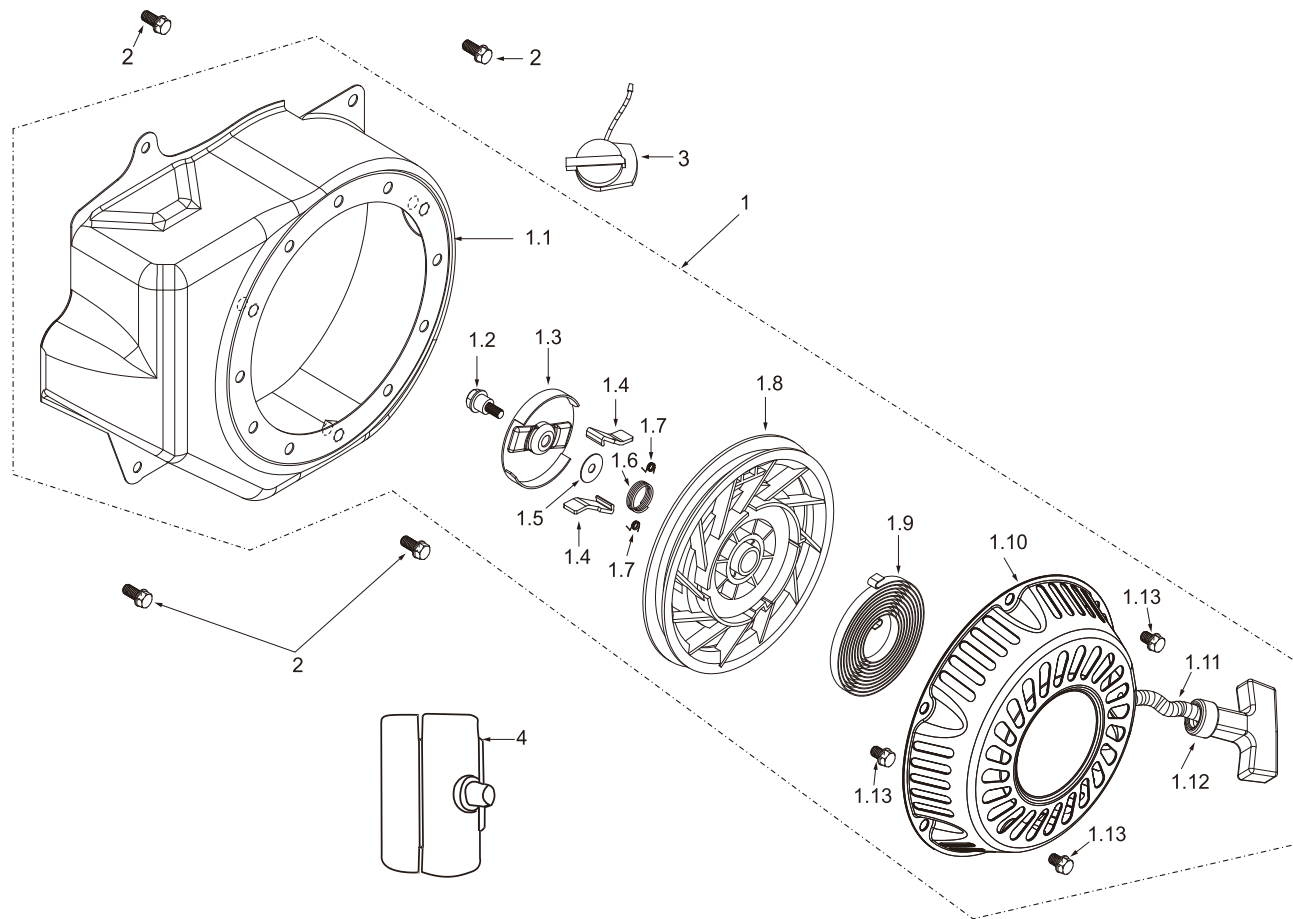
序号	零部件图号	零部件名称	Description	数量
No.	Part No.			Quantity
1	2040.168.001V.00.00	飞轮	Flywheel	1
2	2030.168.003V.63.00	飞轮风扇	Flywheel fan	1
3	2020.168.003V.00.00	起动套	Starter sleeve	1
4	6177.14000.06.01	飞轮螺母 M14×1.5	Nut, Flywheel M14×1.5	1
5	0180.170.001V.71.00	曲轴组件	Crankshaft ass	1
5.1	0180.170.001V.71.01	曲轴	Crankshaft	1

5.2	0180.170.001V.71.02	正时齿轮	Timing gear	1
5.3	0180.170.001V.71.03	调速齿轮	Governor gear	1
5.4	0180.170.001V.71.04	半圆键	Woodruff key	1
5.5	0180.170.001V.71.05	平键	Flat key	1
6	2100.168.002V.00.99	点火线圈组件	Ignition coil ass	1
6.1	2100.168.002V.00.01	点火线圈	Ignition coil	1
6.2	2100.168.002V.00.02	停机线	Stop lead	1
6.3	2100.168.002V.00.03	火花塞帽	Spark plug Cap	1
7	2160.168.001V.00.00	火花塞组件	Spark plug ass	1
7.1	2160.168.001V.00.01	火花塞	Spark plug	1
7.2	2160.168.001V.00.02	火花塞垫片	Washer, Spark plug	1
8	5787.06025.00.01	螺栓 M6×25	Bolt M6×25	2
9	2180.168.R010V.00.00	工具	Flat key	1
9.1	2180.168.R010V.00.01	火花塞套筒 Φ22×188	Wrench, Spark plug Φ22×188	1
9.2	2180.168.R010V.00.02	手柄	Handle, Wrench	1



曲轴箱盖 (Crankcase cover)

序号 No.	零部件图号 Part No.	零部件名称	Description	数量 Quantity
1	1010.168.001V.00.00	曲轴箱盖	Crankcase cover	1
2	3150.168.002V.00.00	油封 $\Phi 25 \times \Phi 41.25 \times 6$	Oil seal $\Phi 25 \times \Phi 41.25 \times 6$	1
3	0270.168.001V.00.00	球轴承 6205	Ball bearing 6205	1
4	3040.168.004V.00.00	曲轴箱纸垫	Gasket, Crankcase	1
5	1230.168.001V.16.00	机油尺组件	Oil gauge ass.	1
5.1	1230.168.001V.16.01	机油尺	Oil gauge	1
5.2	1230.168.001V.16.02	机油尺密封圈	Seal, Oil gauge	1
6	5787.08030.00.01	螺栓 M8×30	Bolt M8×30	7
7	1240.168.001V.04.00	机油塞组件	Oil plug ass.	1
7.1	1240.168.001V.04.01	机油塞	Oil plug	1
7.2	1240.168.001V.04.02	机油尺密封圈	Seal, Oil plug	1



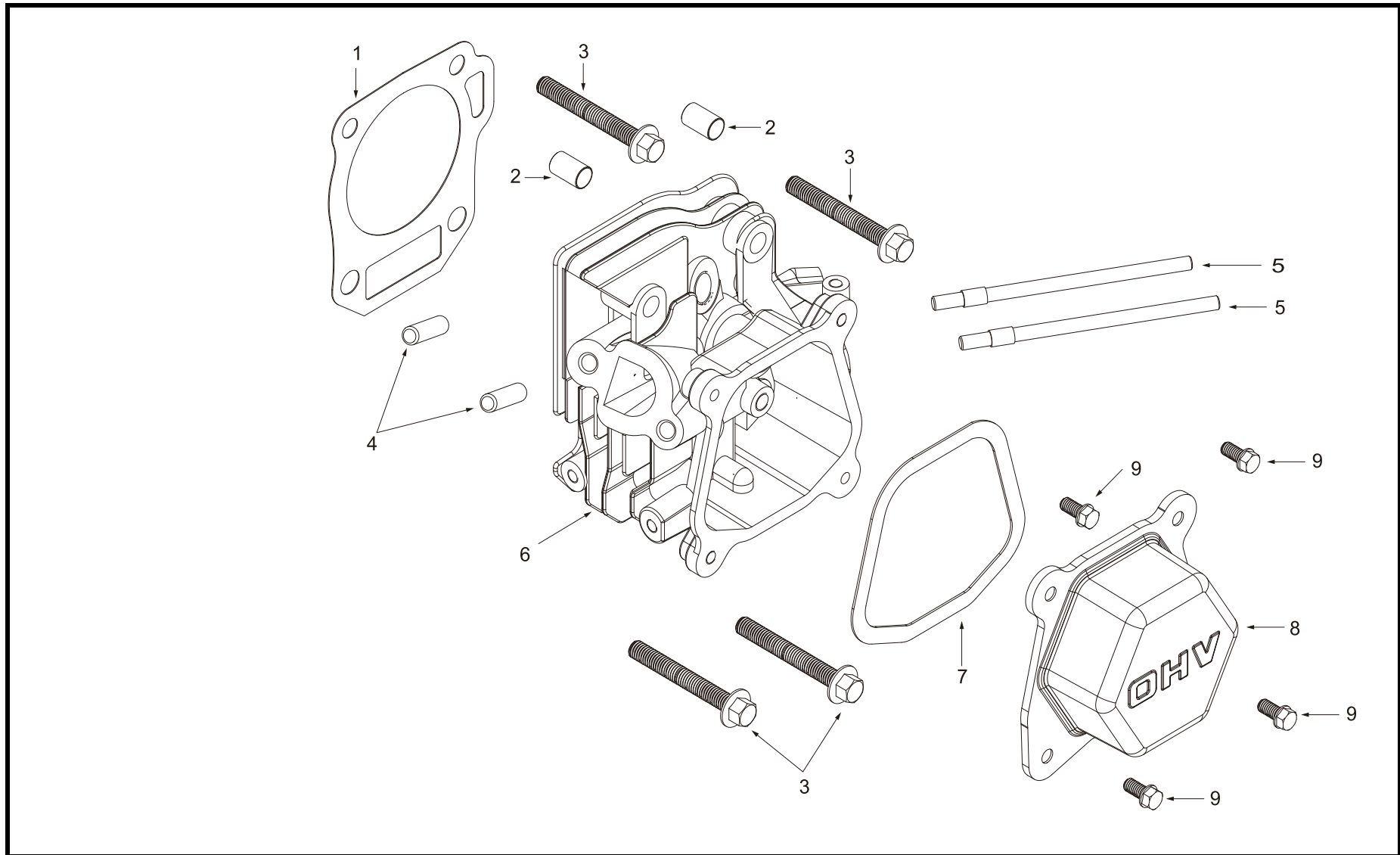
反冲起动器 (RECOIL STARTER PARTS)

序号	零部件图号	零部件名称	Description	数量
No.	Part No.			Quantity
1	2000.168.8110.73.10	反冲起动器组件	Recoil starter ass.	1
1.1	2000.168.8110.73.01	风扇罩	Fan cover	1
1.2	2000.168.8110.73.02	抽位螺栓	Pivot bolt	1
1.3	2000.168.8110.73.03	棘爪导板	Ratchet guide	1
1.4	2000.168.8110.73.04	棘爪	Ratchet	2

1.5	2000.168.8110.73.05	平垫	Washer	1
1.6	2000.168.8110.73.06	摩擦弹簧	Friction spring	1
1.7	2000.168.8110.73.07	棘爪弹簧	Ratchet spring	2
1.8	2000.168.8110.73.08	卷轮	Roller	1
1.9	2000.168.8110.73.09	起动机弹簧	Starter spring	1
1.10	2000.168.8110.73.10	起动机外壳	Starter cover	1
1.11	2000.168.8110.73.11	拉绳	Rope	1
1.12	2000.168.8110.73.12	拉手	Pulling handle	1
1.13	2000.168.8110.73.13	螺栓 M6×8	Bolt M6×8	3
2	5787.06012.00.01	螺栓 M6×12	Bolt M6×12	4
3	2140.168.005V.00.00	熄火开关	Engine stop	1
4	2365.168.001V.00.00	线套	Line set	1



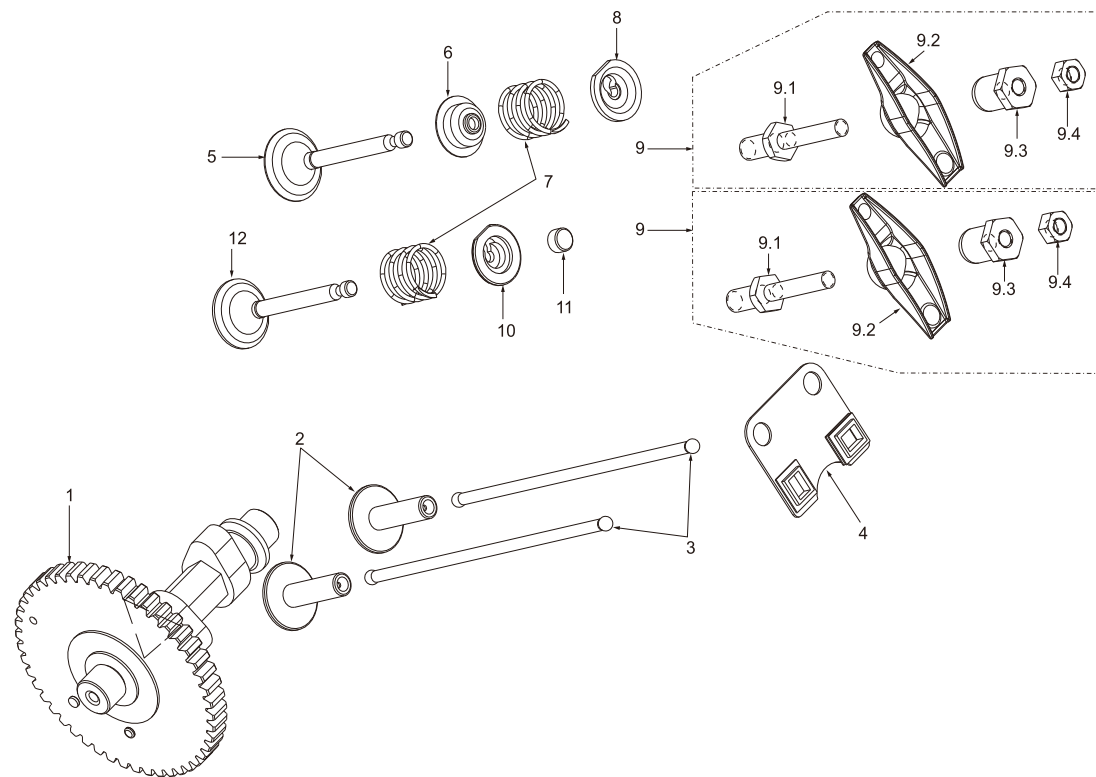
2	3170.168.002V.00.00	定位销 $\Phi 10 \times 14$	Set pin $\Phi 10 \times 14$
3	5789.08060.00.10	螺栓 M8 $\times$ 60	Bolt M8 $\times$ 60
4	R0900.08032.00.01	双头螺栓 M8 $\times$ 32	Stud, Exhaust port M8 $\times$ 32
5	0900.68113.00.01	双头螺栓 M6 $\times$ 8 $\times$ 113	Stud, Intake port M6 $\times$ 8 $\times$ 113
6	0010.F68.010V.00.00	缸头组件	Cylinder head ass.
7	3000.168.001V.00.00	缸头盖橡胶圈	Gasket, Cylinder head cover
8	0001.168.007V.00.01	缸头盖组件	Cylinder head cover
9	5787.06012.00.01	螺栓 M6 $\times$ 12	Bolt M6 $\times$ 12



缸头组件 (CYLINDER HEAD PARTS)

序号 No.	零部件图号 Part No.	零部件名称	Description	数量 Quantity
1	3020. T70. 001V. 00. 00	缸头垫片	Gasket, Cylinder head	1

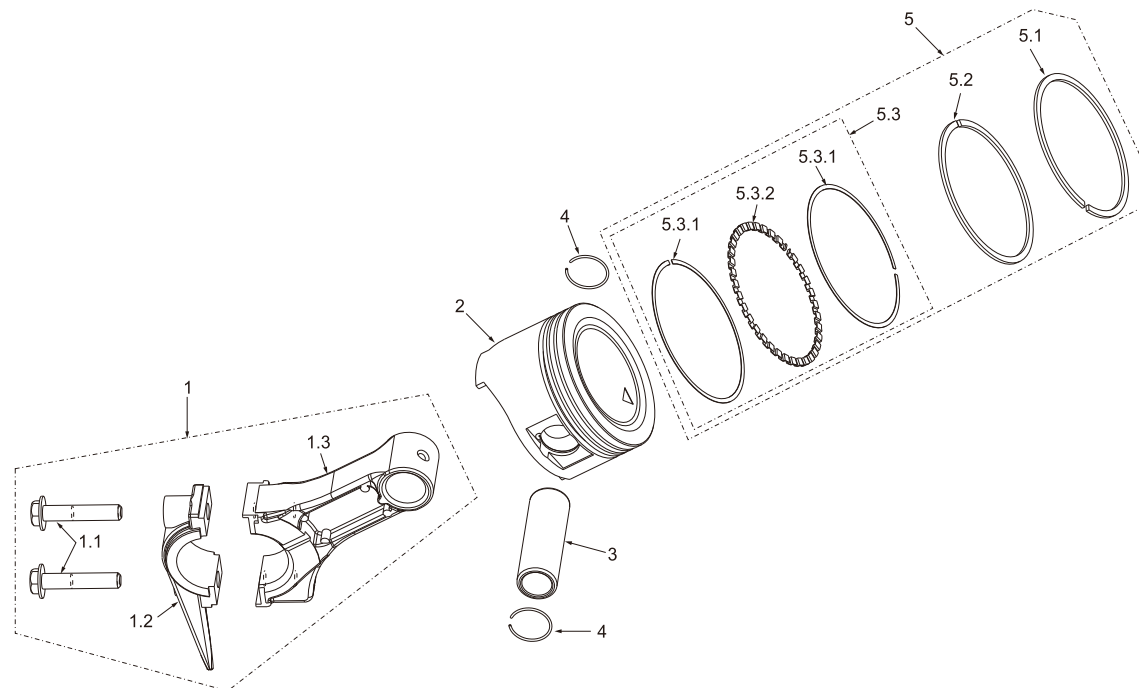
2	3170.168.002V.00.00	定位销 $\Phi 10 \times 14$	Set pin $\Phi 10 \times 14$	2
3	5789.08060.00.10	螺栓 M8 $\times$ 60	Bolt M8 $\times$ 60	4
4	R0900.08032.00.01	双头螺栓 M8 $\times$ 32	Stud, Exhaust port M8 $\times$ 32	2
5	0900.68113.00.01	双头螺栓 M6 $\times$ 8 $\times$ 113	Stud, Intake port M6 $\times$ 8 $\times$ 113	2
6	0010.F68.010V.00.00	缸头组件	Cylinder head ass.	1
7	3000.168.001V.00.00	缸头盖橡胶圈	Gasket, Cylinder head cover	1
8	0001.168.007V.00.01	缸头盖组件	Cylinder head cover	1
9	5787.06012.00.01	螺栓 M6 $\times$ 12	Bolt M6 $\times$ 12	1



凸轮轴组件 ( CAMSHAFT PARTS)

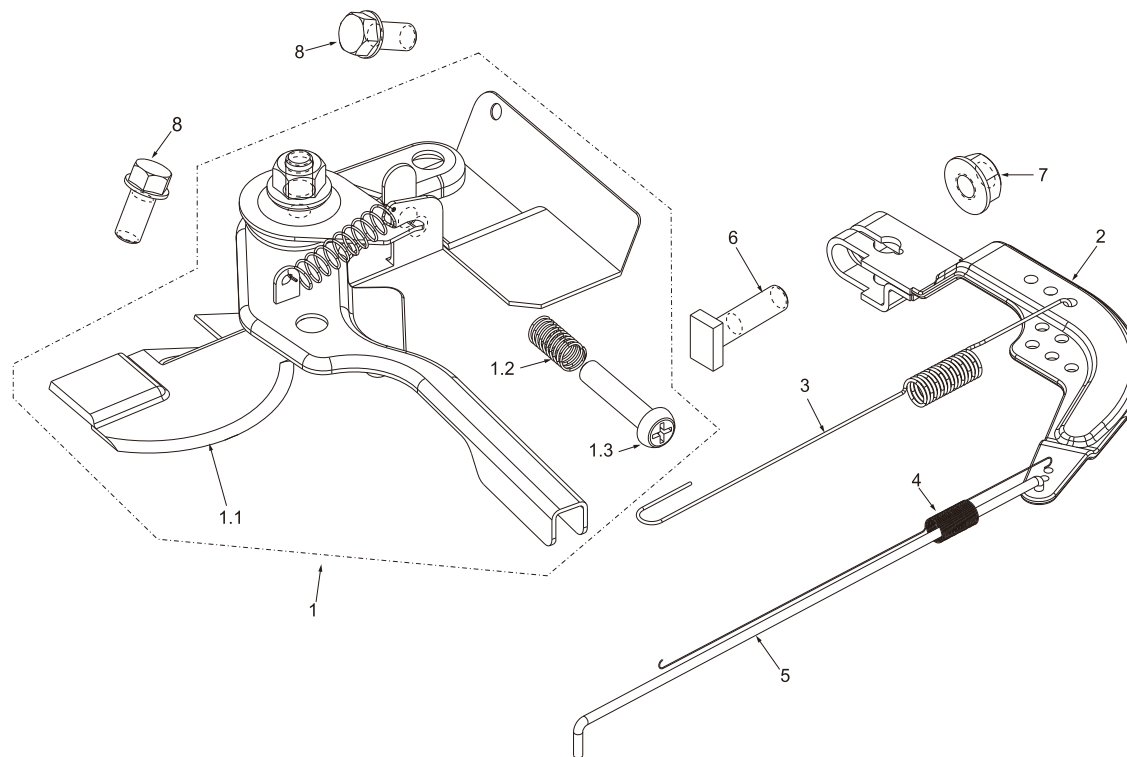
序号 No.	零部件图号 Part No.	零部件名称	Description	数量 Quantity
1	1040.F68.M01V.00.00	凸轮轴	Camshaft ass.	1
2	1030.F68.001V.00.00	挺柱	Tappet	2
3	0160.168.003V.00.00	推杆	Pusher	2
4	0150.168.M01V.00.00	推杆架	Pusher guide	1
5	0020.168.001V.00.00	进气阀	Intake valve	1
6	0085.F68.R001V.00.00	气阀油封	Oil seal, Intake valve	1
7	0040.168.001V.00.00	气门弹簧	Valve spring	2
8	0060.168.R001V.00.00	进气阀弹簧座	Spring seat, Intake valve	1
9	0100.168.001V.00.00	摇臂组件	Rocker ass.	2
9.1	0100.168.001V.00.01	双头螺栓 M6×52, Pitch=0.75	Stud, Rocker M6×52, Pitch=0.75	2

9.2	0100.168.001V.00.02	摇臂	Rocker	2
9.3	0100.168.001V.00.03	球头调节螺母 M6,Pitch=0.75	Adjust nut, sphere M6,Pitch=0.75	2
9.4	0100.168.001V.00.04	锁紧螺母 M6,Pitch=0.75	Lock nut M6,Pitch=0.75	2
10	0070.168.001V.00.00	排气阀弹簧座		1
11	0090.168.001V.00.00	排气阀顶帽	Cap, Exhaust valve	1
12	0030.168.001V.01.00	排气阀	Exhaust valve	1
13	1050.168.002V.00.00	凸轮轴耐磨垫片 $\Phi 14 \times \Phi 20 \times 0.2$	Camshaft wear gasket $\Phi 14 \times \Phi 20 \times 0.2$	1



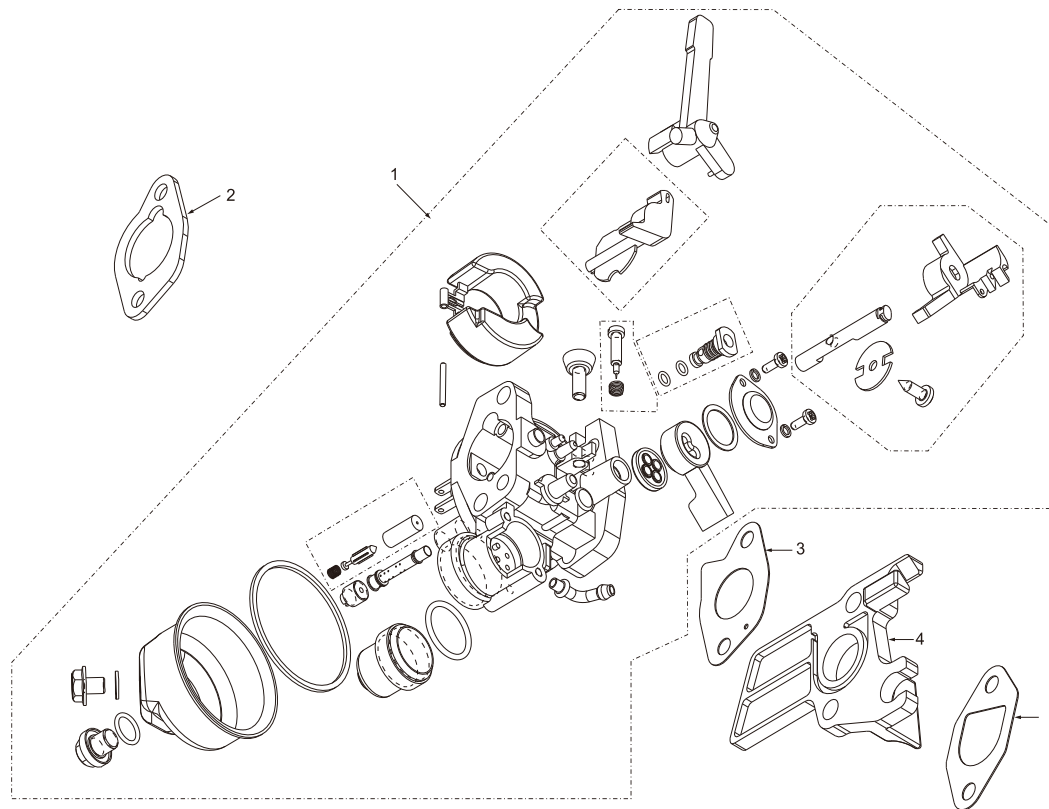
活塞组件 (Piston parts)

序号 No.	零部件图号 Part No.	零部件名称	Description	数量 Quantity
1	0190.168.001V.00.00	连杆组件	Connecting rod ass.	1
1.1	0190.168.001V.00.01	连杆螺栓 M7×35	Bolt, Connecting rod M7×35	2
1.2	0190.168.001V.00.02	连杆盖	Cover, Connecting rod	1
1.3	0190.168.001V.00.03	连杆体	Body, Connecting rod	1
2	0200.170.E01V.00.00	活塞	Piston	1
3	0220.168.001V.00.00	活塞销 $\Phi 18 \times \Phi 13 \times 53.8$	Piston pin $\Phi 18 * \Phi 13 \times 53.8$	1
4	0230.168.001V.00.00	活塞销卡圈 $\Phi 19.1 \times \Phi 0.9$	Clip, Piston pin $\Phi 19.1 \times \Phi 0.9$	2
5	0210.170.E01V.00.00	活塞环组件	Piston ring ass	1
5.1	0210.170.E01V.00.01	第一气环	First air ring	1
5.2	0210.170.E01V.00.02	第二气环	Second air ring	1
5.3	0210.170.E01V.00.03	油环组件	Oil ring ass	1
5.3.1	0210.170.E01V.00.04	刮油环	Scraper ring	2
5.3.2	0210.170.E01V.00.05	衬环	Set off ring	1



调速座组件 (Speed adjustment base parts)

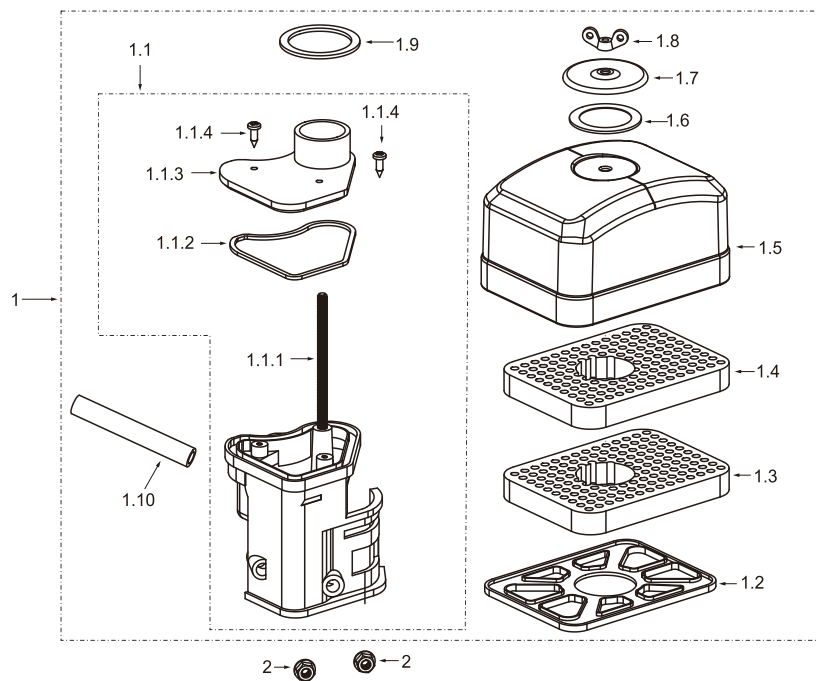
序号 No.	零部件图号 Part No.	零部件名称	Description	数量 Quantity
1	1180.168.001V.00.00	调速架部件	Speed adjustment base parts.	1
1.1	1180.168.001V.00.01	调速架部件	Speed adjustment base ass.	1
1.2	1180.168.001V.00.02	调整弹簧	Adjustment spring	1
1.3	1180.168.001V.00.03	调整螺钉	Adjustment screw	1
2	1130.168.A01V.00.00	调速臂	Speed adjustment arm	1
3	1150.168.004V.00.00	复位弹簧	Return spring	1
4	1160.168.001V.00.00	微调弹簧	Fine adjustment spring	1
5	1140.168.001V.00.00	拉杆	Pulling rod	1
6	1170.168.001V.00.20	方形螺栓 M6×21	Quadrade bolt M6×21	1
7	6177.06000.00.01	螺母 M6	Nut M6	1
8	5787.06012.00.01	螺栓 M6×12	Bolt M6×12	2



化油器部件 (Carburetor parts)

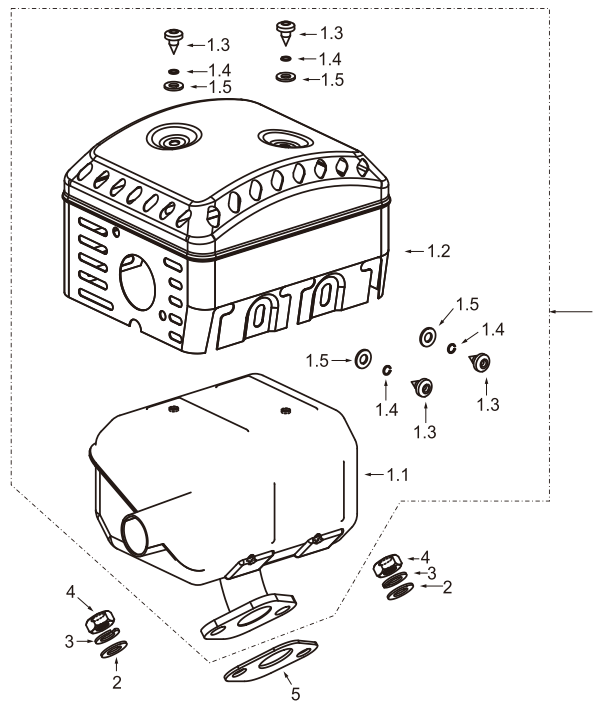
序号 No.	零部件图号 Part No.	零部件名称	Description	数量 Quantity
1	2260.170.C040.00.00	化油器组件	Carburetor ass.	1
2	3095.168.008V.00.00	空滤器垫	Steel gasket	1
3	3080.168.004V.00.00	化油器纸垫	Gasket, carburetor	1
4	2300.168.001V.00.00	化油器接块	Block, carburetor	1
5	3060.168.004V.00.00	进气口纸垫	Gasket, Inlet port	1





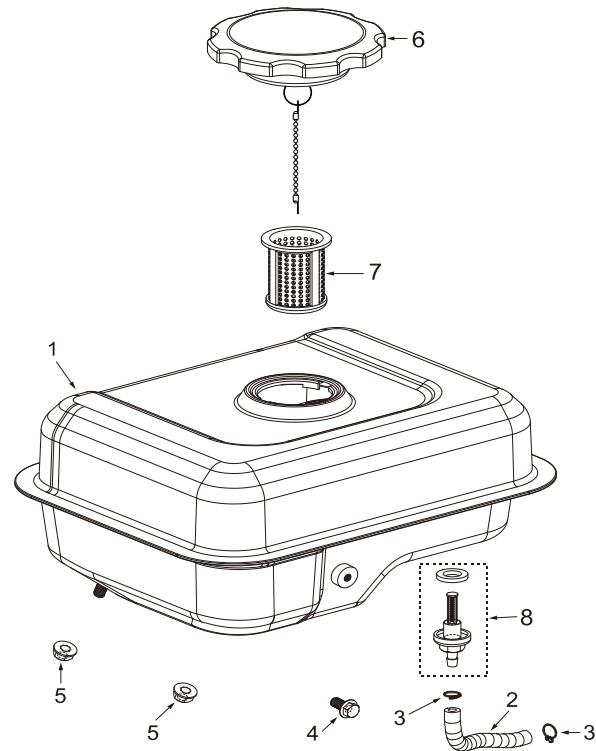
空滤器 (Air cleaner)

序号	零部件图号	零部件名称	Description	数量
No.	Part No.			Quantity
1	2280.H68.C020.00.00	空滤器组件	Air cleaner ass.	1
1.1	2280.H68.C020.00.01	空滤器座组件	Air cleaner seat ass.	1
1.1.1	2280.H68.C020.00.02	空滤器座	Air cleaner seat	1
1.1.2	2280.H68.C020.00.03	密封垫	Seal ring	1
1.1.3	2280.H68.C020.00.04	盖板	Cover board	1
1.1.4	2280.H68.C020.00.05	螺钉	Screw	2
1.2	2280.H68.C020.00.06	隔板	Clapboard	1
1.3	2280.H68.C020.00.07	泡沫滤芯A	Foam filter A	1
1.4	2280.H68.C020.00.08	泡沫滤芯B	Foam filter B	1
1.5	2280.H68.C020.00.09	泡沫滤芯盒	Foam filter case	1
1.6	2280.H68.C020.00.10	密封环	Seal ring	1
1.7	2280.H68.C020.00.11	空滤器盖	Air cleaner cover	1
1.8	2280.H68.C020.00.12	蝶形螺母	Butterfly nut	1
1.9	2280.H68.C020.00.13	密封环	Seal ring	1
1.10	2280.H68.C020.00.14	废气管	Air duck	1
2	6177.06000.00.01	螺母 M6	Nut M6	2



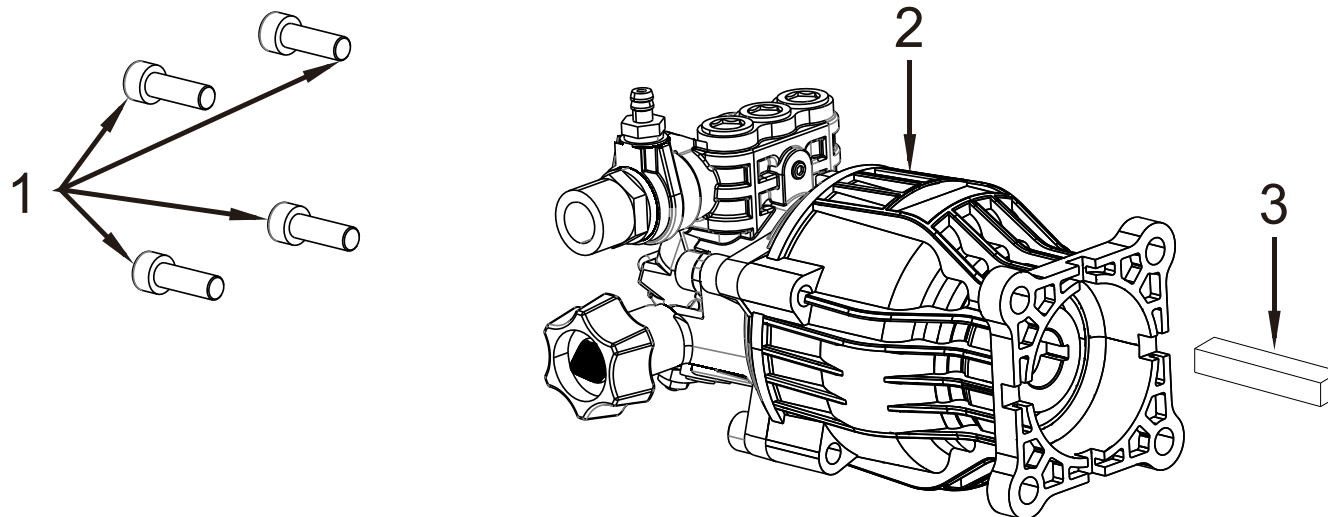
消声器 (Muffler parts)

序号 No.	零部件图号 Part No.	零部件名称	Description	数量 Quantity
1	2400.H68.001V.00.00	消声器组件	Muffler ass.	1
1.1	2400.H68.001V.00.01	消声器本体	Muffler body	1
1.2	2400.H68.001V.00.02	消声器护罩	Protector, muffler	1
1.3	2400.H68.001V.00.03	螺钉 M5×8	Screw M5×8	4
1.4	2400.H68.001V.00.04	弹垫 Φ5	Spring washer Φ5	4
1.5	2400.H68.001V.00.05	平垫 Φ5	Washer Φ5	4
2	6170.08000.00.01	螺母 M8	Nut M8	2
3	0097.08000.00.01	弹垫 Φ8	Spring washer Φ8	2
4	6177.08000.00.01	螺母 M8	Nut M8	2
5	3100.168.004V.00.00	消声器垫片	Gasket, Muffler	1



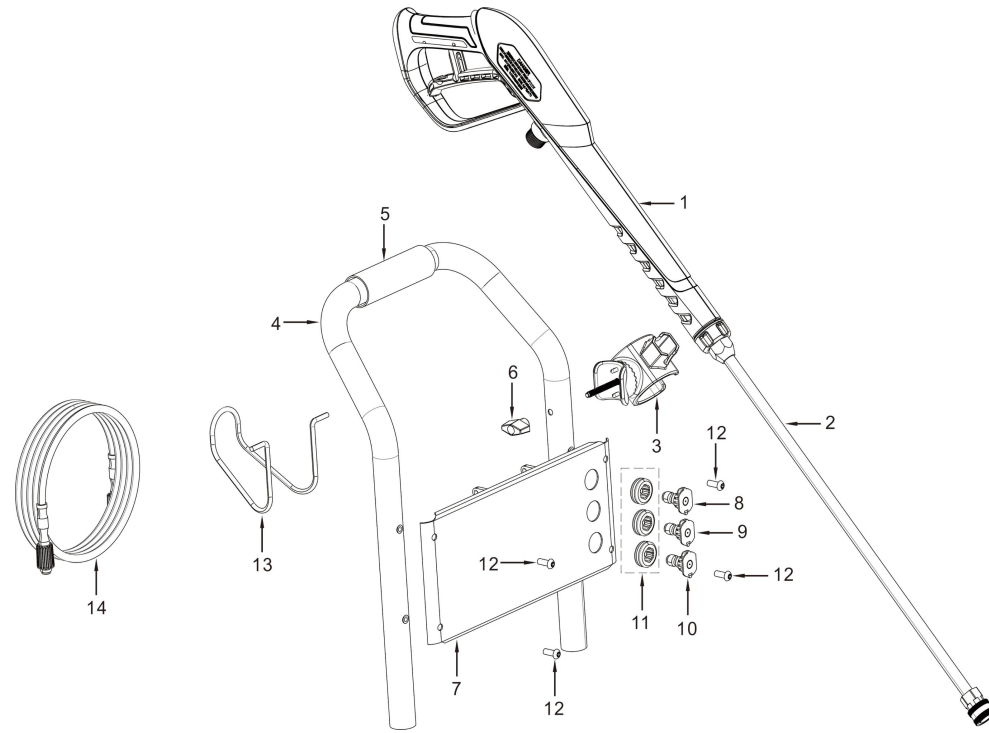
燃油箱部件 (Fuel tank components)

序号 No.	零部件图号 Part No.	零部件名称	Description	数量 Quantity
1	3201.H68.C010.P4.00	油箱	Fuel tank	1
2	2330.188.C02V.00.22	油管 4.5×8.5×160	Fuel tube 4.5×8.5×160	1
3	2360.458.R004V.00.00	油管卡圈 Φ8	Clip, fuel tube	2
4	5787.06028.00.01	螺栓 M6×28	Bolt M6×28	1
5	6170.06000.00.01	螺母 M6	Nut M6	2
6	3203.168.C05V.00.00	油箱盖组件	Fuel tank cover ass.	1
7	3204.168.003V.00.00	滤网组件	Fuel filter ass.	1
8	3206.168.R001V.00.00	出油接头组件	Fuel joint ass.	1



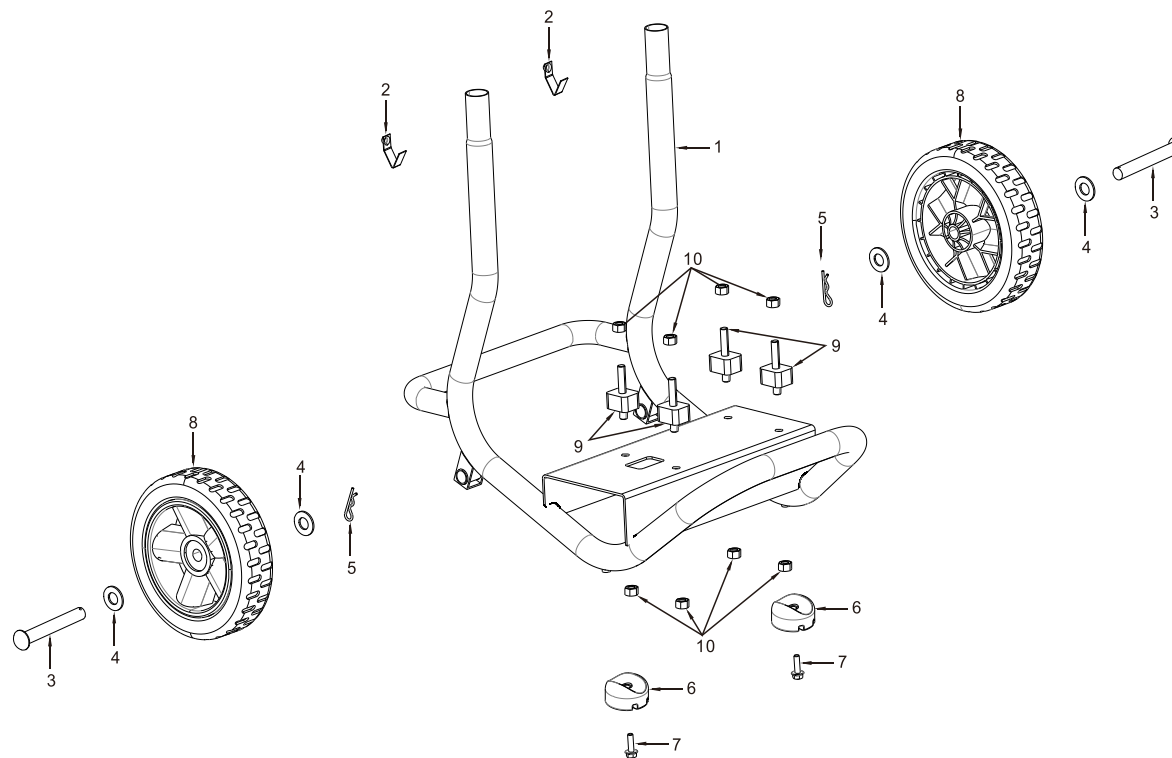
泵体 ( Pump body )

序号 No.	零部件图号 Part No.	零部件名称	Description	数量 Quantity
1	0070.08025.00.01	内六角螺栓 M8*25	Bolt	3
2	7130.W01.0010.00.00	斜盘泵	Swashplate pump	1
3	3190.168.012V.00.00	平键 4.78*4.78*35	Flat key	1



面板 喷枪 (Panel Gunjet)

序号 No.	零部件图号 Part No.	零部件名称	Description	数量 Quantity
1	4514.W02.0020.00.00	喷枪	Gunjet	1
2	7141.W02.0010.00.00	喷杆	lance boom	1
3	7144.W02.0010.00.00	枪架总成	Frame assembly	1
4	6003.W02.0010.D7.00	把手	handle	1
5	7136.W02.T01V.00.00	把手胶套	Handle rubber sleeve	1
6	7140.W02.0010.00.00	手紧螺母	Nut	1
7	7132.W02.0010.D7.00	喷嘴固定面板座	Nozzle fixing panel seat	1
8	4510.W02.0010.00.00	喷嘴0°	Nozzle	1
9	4510.W02.0020.00.00	喷嘴25°	Nozzle	1
10	4510.W02.0030.00.00	皂液喷嘴	Nozzle	1
11	7133.W02.0010.00.00	喷嘴固定套	Nozzle fixing sleeve	1
12	0702.06016.00.04	内六角圆头螺栓M6*16	Bolt	4
13	7135.W02.0010.00.00	管子挂钩	Pipe hook	1
14	4512.W02.0010.00.00	高压管	High pressure pipe	1



轮子 (Wheel)

序号 No.	零部件图号 Part No.	零部件名称	Description	数量 Quantity
1	7145.W01.0010.D7.00	车架	Frame	1
2	7131.W02.0010.00.00	弹扣	Snap buckle	2
3	6004.W01.0010.00.00	轮轴	Wheel axle	2
4	4100.460.0110.20.00	非标平垫 14*28*2	Flat gasket	4
5	7341.855.001V.21.00	R销	R pin	2
6	6005.W02.0010.00.00	支撑地脚	Supporting anchor	2
7	5787.06020.00.01	带盘螺栓 M6*20	Bolt	2
8	3332.W01.0010.00.00	轮子	Wheel	3
9	3355.W01.0010.00.00	双头螺栓圆形直减震	Stud round straight shock absorption	4
10	6177.08000.00.01	螺母 M8	Nut	8