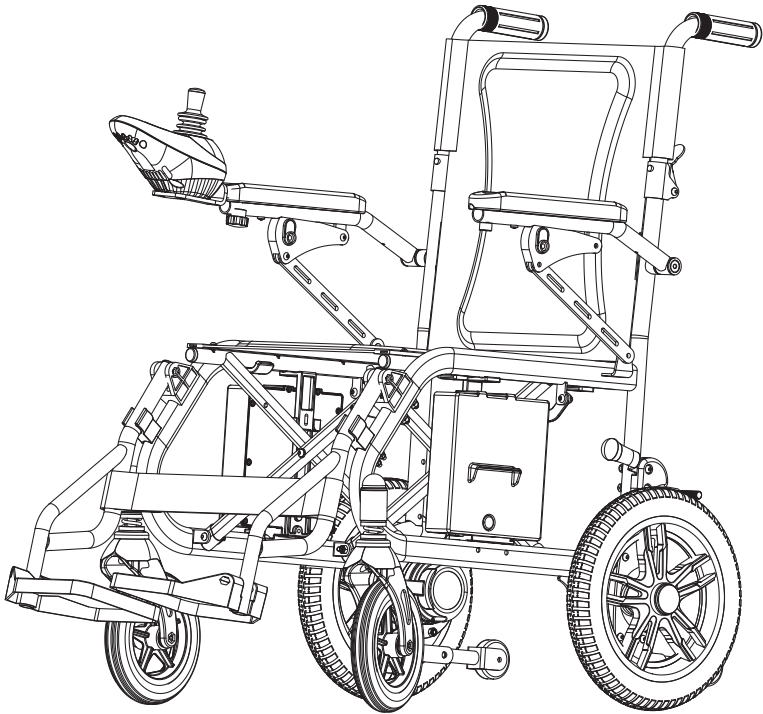




Portable Wheelchair Operator's Manual



WARNING:

Carefully review and understand all **INSTRUCTIONS** prior to operating this device. Failure to follow the safety rules and other basic safety precautions may result in serious personal injury. Keep these instructions in a safe place and accessible so that they can be reviewed as required. Keep these instructions to assist in future servicing needs.



INDEX

1. WARNING -----	1
2. TECHNICAL SPECIFICATIONS -----	1
3. MAIN COMPONENTS -----	2
4. SAFETY GUIDELINES -----	3
5. SAFETY OF USE -----	3~4
6. ASSEMBLY -----	5~8
7. BATTERY AND CHARGER -----	8~9
8. OPERATION -----	9~10
9. MAINTENANCE AND STORAGE -----	11
10. TROUBLE SHOOTING -----	12
11. WARRANTY -----	12

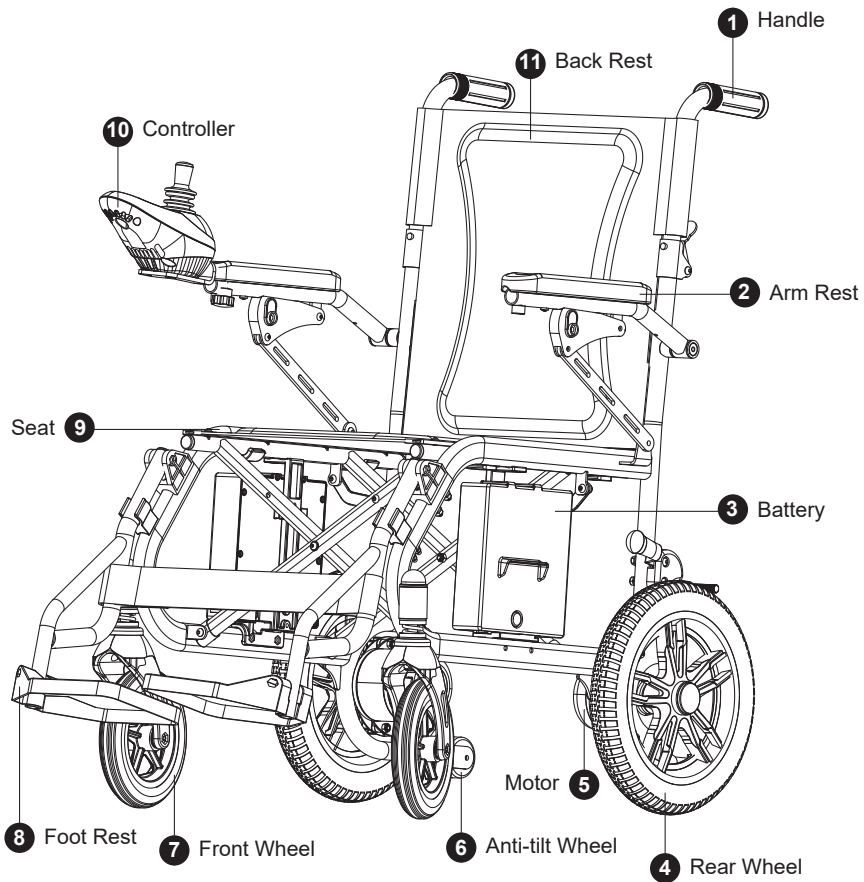
1. WARNING

1. Please check all parts and components before use and make sure they are in good condition.
2. Inflate the tire to **Max.35PSI. DO NOT** overinflation.
3. Please consciously observe the traffic rules and drive on non-motorized lanes to ensure your safety and that of others.
4. Do not use a folding wheelchair when drunk or medicated.
5. Be sure to drive slowly and don't take people with you by wheelchair.
6. Do not disassemble batteries, motors, controllers by yourself. If you need to replace them, please purchase the original parts from the authorized agent. (Refit to use non-factory parts may cause the wheelchair to exceed the warranty.)
7. For your safety and that of others, do not use electric wheelchairs with minors, people with intellectual disabilities, pregnant women or others who are not suitable for use in electric wheelchairs.

2. TECHNICAL SPECIFICATIONS

SKU#	GUT155
Materials	Aluminum
Maximum Weight Capacity	220Lbs (100kg)
Front Wheel	7" Solid tires
Rear Wheel	12" Pneumatic tires (Max.35PSI)
Maximum Speed	3.73Mph (6km/h)
Climbing Ability	≤ 9 °
Theoretical Driving Distance	3.73mile (6km)
Minimum Radius of Gyration	≤35.5" (900mm)
Brake System	Electromagnetic brake
Battery Type	24V DC 6Ah (lithium battery)
Charger Input	110-240V AC, 50/60Hz, Max.2.5A
Charger Output	29.4V DC 2A
Motor power	250W (Single motor power)
N.W. (Without battery)	39Lbs (17.7kgs)
Assembly dimension (LxWxH)	36.2"*21.7"*35" (920*550*890mm)
Folded dimension (LxWxH)	23.6"*12.6"*28.4" (600*320*720mm)




3. MAIN COMPONENTS



4. SAFETY GUIDELINES

Please read this manual carefully before operation. Improper use may lead to self-injury, others' injury or traffic accident.

1. This manual covers the operation and assembly of the wheelchair and how to deal with any possible accidents.
2. Be sure to read this manual carefully if any of the following symbols appear.

 WARNING	Inappropriate use will result in death or serious injury.
 CAUTION	Inappropriate use will result in injury or damage.
 RECOMMENDATION	Follow the rules of this manual to keep the wheelchair in good condition.

3. This manual contains the Daily Maintenance Checklist. Place this manual in place on the wheelchair.
4. If anyone else uses this car, be sure to provide this manual for reference and read it carefully.
5. Due to quality improvement or design change, the text and illustrations in this manual are slightly different from those in the actual wheelchair. We reserve the right to revise the manual. Unlike the real car, please take the real car as the standard.
6. In case of any incomprehension or inappropriateness, please contact the purchasing dealer or contact us as soon as possible.
7. Waste disposal



Electrical parts should be recycled by designated authorities according to local laws and regulations. Plastic parts, frames and pipe parts can be recycled by professional recycling units after reaching their service life.

5. SAFETY OF USE

Any wrong use of a wheelchair can cause harm. Careless driving may endanger your own safety as well as the safety of others. Please follow our rules and use your wheelchair wisely.

- Check the condition of the tires to ensure that they are free from damage or excessive wear.
- Check all electrical components to make sure they are connected without corrosion.
- Check the brakes for proper operation.
- Check battery status to make sure the battery is fully charged.
- Sit in front of the seat and make sure the wheelchair is fully open.

1. General Driving Considerations

- Keep your hands on the armrest to control the wheelchair and make sure there are no obstacles ahead.
- Before you get used to driving, practice in a safe and spacious place such as a park.
- Practice driving in a safe place. Remember to walk, stop and spin.
- Please walk with the escort when you first leave the road, and walk in a safe condition.
- Please take a pedestrian position, observe the traffic regulations and do not look upon yourself as a driver.
- Please walk on pavement and zebra crossing. Drive on the right side of the unpaved road.
- Please drive smoothly to avoid snaking and sharp turns.
- When using pneumatic tires, maintain the specified tire pressure. Abnormal tire pressure may cause uneven driving or excessive current loss.

2. Avoid driving in the following circumstances or places. Please go with the escort.

- Drive in bad weather (rainy days, fog, strong winds, snow, etc).
- In case you get wet, wipe the water dry immediately.
- Bad road driving (muddy, snowy, sandy, broken stone, etc).
- A heavily trafficked road.
- An unfenced shoulder road, pond, etc.
- Crossing the railway fork.

If you have to cross the railway, pause with the fork to make sure the left and right sides are safe, and the tracks will not get stuck on the wheels to ensure that the car and the tracks are in good condition.

This wheelchair is intended for use by a single person only. It shall not carry other persons or articles or be used as a tractor.

3. Attention on Uphill and Downhill Slopes

- Avoid steep slopes. Walk at an angle of less than 10 degrees. And please be very careful with the controls.
- Both uphill and downhill must move forward.
- Please travel at the lowest speed when you go downhill.
- Avoid going sideways or sloping on steep slopes. The walking tilt angle is about 3 degrees.
- Driving on the steps is prohibited. Also avoid crossing high steps. Be sure to cross the steps at right angles to them.
- Avoid crossing wide ditches.
- When crossing a ditch, be sure to travel at right angles to the ditch.

4. Attention of accompanying personnel

WARNING

- Do not set the wheel in neutral mode during the uphill and downhill sections.
- Please call the passers-by for help immediately when the product fails at the intersection and push off the site, or evacuate personnel to a safe area.
- When used in the hospital, it cannot be used in the MRI examination room.

5. Other considerations

- Repair and transformation
If necessary, please contact customer service center, improper self-improvement may be the cause of accidents or failures.
- Environmental protection
In order to maintain the earth's environment, scrap cars or unserviceable batteries should not be discarded casually. Contact the local electric wheelchair maintenance site to exchange the old ones for new ones.
- Please keep dry
Do not place the wheelchair in a wet place, e.g. Put the wheelchair aside in the shower. Dry immediately if wet.

WARNING

- Do not arbitrarily change the assembly or material of the wheelchair without our confirmation.
- Do not increase weight arbitrarily to avoid imbalance.
- When someone is sitting on the wheelchair, do not use other wheelchairs to pull or push the wheelchair.
- Please contact us immediately if there is any unusual sound.

6. ASSEMBLY

The electric wheelchairs can be easily opened and folded without tools.

⚠ WARNING

Do not sit in a seat or drive a wheelchair until the power wheelchair is fully switched on.

⚠ WARNING

Read the instructions carefully before turning on the electric wheelchair.

1. Unpacking

Take the product out of package. Check all components following the main components. If any missing, connect customer service immediately.

2. Taking out the wheelchair

- a. Press down with both hands at middle of wheelchair until the wheelchair is fully opened (**Fig.01**).
- b. Hold the handle tube of the wheelchair in both hands, lift it up until the backrest is unfolded (**Fig.02**). Make sure that the elastic pin clicks into the hole of the handle tube to ensure safe use.

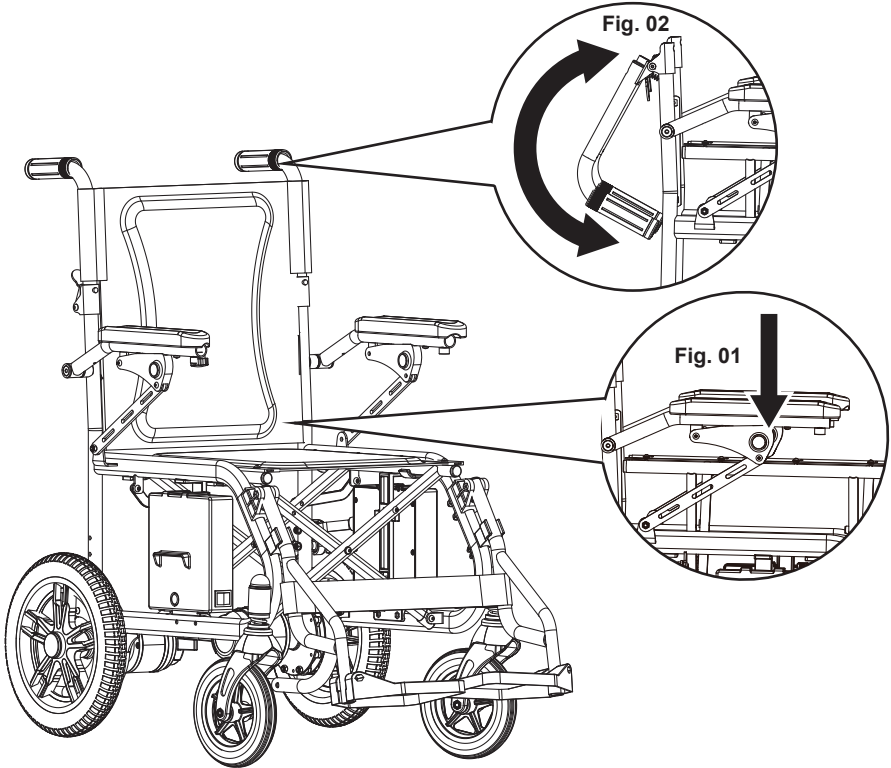


Fig. 03

3. Installing the controller

- a. Insert one end of the telescopic pipe of the controller into the controller fixing pipe at the lower of the right armrest pipe of the wheelchair (**Fig.04**).
- b. Adjust the controller to position and lock the knob. Connect the power supply cable.
- c. The controller also can be mounted at the left armrest. Don't forget to re-align the power supply cable to left side.

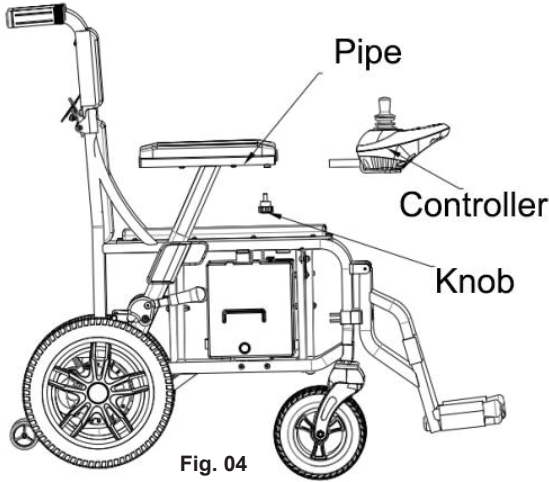


Fig. 04

4. Installation of battery

- a. Align the battery interface with the bottom of the battery box fixing seat, and press down to insert it to complete the battery installation (**Fig.05**).
- b. If need to dismount, press and hold the battery box button, lift the battery box upwards to complete the battery disassembly (**Fig.06**).

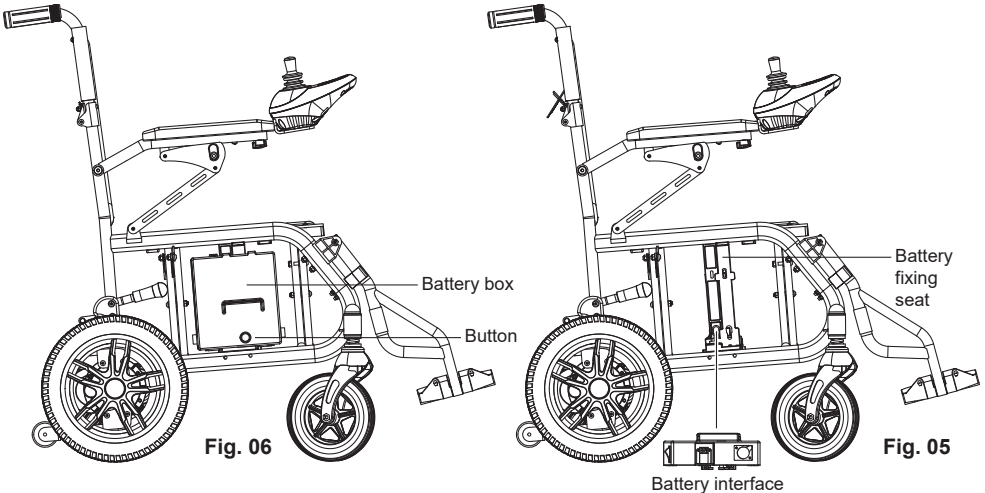


Fig. 06

Fig. 05

5. Installation of anti-tilt pipe

- a. Align anti-tilt wheel with the anti-tilt pipe of the frame, insert to the frame (**Fig.07**).
- b. Ensure that the elastic pin go into the hole of the anti-tilt pipe, try to pull out the anti-tilt pipe to ensure the anti-tilt wheel installed securely.

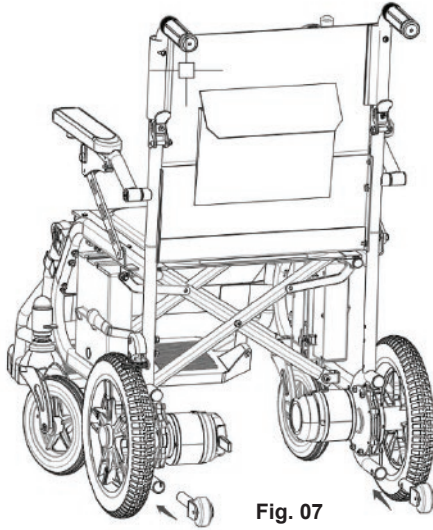


Fig. 07

Wheelchair is equipped with anti-tilt wheels to prevent wheelchair from tilting in emergency situations. These anti-tilt wheels are non-removable when in use.

⚠ WARNING

Do not drive a wheelchair after the anti-tilt wheel has been removed or damaged.

⚠ WARNING

Anti-tilt wheel is only suitable for hard pavement. In case of muddy road, the anti-tilt wheel may fall into.

6. Manually push wheelchair

- Wheelchair has two mode that drive mode and neutral mode. It can be switched by control the level at both motors.
- Push both levels upward, the wheelchair is in drive mode, you can control it by controller.
- Push both levels downward, the wheelchair is in neutral mode, you can push it manually.

⚠ WARNING

As the Wheelchair used the electromagnetic brake, **DO NOT** stop the wheelchair at inclined slope when in neutral mode. It will result in injury.

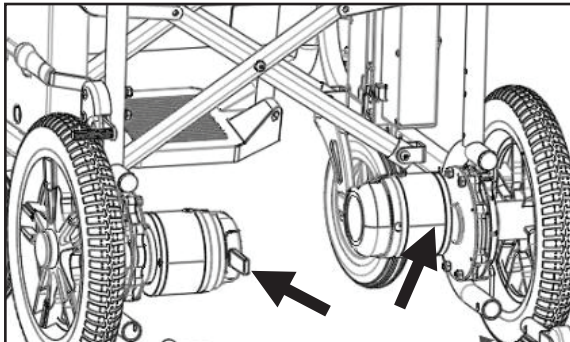


Fig. 08

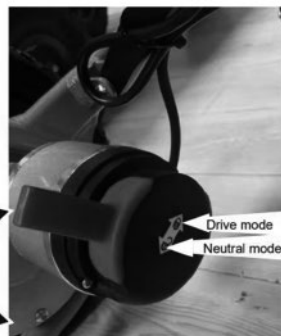


Fig. 09

7. BATTERY AND CHARGER

The charger is used to provide wheelchair charging. Connect the charger to the controller charging port for direct charging

1. Check the charger port to make sure it is not blocked.
2. Make sure the wheelchair switch is off.
3. Plug the output plug of the charger into the charging port at controller.
4. When the charger green light is on, the battery has been fully charged.
5. Unplug the charger plug from controller and wall socket.

Or, directly connect the battery for charging. You could remove the battery box from wheelchair, charging it separately.

1. Check the charger port to make sure it is not blocked.
2. Make sure the wheelchair switch is off.
3. Take-off battery box from wheelchair.
4. Plug the output plug of the charger into the slot at battery case.
5. When the charger green light is on, the battery has been fully charged.
6. Pull the output plug of the charger out of the slot above the battery case.

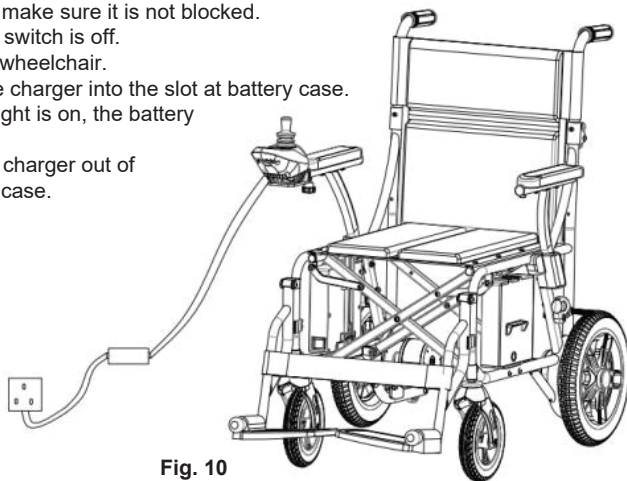


Fig. 10

Do not over charge over 24 hours.

Once the battery is fully charged, disconnected the charger from power supply.

When the wheelchair is in idle, please switch off wheelchair or unplug the wires connected to the controller to avoid losing power.

When the wheelchair is not in use, please charge it once a month to prevent the battery life from decreasing.

The charger indicator light has three states.

Green: Power on

Yellow: charging

Green (connect wheelchair): The battery is fully charged.

CAUTION

Please read the following rules to avoid danger during charging:

1. Please use our standard charger. Non-standard charger is liable to cause danger. It is strictly prohibited to change or modify the charger circuit without permission. The company will not be liable for any product or personnel accident caused by this.
2. Keep the charging place well-ventilated and not exposed to sunlight and damp conditions for charging.
3. Do not cover any tarpaulins or articles when charging.
4. Do not charge at less than 32°F (0°C) or more than 113°F (45°C), when the charger does not function well and is liable to damage the battery.
5. Charger charging will have fan sound, please feel free to use, this function for heat dissipation.
6. This charger has no waterproof function.
7. Do not charge the charger over flammable items, such as fuel, pedals, or seats.

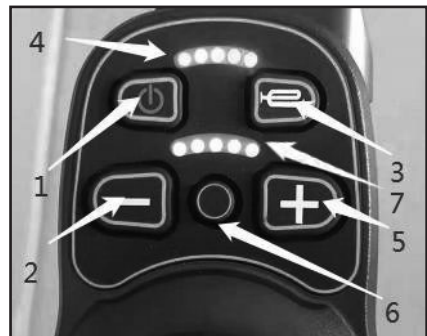
WARNING

1. Keep away from the flame when charging. The flame will set the battery on fire or explode.
2. As hydrogen gas will be generated when charging, please do not smoke when charging, please charge in a well-ventilated place.
3. Do not install or remove charging sockets when hands are wet or sockets are wet. This will cause shock.

8. OPERATION

1. Introduction of Controller

- 1 Power on/off button
- 2 Speed decrease button
- 3 Horn button
- 4 Battery indicator light
- 5 Speed increase button
- 6 Mute button
- 7 Speed level light



2. Switch On

Switch on the power at battery box.

3. Power On/Off the Controller

- a. Press on the power switch button for 3-5 seconds, the power indicator light will turn on, the battery indicator light will turn on from left to right, and the buzzer will make a "beep" sound. The controller is powered on normally.
- b. Press on the power switch button for 3-5 seconds, all LED lights on the panel will turn off, and the controller will have no output.

4. Adjustment of Driving Speed

- a. According to different user habits and environments, users can adjust the maximum speed of the electric wheelchair.
- b. Press speed increase/decrease button to adjust the speed.
- c. The selected speed will be displayed on the speed indicator light.
- d. The speed is divided into five gears:
 - first speed is 1.25MPH (2km/h,)
 - second speed is 1.87MPH (3km/h)
 - third speed is 2.5MPH (4km/h)
 - fourth speed is 3.12MPH (5km/h)
 - fifth speed is 3.75MPH (6km/h)

5. Use of Horn

Press on the horn button and the horn will continue to sound until the horn button is released.

6. Mute Function

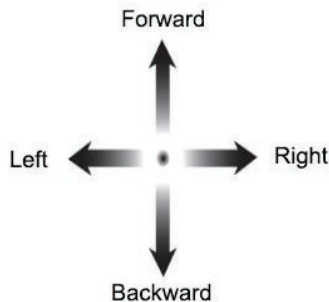
Press the mute button on the controller to silence the sound. Press it again to resume sound operation.

7. Battery Indicator

- a. The battery indicator light will be light once the power of the electric wheelchair has been turned on.
- b. It also displays the predicted value of the remaining battery capacitor.
- c. When all LED lights are on, it indicates that the battery is fully charged.
- d. When only the yellow or red LED lights up, it indicates that the battery needs to be charged.
- e. If only the red LED light is on, it indicates that the battery level is extremely low. It must be charged as soon as possible.
- f. Before long-distance driving, it is best to charge it for full.

8. Operate the Joystick

- a. The direction of movement of the joystick can guide the moving direction of the electric wheelchair.
- b. The movement amplitude of the joystick will determine the speed of the electric wheelchair in that direction.
 - Push joystick forward: driving the electric wheelchair forward
 - Push joystick backward: driving the electric wheelchair backward
 - Push joystick left: turning the electric wheelchair to left
 - Push joystick right: turning the electric wheelchair to right



9. MAINTENANCE AND STORAGE

Wheelchair maintenance

Users' wheelchair maintenance includes cleaning, checking tires, battery and charger. We recommend that the wheelchair will be inspected every six months.

Cleaning wheelchairs and tires, battery maintenance

- a. Cleaning wheelchair: Wipe the surface of the wheelchair with a spray of wax polish or a clean soft cloth.
- b. Tires: Check the wear condition of the pneumatic tire regularly and replace the tire when the tread depth is less than 1 mm.
- c. Battery: Make sure that the battery is rechargeable regularly. To save battery life, we recommend that customer should not use the battery to completely dead and then recharged.

Wheelchair Damage and Self-inspection

When the wheelchair fails during use, please check the wheelchair after switch off the power. Symptoms: Complete loss of power and the lights on the controller disappear.

Check steps as follows:

Check if controller plug connection is loosening.

Check if the plug on the left controller of the battery case is loose. Re-plug in the connector if necessary.

If the power supply cannot be restored after the above steps, please contact the customer service immediately.

Maintenance inspection

Below is a checklist of wheelchairs. Please check the wheelchairs as often as suggested below. Some of these checks are carried out every time when you are in or out of the wheelchair.

A	Check each item for proper placement: <ol style="list-style-type: none">1. Back rest2. Hand rest3. Control device4. Foot rest5. Power supply status on the controller6. Anti-tilting wheels
B	Check the following items every month to avoid improper looseness or wear of the components. <ol style="list-style-type: none">1. No screws loose2. Automatic braking working3. Front and rear wheel components and tire tread depth4. Charger and controller connector
C	For your safety, please make sure to conduct a comprehensive maintenance and inspection for the wheelchair every six months.

10. TROUBLE SHOOTING

Diagnostic Sound	Possible Cause	Solution
1	Low Voltage.	Charging battery. Battery is broken and replace the battery.
2, 3	Left motor faulty.	Check the left motor, connector and wire for any loosening.
4, 5	Right motor faulty.	Check the right motor, connector and wire for any loosening.
6	Overcurrent.	Check if the motor drive mechanism is stuck. Check if the motor wheels blocked.
7	Joystick issue.	The joystick does not reset; Or the joystick cable is broken; Or the connector is loose.
8	Controller issue.	Check if the battery is fully charged, however the controller light is not on. Check if the wiring is loose or broken.
9	Communication error.	Contact customer service.

11. WARRANTY

Twelve (12) months for workmanship of the product, except for wearing parts. Warranty period starts from the product purchase date. Warranty covers material quality and workmanship only. Warranty does not cover product for issues caused by improper usage or any operation not in accordance with the specifications of this manual. Any modification or tampering with the product in any way voids the warranty.

Warranty not applicable

Use loss or discomfort due to change over time (coating surface, plating surface, natural fading and deterioration of resin, etc.).

Use different methods of operation and overload (overload, load capacity, etc.) than those shown in the operating instructions, etc.

External factors such as soot, medicine, guano, acid rain, flying stone, metal powder, etc.

Natural disasters such as typhoons, floods, fires, earthquakes, etc.



Great Circle USA

Support Line: 1-866-493-0524

Email: help@greatcircleus.com

www.superhandyus.com