

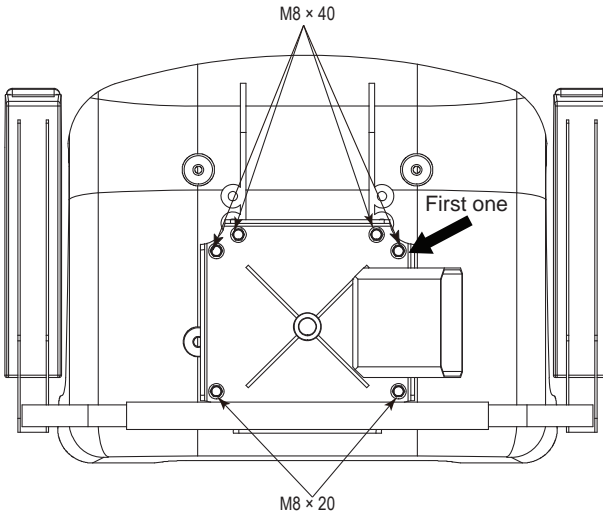


# Cushioned Seat Manual

SKU: GUT143

## Assembly

Mount the seat post to the seat by using 4 M8x40 and 2 M8x20 bolts. Place bolts as figure. For easily, assemble the bolt closed the plastic cover firstly. And then assemble others. Make sure screw bolts by 13mm wrench (wrench is not included).



Insert armrest to the fixing tube of seat post, and screw it by handle knob. Put the seat to the scooter and enjoy your trip.

