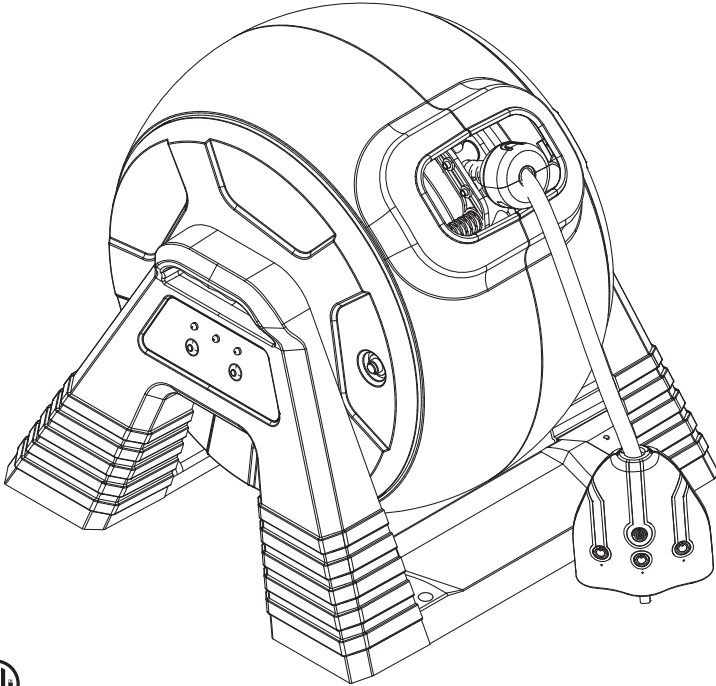


Alpha WORKS



Intertek
4005190

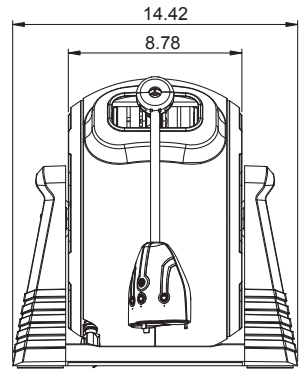
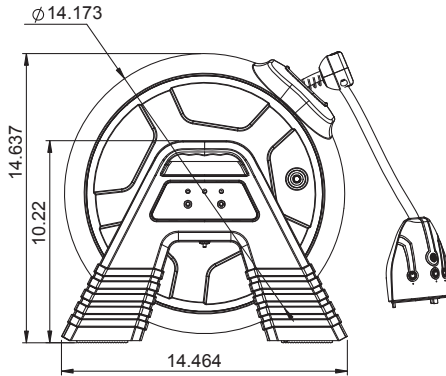
CONFORMS TO UL STD.355
CERTIFIED TO CSA STD. C22.2#308



ALPHAWORKS SMART CORD REEL OPERATOR' MANUAL

TECHNICAL DETAILS

Item No.	AWG	Length (ft)	Volt (V)	Ampere (A)
GUR052	12	65	125	15



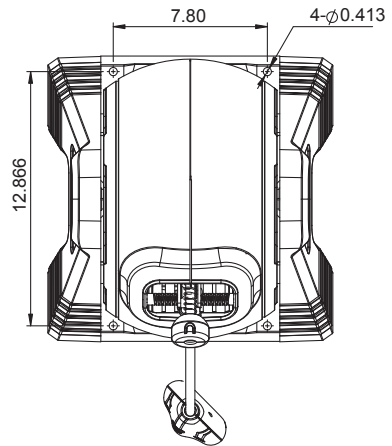
SAFETY PRECAUTIONS

WARNING

Read carefully and understand all INSTRUCTIONS before operating. Failure to follow the safety rules and other basic safety precautions may result in serious personal injury.

Save these instructions in a safe place and on hand so that they can be read when required. Keep these instructions to assist in future servicing.

The warnings, cautions, and instructions discussed in this instruction manual cannot cover all possible conditions or situations that could occur. It must be understood by the operator that common sense and caution are factors which cannot be built into this product, but must be supplied by the operator.

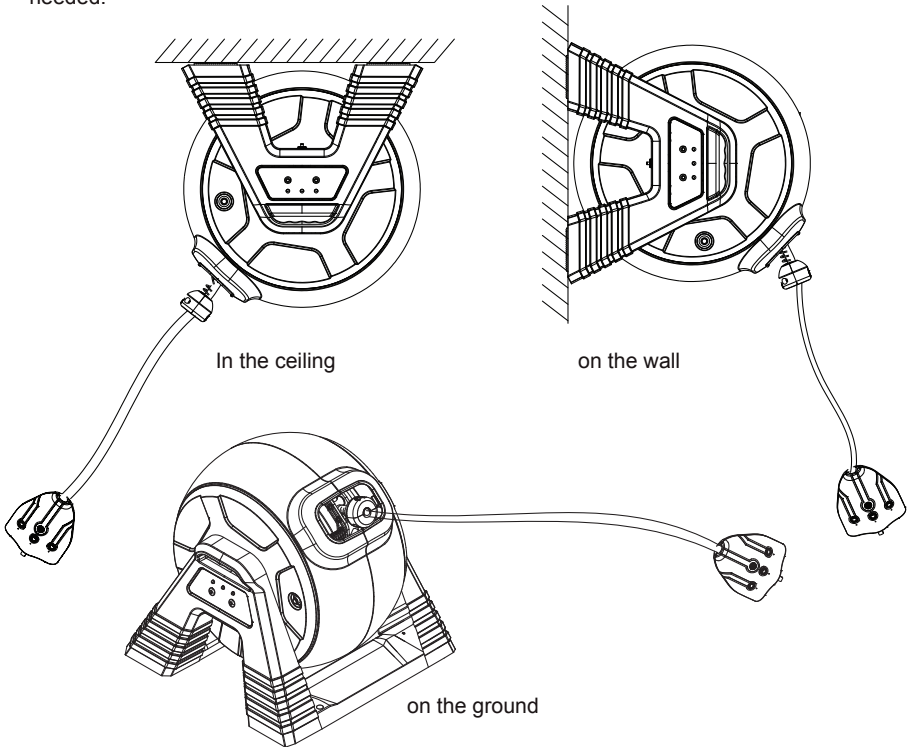


CORD REEL SAFETY PRECAUTIONS

1. Ensure that only the qualified electrician can install/service this cord reel. And it must not be used by children or unskilled persons.
2. Ensure that power supply voltage does not exceed maximum voltage rating of reel.
3. Ensure that reel is properly be installed before connecting to power supply.
4. Ensure that all electrical power is removed from reel before servicing.
5. Check for frayed and broken wires before each use.
6. When pull electrical cord from the reel always grasp the electrical cord itself, not the work device.
7. Remove power from the reel immediately when any malfunction occurs.
8. Never remove, tamper with or cut the safety devices fitted by the manufacture.
9. Do not use the reel in damp or wet conditions. Keep the work area is clean.

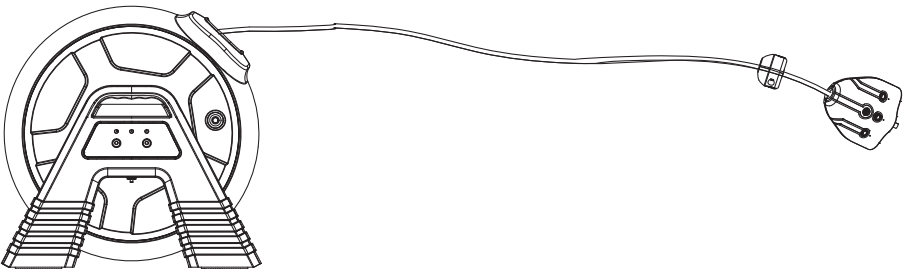
INSTALLATION

1. Unpack and inspect reel for damage. Check for completeness.
2. The cord reel must be installed in premises conforming to current regulation and standards covering systems and work environments.
3. Secure the cord reel to the wall and the ceiling according to the installation diagrams. Using screw anchors or suitable screws which must be fitted in the holes in the brackets.
4. The appliance can also be used on the ground. The cord reels can be placed in place as needed.



OPERATION

1. Check reel for correct operation by slowly pulling out the cord.
2. To latch the reel, slowly pull out the cord to any point, release the cord to stop.



Note: It can not exceed the back end mark when the cord is pulled out.

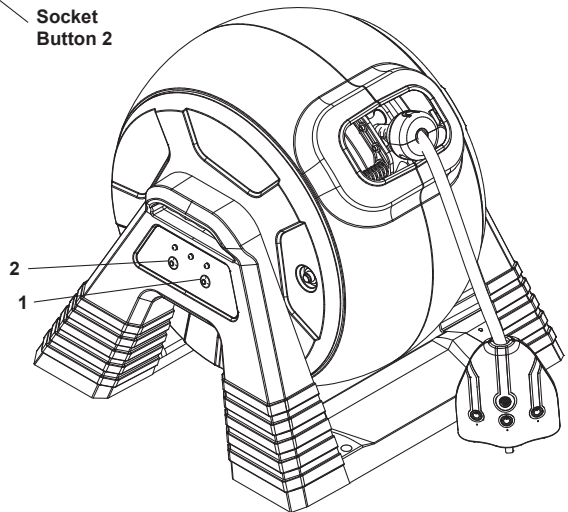
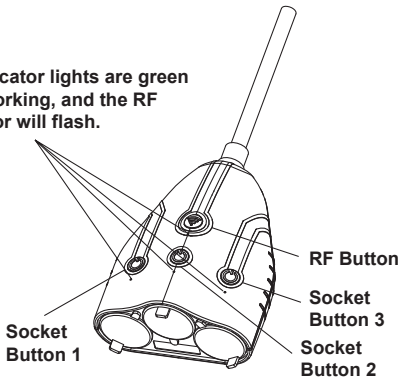
CHECKLIST BEFORE USING THE DEVICE

1. In order to power up the sockets, first click each button, and check whether the indicator lights are working.
2. Your smart phone or tablet should have connected a 2.4G WIFI with internet.
3. The device only supports 2.4G network. Please don't connect to a 5G network or hybrid network.
4. Enter correct WIFI passwords. Make sure that your WIFI SSID and passwords don't contain special characters.
5. During pairing process, make sure that your IOS or Android device and smart socket within the range of the router.
6. Please pay attention to the maximum power that this socket.

Retract the cord

1. Principal control: Press button 2 on the body and the cord can retract. (pictured below).
2. Socket control:
 - 2.1 Press both RF buttons, the cord can retract . (If the cord can't retract, need to reconnect RF. Press the main body buttons 1 and 2 simultaneously until they flash. Press any button at the socket end, the body light is always on to indicate a successful connection. (pictured below)
 - 2.2 Press any of the 3 socket buttons to control the current flow of each socket.

The indicator lights are green while working, and the RF indicator will flash.



APP CONTROL

Download Smart Life App

You can scan the QR code below to download the Smart Life App:

You can also search “Smart Life” in either App Store or Google Play to install the app.



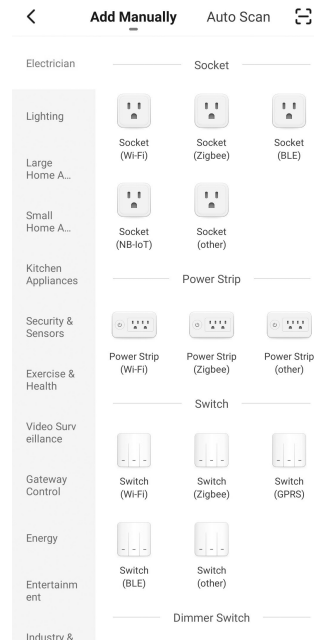
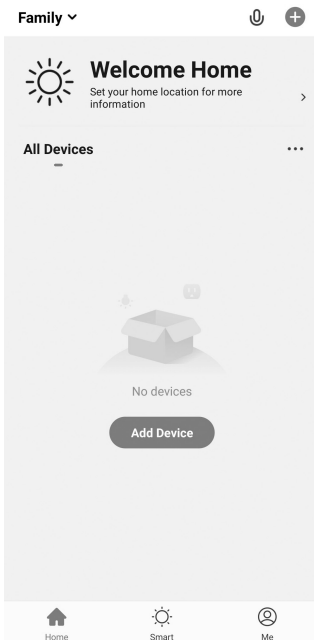
REGISTER

If you don't have an App account, please register an account first.

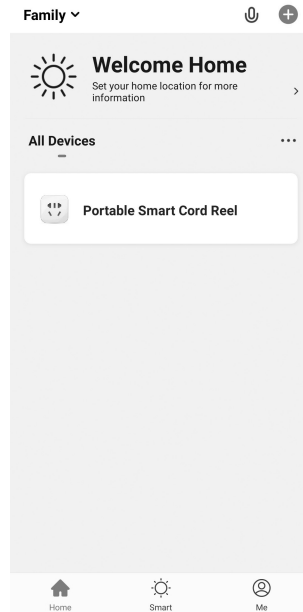
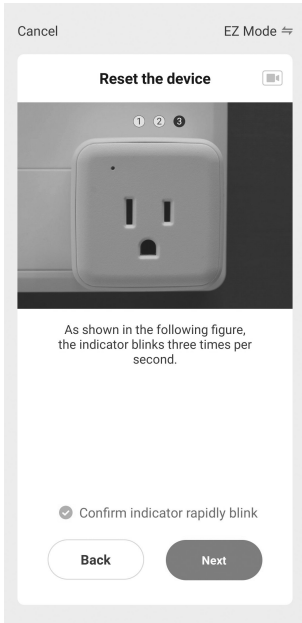
1. Tap to enter registration page, select your country code. Enter the mobile number and tap “Obtain verification code”.
2. Then enter the verification code from the message, and enter the password, tap “Confirm” to finish your registration.

ADD DEVICE

1. Enter the App, tap “Add Device” or “+”, then select Electrical. Engineering “Socket”.
2. Please press the WIFI button on the body for over 2 seconds and make sure the WIFI indicator flashes quickly.

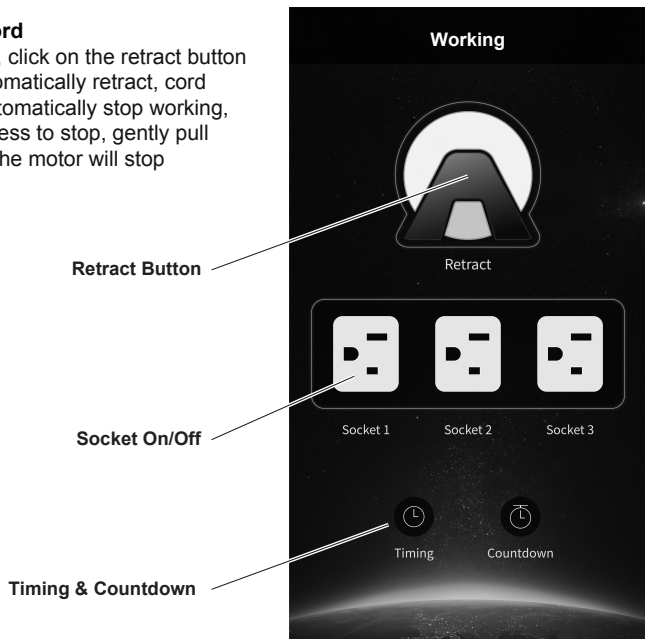


3. Tap to go on to network connecting. Select the Wi-Fi under which device is working, enter password and tap “ok” to enter network connection process.
4. After connecting, you could name the device you want, then the smart device will be shown on the home page. Rename what you want by click the icon.



5. Control retract the cord

Click on the control page, click on the retract button motor work, cord will automatically retract, cord retract after the motor automatically stop working, if the cord retraction process to stop, gently pull the wire with your hand, the motor will stop working.



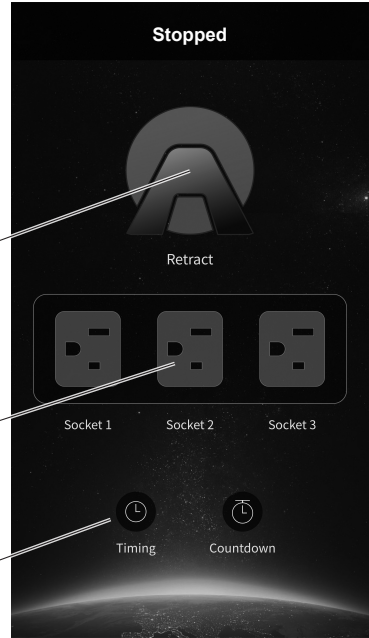
6. Control device

1. Tap to enter it's control page, click on the button for ON / OFF operations. Each socket can be independently controlled and customized through the app. And individually control each socket using separate buttons. Rename what you want by click the icon.
2. In the control page you could click on the Timing & Countdown etc., for regularly operations.

Retract Button

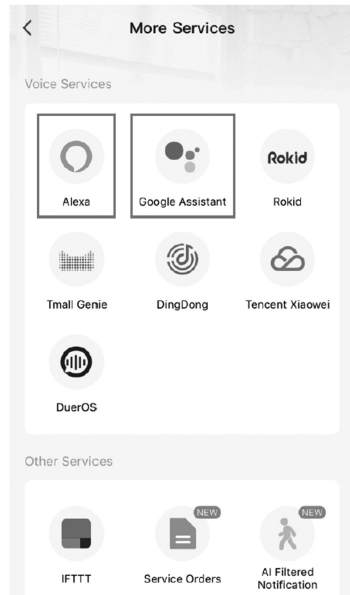
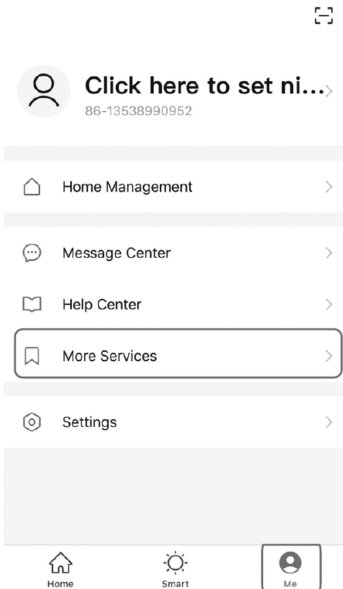
Socket On/Off

Timing & Countdown



HOW TO WORK WITH ALEXA AND GOOGLE HOME

Click and go to the "Me" page. Get the corresponding detailed operation instructions in "More Services".



How to connect Alexa? Clink the link.

You could get more related operations and the help of common problems on the APP's "Me" page. You could also contact the seller to get a better product use experience!



By linking your App account to your Amazon account, you can control Alexa-enabled devices with Amazon Alexa speakers. For example, "Alexa, turn on light."



Unable to connect?
View connection methods in the Alexa app.

MAINTENANCE

1. Make sure the Cord is in proper working order.
2. Clean the Cord with a cloth dipped in warm water to remove dirt or deposits and ensure correct rewinding.
3. Do not use detergents or solvents which could prove incompatible with cord-winder materials.
4. Dismantling of the unit by unskilled personal could prove hazardous;the risk involved mainly concern the preloaded springs.

LIMITED WARRANTY

1. The manufacturer warrants this Cord reel against defects in material and craftsmanship,- for a period of 12 months from date of purchase.
2. Manufacturer's liability is limited to replacement or repair of defective material within the warranty period,when returned freight prepaid to the distributor or their designated service depot.
3. The warranty dose not cover damage caused by accident, misuse or faulty installation.
4. The reel must be installed and maintained in compliance with the instructions.

⚠️WARNING

Your risk from these exposures varies, depending on how often you do this type of work. To reduce your exposure to these chemicals: work in a well ventilated area, and work with approved safety equipment, such as those dust masks that are specially designed to filter out microscopic particles.



Great Circle USA
Support Line: 1-866-493-0524
help@greatcircleus.com
www.greatcircleus.com