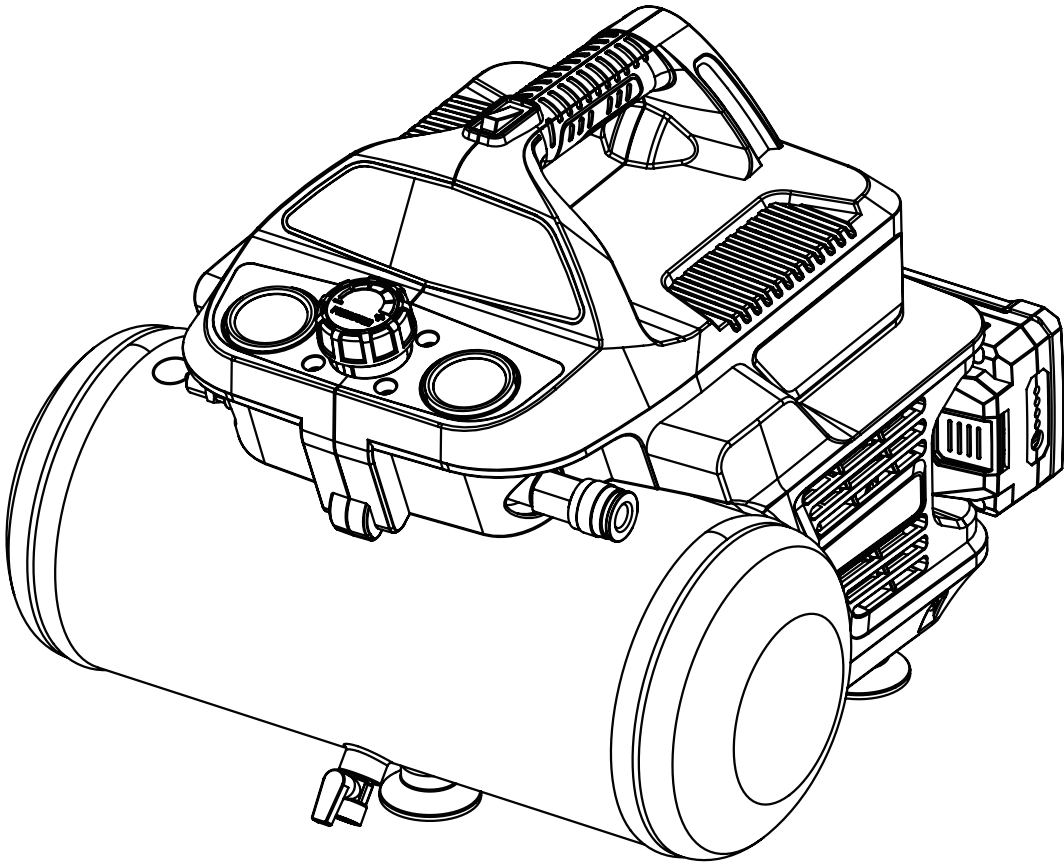




Cordless Air Compressor Operator's Manual



WARNING:

Read carefully and understand all INSTRUCTIONS before operating. Failure to follow the safety rules and other basic safety precautions may result in serious personal injury. Save these instructions in a safe place and on hand so that they can be read when required. Keep these instructions to assist in future servicing.



AIR COMPRESSOR SAFETY WARNINGS

For your own safety, always follow these basic precautions when using this appliance.

1. Read the user Manual carefully for operating instructions. Read all instructions in this manual before use.
2. DO NOT use attachments other than those available from the manufacturer.
3. DO NOT alter this product in any manner; doing so is dangerous and will void all warranties.
4. DO NOT operate under the influence of drugs or alcohol.
5. DO NOT continue to use this product in the event of mechanical or electrical failure.
6. DO NOT exceed the pressure rating of any component in the system.
7. Keep your work area clean and well lit. Cluttered benches and dark areas invite accidents. The floor must not be slippery from wax or dust.
8. Do not operate air compressors in explosive atmospheres, such as in the presence of flammable liquids, gases, or dust.
9. Don't expose air compressors to rain or wet conditions. Water entering an air compressor will increase the risk of electric shock.
10. Additional safety protection will be required in some environments. For example, the working area may include exposure to a noise level which can lead to hearing damage. The employer and user must ensure that any necessary hearing protection is provided and used by the operator and others in the work area.
11. The battery must be removed before any repairs.
12. When servicing a product, Follow instructions in the Maintenance section of this manual. Use of unauthorized parts or failure to follow Maintenance Instructions may create a risk of injury.
13. Service must be performed only by qualified repair personnel. Service or maintenance performed by unqualified personnel may result in a risk of injury.
14. Protect material lines and airlines from damage or puncture. Keep hose away from sharp objects, chemical spills, oil, solvents, and wet floors.
15. DO NOT allow children to operate this unit.
16. Store idle air compressors out of the reach of children and other untrained persons. Air compressors are dangerous in the hands of untrained users.
17. Check for misalignment or binding of moving parts, breakage of parts, and any other condition that may affect the product's operation. If damaged, have the air compressor serviced before using. Many accidents are caused by poorly maintained products.
18. Keep the exterior of the air compressor dry, clean, and free from oil and grease. Always use a clean cloth when cleaning. Never use brake fluids, gasoline, petroleum-based products, or any strong solvents to clean the unit. Following this rule will reduce the risk of deterioration of the enclosure plastic.

19. **Risk of Bursting.** Do not adjust the regulator to result in output pressure greater than the marked maximum pressure of attachment. Do not use at a pressure greater than 135 psi.
20. To reduce the risk of electric shock, do not expose to rain. Store indoors.
21. Inspect tanks yearly for rust or other imperfections that could cause them to become unsafe. Never weld or drill holes in the air tanks.
22. Use the air compressor only for its intended use. Do not alter or modify the unit from the original design or function.
23. Always be aware that misuse and improper handling of this product can cause injury to yourself and others.
24. Do not operate this air compressor if it does not contain a legible warning label.
25. Do not continue to use a tool or hose that leaks air or does not function properly.
26. Always disconnect the air supply, turn the unit off, and remove the battery packs before making adjustments, servicing a product, or when a product is not in use.
27. Do not attempt to pull or carry the air compressor by the hose.
28. Always follow all safety rules recommended by the manufacturer of your air tool, in addition to all safety rules for the air compressor. Following this rule will reduce the risk of serious personal injury.
29. Never direct a jet of compressed air toward people or animals. Take care not to blow dust and dirt towards yourself or others. Following this rule will reduce the risk of serious injury.
30. Do not use this air compressor to spray chemicals. Your lungs can be damaged by inhaling toxic fumes. A respirator may be necessary for dusty environments or when spraying paint. Do not carry while painting.
31. Never store a tool with air connected. Storing the tool with air connected can result in unexpected firing and possible serious personal injury.
32. Recharge only with the charger specified by the manufacturer. A charger that is suitable for one type of battery pack may create a risk of fire when used with another battery pack.
33. When the battery pack is not in use, keep it away from other metal objects, like paper clips, coins, keys, nails, screws, or other small metal objects, that can make a connection from one terminal to another. Shorting the battery terminals together may cause burns or a fire.
34. Under abusive conditions, liquid may be ejected from the battery; avoid contact. If contact accidentally occurs, flush with water. If liquid contacts eyes, additionally seek medical help. Liquid ejected from the battery may cause irritation or burns.
35. Do not place batteries near fire or heat. This will reduce the risk of explosion and possibly injury.
36. Do not crush, drop, or damage the battery pack. Do not use a battery pack or charger that has been dropped or received a sharp blow. A damaged battery is subject to explosion. Properly dispose of a dropped or damaged battery immediately.
37. Do not use a battery pack that is damaged or modified. Damaged or modified batteries may exhibit unpredictable behavior resulting in fire, explosion, or risk of injury.
38. **DO NOT** discard the battery into the trash can. Discard the battery according to your local, state, federal, or country's regulations.
39. Save these instructions. Refer to them frequently and use them to instruct others who may use this product. If you loan someone this product, loan them these instructions also.

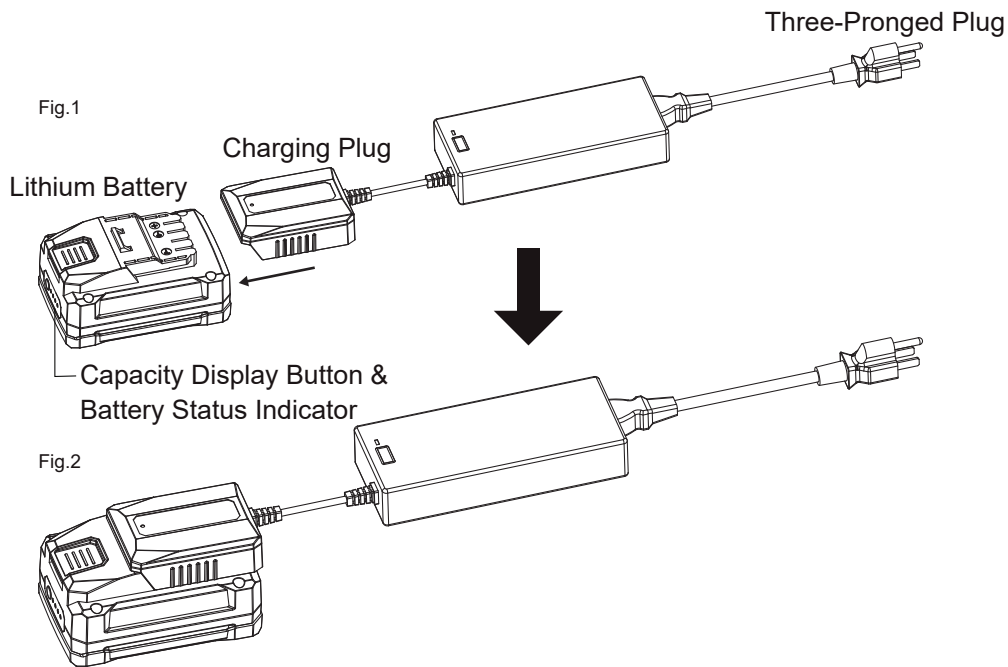
READY FOR OPERATION

To Charge the Battery for First Use

1. Connect the charger to a standard 110 - 240 volt outlet; a red light should appear on the charger.
NOTE: Always connect the charger to a standard 110 - 240 volt outlet before connecting the battery.
2. Fully insert the charging plug into the battery card slot until you hear a click or see the battery button toggle back to a flat position. (See Fig. 1 & Fig. 2)
3. Charge the battery until the light on the charger turns solid green.
4. Press the battery button, pull out the charging plug, remove the three-pronged plug from the outlet, and then disconnect the battery from the charger.
5. Press the battery capacity display button, check the battery capacity through the LED light. NOTE: Do not leave the battery on the charger after the charge is completed. Unplug the charger from the outlet, and then remove the battery.

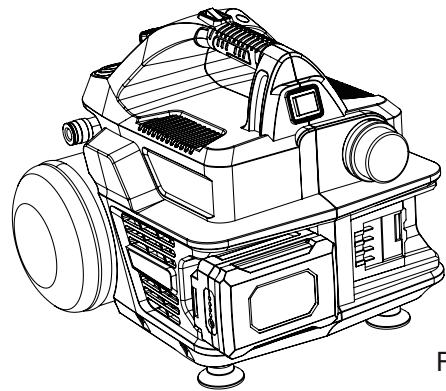
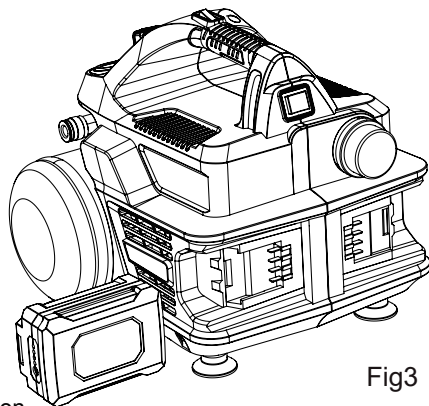
▲ IMPORTANT

BATTERY MUST BE FULLY CHARGED BEFORE FIRST USE.



Installation and Removal of the Battery

1. Completely insert the battery into the powerhead along with the card slot until the battery button bounces up. (See Fig. 3 & Fig. 4) Note: Second battery can be installed if necessary.



Battery Button

2. To remove the battery, press the battery button with the thumb, grab other sides of the battery with other four fingers, and then pull the battery out.

OPERATION

The air compressor is operated using the 48-volt lithium-ion battery supplied with the unit.

APPLICATIONS

The air compressor is utilized in a variety of air system applications. Match hoses, connectors, air tools, and accessories to the capabilities of the air compressor.

You may use this product for the purposes listed below:

Operating light- to medium-duty air-powered tools

Operating air accessories such as air nozzles and automotive tire inflators

CONNECTING/DISCONNECTING AIR HOSE (HOSE NOT PROVIDED)

⚠️WARNING

Never exceed the air tool's pressure rating as recommended by the manufacturer. When using this air compressor as an inflation device, always follow the maximum inflation guidelines stated by the manufacturer of the item being inflated.

Make sure the air compressor is turned off and the battery packs are not installed.

Rotate the pressure regulator knob fully in the counter-clockwise direction so that the outlet pressure is at zero (0) psi.

Attach a hose with quick connect air fitting to 1/4 in. quick coupler on the air compressor. Make sure to push the hose adapter end fully into the coupler until the sleeve springs forward to lock it in place.

To disconnect an air hose or an air tool:

Confirm that the outlet pressure is at zero (0) psi.

When disconnecting a hose from 1/4-in. quick coupler, always firmly hold release end of hose.

Pull back on the release sleeve on the 1/4-in. quick coupler.

With a firm grip, pull out the quick-connect air fitting that is attached to the quick coupler.

USING THE AIR COMPRESSOR

⚠️WARNING

Air powered tools may require more air consumption than this air compressor is capable of providing. Check the tool manually to avoid damage to the tool or risk of personal injury.

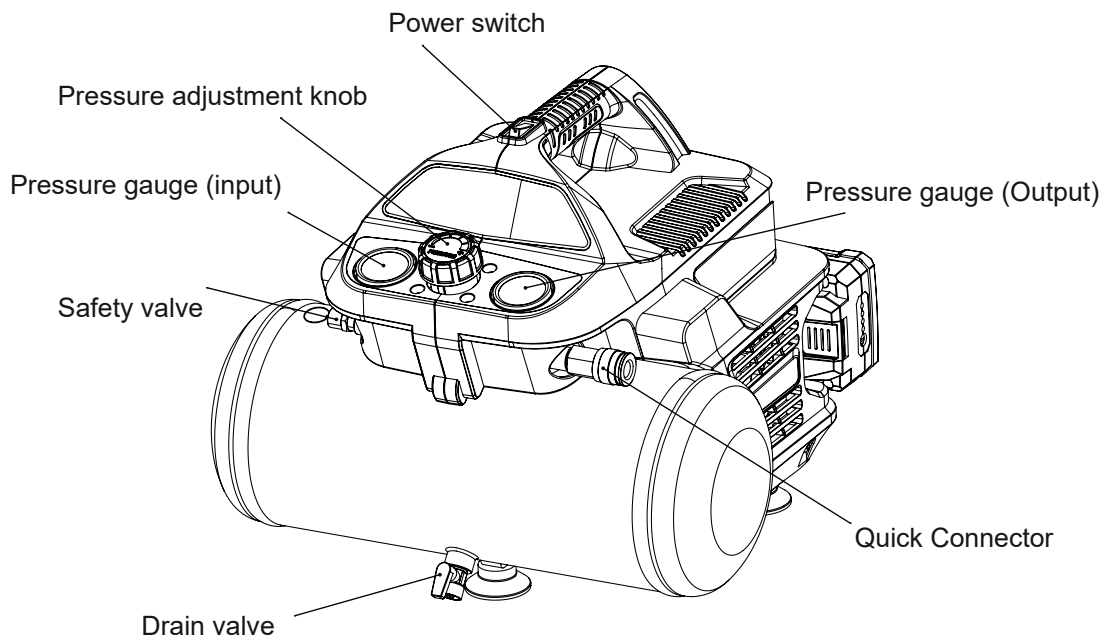


Fig5

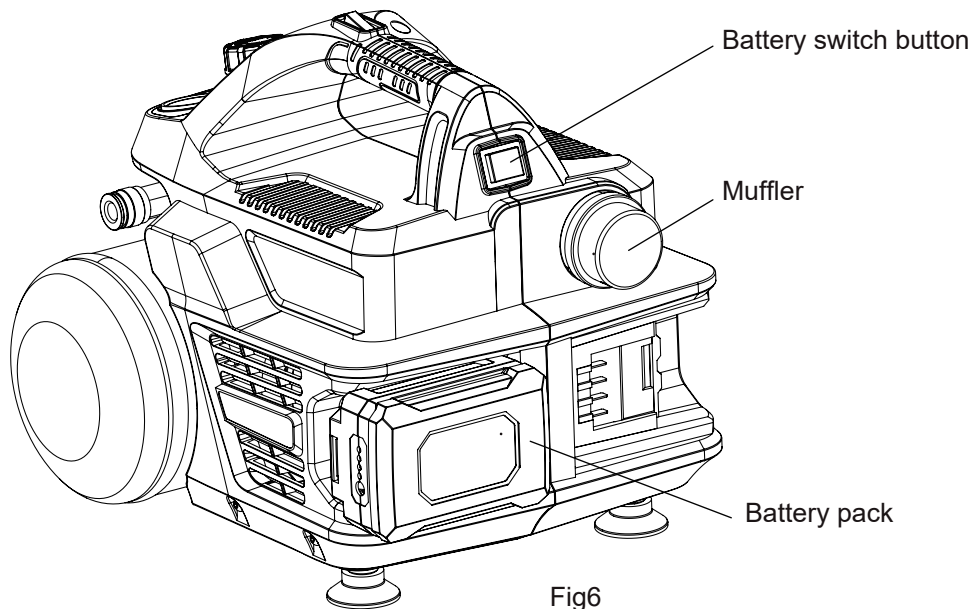


Fig6

Ensure that the switch is in the OFF position and the battery packs are not installed

Attach air hose following the instructions in **Connecting/Disconnecting Air Hose** (hose not provided).
 Attach 1/4 in. NPT quick-connect air fitting to the accessory or tool you intend to use.
 Insert the other end of the quick-connect air fitting to the quick coupler on the open end of the hose.
 Install the battery packs.

Press the battery switch button to the battery side. (Note: Middle gear will cut off the power)

Move the power switch to the **ON position**.

Set the amount of air pressure desired using the pressure regulator knob.,then turn clockwise to increase or counterclockwise to decrease the air pressure through the hose.

NOTE: Always use the minimum amount of pressure necessary for your application. Using higher pressure than needed will drain air from the tank more rapidly, cause the unit to cycle on more frequently, and reduce battery run time between charges.

Following all safety precautions in this manual and the manufacturer's instructions in the air tool manual, you may now proceed to use your air-powered tool.

When finished, always drain the tank, turn the unit off, and remove the battery packs. Never leave the unit on and/or running unattended.

DRAINING THE TANK

To help prevent tank corrosion and keep moisture out of the air used, the air tank of the compressor should be drained daily.

To drain: Turn the air compressor off and remove the battery packs.

Turn the drain valves 90° counterclockwise to the **ON**(open) position.

Tilt tank to drain moisture from the tank into a suitable container.

MAINTENANCE AND STORAGE

Place the Auto On/Off switch in the off position.

Remove battery packs.

Disconnect the air hose and air tool from the product.

Drain air tanks according to instructions.

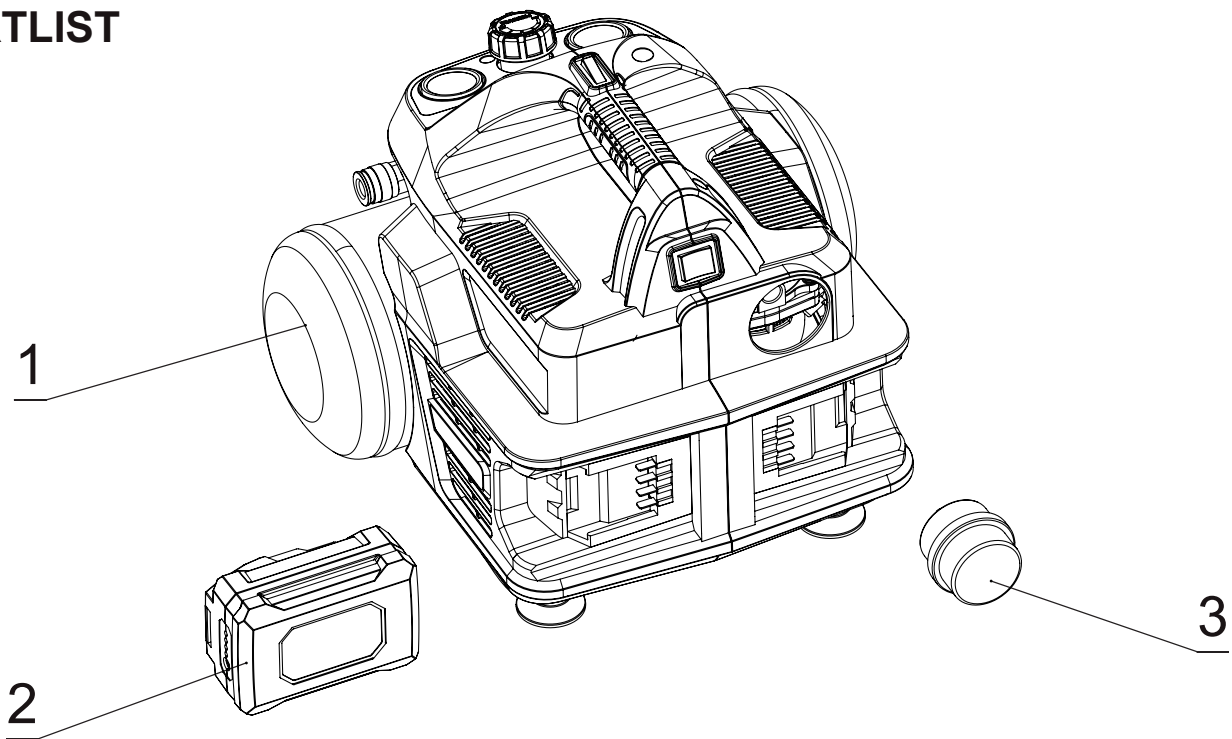
Thoroughly clean air compressor and any accessories.

Hoses may be stored using the strap on the top of the air compressor.

TROUBLE SHOOTING

PROBLEM	POSSIBLE CAUSE	SOLUTION
Air compressor not running	Batteries low Pressure switch malfunction Tank is full of air	Recharge battery packs Contact customer service. Compressor will run when tank pressure drops to cut-in pressure
Motor hums but cannot run or run slowly	Shorted or open motor winding Defective check valve or unloader	Contact customer service.
Air tank pressure drops when the compressor shuts off	Loose connections (fittings, tubing, etc.) Loose drain valve / open drain valve Check valve leaking	Check all connections with soap and water solution and tighten Tighten drain valve / close drain valve Contact customer service.
Excessive moisture in the discharge air	Excessive water in the air tank High humidity	Drain tank Move to area of less humidity; Use aviation-grade filters
Compressor runs continuously	Defective pressure switch Excessive air usage Piston rings are worn	Contact customer service. Decrease air usage; compressor not large enough for tool's requirement Replace piston rings
Air output lower than normal	Broken inlet valves Connections leaking	Contact customer service. Tighten connections

PARTLIST



Part No.	Description	QTY	
1	Air compressor	1Pc	Assembly
2	Battery pack 48V 2Ah	1Pcs	Assembly
3	Muffler	1Pc	Assembly



Great Circle USA
Support Line: 1-866-493-0524
help@greatcircleus.com
www.greatcircleus.com