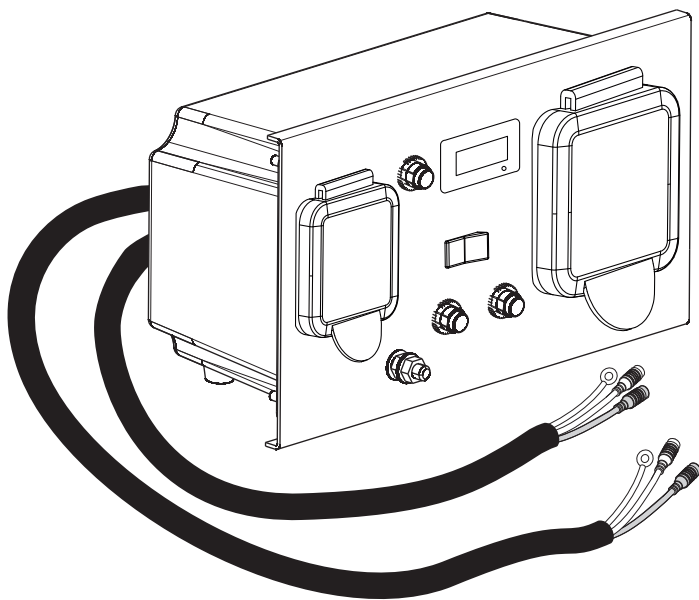


INVERTER GENERATOR PARALLEL KIT

USER'S MANUAL & OPERATION INSTRUCTION



SAVE THIS MANUAL: This manual contains important information regarding safety, operation, maintenance and storage of this product. Before use, read carefully and understand all cautions, warnings, instructions and product labels. Failure to do so could result in serious personal injury and/or property damage.

IMPORTANT SAFETY INSTRUCTIONS



WARNING! Read all instructions.

Failure to follow all instructions listed below may result in fire, serious injury and/or DEATH FROM ELECTRIC SHOCK.

The warnings and precautions discussed in this manual cannot cover all possible conditions and situations that may occur. It must be understood by the operator that common sense and caution are factors which cannot be built into this product, but must be supplied by the operator.

Set Up Precautions

1. Set up and use only on a flat, level, dry, well-ventilated surface.
2. All connections and conduits from the Generators to the load must only be installed by trained and licensed electricians, and in compliance with all relevant local, state, and federal electrical codes and standards, and other regulations where applicable.
3. Wear safety goggles during set up.
4. Inspect thoroughly before each use. Do not use if damaged.
5. Do not plug more than the specified number of watts into this cord.
6. Do not run Parallel Kit through doorways, holes in ceilings, walls or floors.
7. Use two of the same model generator. Do not use two different generator models.
8. Turn generators off before connecting the Parallel Kit.
9. Fully insert cable plugs into outlets.
10. Do not remove, bend or modify any metal prongs or pins of the Parallel Kit.
11. Do not use excessive force to make connections.
12. Keep away from water.
13. Keep Parallel Kit dry and away from wet ground and mud.
14. Do not drive, drag or place objects over Parallel Kit Cords.
15. Do not walk on Parallel Kit Cords.

Operating Precautions



WARNING!

TO PREVENT SERIOUS INJURY, DEATH, AND GENERATOR AND/OR EQUIPMENT DAMAGE FROM ELECTRIC SHOCK AND FIRE:

1. Never use generators indoors, including in garages, basements, crawl spaces and sheds. Opening doors and windows or using fans will NOT prevent carbon monoxide build up in the home.
2. When using generators, keep them outdoors and far away from open doors, windows, and vents to avoid toxic levels of carbon monoxide from building up indoors.
3. If you start to feel sick, dizzy, or weak while using generators, get to fresh air right away. The carbon monoxide from generators can quickly lead to full incapacitation and death.
4. Keep children and pets away from the Parallel Kit, especially while it is operating.
5. Do not exceed the maximum power rating of the generators. Make sure that the total electrical rating of the all of the tools or appliances plugged into the generators at the same time does not exceed that of the generator. Check that the startup surge will not be beyond the limit of the generators.

IMPORTANT SAFETY INSTRUCTIONS

6. Avoid substantially overloading which will trip the circuit breaker. Slightly overloading the generators may not trip the circuit breaker, but will lead to premature generator failure.
7. Do not attempt to connect or disconnect load connections while standing in water, or on wet or soggy ground.
8. Do not touch electrically energized parts of the generators and interconnecting cables or conductors with any part of the body, or with any non-insulated conductive object.
9. Insulate all connections and disconnected wires.
10. Guard against electric shock. Prevent body contact with grounded surfaces such as pipes, radiators, ranges, and refrigerators.
11. Only connect two identical Inverter Generators together using the Parallel Kit.
12. Connect Parallel Kit only to terminals marked "Parallel Outlets" on the front of the generator.
13. Do not remove or connect Parallel Kit while generators are running.
14. Do not attach a Parallel Kit to only one generator.
15. Do not attach a heavy load to any other outlet on a Generator that has a Parallel Kit attached.
16. Wear safety glasses during use.
17. People with pacemakers should consult their physician(s) before use. Electromagnetic fields in close proximity to a heart pacemaker could cause pacemaker interference or pacemaker failure. Caution is necessary when near the engine's magneto or recoil starter.
18. Accessories that may be suitable for one piece of equipment may become hazardous when used on another piece of equipment.
19. Stay alert, watch what you are doing and use common sense when operating this parallel kit. Do not use while tired or under the influence of drugs, alcohol or medication.
20. Dress properly. Do not wear loose clothing or jewelry. Keep hair, clothing and gloves away from moving parts. Loose clothes, jewelry or long hair can be caught in moving parts.
21. Use the equipment, accessories, etc., in accordance with these instructions and in the manner intended for the particular type of equipment, taking into account the working conditions and the work to be performed. Use of the equipment for operations different from those intended could result in a hazardous situation.
22. **WARNING:** This product contains or, when used, produces a chemical known to the State of California to cause cancer and birth defects or other reproductive harm. (California Health & Safety Code § 25249.5, et seq.)
23. Before use, check for misalignment or binding of moving parts, breakage of parts, and any other condition that may affect the equipment's operation. If damaged, have the equipment serviced before using. Many accidents are caused by poorly maintained equipment.
24. Use the correct equipment for the application. Do not modify the equipment and do not use the equipment for a purpose for which it is not intended.

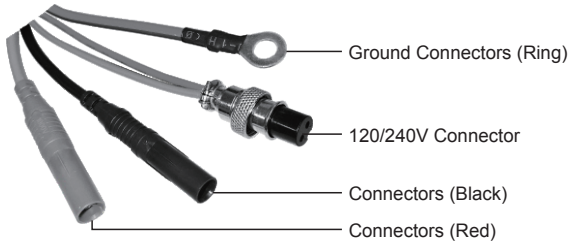
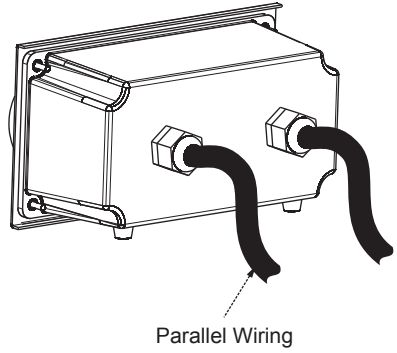
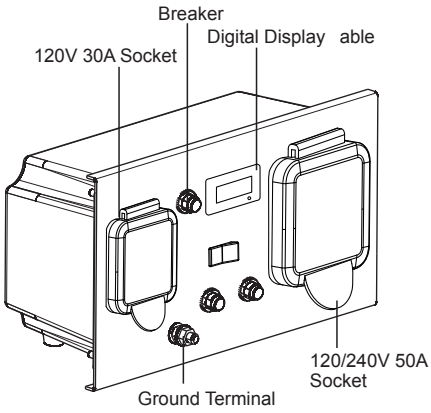
IMPORTANT SAFETY INSTRUCTIONS

Service Precautions

1. Before service, maintenance, or cleaning, unplug the Parallel Kit from both generators.
2. Keep all electrical equipment clean and dry. Replace any wiring where the insulation is cracked, cut, abraded, or otherwise degraded. Replace terminals that are worn, discolored, or corroded. Keep terminals clean and tight.
3. Do not alter or adjust any part of the equipment or its engine that is sealed by the manufacturer or distributor. Only a qualified service technician may adjust parts that may increase or decrease governed engine speed.
4. Wear safety goggles during service.
5. Maintain labels and nameplates on the equipment. These carry important information.
6. Have the equipment serviced by a qualified repair person using only identical replacement parts. This will ensure that the safety of the equipment is maintained. Do not attempt any service or maintenance procedures not explained in this manual or any procedures that you are uncertain about your ability to perform safely or correctly.
7. Store equipment out of the reach of children.

OPERATION

Components



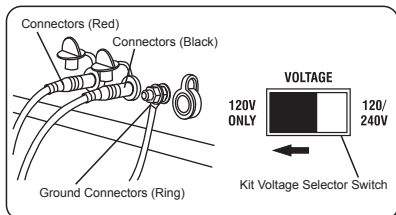
OPERATION



Read the **ENTIRE IMPORTANT SAFETY INFORMATION** section at the beginning of this manual including all text under subheadings therein before set up or use of this product.

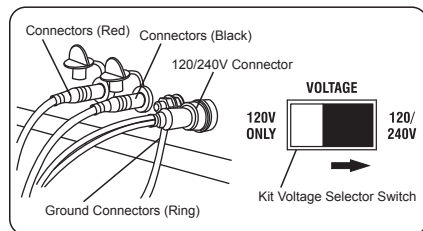
Use Parallel Connection (120V ONLY)

Plug the connector into the port of the corresponding color on the generator, connect the ground ring to the ground end of the generator, and connect the other generator in the same way. Press the voltage selector switch to 120V ONLY.

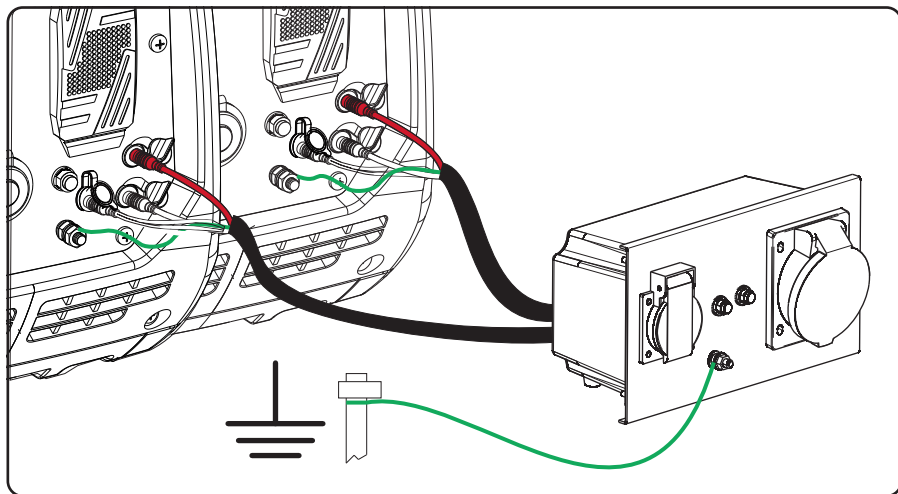


Use Parallel Connection (120/240V)

Plug the connector into the generator port of the corresponding color, connect the ground ring to the generator ground terminal, connect the 120/240V connector to the generator 120/240V connection port, and tighten the 120/240V connector nut. Connect the other generator in the same way. Press the voltage selector switch to 120/240V.



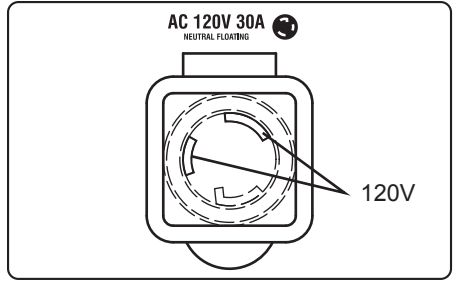
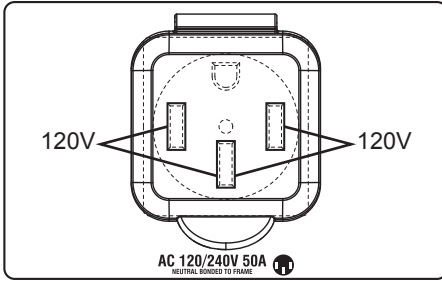
Note: The grounding end of the kit should be connected to the ground screw and grounded.



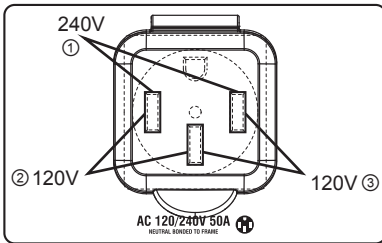
OPERATION

OUTPUT DESCRIPTION OF THE AC SOCKET

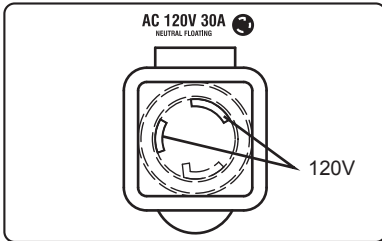
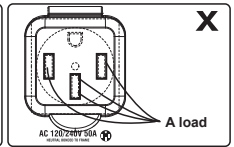
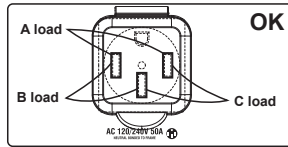
When the voltage selector switch is set to 120V ONLY



When the voltage selector switch is set to 120/240V



ATTENTION: ①②③ can output at the same time, but the total power output of the socket can not exceed the rated power of the generator, can not be connected to the same load.



TROUBLESHOOTING



WARNING!

TO PREVENT SERIOUS INJURY FROM EQUIPMENT FAILURE:

Do not use damaged equipment. If abnormal noise, vibration, or excess smoking occurs, have the problem corrected before further use. Procedures not specifically explained in this manual must be performed only by a qualified technician.

1. BEFORE EACH USE, inspect the general condition of the charger. Check for:
2. After Use, wipe external surfaces of the tool with clean cloth.

- loose hardware,
- cracked or broken parts,
- damaged electrical wiring or cable insulation, and
- any other condition that may affect its safe operation.

Problem	Possible Causes	Probable Solutions
Parallel Kit doesn't have power.	<ol style="list-style-type: none">1. Device not plugged in properly.2. Circuit Breaker tripped.3. Parallel Kit needs service.	<ol style="list-style-type: none">1. Turn off generator and check outlet connections for correct positioning. Restart generator.2. Turn off and unplug Parallel Kit, reset Circuit Breaker, plug in Parallel Kit and turn on.3. Have Parallel Kit repaired.
Overload indicator flashes.	Rated load capacity exceeded.	Lower the number of items plugged into the generator to stay within the rated capacity.



Follow all safety precautions whenever diagnosing or servicing the Parallel Kit.

