

# T08071

GAS: 10000 / 8000 WATT - LPG: 9050 / 7250 WATT - NG: 6900 / 5500 WATT  
50A 120/240V ELECTRIC START TRI FUEL PORTABLE GENERATOR  
EPA AND CARB CERTIFIED

**FIRMAN**<sup>®</sup>  
POWER EQUIPMENT

8716 WEST LUDLOW DR. SUITE #6  
PEORIA, AZ 85381  
1-844-347-6261

WWW.FIRMANPOWEREQUIPMENT.COM

UPC // 840876175712

**GAS STARTING / RUNNING WATTS** // 10000 / 8000

**LPG STARTING / RUNNING WATTS** // 9050 / 7250

**LPG STARTING / RUNNING WATTS** // 6900 / 5500

**VOLTAGE** // 120 / 240V

**FREQUENCY** // 60Hz

**ENGINE TYPE** // OHV

**STARTING SYSTEM** // ELECTRIC / RECOIL

**FUEL TANK SIZE** // 8.0 GAL

**RUN-TIME (GAS)** // UP TO 12 HRS (@50% LOAD)

**DECIBLES** // 72 dB (@7m @75% LOAD)

**CARTON L×W×H** // 32.1" × 22.2" × 24.4"

**GROSS WEIGHT** // 230 LBS.

**UNIT WEIGHT** // 212 LBS.

**UNITS PER PALLET** // 4

**UNITS PER CONTAINER** // 188 / 40HQ

**BONUS** // HOSE HOLDER

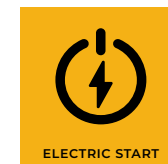
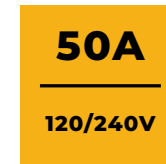
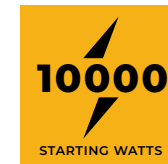
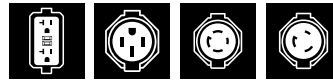
## CONTROL PANEL

(2) 5-20R 20A-120V GFCI

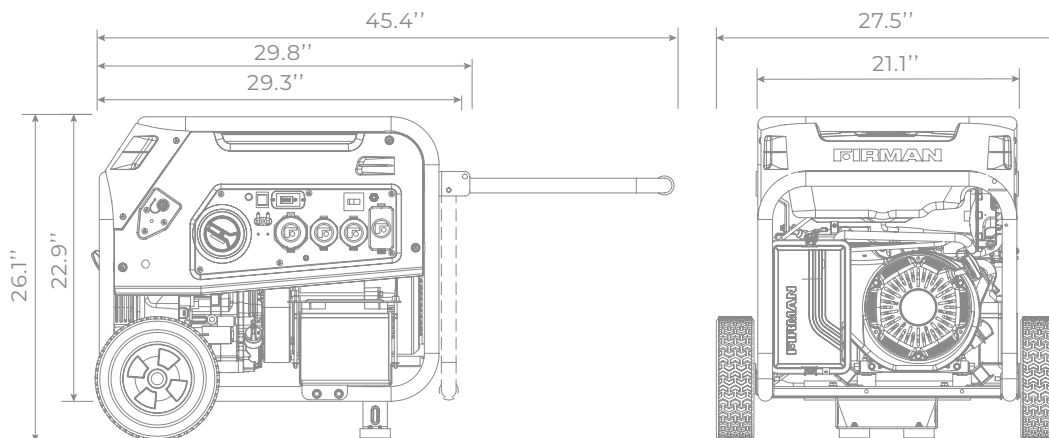
(1) 14-50R 50A-120/240V

(1) L14-30R 30A-120V/240V TWIST LOCK

(1) L5-30R 30A 120V TWIST LOCK



BEST USED FOR



FIRMAN

TRI FUEL  
GENERATOR

FIRMAN®

T08071



<b>10000</b> HORAS DE SERVIDOR CONTINUO OPERACION CON BATERIA CARGADA	<b>9050</b> HORAS DE SERVIDOR CONTINUO OPERACION CON BATERIA CARGADA	<b>6900</b> HORAS DE SERVIDOR CONTINUO OPERACION CON BATERIA CARGADA
<b>8000</b> HORAS DE SERVIDOR CONTINUO OPERACION CON BATERIA CARGADA	<b>7250</b> HORAS DE SERVIDOR CONTINUO OPERACION CON BATERIA CARGADA	<b>5500</b> HORAS DE SERVIDOR CONTINUO OPERACION CON BATERIA CARGADA

NEUTRAL SWITCH TO PREVENT  
STARTING WITH THE GENERATOR  
ON THE OFF POSITION



2000WATT 20A 120VAC 50/60Hz  
3000WATT 30A 120VAC 50/60Hz  
4000WATT 40A 120VAC 50/60Hz

FIRMAN®

12V 15Ah/20HR

- CAUTION:**
- Maintenance free, no water or electrolyte supply.
  - Do not overcharge.
  - Keep the away and do not expose to hot environment.
  - Charge the battery 4 hours by charger with 4A current, or manual start the generator to use for several hours if the generator running time is less than 10 hours each at three months.

