



EM

EM-2.5 / EM-4.0 / EM-7.0  
**ECCOTEMP**  
ELECTRIC MINI TANK WATER HEATERS



ECCOTEMP EM-2.5 / EM-4.0 / EM-7.0 Electric Mini Tank  
**WATER HEATERS**  
**USE & CARE MANUAL**

WITH INSTALLATION INSTRUCTIONS FOR THE INSTALLER

PHONE: 866-356-1992 | EMAIL: [SUPPORT@ECCOTEMP.COM](mailto:SUPPORT@ECCOTEMP.COM) | ADDRESS: 315 - A INDUSTRIAL RD SUMMERVILLE, SC 29483

 PRODUCT SUPPORT: [ECCOTEMP.COM/HELP-DESK](http://ECCOTEMP.COM/HELP-DESK)  SHOP ONLINE: [ECCOTEMP.COM/PRODUCT](http://ECCOTEMP.COM/PRODUCT)  STORE LOCATOR: [ECCOTEMP.COM/LOCATOR](http://ECCOTEMP.COM/LOCATOR)

[ECCOTEMP.COM](http://ECCOTEMP.COM)   



# Table of Contents

Important Safety Instructions	4
Technical Data	5-6
General Information	7
Technical Description	8
Installation Instructions	8
Plumbing Connections	9
Temperature & Pressure Relief Valve	9-10
Filling The Water Heater	11
Electrical Connections	11
Instructions For Use	12
Maintenance Instructions	13-15
Troubleshooting	16
Schematic & Parts List	17
Warranty	18



**Caution**

When a supplemental heat source is connected to the Certified Household Electric Storage Tank Water Heater, provision must be made to limit the heat source temperature not to exceed that of the water heater thermostat setting.

**Caution**

If the water heater has been retrofitted with supplemental heating equipment, you must adjust both the thermostat controlling the supplemental heat source (located in the water piping) and the thermostat on the water heater (behind the access panel) to the same temperature. Failure to adjust both thermostats to the same temperature can cause loss of proper temperature control.

**Danger**

To reduce the risk of electric shock disconnect from power supply before replacing temperature-limiting device.

**Caution**

To reduce the risk of electric shock or fire use only on a utility supply having a maximum 125/250 volt, three wire system.

**Caution**

Risk of electric shock connect branch circuit equipment grounding means to water heater. For detailed information, refer to instructions.



Water temperature over 125° F can cause severe burns instantly or death from scalds. Children, disabled and elderly are at highest risk of being scalded. See instruction manual before setting temperature at water heater. Feel water before bathing or showering. Temperature limiting valves are available, see manual.

**ECCOTEMP**

**ECCOTEMP MINI TANK WATER HEATER**

315-A Industrial Road Summerville, SC 29483 Telephone: 1-866-356-1992 Email: support@eccotemp.com

CONFORMS TO NSF 372

MODEL:	EM-4.0
RATED POWER:	1440W
RATED VOLTAGE:	120V~ 60Hz
TANK CAPACITY:	15L/4gal
MAX. RATED PRESSURE:	150 psi
CONFORMS TO UL STD.	174
CERTIFIED TO CSA STD.	C22.2 No. 110
SERIAL NUMBER:	

CAUTION: Risk of Electric Shock and Fire Hazard. Do not connect to supply by extension cord.  
ATTENTION: Risque d'électrocution et d'incendie. Ne pas brancher à l'alimentation avec une rallonge.

**CAUTION**

INSTALL TEMPERATURE AND PRESSURE PROTECTIVE EQUIPMENT REQUIRED BY LOCAL CODES, BUT NO LESS THAN A COMBINATION TEMPERATURE AND PRESSURE RELIEF VALVE, CERTIFIED AS MEETING THE REQUIREMENTS FOR RELIEF VALVES AND AUTOMATIC GAS SHUTOFF DEVICES FOR HOT WATER SUPPLY SYSTEMS, ANSI Z21.21, BY A NATIONALLY RECOGNIZED TESTING LABORATORY THAT MAINTAINS PERIODIC INSPECTION OF PRODUCTION OF LISTED EQUIPMENT OR MATERIALS. THE VALVE MUST BE ORIENTED PROVIDED WITH TUBING, OR OTHERWISE INSTALLED SO THAT DISCHARGE CAN EXTEND ONLY WITHIN 6 INCHES ABOVE, OR AT ANY DISTANCE BELOW THE STRUCTURAL FLOOR, AND CANNOT CONTACT ANY LIVE ELECTRICAL PART.

**ATTENTION**

WARNING: HOT WATER CAN PRODUCE 3RD DEGREE BURNS IN 6 SECONDS AT 60°C (140°F).  
IN 30 SECONDS AT 54°C (130°F).  
THERMOSTAT CONTROLS WERE FACTORY SET AT 60°C (140°F).  
CONTACT QUALIFIED SERVICE PERSONNEL FOR ADJUSTMENTS.

**ECCOTEMP**

**ECCOTEMP MINI TANK WATER HEATER**

315-A Industrial Road Summerville, SC 29483 Telephone: 1-866-356-1992 Email: support@eccotemp.com

CONFORMS TO NSF 372

MODEL:	EM-2.5
RATED POWER:	1440W
RATED VOLTAGE:	120V~ 60Hz
TANK CAPACITY:	10L/2.5gal
MAX. RATED PRESSURE:	150 psi
CONFORMS TO UL STD.	174
CERTIFIED TO CSA STD.	C22.2 No. 110
SERIAL NUMBER:	

CAUTION: Risk of Electric Shock and Fire Hazard. Do not connect to supply by extension cord.  
ATTENTION: Risque d'électrocution et d'incendie. Ne pas brancher à l'alimentation avec une rallonge.

**ECCOTEMP**

**ECCOTEMP MINI TANK WATER HEATER**

315-A Industrial Road Summerville, SC 29483 Telephone: 1-866-356-1992 Email: support@eccotemp.com

CONFORMS TO NSF 372

MODEL:	EM-7.0
RATED POWER:	1440W
RATED VOLTAGE:	120V~ 60Hz
TANK CAPACITY:	26L/7gal
MAX. RATED PRESSURE:	150 psi
CONFORMS TO UL STD.	174
CERTIFIED TO CSA STD.	C22.2 No. 110
SERIAL NUMBER:	

CAUTION: Risk of Electric Shock and Fire Hazard. Do not connect to supply by extension cord.  
ATTENTION: Risque d'électrocution et d'incendie. Ne pas brancher à l'alimentation avec une rallonge.



## IMPORTANT SAFETY INSTRUCTIONS



**WARNING:** When using electrical appliances, safety precautions to reduce the risk of fire, electric shock or injury to persons should be followed, including:

1. READ ALL.. INSTRUCTIONS BEFORE USING THIS WATER HEATER.
2. This water heater must be grounded. Connect only to properly grounded outlet. See GROUNDING INSTRUCTIONS found on page 10.
3. Install or locate this water heater only in accordance with the provided installation instructions.
4. Use this water heater only for its intended use as described in this manual.
5. Do not use an extension cord with this water heater. If power is not available adjacent to the water heater, contact a qualified electrician to have a receptacle properly installed.
6. As with any appliance, close supervision is necessary when used by children.
7. Do not operate this water heater if it has a damaged cord or plug, if it is not working properly, or if it has been damaged or dropped.
8. Only qualified service personnel should service this water heater. Contact nearest authorized service facility when questions arise or service is required.

## KEEP THESE INSTRUCTIONS

The manufacturer and/or distributor is not responsible for damages caused by improper installation, or failure to follow the instructions in this manual.

A QUALIFIED, LICENSED TECHNICIAN MUST ALWAYS INSTALL THE WATER HEATER AND CONDUCT ALL SUBSEQUENT SERVICE WORK AND/OR MAINTENANCE.

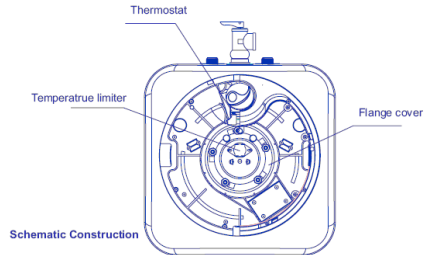
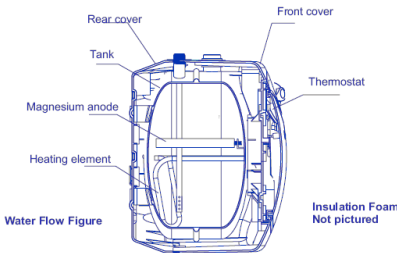
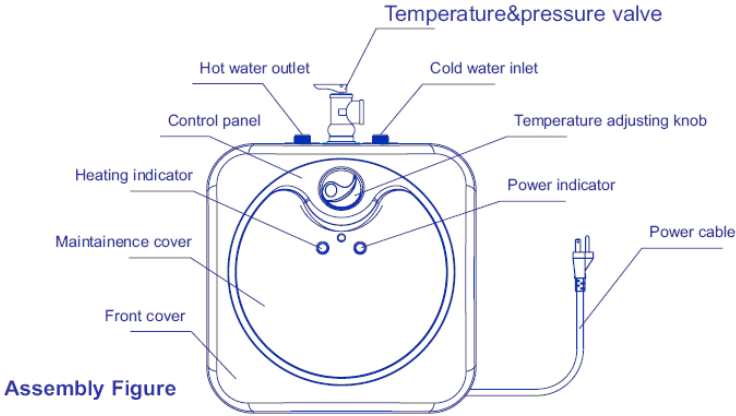
## IMPORTANT!!!!

FILL THE TANK COMPLETELY FULL WITH WATER AND HAVE WATER FLOWING FROM THE HOT WATER FAUCET BEFORE ACTIVATING POWER TO THE HEATER FOR THE FIRST TIME OR DAMAGE WILL RESULT.



# Technical Data

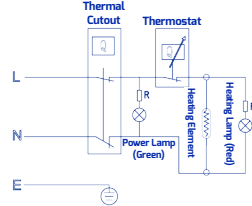
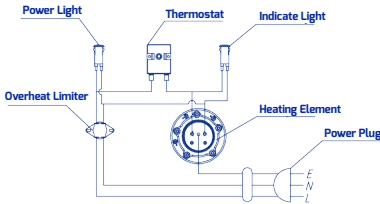
MODEL		EM-2.5	EM-4.0	EM-7.0
Capacity	Gallons	2.5	4.0	7.0
Voltage	VAC	110-120	110-120	110-120
Power @ 120 VAC	Watts	1440	1440	1440
Max. Water Pressure	psi	150	150	150
Weight (empty)	lbs.	20	25	27
Amperage	Amps	12	12	12
Phases		1	1	1





Model   Barang	A(in)	B(in)	C(in)
EM-2.5	13. 6"	13. 6"	11"
EM-4.0	15. 2"	15. 2"	12. 2"
EM-7.0	17. 2"	17. 2"	14. 2"

### EM-2.5, EM-4.0, EM-7.0



## GENERAL INFORMATION

The Eccotemp Mini-Tank Water Heaters can be used in most under the counter, point of use applications. EM models are designed to supply hot water for all hand wash and kitchen sinks in a residential environment.

EM models can replace traditional central hot water heaters thereby conserving water and reducing energy waste.

The Eccotemp Mini-Tank Water Heaters are lightweight and compact and manufactured for easy installation. EM models can be mounted on the wall with included hardware, or freestanding.

EM models are designed to operate at 150-psi maximum water pressure. Install a pressure-reducing valve if your water pressure is greater than 150-psi.

**CAUTION:** The manufacturer cannot be responsible for the damage caused by improper installation or by failure to follow instructions in this manual. Comply with the Installation Instructions before connecting to electrical outlet.

**CAUTION:** The thermostat has been pre-set at the factory to 51.7°C (125°F) or lower to reduce the risk of the scald injury.

**CAUTION:** Hydrogen gas can be produced in a hot water system served by this heater that has not been used for a long period of time (generally 2 weeks or more). Hydrogen gas is extremely flammable. To reduce the risk of injury under these conditions, it is recommended that the hot water faucet be opened for several minutes at the nearest and most distant sink being served by this water heater before using any electrical appliance connected to the hot water system (i.e. Dishwasher). If hydrogen gas is present, there will probably be an unusual sound such as air escaping through the faucet as the water begins to flow. There should be no smoking or open flame near the faucet at this time.



**WARNING: Installer should review the contents of this manual with the owner upon completion of the installation, and the manual should remain with the owner and placed in a location close to the water heater.**



## TECHNICAL DESCRIPTION

There are three Eccotemp Mini tank models, a 2.5-gallon, a 4-gallon and a 7-gallon model. The pressure vessel (water tank) is welded, glass lined steel and is equipped with an anode rod. The water heater is equipped with a thermostat and a high limit temperature switch. A temperature/pressure relief valve is supplied with the unit.

## INSTALLATION INSTRUCTIONS

### MODELS: EM-2.5, EM-4.0, EM-7.0

A licensed professional must complete the installation adhering to all state and local codes. The manufacturer will not be liable for any damages because of failure to comply with these installation instructions or because of improper installation performed by an unqualified installer.

**CHOOSE A LOCATION** that allows ease of access for maintenance ideally with at least 9 clearance at the top from the ceiling, cabinet, or any adjacent walls.

### WALL MOUNTING

Fasten the supplied mounting bracket to the wall. Use screws that are suitable for the wall material and the weight of the water heater filled to capacity (EM-2.5-41 lbs.; EM-4.0-57 lbs.; EM-7.0-76 lbs.). Hang the water heater on the bracket and pull downwards on the water heater to ensure that both fingers of the bracket are seated in the mounting slots.

Confirm your water piping orientation (hot and cold) before wall mounting.

**ONLY INSTALL IN VERTICAL POSITION.**

Heater can also sit on the floor. **ONLY INSTALL IN VERTICAL POSITION!**  
**EM models can be installed under the sink.**





## PLUMBING CONNECTIONS

Connect the cold-water inlet pipe to the inlet nipple (marked with a blue ring) and the hot water outlet pipe to the outlet nipple (marked with a red ring).

**IMPORTANT:** If Water pipes are copper or bronze, use dielectric connections to prevent corrosion. Failure to provide dielectric insulation may result in premature tank or nipple failure and may void your warranty. Ensure that the water heater is installed in a level position. Install a shut off valve on the cold water side of the water heater. The valve is for servicing and the valve should be in the open position when the water heater is in operation. In order to protect the water heater from heat damage due to soldering, solder a piece of tubing to a threaded UNION fitting before screwing the UNION to the tank.

**DO NOT APPLY HEAT DIRECTLY TO INLET OR OUTLET CONNECTIONS.**

## TEMPERATURE AND PRESSURE RELIEF VALVE:

**CAUTION:** Install the Temperature/Pressure Relief Valve supplied with the water heater!

**CAUTION:** To reduce the risk of excessive pressures and temperatures in this water heater, install temperature and pressure protective equipment required by local codes and no less than a combination temperature and pressure relief valve certified by a nationally recognized testing laboratory that maintains periodic inspection of production of listed equipment or materials, as meeting the requirements for Relief Valves and Automatic Gas Shutoff Devices for Hot Water Supply Systems, ANSI Z21.22. This valve must be marked with a maximum set pressure not to exceed the marked maximum working pressure of the water heater. Install the valve into an opening provided and marked for this purpose in the water heater, and orient it or provide tubing so that any discharge from the valve exits only within 6 inches above, or at any distance below, the structural floor, and does not contact any live electrical part. The discharge opening must not be blocked or reduced in size under any circumstances.

**Install a discharge pipe from the temperature/pressure relief valve terminating at a sink or drain. DO NOT CAP OR PLUG THE END OF THE DISCHARGE PIPE. THE DISCHARGE PIPE MUST BE UNOBSTRUCTED AND FULLY SIZED.**

A nationally recognized test lab that maintains periodic inspections of the listed equipment and meets the requirements for relief valves certifies the T/P valve and automatic shut off devices for hot water supply systems ANSI Z21.22.



The T/P valve is marked with a maximum pressure, which does not exceed the maximum working pressure of the water heater (150 PSI).

**Install the T /P valve into the threaded opening at the top of the water heater and orient the discharge tubing so that any discharge from the valve will exit within 6 inches above, or at any distance below the structural floor, and cannot contact any live electrical part.**

## T /P Valve Discharge pipe:

1. Must NOT be smaller in diameter than the outlet diameter of the valve, or have any reducing couplings.
2. Must NOT be plugged or blocked.
3. Must be made of suitable material for hot water.
4. Must not be over 15 in length.
5. Must not have more than two elbows.
6. Must terminate at an adequate drain.
7. Must not have a shut off valve between relief valve and tank or relief valve and termination of discharge.

CLOSED SYSTEM THERMAL EXPANSION: Periodic discharge of the T /P relief valve or failure of the element gasket may be due to thermal expansion in a closed water supply system. The water utility supply meter may contain a check valve, backflow preventer or water pressure-reducing valve that will create a closed water system. During the heating cycle of the water heater, the heated water expands causing pressure inside the water heater to increase. The T /P relief valve may discharge hot water under these conditions that results in a loss of energy and a build up of lime on the relief valve seat.

To prevent this from happening, there are two recommendations:

1. Install a diaphragm-type domestic hot water expansion tank (suitable for potable water) on the cold water supply line. The expansion tank must have a minimum capacity of 1.5 U.S. gallons for every 50 gallons of stored water.
2. Install a 125-PSI pressure relief valve in the cold water supply line. Make sure the discharge of this valve is directed to an open drain and protected from freezing.

Contact your local water utility or plumbing inspector for information on how to control this situation. Never plug the outlet of the relief valve.



## FILLING THE WATER HEATER

**CAUTION!: Before powering the water heater, be sure that the system is completely filled with water and All AIR IS REMOVED.**

Before connecting the power, fill the tank and system with water and check for leaks. To be sure that all air is out of the water system, open the hot water faucets on your fixtures until constant water flows. Any air remaining in the tank will cause the water heater element to fail.

### **Filling the water heater:**

1. Open the hot water faucet.
2. Open the cold water supply valve.
3. When continuous water flows out of the faucet, the tank is filled.
4. Close the hot water faucet.
5. Check entire system for leaks.

## ELECTRICAL CONNECTIONS

To be certain that all of the air is out of the water heater, open the HOT water faucet on our fixtures until constant water flows from them. If air remains in the tank, the element will be damaged when the electric cord is plugged in.

### **Connect the water heater to a GROUNDED OUTLET.**

**The water heater is fitted with a power cord that is intended to plug into a grounded 110-120 V/AC receptacle. Adhere to all pertinent State and local codes. Install the correct size circuit breaker into the master panel. The Eccotemp EM water heater was manufactured and wired in accordance with ETL requirements.**

**The water heater is equipped with an overheat limiting device with a manual reset. Also known as the temperature high limit, this device has been factory installed to interrupt the power supply in the event of a thermostat failure.**

### **THIS WATER HEATER IS DESIGNED FOR 110-120V SERVICE - DO NOT CONNECT TO ANY OTHER VOLTAGE.**

Failure to use proper voltage may result in personal injury and/or property damage. If the supplied electrical power cord is either damaged or not long enough, do NOT use an extension cord. Have a licensed electrician replace the power cord.



## INSTRUCTIONS FOR USE

**CONGRATULATIONS! You are now ready to use your water heater. Run the hot water at a nearby sink and evaluate the hot water temperature. Make any temperature adjustment using the section below:**

### **SETTING THE THERMOSTAT:**

The water heater is equipped with an adjustable thermostat that once set will automatically control water temperature. The lamp remains illuminated while the water is being heated. If the water in the tank is at the desired temperature the lamp will NOT be illuminated.

The temperature-adjusting knob will increase the temperature by turning the knob clockwise and decrease the water temperature by turning the knob counter clockwise

When not being used for a lengthy period of time, you can conserve energy by reducing the water temperature setting.

### **PROTECTING AGAINST FREEZE DAMAGE:**

When the water heater is not being used for an extended period of time and there is a risk of freezing, unplug and drain the water heater.



## MAINTENANCE INSTRUCTIONS

**Do not attempt to repair this water heater yourself. Call a qualified service person for service assistance. Always unplug the power supply cord when the water is turned off or when servicing or draining the water heater.**

**Before calling for service, first confirm that the water heater is properly filled and that 110VAC power has not been interrupted.**

**WARNING: Before servicing or cleaning the water heater, disconnect the power cord from the electrical outlet.**

**NOTE: For most maintenance operations, the water heater will be drained. In all cases before draining you must unplug the power cord.**

### **DRAINING AND REMOVING THE WATER HEATER:**

1. Unplug the water heater.
2. Open a hot water faucet to let hot water run out. Allow water to flow until water is no longer hot.
3. Turn off the cold water supply to the water heater.
4. Close the hot water faucet.
5. Disconnect the water heater from both the hot and cold water connections.
6. If possible siphon out remaining water.
7. Carefully detach the water heater from the wall.
8. Tilt the water heater to drain remaining water out of the heater.

### **REMOVING THE HEATING ELEMENT:**

1. Turn off power supply; unplug water heater power cord and drain (see above).
2. Remove cover.
3. Remove all the line wires from the heating element.
4. Unscrew the heating element retaining nuts.
5. Remove the element.



### DESCALING THE HEATING ELEMENT:

Scale deposits can affect the heating capability of the element. Heavy scale can even cause the element to burn out. The element can be descaled chemically or manually.

1. Remove the heating element (see above).
2. To descale chemically, soak the heating element in white vinegar or other descaling solution and then rinse well with fresh water.
3. To descale manually, let element dry and then using a non metallic brush similar to a tooth brush; brush the residue from the element. Avoid damaging the surface of the element.
4. Reinstall the element and gasket.
5. Refill tank with water before turning on the power to the water heater.

### REPLACING THE HEATING ELEMENT:

1. Unplug and drain the water heater (see prior instructions).
2. Remove heating element noting original positions of all connections.
3. Install new element with gasket making sure the new element and gasket are positioned correctly.
4. Tighten retaining nuts and make the wire connections to their original locations.

### REPLACING THE ANODE ROD:

The anode rod helps protect the tank against corrosion. Depending on the water condition, the magnesium anode rod may need to be changed every year or so. Galvanic and electrolytic corrosion can destroy a tank if the anode rod is "spent" Rusty water is usually an indication of a "spent" anode rod. If rusty water is present, examine anode rod immediately. Rapid degradation of the anode rod (less than 1year) may indicate the presence of galvanic corrosion due to "stray" direct current. In this case, it may be necessary to add a "grounding strap" from the tank to the copper plumbing.

1. Turn off the power supply and drain the heater
2. Remove heating element
3. Remove and replace the anode rod
4. Refill tank with water before restoring power.

### CHANGING THE THERMOSTAT:

1. Unplug the water heater from the electrical outlet.
2. Drain and remove the water heater. (see page 12)
3. Remove the front panel of the water heater and loosen the two brass screws to pull wires out.
4. Remove thermostat knob and unscrew two retaining screws.
5. Remove the thermostat probe from the well.
6. Install new thermostat, attach wires and tighten screws.



### **RESETTING THE HIGH LIMIT SWITCH:**

The high limit safety shut off switch will shut the water heater down when water temperatures exceed 185 F. Power is automatically turned off to the heating element. The shut off device may activate as a result of a power outage or an electrical storm.

**NOTE:** Do not attempt to reset the high limit switch without first allowing the water heater to cool down the high temperature water inside the heater.

**WARNING:** Do not tamper with the reset button to override overheating shut down.

1. Unplug the water heater from the electric outlet.
2. Drain and remove the water heater. (see page 12)
3. Remove the front panel of water heater and locate the high limit reset button.
4. Depress the small red button in the center of the junction box, replace the bottom panel and place the water heater back into service.

**NOTE:** A lower temperature setting saves energy and reduces the risk of scalding.

**CAUTION!:** Call a technician if the high limit needs to be reset frequently.



## TROUBLESHOOTING

### **PROBLEM: Water does not get hot**

1. Make sure the power supply is on and working.
2. If light does not come on, check that the reset button is pushed in; follow steps from previous section.
3. If the indicator light is illuminated, but water temperature does not get hot at the sink, test for a plumbing crossover as follows; shut off cold water supply to water heater and open hot water tap. There should be no water flowing. Any continuous flow indicates a cross over which will effect the temperature and will need to be corrected.
4. If there is no crossover, then replace the heating element (see previous sections).

### **PROBLEM: Indicator light not on**

1. If the light does not come on, but water gets hot, check for faulty bulb.
2. Check reset button; follow steps from previous section.

### **PROBLEM: Brown water**

1. Brown or rusty water indicates a spent anode rod. Replace anode rod.

### **PROBLEM: Odor in water**

1. Smelly water could be due to an unusual reaction between local water and the heaters anode rod. Check anode rod.

### **PROBLEM: Water is too hot**

1. Turn the temperature knob counter clockwise to a lower temperature setting. If temperature does not lower within 60 minutes, then replace thermostat.

### **PROBLEM: Water is not hot enough**

1. Under Instructions for Use, see Setting the thermostat.

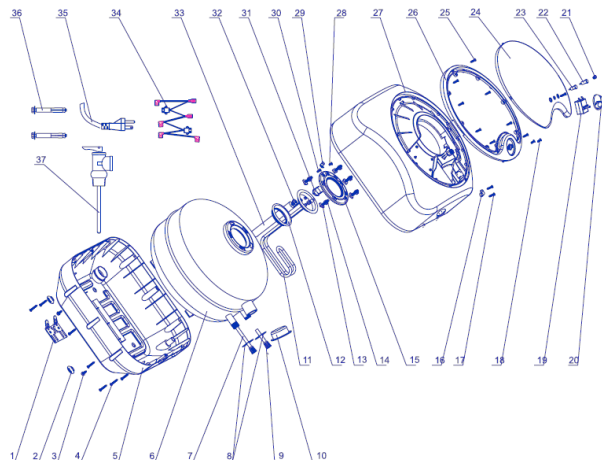
### **PROBLEM: Water is leaking**

1. Unplug water heater from 110 VAC outlet.
2. Check water fittings and T&P fitting in the top of the tank.
3. Remove cover and inspect heating element gasket.





## Schematic Disassembly



No.	Name of parts	Qty	Materials, Size & certificate approved
1	Mounting bracket	1	SPCC
2	foaming plug	2	pp
3	external 6 angles bolt	2	5T5.5x15
4	screw	12	5T4x30
5	rear cover	1	ABSFR500
6	inner tank components	1	SPCC, enamel
7	inlet pipe components	1	SUS 304
8	blue/red liner bushing of inlet/outlet pipe (a set)	1	PET, NPT 1/2
9	outlet pipe components	1	SUS 304
10	yellow liner bushing for T&P valve pipe	1	NPT 3/4
11	heating element	1	1440W, 120V, UL certificate
12	sealing ring of heating element	1	silica gel, UL certificate
13	square head bolt	5	M8X26
14	bolt M8	5	M8
15	flange cover	1	spcc
16	lock down cable clamp	1	ABSFR500
17	screw	3	5T3.5x18
18	screw	2	M4x10
19	thermostat	1	CQC/VDE/CE/UL certificate, 60 C.20A, RHOS

No.	Name of parts	Qty	Materials, Size & certificate approved
20	temperature adjusting knob	1	ABSFR500
21	screw cover	1	ABSFR, 500
22	green lamp	1	UL certificate
23	red lamp	1	UL certificate
24	maintenance cover	1	ABSFR, 500
25	screw	2	5T3.5x16
26	control panel	1	ABSFR, 500
27	Front cover	1	ABSFR, 500
28	screw	2	M4x8
29	L support	1	SPCC, galvanize
30	screw	1	M4x12, galvanize
31	temperature limiter	1	CQC/VDE/CE/UL, 85 C 20A, RHOS
32	bolt M6	1	M6, stainless steel
33	Magnesium Anode	1	Mg
34	inner wire components	1	UL certificate, 16AWG
35	power cable	1	UL certificate, 316AWG, 120Dimm, RH5
36	expansion bolt	2	M6x70, galvanize
37	temperature pressure valve	1	UL certificate, NPT 3/4, 1.04 MPa, 99 C



# Warranty

## COVERAGE

Eccotemp System LLC, guarantees this water heater to the Owner of the water heater at the original installation location against defects in material a workmanship for the periods specified below.

## WARRANTY PERIOD

**1. The Inner Tank** - If the inner tank leaks within five (5) years from the date of original installation of the water heater, because of a defect in material or workmanship, Eccotemp will furnish to such Owner a new heater of the then prevailing comparable model.

**2. Any Component Part Other than The Original Inner Tank.**

If any component part (other than the inner tank) proven to be defective in material or workmanship within one (1) year from the date of original installation of the water heater, Eccotemp will furnish the Owner with a replacement of the defective part(s)

**3. Verification of Date of Original Installation.** When Owner cannot verify or document the original date of installation, the warranty period begins on the date of manufacture marked on the tag affixed to the water heater.

## EXCLUSIONS

1. THIS LIMITED WARRANTY SHALL BE THE EXCLUSIVE WARRANTY MADE BY THE MANUFACTURER AND IS MADE IN LIEU OF ALL OTHER WARRANTIES, EXPRESSED OR IMPLIED (WHETHER WRITTEN OR ORAL), INCLUDING, BUT NOT LIMITED TO, WARRANTIES OF MERCHANTABILITY AND FITNESS FOR A PARTICULAR PURPOSE.

2. The Manufacturer shall not be liable for any incidental, consequential, special or contingent damages or expenses arising, directly or indirectly, from any defect in the water heater or the use of the water heater.

3. The Manufacturer shall not be liable for any water damage arising, directly or indirectly, from any defect in the water heater component part(s) or from its use.

4. Manufacturer shall not be liable under this warranty if:

- The water heater or any of its component parts has been subject to misuse, alteration, neglect or accident, or
- The water heater has not been installed in accordance with the applicable local plumbing and/or building code(s) and/or regulation(s), or
- The water heater has not been installed in accordance with the printed manufacturer's instructions, or
- The water heater is not continuously supplied with potable water.

5. The OWNER and not the Manufacturer or his representative shall be liable for and shall pay for all field charges for labor or other expenses incurred in the removal and/or repair of the product or any expense incurred by the owner in order to repair the product.

SOME STATES DO NOT ALLOW THE EXCLUSION OR LIMITATION OF INCIDENTAL OR CONSEQUENTIAL DAMAGES, SO THE ABOVE LIMITATION OR EXCLUSION MAY NOT APPLY TO YOU. THIS WARRANTY GIVES YOU SPECIFIC LEGAL RIGHTS AND YOU MAY ALSO HAVE OTHER RIGHTS WHICH MAY VARY FROM STATE TO STATE.

**IMPORTANT: OWNER SHALL KEEP THIS MAKE A CLAIM.**

**NOTE:** A water heater should be installed in such a manner that if it should leak, the resulting flow of water will not cause damage to the area in which it is installed.

## HOW THE OWNER CAN SECURE SERVICE OR MAKE A CLAIM

- Owner should contact the dealer who sold the water heater covered by this warranty or
- Owner should submit the warranty claim directly to [Support@eccotemp.com](mailto:Support@eccotemp.com) at the address listed below, and they will arrange for the handling of the claim
- Whenever any inquiry or service request is made, be sure to include the water heater model number ,the series number , date of installation, Dealer's name and the watts and voltage.
- When returning the water heater or component part(s), they must be individually tagged and identified with the Returned Goods Authorization # issued by Eccotemp and shipped prepaid to Eccotemp at the address below

**Eccotemp Systems LLC**

**315-A Industrial Road Summerville, SC 29483**



# ELECTRIC PRODUCT COMPARISONS

## ie15

## ie18

## ie24

## ie27



	ie15	ie18	ie24	ie27
INSTALLATION	INDOOR ONLY	INDOOR ONLY	INDOOR ONLY	INDOOR ONLY
Rated GPM	1.25 Gallons per Minute	2 Gallons per Minute	3.5 Gallons Per Minute	4.5 Gallons per minute
Voltage	240	240	240	240
Kilowatt	15kw	18kw	24kw	27kw
Max Amp. Load	64	75	100	113
Wire Size (AWG)	#8	#8	#8	#8
Temperature Control	Automatic 90° - 140°	Automatic 90° - 140°	Automatic 90° - 140°	Automatic 90° - 140°
Temp Rise	1 GPM - 54°	1 GPM - 67°	2.5 GPM - 58°	3.5 GPM - 55°
Temp Rise	1.25 GPM - 45°	2 GPM 45°	3.5 GPM 45°	4.5 GPM - 45°
Temp Rise	1.75 - 27°	3 GPM - 23°	4.5 GPM - 32°	5.5 GPM - 35°
Warranty	2 year limited	2 year limited	2 year limited	2 year limited
Product Dimensions	12" x 5" x 20" - 25 lbs	12" x 5" x 20" - 25 lbs	13" x 5" x 21" - 26 lbs	13" x 5" x 23" - 27 lbs
Suggested Uses	single application use	apartment, cottages, whole home, 2 applications in warmer climates	whole home up to 3 applications	whole home, multiple applications

SPECIFICATIONS

[WWW.ECCOTEMP.COM](http://WWW.ECCOTEMP.COM)





**ECCOTEMP**  
THE FUTURE OF EFFICIENCY

PHONE: 866-356-1992 | EMAIL: [SUPPORT@ECCOTEMP.COM](mailto:SUPPORT@ECCOTEMP.COM) | ADDRESS: 315 - A INDUSTRIAL RD SUMMERVILLE, SC 29483



PRODUCT SUPPORT: [ECCOTEMP.COM/HELP-DESK](http://ECCOTEMP.COM/HELP-DESK)



SHOP ONLINE: [ECCOTEMP.COM/PRODUCT](http://ECCOTEMP.COM/PRODUCT)



STORE LOCATOR: [ECCOTEMP.COM/LOCATOR](http://ECCOTEMP.COM/LOCATOR)

[ECCOTEMP.COM](http://ECCOTEMP.COM)

