

DOLCECLIMA FRESCO

12AC & 15AC Wi-Fi

Model #'s: 02161 & 02162



INSTRUCTION FOR USE AND MAINTENANCE **ENG**



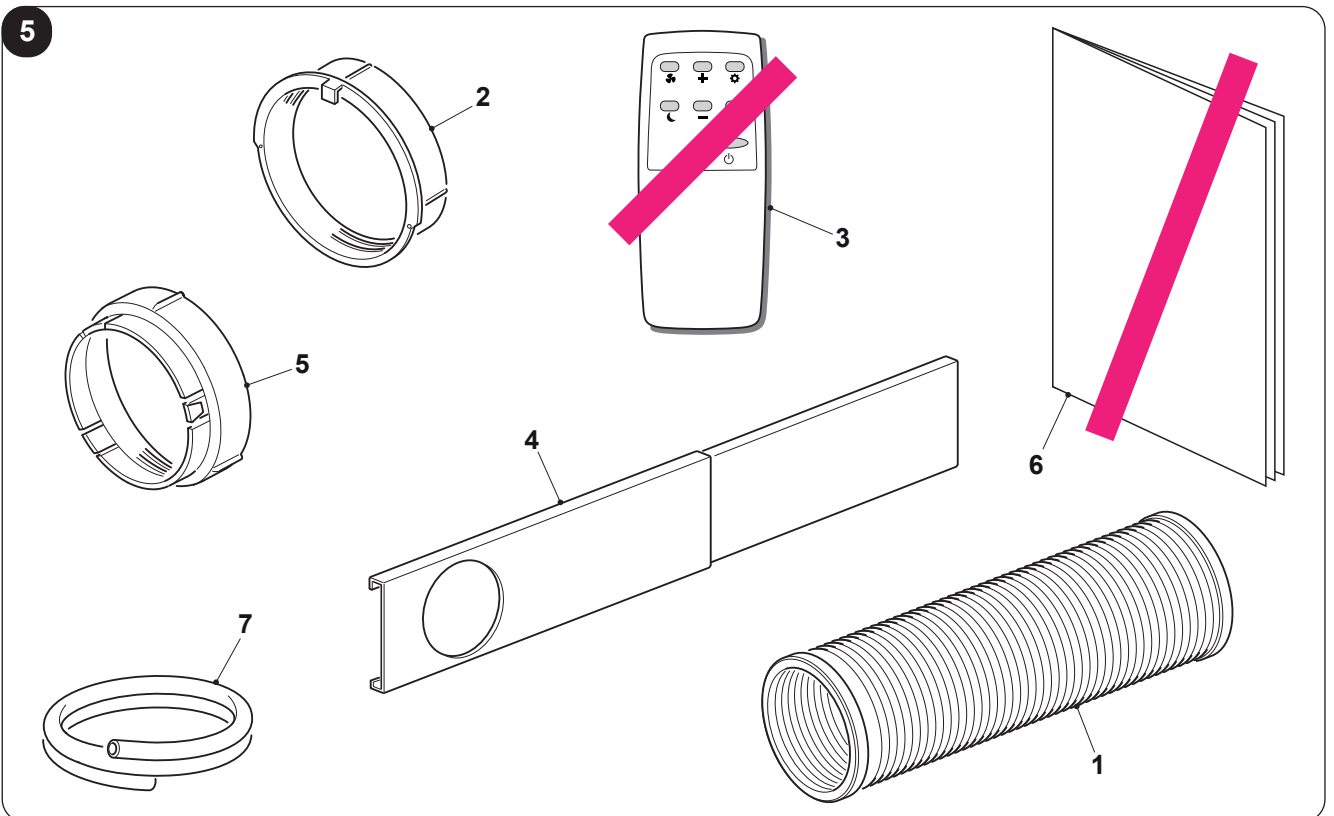
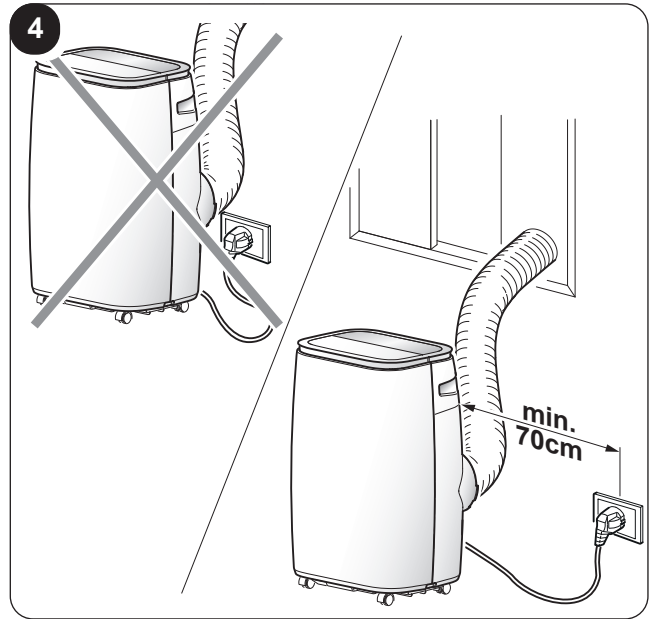
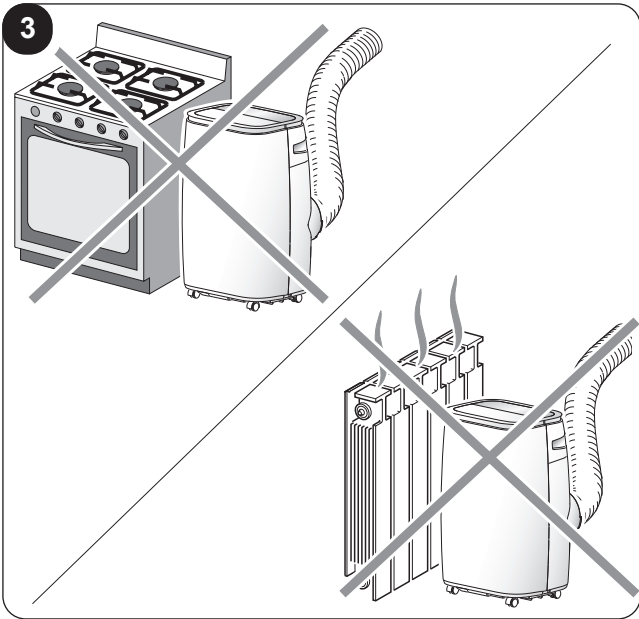
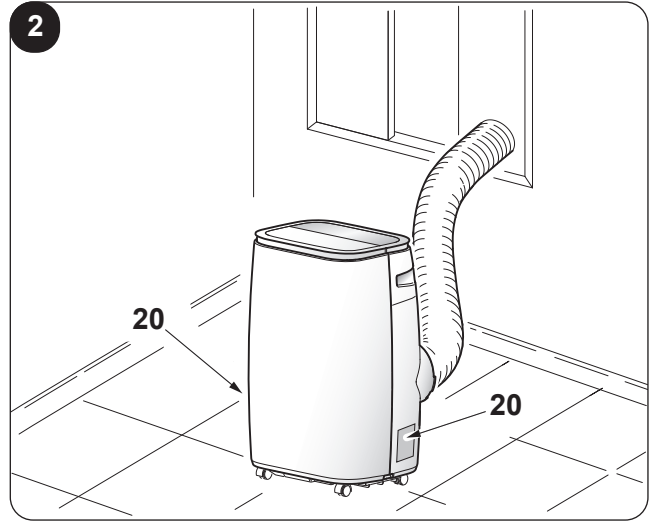
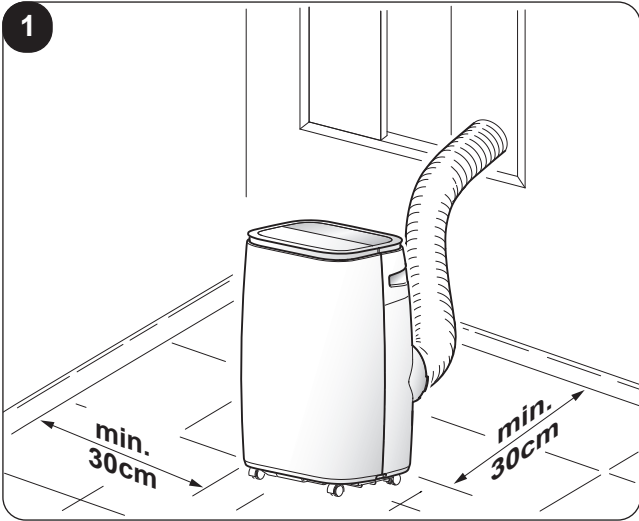
Caution: risk of fire

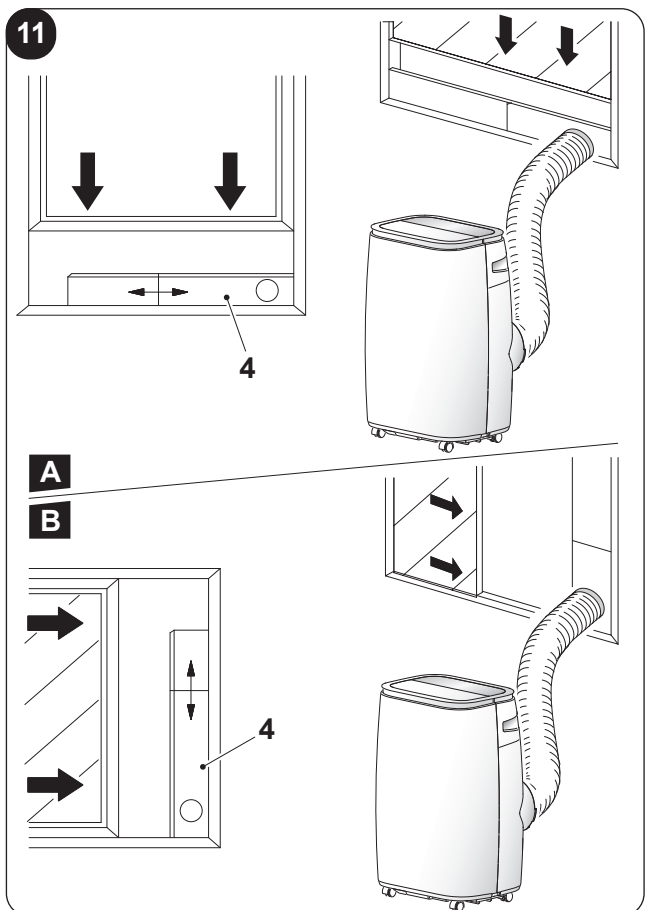
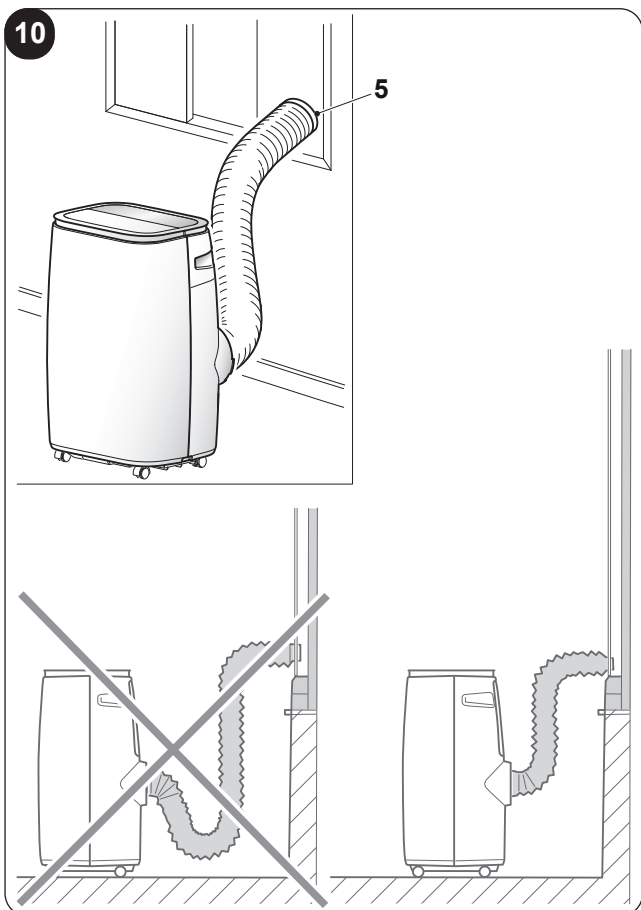
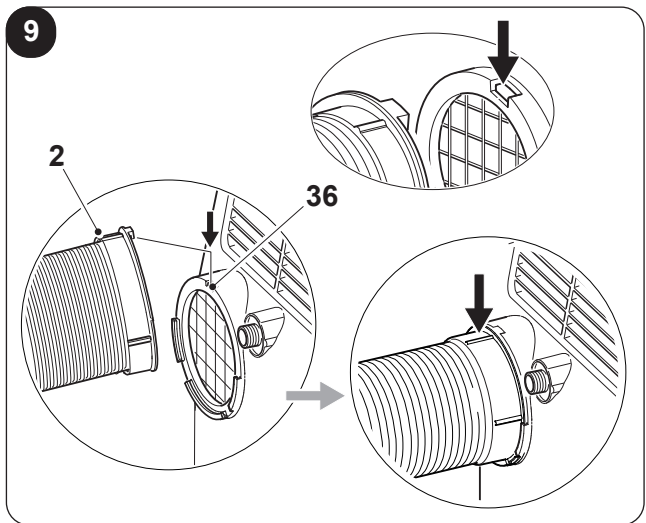
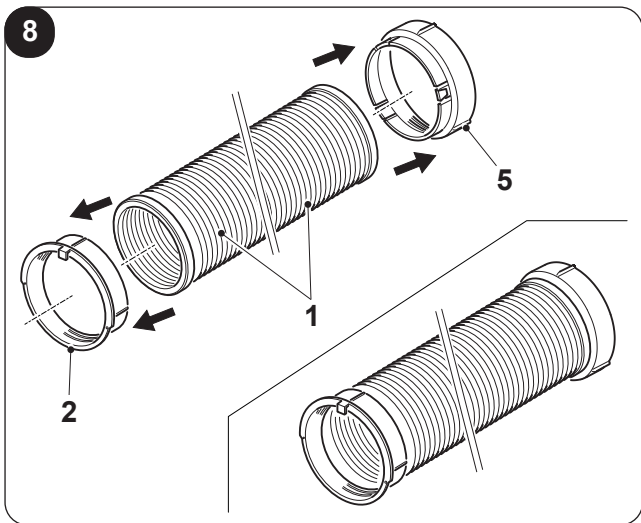
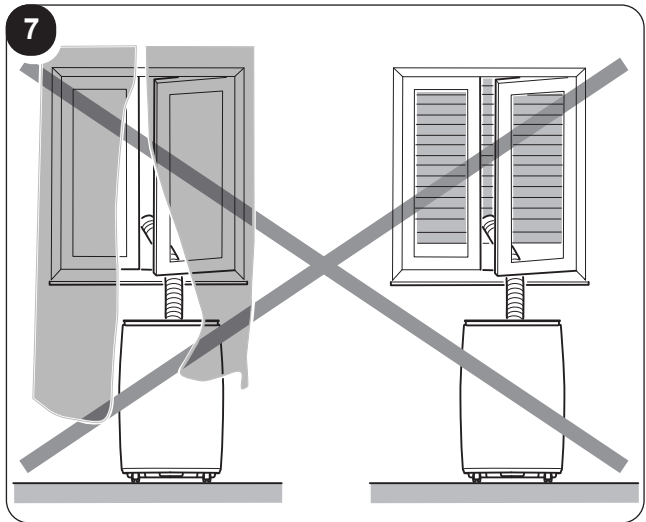
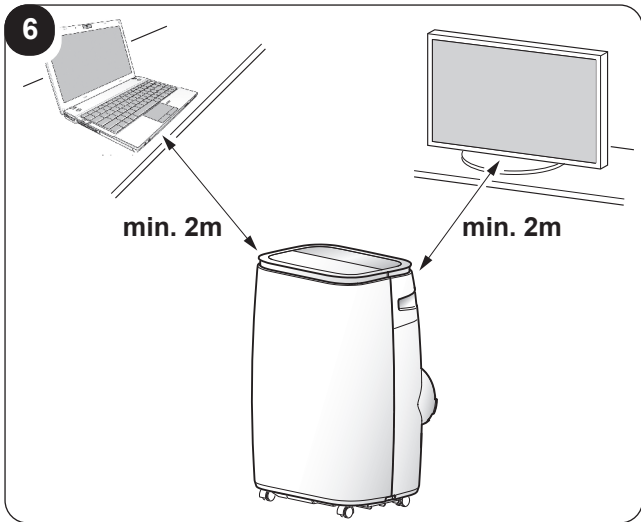


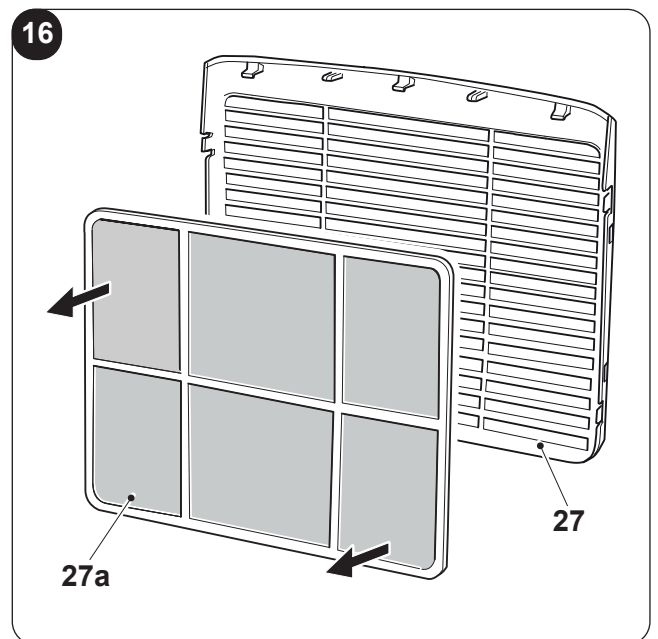
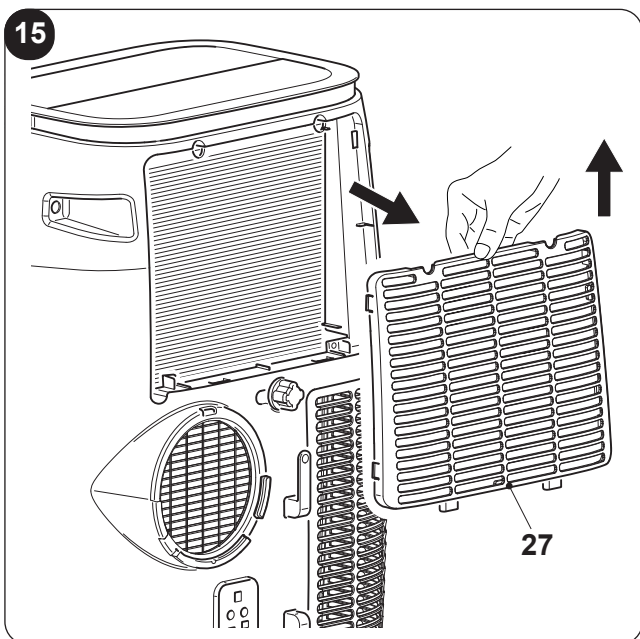
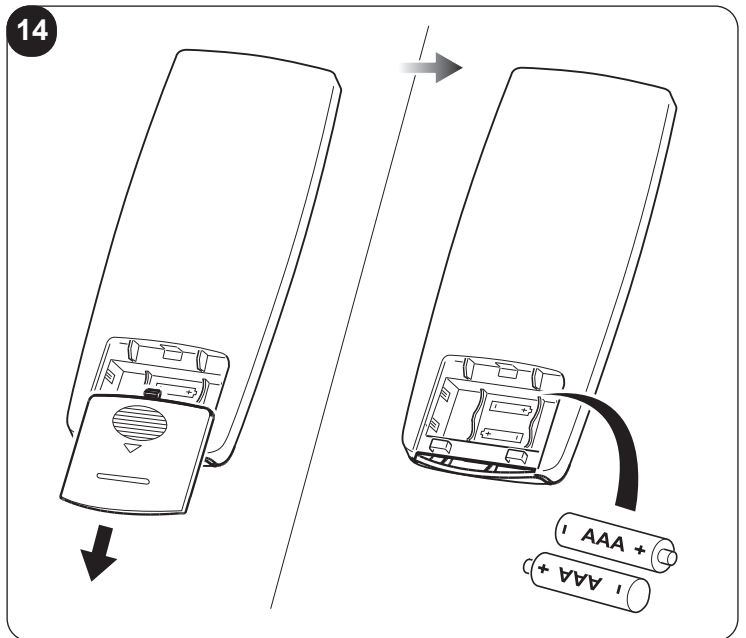
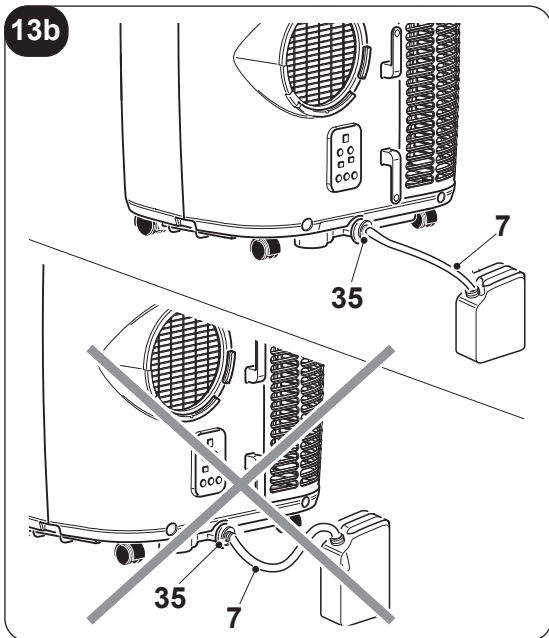
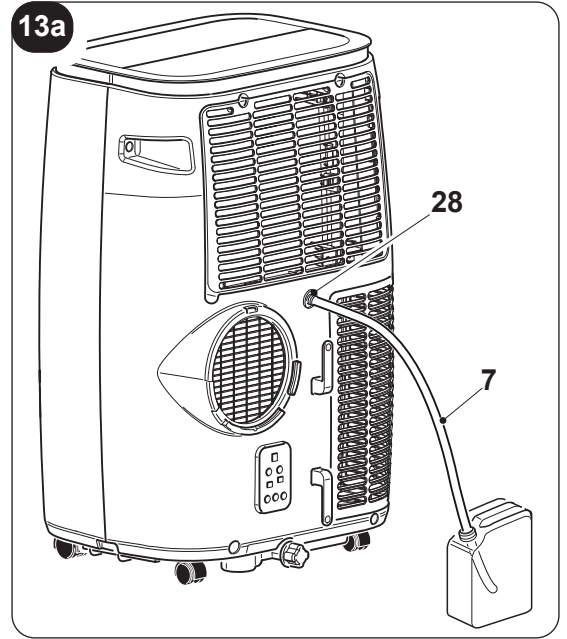
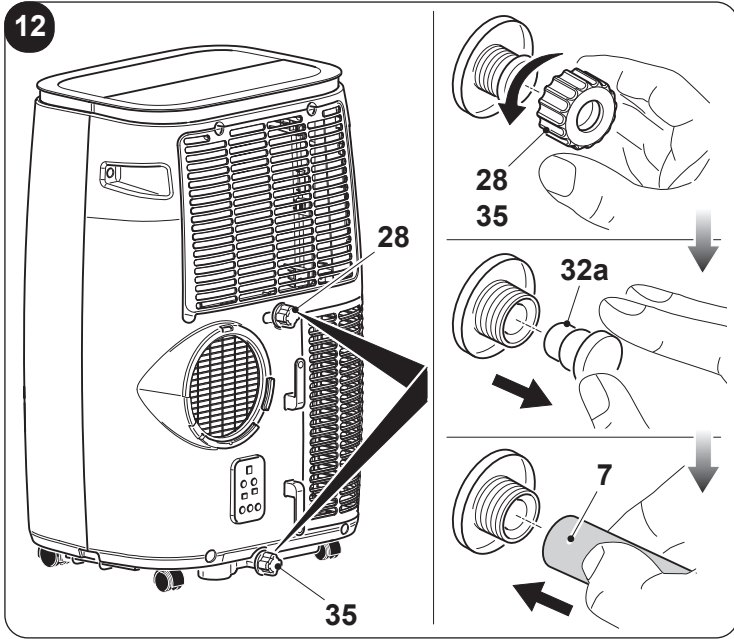
 **OLIMPIA
SPLENDID**
HOME OF COMFORT

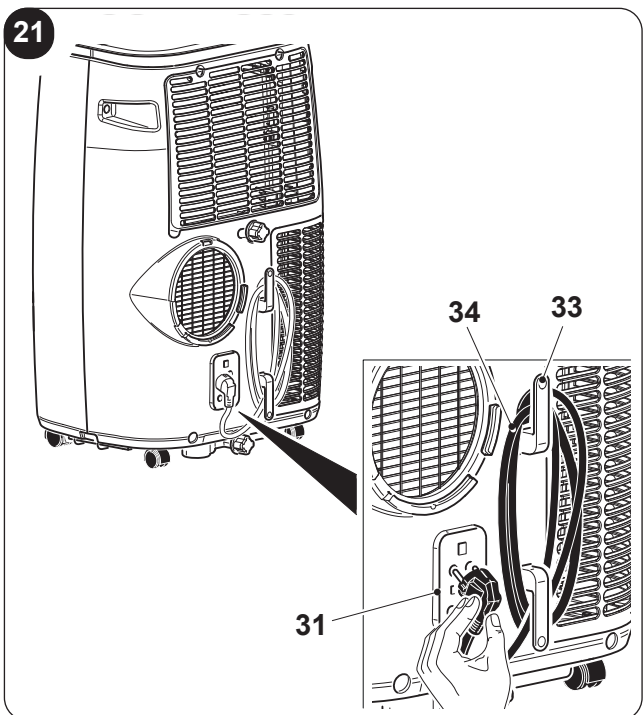
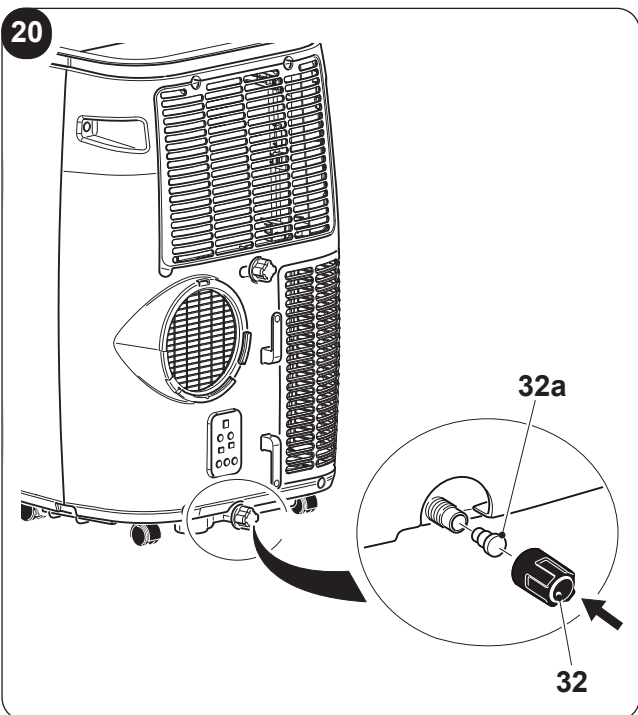
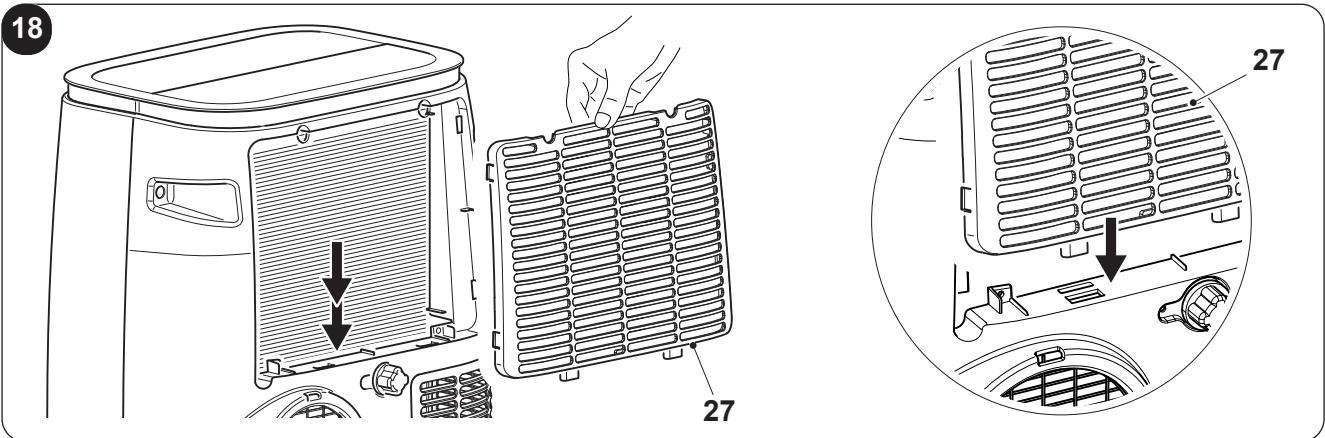
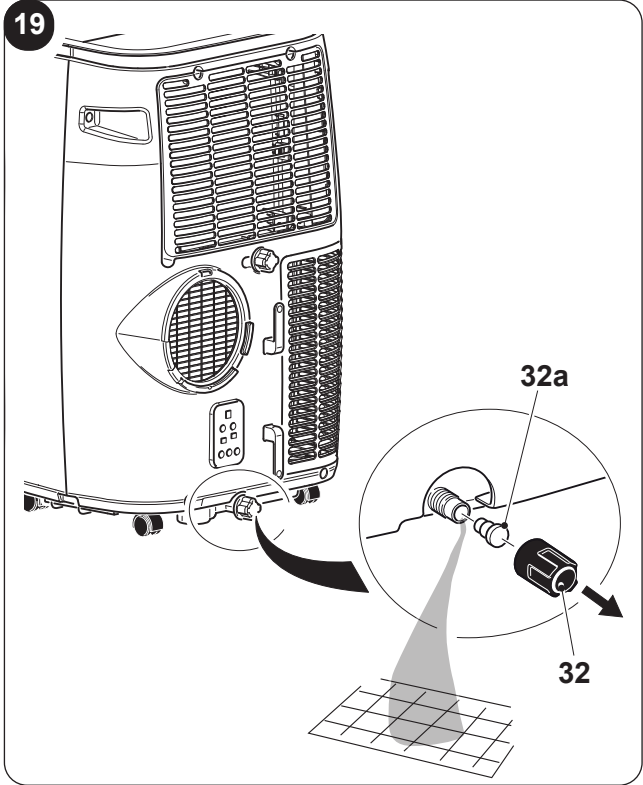
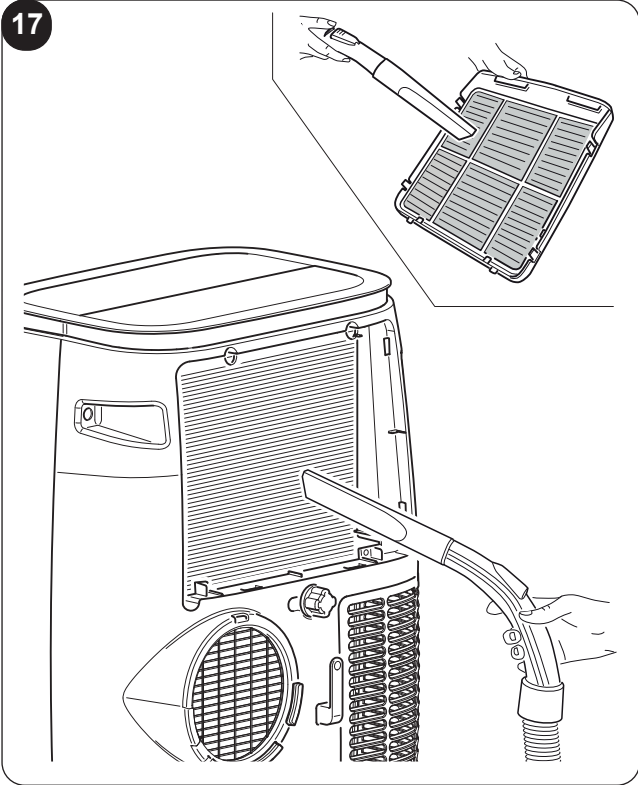
WARNINGS

1. The appliance contains R32 gas (A2L flammability classification)
2. The appliance shall be stored in a well-ventilated area where the room size corresponds to the room area as specified for operation. The appliance must be installed, used and stored in a room with a floor surface in compliance with the minimum sizes indicated in the chart at page 9. This appliance contains a quantity of refrigerant gas R32 equal to the one indicated in the data label located on the appliance.
3. This appliance can be used by children aged from 8 years and above and person with reduced physical, sensory or mental capabilities or lack of experience and knowledge if they have been given supervision or instruction concerning use of the appliance in a safe way and understand the hazards involved. Children shall not play with the appliance. Cleaning and user maintenance shall not be made by children without supervision. (be applicable for the European Countries).
4. This appliance is not intended for use by persons (including children) with reduced physical, sensory or mental capabilities or lack of experience and knowledge, unless they have been given supervision or instruction concerning use of the appliance by a person responsible for their safety. (be applicable for other countries except the European Countries).
5. If the power cable is damaged, it must be replaced by the manufacturer or by its technical support service or by similarly qualified personnel, to prevent any risk to the user.
6. To prevent any electrocution risk, it is essential to disconnect the plug from the power socket before performing any maintenance operation on the appliance.
7. For the correct operation of the appliance, observe the minimum distances and the indications written in this manual (see figure 1).
8. For the correct electrical connection of the appliance, follow the indications in paragraph 2.4.

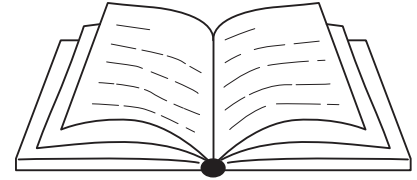




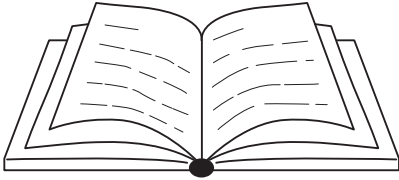




MAIN INDEX



0 -	WARNINGS	3
0.1 -	GENERAL INFORMATION	3
0.2 -	SYMBOLS	3
0.2.1 -	Editorial pictograms	3
0.3 -	GENERAL WARNINGS	4
0.4 -	PROPER USE	8
0.5 -	HAZARDOUS ZONES	8
0.6 -	WARNINGS FOR R32 REFRIGERANT GAS	9
1 -	DESCRIPTION OF THE APPLIANCE	16
1.1 -	LIST OF COMPONENTS	16
1.2 -	IDENTIFICATION OF THE MAIN COMPONENTS	16
2 -	INSTALLATION	17
2.1 -	HOW TO TRANSPORT THE CONDITIONER	17
2.2 -	WARNINGS	17
2.3 -	MOBILE INSTALLATION	18
2.4 -	ELECTRICAL CONNECTION	18
2.5 -	DRAINAGE	18
3 -	USE OF THE APPLIANCE	19
3.1 -	CONTROL PANEL SYMBOLS AND KEYS	19
3.2 -	REMOTE CONTROL KEYS	19
3.3 -	USE OF THE REMOTE CONTROL	20
3.3.a -	Installation of batteries	20
3.3.b -	Replacement of batteries	20
3.3.c -	Location of the remote control	21
3.4 -	USE OF THE APPLIANCE	21
3.4.a -	Preliminary operations	21
3.4.b -	Appliance switching on/off	21
3.5 -	COOLING MODE (COOL)	22
3.6 -	DEHUMIDIFICATION MODE (DRY)	22
3.7 -	FAN ONLY MODE (FAN)	22
3.8 -	HEATING MODE (HEAT)	22
3.9 -	SLEEP MODE	22
3.10 -	TIMER MODE	23
3.11 -	SWING FUNCTION	23
3.12 -	WIFI FUNCTION	23



4 - MAINTENANCE AND CLEANING	23
4.1 - CLEANING	24
4.1.a - Cleaning the appliance and the remote control.....	24
4.1.b - Cleaning the suction filter.....	24
4.1.c - Recommendations for energy saving.....	24
4.2 - MAINTENANCE	24
4.2.a - Discharging condensation.....	25
5 - TECHNICAL DATA.....	25
6 - TROUBLESHOOTING	25



DISPOSAL

This symbol on the product or its packaging indicates that the appliance cannot be treated as normal domestic trash, but must be handed in at a collection point for recycling electric and electronic appliances.

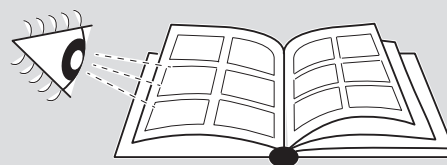
Your contribution to the correct disposal of this product protects the environment and the health of your fellow men. Health and the environment are endangered by incorrect disposal.

Further information about the recycling of this product can be obtained from your local town hall, your refuse collection service, or in the store at which you bought the product.

This regulation is valid only in EU member states.

ILLUSTRATIONS

The illustrations are grouped on the initial pages of the manual



0 - WARNINGS

0.1 - GENERAL INFORMATION

First of all, we would like to thank you for choosing our appliance.

0.2 - SYMBOLS

The pictograms in the next chapter provide the necessary information for correct, safe use of the machine in a rapid, unmistakable way.

0.2.1 - Editorial pictograms



Service

Refers to situations in which you should inform the SERVICE department in the company:
Olimpia Splendid technical support 1-800-408-5196



Index

Paragraphs marked with this symbol contain very important information and recommendations, particularly as regards safety.

Failure to comply with them may result in:

- danger of injury to the operators
- voiding the warranty
- refusal of liability by the manufacturer.



Raised hand

Refers to actions that absolutely must not be performed.



HAZARD

Indicates that the appliance uses inflammable refrigerant. If the refrigerant escapes and is exposed to a source of external ignition, there is a fire risk.



DANGER OF HIGH VOLTAGE

Signals to the personnel that the operation described could cause electrocution if not performed according to the safety rules.

**GENERIC DANGER**

It informs the personnel concerned that if the operation is not carried out in compliance with the safety regulations, it presents the risk of suffering physical damage.

**DANGER DUE TO HEAT**

It informs the personnel concerned that if the operation is not carried out in compliance with the safety regulations, it presents the risk of burns due to contact with components at very high temperatures.

**DO NOT COVER**

Indicates to the personnel concerned, that it is prohibited to cover the appliance, to prevent over-heating.

**ATTENTION**

- Indicates that this document must be read carefully before installing and/or using the appliance.
- Indicates that the assistance personnel must handle the appliance following the installation manual.

**ATTENTION**

- Indicates that there may be additional information in attached manuals.
- Indicates that information is available in the user manual or in the installation manual.

**ATTENTION**

Indicates that the assistance personnel must handle the appliance following the installation manual.

0.3 - GENERAL WARNINGS

**WHEN USING ELECTRICAL EQUIPMENT,
BASIC SAFETY PRECAUTIONS MUST ALWAYS BE FOLLOWED IN ORDER
TO REDUCE RISKS OF FIRE, ELECTRIC SHOCKS
AND INJURY, INCLUDING THE FOLLOWING:**



To prevent possible damages to the compressor, each start is delayed by 3 minutes with respect to the last switching off.



1. This document is restricted in use to the terms of the law and may not be copied or transferred to third parties without the express authorization of the manufacturer, OLIMPIA SPLENDID.
Our machines are subject to change and some parts may appear different from the ones shown here, without this affecting the text of the manual in any way.



2. Read this manual carefully before performing any operation (installation, maintenance, use) and follow the instructions contained in each chapter.



3. Keep the manual in a safe place for future reference.

4. After removing the packaging, check that the appliance is in perfect condition. The packaging materials must not be left within reach of children as they can be dangerous.

5. **THE MANUFACTURER IS NOT RESPONSIBLE FOR DAMAGES TO PERSONS OR PROPERTY CAUSED BY FAILURE TO FOLLOW THE INSTRUCTIONS IN THIS MANUAL.**

6. The manufacturer reserves the right to make any changes it deems advisable to its models, although the essential features described in this manual remain the same.

7. The maintenance of equipment for conditioning such as this one may result dangerous since inside this appliance a refrigerant gas under pressure and live electrical components are present.

For this reason, possible maintenance interventions (with the exception of filters cleaning) must be performed exclusively by authorized and qualified personnel.

8. Failing to comply with the instructions contained in this manual, and using the unit with temperatures exceeding the permissible temperature range will invalidate the warranty.

9. Routine maintenance of the filters and general external cleaning can be done by the user as these operations are not difficult or dangerous.

10. During assembly and at each maintenance operation, it is necessary to respect the precautions indicated in this manual and on the labels located inside or on the appliance, as well as to take all the precautions suggested by common sense and by the Safety Regulations in force in the country of installation.



11. In case of replacement of parts, use only original OLIMPIA SPLENDID parts.



12. If the unit is unused for a long period, or no-one uses the climate-controlled room, it is recommended to disconnect the electric power supply in order to prevent accidents.



13. Do not use liquid or corrosive detergents to clean the unit, do not spray water or other liquids onto the unit, since they could damage the plastic components or even cause electric shocks.



14. Do not wet the indoor unit and the remote control.
Short circuits or fires may occur.



15. In case of functioning anomalies (for example: abnormal noise, bad smell, smoke, abnormal increase in temperature, electrical dispersions, etc.), immediately switch off the appliance and disconnect the plug from the power socket.

For repair work contact solely the technical service center authorized by the manufacturer and ask for original spare parts to be used. Failure to do this can affect the safety of the appliance.

16. Do not let the air conditioner run for a long time when the humidity is very high and a door or a windows is left open.
Moisture may condense and wet or damage furniture.



17. Do not disconnect the power plug during functioning.
Fire or electrical shocks hazard.
18. Do not place heavy or hot objects on top of the appliance.
19. Before electrically connecting the appliance, make sure the plate data correspond to those of the distribution network. The power socket must be equipped with a Ground System. The data plate (20) is located on the sides of the appliance (Fig.2).
20. Install the appliance according to the manufacturer's instructions. An incorrect installation can cause damage to people, animals or property for which the manufacturer accepts no responsibility.
21. If the appliance's plug is incompatible with the socket, have the socket replaced with a suitable one by a qualified technician, who must ascertain that the section of the socket cables is compatible with the power absorbed by the appliance. We do not recommend using adaptors and/or extension cables. If they cannot be avoided, however, they must comply with current safety regulations and their ampacity (A) must not be below the maximum ampacity of the appliance.
22. This appliance is not intended to be run via an external timer or with a separate remote control system.
23. Always and only use the appliance in a vertical position.
24. Do not obstruct the air inlet and outlet grids in any manner.
25. Do not insert extraneous items in the air inlet and outlet grids as this will create the risk of electrical shocks, fire or damages to the appliance.
26. Do not use the appliance:
- with wet or damp hands;
- barefoot.
27. Do not pull the power cable or the appliance itself to remove the plug from the socket.
28. Do not use this product under direct sunlight or near a heat source such as a stove, heater or radiator (Fig.3).
29. Do not use the appliance near gas equipment (Fig.3).
30. Always place the appliance on a stable, plane and levelled surface.
31. Leave at least 12in of free space on both sides and behind the appliance and leave at least 12in of free space above it (Fig.1).

32. Do not place the appliance near a power socket (Fig.4).
33. The socket must be easily accessible so that the plug can be removed easily in an emergency.
34. Do not handle the plug with wet hands.
35. Do not excessively bend, twist, pull or damage the power cord.
36. Do not run the cord under carpeting, throw rugs or runners etc. Arrange cord away from traffic areas so that it will not be tripped over.
37. Unplug the cord when unit is not in use for an extended period of time and/or when no one is home.
38. Do not use the appliance in particularly moist environments (bathroom, kitchen, etc.).
39. Do not use the appliance outdoors or on wet surfaces. Avoid dropping liquids on the appliance. Do not use the appliance near sinks and taps.
40. Do not immerse the appliance in water or in other liquids.
41. Clean the appliance with a damp cloth; do not use abrasive products or materials. See the appropriate paragraph for the filters cleaning.
42. The most common cause of overheating is dust or lint deposit in the appliance. Regularly remove these accumulations by disconnecting the appliance from the power socket and vacuuming the grilles.
43. Do not use the appliance in environments subject to significant temperature changes as condensation could form inside the appliance itself.
44. Install the appliance at at least 6 feet from other electronic devices (TV, radio, computer, dvd player, etc.) in order to avoid disturbances (Fig.6).
45. Do not use the appliance if insecticide gas has just been sprayed in the room or in the presence of burning incenses, chemical vapours or oily residues.
46. Do not use the appliance if the filters are not positioned correctly.
47. Disassembly, repair or reversion performed by an unauthorized person could cause heavy damages and will cancel the manufacturer warranty.
48. Do not use the appliance in case of malfunctioning or faults, if the cord or plug are damaged, or if it has been dropped or damaged in any manner. Turn the appliance off, disconnect the plug from the socket and let it be checked by professionally qualified personnel.
49. DO NOT disassemble nor modify the appliance.
50. Repairing the appliance by yourself is extremely dangerous.

51. If you no longer wish to use this appliance, it must be made inoperative by cutting the power supply cable after removing the plug from the power socket. Hazardous parts of the appliance must be rendered harmless, especially as there is a risk of children playing with it.
52. Do not use tools different from those recommended by the manufacturer for the defrosting process and for the appliance cleaning.
53. The appliance is equipped with a thermal protector which preserves the circuit board in case of over-temperature. If this safety device intervenes, disconnect the plug from the power socket and wait for the appliance to completely cool down (at least 20-30 minutes) and then reconnect the plug to the power socket and restart the appliance.
If the appliance doesn't restart, disconnect the plug from the power socket and contact an Assistance Centre.



54. The unit containing R32 gas should stay away from flame ignition sources (such as gasoline, flammable gas, stoves) and other heat sources.

0.4 - PROPER USE

- The air conditioner must be used exclusively to produce warm* or cold air or to dehumidify air (upon choice) with the only purpose to make the environment temperature comfortable.
- This appliance is only intended for a domestic use or similar.
- An improper use of the appliance with possible damages caused to people, things or animals releases OLIMPIA SPLENDID from any responsibility.

0.5 - HAZARDOUS ZONES



- The climate controllers must not be installed in environments with the presence of inflammable gases, explosive gases, in very humid environments (laundries, greenhouses, etc.), or in places with other machines that generate a strong heat source, in proximity of a sources of salt water or sulphurous water.
- DO NOT use gas, gasoline or other inflammable liquids near to the climate controller.
- Only use supplied components (see paragraph 1.1). The use of non-standard parts may cause water leaks, electric shocks, fires and injuries or damages to things.



This product must be used exclusively according to the specifications indicated in this manual. Use different to that specified, could cause serious injuries.

THE MANUFACTURER IS NOT LIABLE FOR INJURY/DAMAGE TO PERSONS/OBJECTS DERIVING FROM FAILURE TO COMPLY WITH THE REGULATIONS CONTAINED IN THIS MANUAL.

* Only for version with heat pump

0.6 - WARNINGS FOR R32 REFRIGERANT GAS

1. THE APPLIANCE CONTAINS R32 GAS (FLAMMABILITY CLASSIFICATION A2L).
2. THE APPLIANCE SHALL BE STORED IN A WELL-VENTILATED AREA WHERE THE ROOM SIZE CORRESPONDS TO THE ROOM AREA AS SPECIFIED FOR OPERATION.
3. INSTALLED AND STORED IN A ROOM WITH A SURFACE HIGHER THAN THE ONE INDICATED IN THE CHART.

Quantity of R32 gas in oz (see data label on the appliance)	Minimum size of the site for use and storage ft ²
12.00	43
14.11	43

4. THIS APPLIANCE CONTAINS A QUANTITY OF REFRIGERANT GAS R32 EQUAL TO THE ONE INDICATED IN THE DATA LABEL LOCATED ON THE APPLIANCE.
5. THE APPLIANCE SHALL BE STORED IN A ROOM WITHOUT CONTINUOUSLY OPERATING IGNITION SOURCES (FOR EXAMPLE: OPEN FLAMES, AN OPERATING GAS APPLIANCE OR AN OPERATING ELECTRIC HEATER).
6. Do not pierce or burn.
7. Be aware that the refrigerants may not contain an odour.
8. R32 is a refrigerant gas in compliance with the European directives on environment. Do not pierce any part of the refrigerant circuit.
9. Do not use means to accelerate the defrosting process or to clean, other than those recommended by the manufacturer.
10. Do not use tools different from those recommended by the manufacturer when defrosting and cleaning the appliance.
11. If the appliance is installed, used or stored in a non-ventilated area, the room must be designed to prevent the accumulation of refrigerant leaks with the consequent fire or explosion hazard due to the refrigerant combustion caused by electrical heaters, stoves or others sources of ignition.
12. Compliance with national gas regulations shall be observed.
13. Keep ventilation openings clear of obstruction.
14. The appliance shall be stored so as to prevent mechanical damage from occurring.
15. To avoid danger, DO NOT attempt to repair or access the refrigerant in any way. Contact the manufacture or a service agent for assistance.



16. Servicing MUST only be performed as recommended by the equipment or qualified service agent.

17. TRANSPORT OF EQUIPMENT CONTAINING FLAMMABLE REFRIGERANTS
Compliance with the transport regulations.

18. MARKING OF EQUIPMENT USING SIGNS
Compliance with local regulations.

19. DISPOSAL OF EQUIPMENT USING FLAMMABLE REFRIGERANTS
Compliance with national regulations.

20. STORAGE OF EQUIPMENT/APPLIANCES
The storage of equipment should be in accordance with the manufacturer's instructions.

21. STORAGE OF PACKED (UNSOLD) EQUIPMENT
Storage package protection should be constructed such that mechanical damage to the equipment inside the package will not cause a leak of the refrigerant charge. The maximum number of pieces of equipment permitted to be stored together will be determined by local regulations.



22. INFORMATION ON SERVICING

a) Checks to the area

Prior to beginning work on systems containing flammable refrigerants, safety checks are necessary to ensure that the risk of ignition is minimised.

For repair to the refrigerating system, the following precautions shall be complied with prior to conducting work on the system.

b) Work procedure

Work shall be undertaken under a controlled procedure so as to minimise the risk of a flammable gas or vapour being present while the work is being performed.

c) General work area

All maintenance staff and others working in the local area shall be instructed on the nature of work being carried out.

Work in confined spaces shall be avoided.

The area around the workspace shall be sectioned off.

Ensure that the conditions within the area have been made safe by control of flammable material.

d) Checking for presence of refrigerant

The area shall be checked with an appropriate refrigerant detector prior to and during work, to ensure the technician is aware of potentially flammable atmospheres.

Ensure that the leak detection equipment being used is suitable for use with flammable refrigerants, i.e. non-sparking, adequately sealed or intrinsically safe.

e) Presence of fire extinguisher

If any hot work is to be conducted on the refrigeration equipment or any associated parts, appropriate fire extinguishing equipment shall be available at hand.

Have a dry powder or CO₂ fire extinguisher adjacent to the charging area.

- f) No ignition sources
No person carrying out work in relation to a refrigeration system which involves exposing any pipe work that contains or has contained flammable refrigerant shall use any sources of ignition in such a manner that it may lead to the risk of fire or explosion.
All possible ignition sources, including cigarette smoking, should be kept sufficiently far away from the site of installation, repairing, removing and disposal, during which flammable refrigerant can possibly be released to the surrounding space.
Prior to work taking place, the area around the equipment is to be surveyed to make sure that there are no flammable hazards or ignition risks. No Smoking signs shall be displayed.
- g) Ventilated area
Ensure that the area is in the open or that it is adequately ventilated before breaking into the system or conducting any hot work.
A degree of ventilation shall continue during the period that the work is carried out.
The ventilation should safely disperse any released refrigerant and preferably expel it externally into the atmosphere.
- h) Checks to the refrigeration equipment
Where electrical components are being changed, they shall be fit for the purpose and to the correct specification.
At all times the manufacturer's maintenance and service guidelines shall be followed.
If in doubt consult the manufacturer's technical department for assistance.
The following checks shall be applied to installations using flammable refrigerants:
The charge size is in accordance with the room size within which the refrigerant containing parts are installed; The ventilation machinery and outlets are operating adequately and are not obstructed; If an indirect refrigerating circuit is being used, the secondary circuit shall be checked for the presence of refrigerant; Marking to the equipment continues to be visible and legible. Markings and signs that are illegible shall be corrected; Refrigeration pipe or components are installed in a position where they are unlikely to be exposed to any substance which may corrode refrigerant containing components, unless the components are constructed of materials which are inherently resistant to being corroded or are suitably protected against being so corroded.
- i) Checks to electrical devices
Repair and maintenance to electrical components shall include initial safety checks and component inspection procedures. If a fault exists that could compromise safety, then no electrical supply shall be connected to the circuit until it is satisfactorily dealt with. If the fault cannot be corrected immediately but it is necessary to continue operation, an adequate temporary solution shall be used.
This shall be reported to the owner of the equipment so all parties are advised. Initial safety checks shall include: That capacitors are discharged: this shall be done in a safe manner to avoid possibility of sparking; That there no live electrical components and wiring are exposed while charging, recovering or purging the system; That there is continuity of earth bonding.

23. REPAIRS TO SEALED COMPONENTS

- a) During repairs to sealed components, all electrical supplies shall be disconnected from the equipment being worked upon prior to any removal of sealed covers, etc. If it is absolutely necessary to have an electrical supply to equipment during servicing, then a permanently operating form of leak detection shall be located at the most critical point to warn of a potentially hazardous situation.
- b) Particular attention shall be paid to the following to ensure that by working on electrical components, the casing is not altered in such a way that the level of protection is affected.
This shall include damage to cables, excessive number of connections, terminals not made to original specification, damage to seals, incorrect fitting of glands, etc.
Ensure that apparatus is mounted securely.
Ensure that seals or sealing materials have not degraded such that they no longer serve the purpose of preventing the ingress of flammable atmospheres.
Replacement parts shall be in accordance with the manufacturer's specifications.



The use of silicon sealant may inhibit the effectiveness of some types of leak detection equipment. Intrinsically safe components do not have to be isolated prior to working on them.

24. REPAIR TO INTRINSICALLY SAFE COMPONENTS

Do not apply any permanent inductive or capacitance loads to the circuit without ensuring that this will not exceed the permissible voltage and current permitted for the equipment in use. Intrinsically safe components are the only types that can be worked on while live in the presence of a flammable atmosphere.

The test apparatus shall be at the correct rating.

Replace components only with parts specified by the manufacturer.

Other parts may result in the ignition of refrigerant in the atmosphere from a leak.

25. CABLING

Check that cabling will not be subject to wear, corrosion, excessive pressure, vibration, sharp edges or any other adverse environmental effects.

The check shall also take into account the effects of aging or continual vibration from sources such as compressors or fans.

26. DETECTION OF FLAMMABLE REFRIGERANTS

Under no circumstances shall potential sources of ignition be used in the searching for or detection of refrigerant leaks.

A halide torch (or any other detector using a naked flame) shall not be used.

27. LEAK DETECTION METHODS

The following leak detection methods are deemed acceptable for systems containing flammable refrigerants.

Electronic leak detectors shall be used to detect flammable refrigerants, but the sensitivity may not be adequate, or may need re-calibration. (Detection equipment shall be calibrated in a refrigerant-free area).

Ensure that the detector is not a potential source of ignition and is suitable for the refrigerant used

Leak detection equipment shall be set at a percentage of the LFL of the refrigerant and shall be calibrated to the refrigerant employed and the appropriate percentage of gas (25 % maximum) is confirmed.

Leak detection fluids are suitable for use with most refrigerants but the use of detergents containing chlorine shall be avoided as the chlorine may react with the refrigerant and corrode the copper pipe-work.

If a leak is suspected, all naked flames shall be removed/ extinguished.

If a leakage of refrigerant is found which requires brazing, all of the refrigerant shall be recovered from the system, or isolated (by means of shut off valves) in a part of the system remote from the leak.

Oxygen free nitrogen (OFN) shall then be purged through the system both before and during the brazing process.

28. REMOVAL AND EVACUATION

When breaking into the refrigerant circuit to make repairs or for any other purpose conventional procedures shall be used.

However, it is important that best practice is followed since flammability is a consideration.

The following procedure shall be adhered to:

- Remove refrigerant;
- Purge the circuit with inert gas;
- Evacuate;
- Purge again with inert gas;
- Open the circuit by cutting or brazing.

The refrigerant charge shall be recovered into the correct recovery cylinders.

The system shall be flushed with OFN to render the unit safe.

This process may need to be repeated several times.

Compressed air or oxygen shall not be used for this task.

Flushing shall be achieved by breaking the vacuum in the system with OFN and continuing to fill until the working pressure is achieved, then venting to atmosphere, and finally pulling down to a vacuum.

This process shall be repeated until no refrigerant is within the system. When the final OFN charge is used, the system shall be vented down to atmospheric pressure to enable work to take place.

This operation is absolutely vital if brazing operations on the pipe-work are to take place.

Ensure that the outlet for the vacuum pump is not close to any ignition sources and there is ventilation available.

29. CHARGING PROCEDURES

In addition to conventional charging procedures, the following requirements shall be followed.

Ensure that contamination of different refrigerants does not occur when using charging equipment. Hoses or lines shall be as short as possible to minimise the amount of refrigerant contained in them.

Cylinders shall be kept upright.

Ensure that the refrigeration system is earthed prior to charging the system with refrigerant.

Label the system when charging is complete (if not already).

Extreme care shall be taken not to overfill the refrigeration system. Prior to

recharging the system it shall be pressure tested with OFN.

The system shall be leak tested on completion of charging but prior to commissioning. A follow up leak test shall be carried out prior to leaving the site.

30. DECOMMISSIONING

Before carrying out this procedure, it is essential that the technician is completely familiar with the equipment and all its detail. It is recommended good practice that all refrigerants are recovered safely.

Prior to the task being carried out, an oil and refrigerant sample shall be taken in case analysis is required prior to re-use of reclaimed refrigerant. It is essential that electrical power is available before the task is commenced.

- a) Become familiar with the equipment and its operation.
- b) Isolate system electrically.
- c) Before attempting the procedure ensure that:
 - Mechanical handling equipment is available, if required, for handling refrigerant cylinders;
 - All personal protective equipment is available and being used correctly;
 - The recovery process is supervised at all times by a competent person;
 - Recovery equipment and cylinders conform to the appropriate standards.
- d) Pump down refrigerant system, if possible.
- e) If a vacuum is not possible, make a manifold so that refrigerant can be removed from various parts of the system.
- f) Make sure that cylinder is situated on the scales before recovery takes place.
- g) Start the recovery machine and operate in accordance with manufacturer's instructions.
- h) Do not overfill cylinders. (No more than 80 % volume liquid charge).
- i) Do not exceed the maximum working pressure of the cylinder, even temporarily.
- j) When the cylinders have been filled correctly and the process completed, make sure that the cylinders and the equipment are removed from site promptly and all isolation valves on the equipment are closed off.
- k) Recovered refrigerant shall not be charged into another refrigeration system unless it has been cleaned and checked.

31. LABELLING

Equipment shall be labelled stating that it has been de-commissioned and emptied of refrigerant.

The label shall be dated and signed.

Ensure that there are labels on the equipment stating the equipment contains flammable refrigerant.

32. RECOVERY

When removing refrigerant from a system, either for servicing or decommissioning, it is recommended good practice that all refrigerants are removed safely.

When transferring refrigerant into cylinders, ensure that only appropriate refrigerant recovery cylinders are employed.

Ensure that the correct number of cylinders for holding the total system charge is available.

All cylinders to be used are designated for the recovered refrigerant and labelled for that refrigerant (i.e. special cylinders for the recovery of refrigerant). Cylinders shall be complete with pressure relief valve and associated shut-off valves in good working order.

Empty recovery cylinders are evacuated and, if possible, cooled before recovery occurs.

The recovery equipment shall be in good working order with a set of instructions concerning the equipment that is at hand and shall be suitable for the recovery of flammable refrigerants.

In addition, a set of calibrated weighing scales shall be available and in good working order.

Hoses shall be complete with leak-free disconnect couplings and in good condition.

Before using the recovery machine, check that it is in satisfactory working order, has been properly maintained and that any associated electrical components are sealed to prevent ignition in the event of a refrigerant release.

Consult manufacturer if in doubt.

The recovered refrigerant shall be returned to the refrigerant supplier in the correct recovery cylinder, and the relevant Waste Transfer Note arranged.

Do not mix refrigerants in recovery units and especially not in cylinders. If compressors or compressor oils are to be removed, ensure that they have been evacuated to an acceptable level to make certain that flammable refrigerant does not remain within the lubricant.

The evacuation process shall be carried out prior to returning the compressor to the suppliers.

Only electric heating to the compressor body shall be employed to accelerate this process.

When oil is drained from a system, it shall be carried out safely.

1 - DESCRIPTION OF THE APPLIANCE

1.1 - LIST OF COMPONENTS (Fig.5)

The appliance is packaged singularly in a cardboard packaging.
The packaging can be transported by hand by two operators or loaded on a forklift.

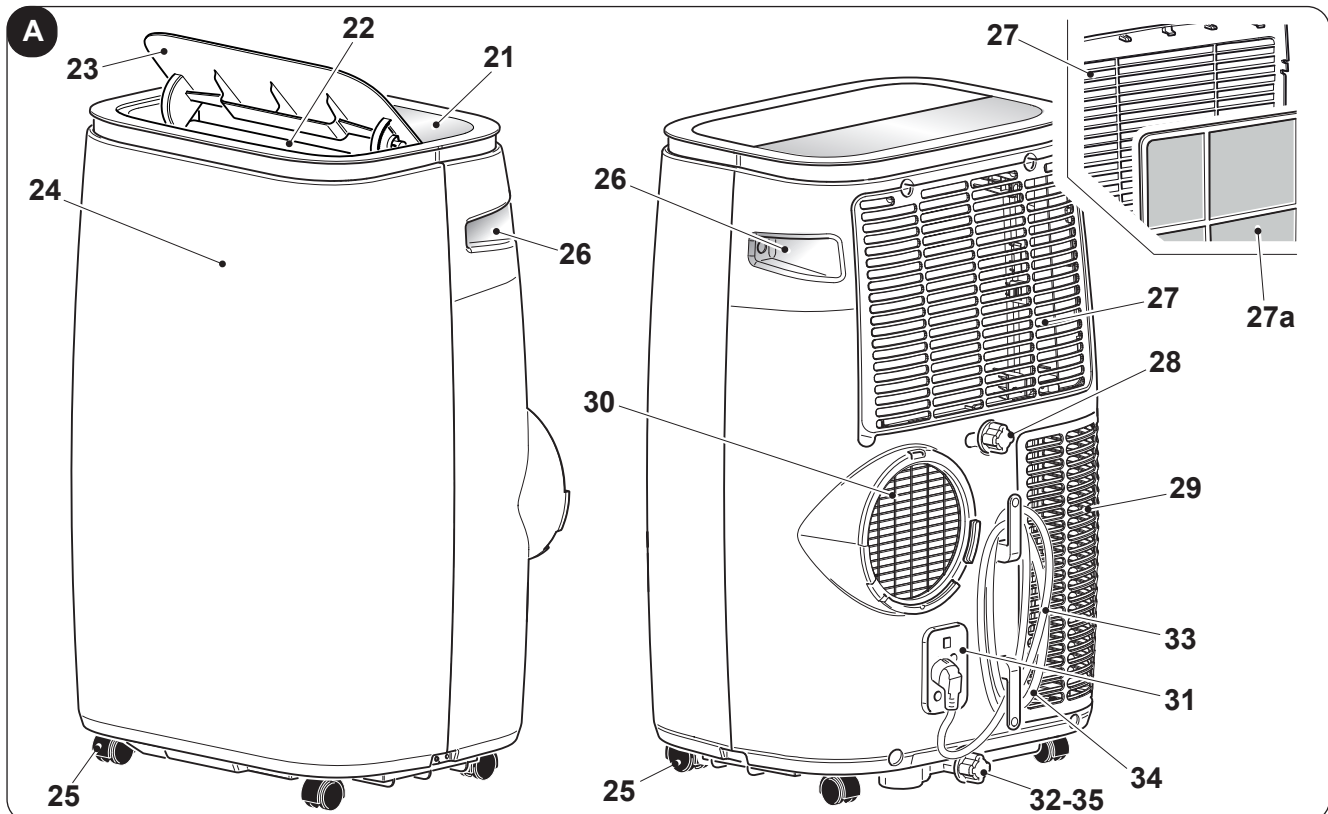


Store the packaging singularly; do not stack it.

1. Flexible hose for air expulsion
2. Terminal for flexible hose machine side
3. Remote control
4. Slider for installation on sliding / roller window
5. Terminal for slider / window installation
6. Manual
7. Condensation discharge pipe

1.2 - IDENTIFICATION OF THE MAIN COMPONENTS (Fig.A)

- | | |
|--|--|
| 21. Control panel | 29. Air inlet grille |
| 22. Air outlet grille | 30. Air outlet grille |
| 23. Flap | 31. Hole for plug housing |
| 24. IR remote control receiver | 32. Cap for condensation emptying (in case of transport, maintenance or excessive accumulation of water) |
| 25. Wheels | 33. Cable winder |
| 26. Handel | 34. Power supply cable |
| 27. Air filter grille | 35. Condensation drain cap (only for version with heat pump) |
| 27a. Air filter | |
| 28. Condensation drain cap (for use as dehumidifier) | |



2 - INSTALLATION

2.1 - HOW TO TRANSPORT THE CONDITIONER

- Transport and handling of the appliance must be carried out in vertical position.

In case of transport in horizontal position, before start-up of the appliance, place it in vertical position for at least two hours.

- Before moving or transporting the appliance, completely drain condensation by working as described in paragraph 4.2.a



CAUTION

Moving the air conditioner on delicate flooring (e.g. wooden flooring):

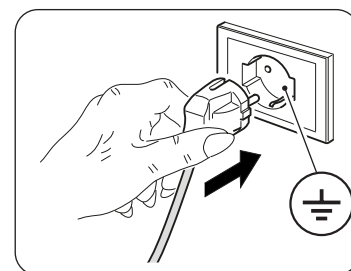
- **Completely drain condensation.**
- **Take great care when moving the conditioner as the wheels could mark the flooring. Although the wheels are made from a rigid material and are swivelling, they could get damaged by use or excessive dirt. It is recommended to check that the wheels are clean and that they can move freely.**

2.2 - WARNINGS



A failure to respect what follows may cause damages to the appliance.

- Install the air conditioner on flat and stable surfaces and on the floor.
- Only connect the air conditioner to power sockets equipped with a ground system.
- Make sure that curtains or other objects do not obstruct the air suction filters (Fig.7).
- Make sure to keep a minimum distance of 12 inches (Fig.1) between the air conditioner and the adjacent fixtures.
- The appliance must always be activated paying attention that there are no obstacles for air suction and output.
- The air conditioner must not be used in laundries.
- The air conditioner must be installed in a dry place only.
- The air conditioner must not be started in presence of dangerous materials, steams or liquids.
- Clean the air filters at least once a week.



2.3 - MOBILE INSTALLATION

The air conditioner must be installed in a suitable environment.

It is recommended to reduce solar radiation through curtains, Venetian blinds and to keep doors and windows closed.

- a. Position the air conditioner in front of a window or French window.
- b. Position the machine side terminal (2) on the flexible hose (1) as shown by Fig.8.
- c. Position the terminal (5) on the opposite side of the flexible hose (1) (Fig.8).
- d. Insert the machine side terminal (2) on the air outlet grid of the appliance (26) as shown in figure 9.
- e. Position the terminal (5) in such a way as to make air exit to the exterior (Fig.10)
- f. If you possess a sliding window (vertical or horizontal) or a shutter, it is possible to use the supplied "slider kit" (4) which allows a more efficient installation.
For the installation with slider kit, proceed as shown in figures 11a and 11b.

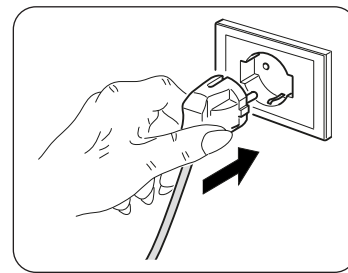


Extend the pipe only to the necessary extent, so that the air conveyor remains closed between the fixture shutters.

2.4 - ELECTRICAL CONNECTION

The appliance is fitted with a power cable with plug.
Before connecting the air conditioner ensure that:

- The voltage and power frequency values match those specified on the appliance plate data.
- The power line is equipped with an effective earth connection and is correctly sized for maximum power consumption of the air conditioner.
- The appliance's power network must be equipped with a suitable omnipolar disconnection device compliant with national installation regulations.
- The appliance is powered solely through a socket compatible with the plug provided.



CAUTION

Any replacement of the power cable must be carried out solely by Olimpia Splendid technical support or by similarly qualified personnel.

2.5 - DRAINAGE

Depending on the mode of operation of the appliance, it is necessary to connect the condensation drainage hose. For use as dehumidifier or heat pump (only for suitable models) work as follows (Fig.12-13a-13b):

- a. Unscrew the cap (28) or the cap (35) for models with heat pump.
- b. Remove the rubber cap (32).
- c. Insert the pipe (7) in the connector.



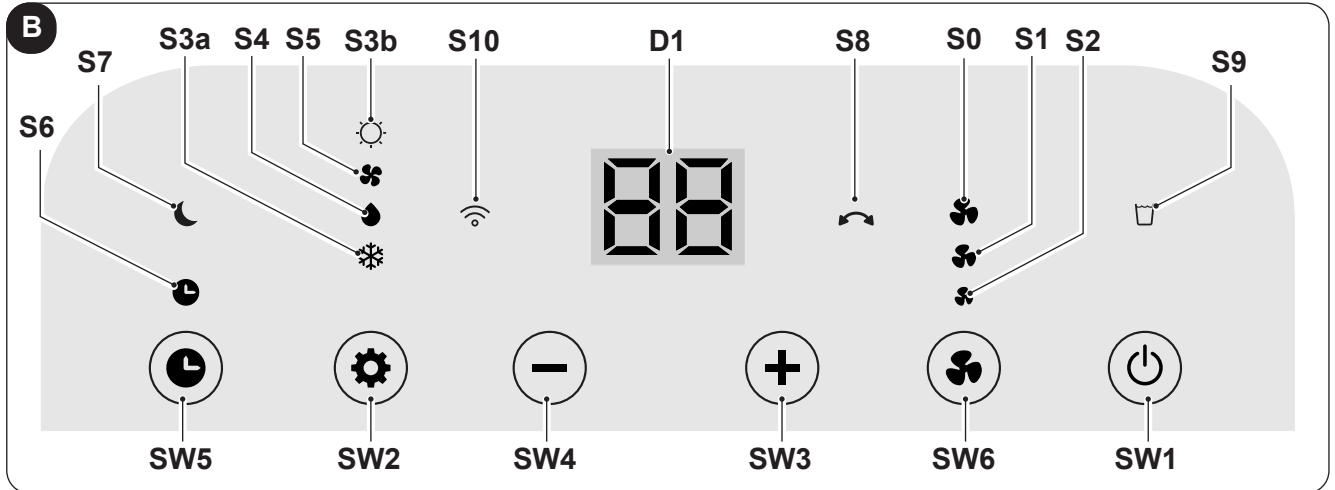
*Make sure the end of the discharge pipe (7) is positioned on a drain well or in a container.
Make sure the pipe (7) is not clogged.*

3 - USE OF THE APPLIANCE

The functioning modes of the air conditioner can be selected both through the remote control and through the control panel located on board of the air conditioner.

The reception of the selected function is confirmed by the emission of a “beep” by the buzzer.

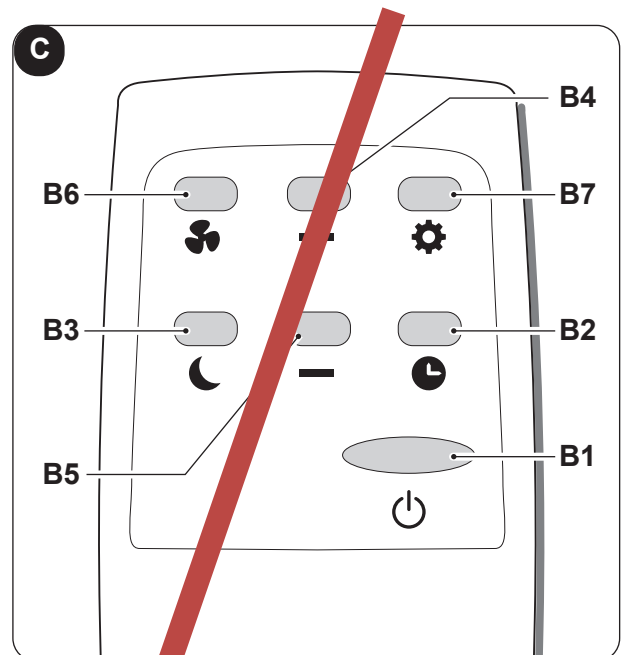
3.1 - CONTROL PANEL SYMBOLS AND KEYS (Fig.B)



- **SW1:** Running / Stand-by;
- **SW2:** Working mode selection
cooling =>
=> dehumidification =>
=> fan only =>
=> heating (active only in the version with heat pump)=>
=> cooling => ...
- **SW3:** Temperature/delay set increase;
- **SW4:** Temperature/delay set decrease;
- **SW5:** Timer mode;
- **SW6:** Fan mode / WiFi mode;
- **D1:** Set temperature/Timer
- **S0:** “High” fan speed LED;
- **S1:** “Medium” fan speed LED;
- **S2:** “Low” fan speed LED;
- **S3a:** Cooling mode LED;
- **S3b:** Heating mode LED (only in version with heat pump);
- **S4:** Dehumidification mode LED;
- **S5:** Fan mode LED;
- **S6:** Timer mode LED;
- **S7:** Sleep mode LED;
- **S8:** Swing LED;
- **S9:** Water tank full LED;
- **S10:** WiFi mode LED.

3.2 - REMOTE CONTROL KEYS (Fig.C)

- **B1:** ON/OFF key;
- **B2:** “Timer” key;
- **B3:** “Sleep” key;
- **B4:** Temperature increase/delay key;
- **B5:** Temperature decrease/delay key;
- **B6:** “Fan”; key
- **B7:** “Mode” key
cooling =>
=> dehumidification =>
=> fan only =>
=> heating (active only in the version with heat pump)=>
=> cooling => ...
- **B8:** “Sleep” key
- **B9:** “Swing” key

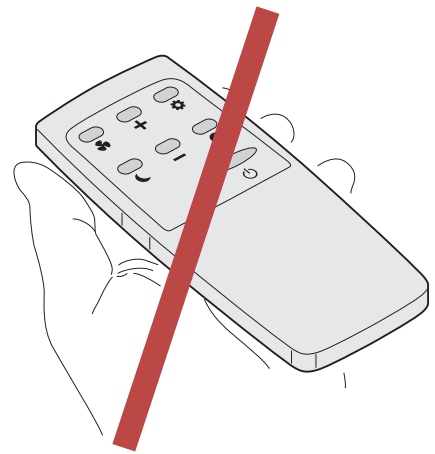


3.3 - USE OF THE REMOTE CONTROL

The remote control supplied with the air conditioner is the tool which allows you to use the appliance in the most comfortable manner.

It should be handled with care and in particular:

- Keep it dry (do not clean it with water or leave it outdoors in bad weather).
- Avoid dropping or bumping it.
- Keep it out of direct sunlight.



- **The remote control operates by means of an infrared beam.**
- **During use, there must not be any obstacle between the remote control and the air-conditioner.**
- **If other appliances in the room have remote controls (TV, stereo, etc...), there may be interference.**
- **Electronic and fluorescent lights may also interfere with transmissions between remote control and air-conditioner.**
- **Remove the batteries in case of prolonged disuse of the remote control.**

3.3.a - Installation of batteries

To insert the batteries correctly:

- Remove the batteries compartment cover (figure 14).
- Insert the batteries into the relevant compartment (figure 14).



Check the polarity indicated on the bottom of the compartment .

- Close the compartment correctly.

3.3.b - Replacement of batteries



Always use new batteries.

The use of old or different batteries could generate malfunctioning of the remote control.

The remote control uses two dry alkaline 1.5V batteries (AAA.) (Fig.14).



When replacing batteries, replace both and dispose of the dead batteries in the appropriate collection centres and as required by law.

- If the remote control is not used for several weeks or longer, remove the batteries.
Any leaks from the batteries could damage the remote control.



Do not re-charge or disassemble the batteries. Do not throw the batteries into the fire. They can burn and explode.

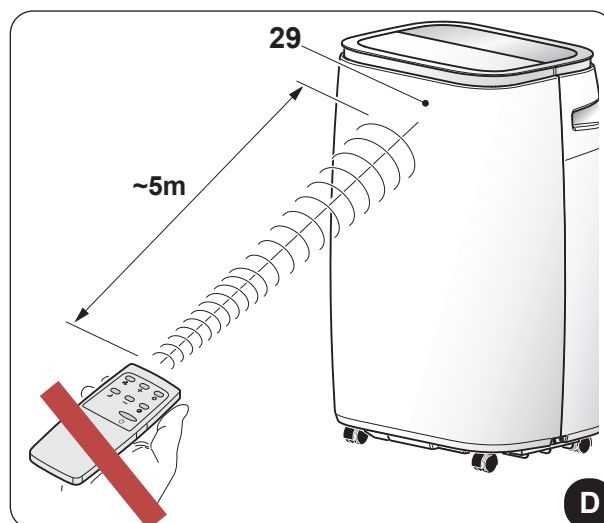


If the battery liquid falls onto the skin or clothes, wash well with clean water. Do not use the remote control with batteries that have leaked.

The chemical products contained in the batteries can cause burns or other risks to health.

3.3.c - Location of the remote control

- Keep the remote control in a position from which the signal can reach the receiver (29) of the appliance (maximum distance is approx. 16.5 feet - with charged batteries) (figure D). The presence of obstacles (furniture, curtains, walls, etc.) between the remote control and the appliance reduces the remote control range.



3.4 - USE OF THE APPLIANCE

Work as follows in order to use the appliance.



To prevent possible damages to the compressor, each start is delayed by 3 minutes with respect to the last switching off.

3.4.a - Preliminary operations



- **Place the appliance on a stable and not inclined base, at at least 20 in. from the wall or from any other object, in order to ensure the correct air circulation. Place it on a water-resistant surface since the possible water leakage could damage furniture or the floor.**
- **Do not place the appliance directly on carpets, towels, blankets or other absorbent surfaces.**
- **Insert the plug in the power socket; the appliance emits a “beep” and all the LEDs switch on for a few seconds, the appliance switches to stand-by mode.**



Before electrically connecting the appliance, make sure the plate data correspond to those of the electricity distribution network.

3.4.b - Appliance switching on/off

- The appliance can be switched ON or OFF for short periods by pressing B1 on the remote control or SW1 on the control panel (if the appliance is switched off for a long period then it should be deactivated by removing the plug from the mains supply).
- In case of prolonged stop of the appliance, it must be reset by removing the plug from the power socket, wait 5-10 seconds and then reinsert it; a beep signals that the appliance is ready for use.

To set the automatic switching on/off of the appliance, please refer to the paragraph “Timer Mode”.

3.5 - COOLING MODE (COOL)

- a. Using this mode, the appliance dehumidifies and cools the environment.
This mode can be selected by pressing B7 or SW2 until when the cooling LED (S3a) is activated on the control panel display.
- b. The temperature set-point (Set temperature) can be adjusted from 16°C to 31°C (61°F to 88°F) with 1°C (2°F) variations with B4/B5 or SW3/SW4 and the respective value appears on the display.
- c. Three minutes (maximum) after the activation of this operating mode the compressor starts and the appliance starts to distribute cold air.

3.6 - DEHUMIDIFICATION MODE (DRY)

- a. This mode can be selected by pressing B7 or SW2 until when the dehumidification LED (S4) is activated on the control panel display.
- b. In **DRY** mode, it is not possible to select the fan speed or to adjust temperature.
The fan motor works at low speed.
- c. Keep doors and windows closed to achieve the best dehumidifying effect.
Do not place the air outlet pipe out of a window.
- d. Connect the condensation discharge pipe (paragraph 2.5).

3.7 - FAN ONLY MODE (FAN)

- a. When this operating mode is used the appliance has no effect on the temperature or humidity of the environment, it merely circulates the air.
- b. This mode can be selected by pressing B7 or SW2 until when the ventilation LED (S5) is activated on the control panel display.
- c. In this operating mode, the internal fan is always on and it is possible to select the desired speed through the keys B6 or SW6; the respective LEDs "High" (S0), "Medium" (S1) or "Low" (S2) light up.

3.8 - HEATING MODE (HEAT)

- a. The appliance heats the environment in this mode.
This mode can be selected by pressing B7 or SW2 until when the heating LED (S3b) activates on the display of the control panel.
- b. The temperature set-point (Set temperature) can be adjusted from 16°C to 31°C (61°F to 88°F) with 1°C (2°F) variations with B4/B5 or SW3/SW4 and the respective value appears on the display.
- c. After three minutes (maximum) from the activation of this operating mode, the compressor activates and the appliance starts to supply heat.
- d. Connect the condensation discharge pipe (paragraph 2.5).

3.9 - SLEEP MODE

- **This function can be activated only from the remote control.**
 - **This function is not available while the Dehumidification (DRY) and Fan Only (FAN) modes are active.**
- a. This mode can be selected by pressing B9; the "Sleep mode" LED (S7) activates on the display of the control panel.
The appliance will decrease (when cooling) or increase (when heating) the set temperature by 1°C (1 or 2 F) for 30 minutes.
 - b. This temperature will be maintained for 7 hours before returning to the originally selected temperature.
Once this time has passed, the appliance will restart working as originally programmed.
 - c. To stop the function, press key (B9) on the remote controller; the LED (S7) switches off.

3.10 -TIMER MODE

This mode can be used to activate a delayed on/off timer of the appliance.

To activate the appliance DELAYED ON timer, work as follows:

- With the appliance in stand-by mode (with the power plug connected), press the keys B2 or SW5.
- When the LED S6 flashes, set the desired time value through the keys B4/B5 or SW3/SW4
(0h (Timer off) ---> 1h ---> 2h ---> .. 24h ---> 23h ---> 22h ---> .. 0h (Timer off) ---> ..).
- The LED S6 remains steady on.
- The appliance will switch on automatically when it reaches the previously set time.

To activate the appliance DELAYED OFF timer, work as follows:

- With the appliance switched on (LED S8 active), press the keys B2 or SW5.
- When the LED S6 flashes, set the desired time value through the keys B4/B5 or SW3/SW4
(0h (Timer off) ---> 1h ---> 2h ---> .. 24h ---> 23h ---> 22h ---> .. 0h (Timer off) ---> ..).
- The LED S6 remains steady on.
- The appliance will switch off automatically when it reaches the previously set time.

3.11 -SWING FUNCTION

- This function can be activated only from the remote control.

- When the appliance starts, the flap (23) opens completely.
- Press the key "SWING" (B8) on the remote control and the flap starts oscillating automatically.
- Press the key "SWING" (B8) to stop the flap in a certain position.
Press it again to restart oscillation.

3.12 -WIFI FUNCTION

- Press B6 or SW6 for approximately 5 seconds to activate the "Wifi" function, the LED (S10) starts to blink.



When the appliance connects with your smartphone, the LED (D8) stops blinking and remains switched on steadily on the display.



The instructions for connection to the WiFi network and for use of the App are available on www.olimpiasplendid.com in the download area.

4 - MAINTENANCE AND CLEANING



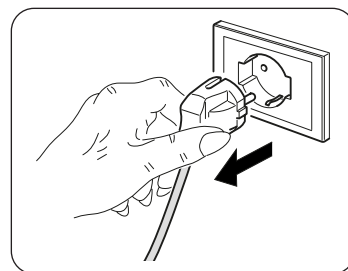
Before proceeding with any maintenance and cleaning intervention, always make sure you disconnected the power plug from the power socket.



**Do not touch the metal parts of the appliance when you remove the filter.
There is a risk of injury due to the sharp metal edges.**



**Do not use water to clean the internal parts of the air conditioner.
Exposure to water can ruin the isolation, with the risk of electric shocks.**



4.1 - CLEANING

4.1.a - Cleaning the appliance and the remote control

- Use a dry cloth to clean the appliance and the remote control.
- It is possible to use a cloth moistened with cold water to clean the appliance in case it's very dirty.



Do not use a chemically treated or antistatic cloth to clean the appliance.



Do not use gasoline, solvent, polish or similar solvents. These products could cause the breakage or deformation of the plastic surface.

4.1.b - Cleaning the suction filter

To ensure the indoor air is filtered correctly and to guarantee that your air conditioner runs efficiently, it is vital to clean the air filters regularly.



A dirty air filter reduces the cooling capacity of the appliance. Please clean the filter once every 2 weeks.

- Release the grille (27) together with the filter (27a) and raise it to remove it from the appliance (Fig.15).
- Remove the filter (27a) from the grille (27) (Fig.16).
- Clean the filter (27a) using a vacuum cleaner or wash it with water, then let it dry in a fresh environment.
- Suck possible fluff from the grille (Fig. 17).



If filter is damaged (27a) contact Olimpia Splendid for replacement.

- Make sure the filter (27a) has dried completely.
- Reposition the filter (27a) in the grille (27) paying attention to its correct positioning.
- Position the grille (27) together with the filter (27a) on the appliance body making sure it is correctly hooked (Fig.18).



Do not use the appliance without the filter (27a).

4.1.c - Recommendations for energy saving

Below find simple recommendations for reducing consumption:

- Always and constantly keep the filters clean (see maintenance and cleaning chapter).
- Keep the doors and windows of the rooms to be climate controlled closed.
- Do not let sun rays penetrate freely into the room (we recommend using curtains or lowering blinds or closing the shutters).
- Do not obstruct the air flow path (input and output) of the appliance; this, in addition to obtaining a non-optimal yield, also affects the correct operation of the appliance and the possibility of irreparable damages to the appliance itself.

4.2 - MAINTENANCE

If you do not intend to use the appliance for a long period of time, work as follows:

- Activate the fan only mode for a few hours (approximately 1-2 hours) to dry the interior of the appliance.
- Stop the air conditioner and disconnect the power supply.
- Clean the air filter.

- d. Completely discharge condensation.
- e. Wrap the power supply cable (34) around the cable winder (33) and insert the plug in the specific housing (31) (Fig.21).
- f. Remove the batteries from the remote control.
- g. Place the appliance in its original packaging and store it in a fresh and dry environment, away from direct exposure to sunlight.



Do not store the appliance in moist or particularly dirty environments.

Checks before resuming use of the air conditioner:

- a. Clean the filters after a long period of inactivity of the air conditioner.
- b. Check that the air outlet or inlet are not obstructed (especially after a long period of inactivity of the air conditioner).

4.2.a - Discharging condensation

When condensation water in the lower tray reaches the predetermined level, the appliance emits a beep and the LED (S9) lights up.

In this case:

- a. Disconnect the plug from the power socket.
- b. Carefully move the appliance in position suitable to unload water.
- c. Remove the drain cap (32) and the rubber cap (32a) (Fig.19).



Make sure you correctly tightened the drain cap (32) in order to avoid water leak.

- d. Make water unload completely.
- e. Reposition the rubber cap (32a) and screw the drain cap (32) (Fig.20).
- f. Insert the plug in the power socket.



If the error repeats, please contact an Assistance Centre.

5 - TECHNICAL DATA

For the technical data, please consult the data plate applied to the product (Fig.2).

6 - TROUBLESHOOTING

MALFUNCTION	CAUSE	WHAT DO I DO?
The appliance doesn't work.	No power. The plug has not been inserted.	Wait. Insert the plug in the power socket.
The appliance doesn't switch on.	LED S9 on ----- In COOLING mode: environment temperature is lower than the set temperature	The water collection tray is full. Switch off the appliance, unload water from the collection tray and then restart the appliance. ----- Reset temperature. >>>>>

MALFUNCTION	CAUSE	WHAT DO I DO?
The appliance doesn't switch on.	In HEATING mode: ambient temperature is higher than the set one.	Reset temperature.
The appliance only works for a small amount of time.	The temperature set is too close to ambient temperature. ----- Suction of outside air is obstructed.	Lower the temperature set. ----- Remove the obstructions. Call the Service Centre.
The appliance doesn't cool efficiently.	The air filters are clogged by dust, fluff or animal hair. ----- The drain pipe not connected or it is clogged. ----- The appliance has a low level of refrigerant. ----- Temperature setting is too high. ----- The windows or doors of the room are open. ----- The room area is too large. ----- Heat sources are present inside the room.	Switch off the appliance and clean the filters following the instructions. ----- Switch off the appliance, disconnect the pipe, remove the possible obstruction and reconnect the drain pipe. ----- Contact an assistance centre to have the appliance inspected and the refrigerant topped-up. ----- Reduce the set temperature. ----- Make sure all the windows and the doors are closed. ----- Check the cooling area again. ----- Remove the heat sources if possible.
The appliance is noisy and vibrates excessively.	The appliance bearing surface is not levelled. ----- The air filters are clogged by dust, fluff or animal hair.	Place the appliance on a flat and levelled surface. ----- Switch the appliance off and clean the filters following the instructions.
Water leaks from the conditioner during transport.	The conditioner has been tilted or laid flat.	Empty water before moving the appliance.
The display shows 'E0'.	Ambient temperature sensor faulty.	Call the Service Centre.
The display shows 'E1'.	Condenser temperature sensor faulty.	Call the Service Centre.
The display shows 'E2'.	Water reservoir full while cooling mode is active.	Empty the water reservoir as described in the respective paragraph.
The display shows 'E3'.	Evaporator temperature sensor faulty.	Call the Service Centre.
The display shows 'E4'.	Water reservoir full while heating mode is active.	Empty the water reservoir as described in the respective paragraph.

Do not try to repair the appliance by yourself.

If the problem has not been solved, please contact your local retailer or the closest assistance service. Supply detailed information about the malfunction and the equipment version.



OLIMPIA SPLENDID USA INC.
870 International Parkway, Suite 120,
Flower Mound, Texas 75022
Phone: (800) 408-5196