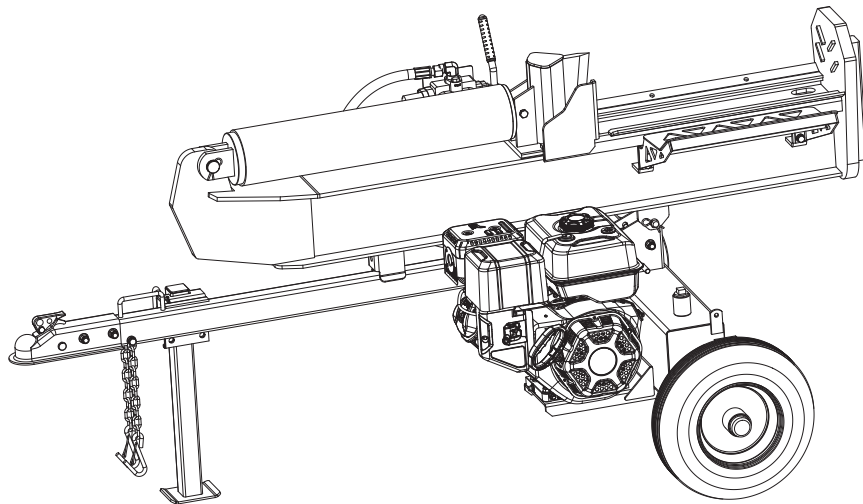




Champion Power Equipment, Inc.

**MODEL #201314**



## **PARTS INFORMATION**

**37-TON GAS POWERED LOG SPLITTER**

**SERIAL NUMBER RANGE: ALL**

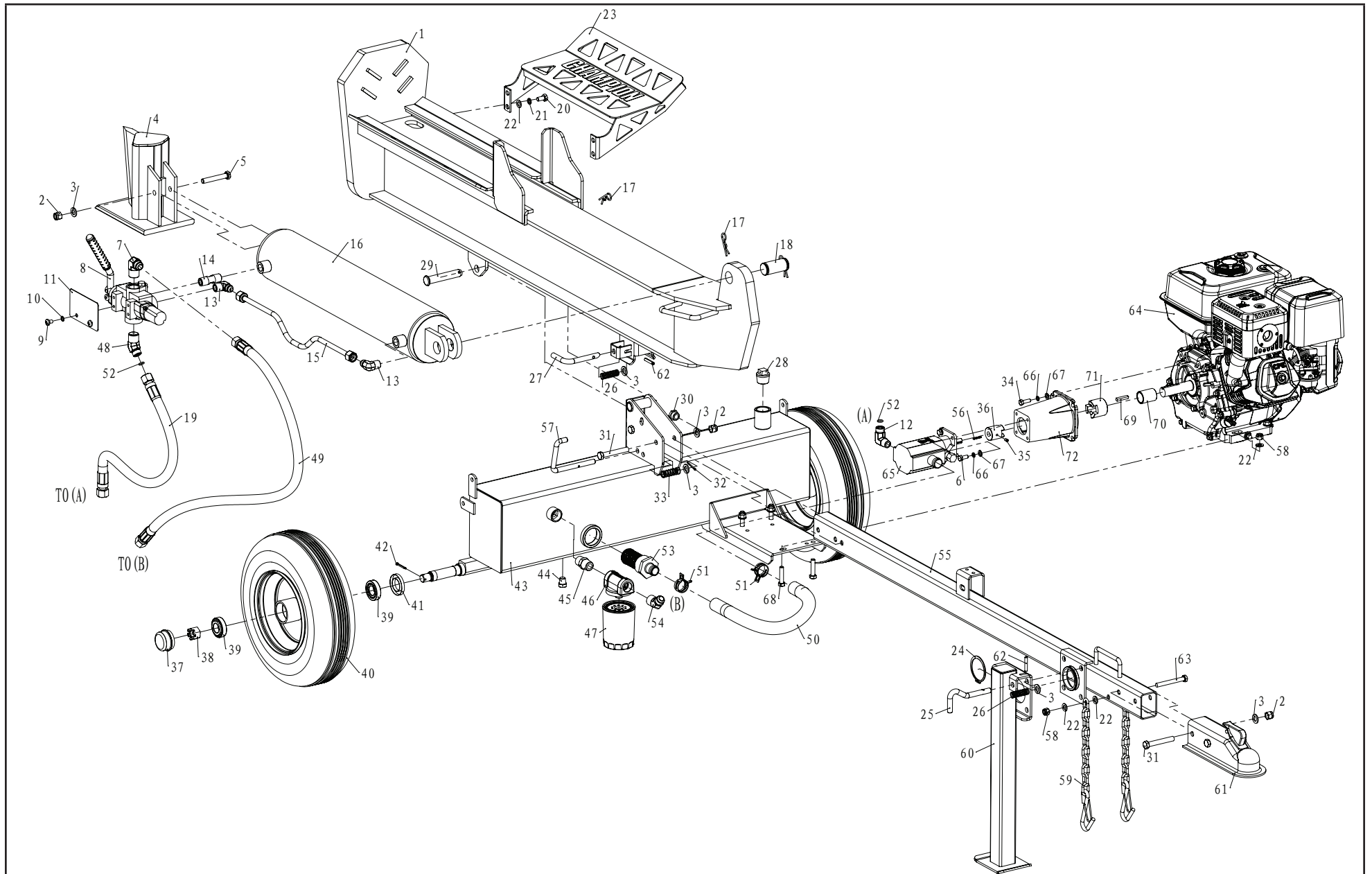


To order replacement parts please visit:  
**[shop.championpowerequipment.com](http://shop.championpowerequipment.com)**  
or call **1-877-338-0999**.

## **TABLE OF CONTENTS**

|  |          |
|--|----------|
| <b>Log Splitter Parts Diagram.....</b> | <b>3</b> |
| <b>Log Splitter Parts List.....</b>    | <b>4</b> |
| <b>Engine Parts Diagram.....</b>       | <b>6</b> |
| <b>Engine Parts List.....</b>          | <b>7</b> |

# LOG SPLITTER PARTS DIAGRAM



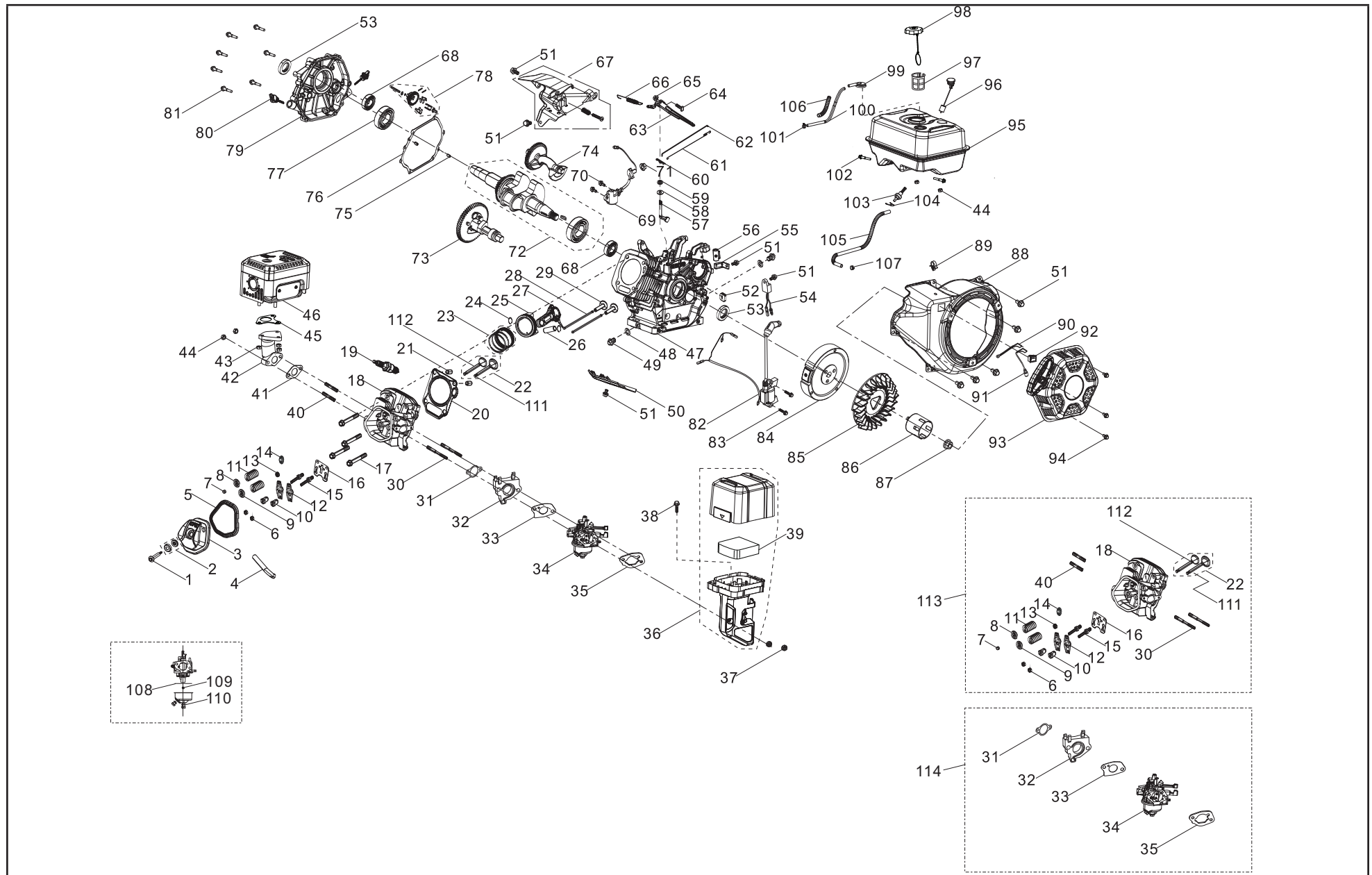
## LOG SPLITTER PARTS LIST

| #  | Part Number       | Description                    | Qty. |
|----|-------------------|--------------------------------|------|
| 1  | PMJ37E-01-00      | Beam                           | 1    |
| 2  | G889.1-2000-M12   | Lock Nut M12                   | 5    |
| 3  | G95-2000-12       | Washer Ø12                     | 8    |
| 4  | PMJ25E-02-00      | Wedge Slide                    | 1    |
| 5  | G5782-2000-M12-75 | Bolt M12x75(12.9)              | 1    |
| 6  | G5783-2000-M8-20  | Bolt M8x20                     | 4    |
| 7  | PMJ25Y-23         | JIC Connector, 90 Degree       | 1    |
| 8  | PMJ25E-12         | Control Valve                  | 1    |
| 9  | G818-2000-M8-12   | Bolt M8x12                     | 2    |
| 10 | G859-1987-8       | Washer Ø8                      | 2    |
| 11 | PMJ22J-19         | Plate                          | 1    |
| 12 | PMJ25M-16         | Outlet Connector Of Pump       | 1    |
| 13 | PMJ25M-29         | Right Angle Joiner             | 2    |
| 14 | PMJ22M-22         | Valve Joiner                   | 1    |
| 15 | PMJ37M-28         | Hydraulic Hose(Valve-Cylinder) | 1    |
| 16 | PMJ37M-08-00      | Cylinder                       | 1    |
| 17 | GJY12-3           | R Pin                          | 3    |
| 18 | PMJ37N-13         | Wedge Pin                      | 1    |
| 19 | PMJ25M-15A        | Hydraulic Hose(Valve-Pump)     | 1    |
| 20 | G5783-2000-M10-20 | Bolt M10x20                    | 4    |
| 21 | G93-1987-10       | Lock Washer Ø10                | 4    |
| 22 | G95-2000-10       | Washer Ø10                     | 12   |
| 23 | PMJ25M-36-00      | Log Catcher Assembly           | 1    |
| 24 | G894.1-86-63      | Circlip Ø63                    | 1    |
| 25 | PMJ25Y-16         | Support Leg Lock Pin           | 1    |
| 26 | PMJ25Y-18         | Spring For Lock Pin            | 2    |
| 27 | PMJ25Y-14         | Horizontal Lock Pin            | 1    |
| 28 | PMJ22G-18         | Screw NPT 1 in.                | 1    |
| 29 | PMJ25Y-19         | Pin                            | 1    |
| 30 | G1160.2-89        | Oil Scale                      | 1    |

| #  | Part Number                | Description                     | Qty. |
|----|----------------------------|---------------------------------|------|
| 31 | G5782-2000-M12-80          | Bolt M12x80                     | 4    |
| 32 | G95-2000-3.2-14            | Cotter Pin 3.2x14               | 1    |
| 33 | PMJ25Y-17                  | Spring For Vertical Lock Pin    | 1    |
| 34 | ASME-B18.2.1-1996-516-24-1 | Bolt 5/16 in.-24x1 in.          | 4    |
| 35 | G77-2000-M6-10             | Screw M6x10                     | 1    |
| 36 | PMJ22G-26                  | Gear Pump Connector             | 1    |
| 37 | PMJ22J-05-02               | Axle Cap                        | 2    |
| 38 | G9459-1988-M20-1.5         | Slotted Nut M20x1.5             | 2    |
| 39 | L44634 LYC DS              | Tapered Bearing                 | 4    |
| 40 | PMJ22D-05-03               | Wheel                           | 2    |
| 41 | PMJ22J-05-01               | Cased Seal                      | 2    |
| 42 | G91-2000-4-32              | Cotter Pin Ø4x32                | 2    |
| 43 | PMJ27B-04-00               | Oil Tank                        | 1    |
| 44 | PMJ22G-19                  | Oil Plug                        | 1    |
| 45 | PMJ22Q-23                  | Through Joint                   | 1    |
| 46 | PMJ25M-20-00               | Auto Filter Base                | 1    |
| 47 | PMJ22G-52                  | Auto Filter                     | 1    |
| 48 | PMJ20J-17                  | Filter Housing "OUT" Connection | 1    |
| 49 | PMJ25Y-22                  | Hydraulic Hose(Valve-Oil Tank)  | 1    |
| 50 | PMJ25M-17                  | Oil Pipe                        | 1    |
| 51 | PMJ25Y-38                  | Clamp d30                       | 2    |
| 52 | G3452.1-92-10-2.65         | "O" Ring Ø10x2.65               | 2    |
| 53 | PMJ22Q-20A                 | Internal Oil Filter             | 1    |
| 54 | PMJ25Y-24                  | JIC Connector, 135 Degree       | 1    |
| 55 | PMJ37G-03-00               | Base Tube                       | 1    |
| 56 | G1096-1979-3.18-25.4       | Flat Key 3.18x25.4              | 1    |
| 57 | PMJ25Y-15                  | Vertical Lock Pin               | 1    |
| 58 | G889.1-2000-M10            | Lock Nut M10                    | 5    |
| 59 | PMJ25M-18-00               | Safety Chain With Hook          | 2    |
| 60 | PMJ25Y-07-00               | Front Support Leg               | 1    |

| #  | Part Number       | Description                  | Qty. |
|----|-------------------|------------------------------|------|
| 61 | PMJ22G-40         | 2-in. Coupler                | 1    |
| 62 | G879.2-2000-6-40  | Elastic Cylindrical Pin 6x40 | 2    |
| 63 | G5782-2000-M10-85 | Bolt M10x85                  | 1    |
| 64 | R338P-E00DYF      | Engine                       | 1    |
| 65 | PMJ35-10          | Gear Pump                    | 1    |
| 66 | G93-1987-8        | Lock Washer Ø8               | 8    |
| 67 | G95-2000-8        | Washer Ø8                    | 8    |
| 68 | G5780-2000-M10-45 | Bolt M10x45                  | 4    |
| 69 | PMJ30-32          | Flat Key 6.3 x 6.3 x 35      | 1    |
| 70 | PMJ30-29          | Engine Bushing               | 1    |
| 71 | PMJ30-28          | Engine Connector             | 1    |
| 72 | PMJ30-23          | Gear Pump Stand              | 1    |

# ENGINE PARTS DIAGRAM



**ENGINE PARTS LIST**

| #  | Part Number  | Description  | Qty. |
|----|--------------|--|------|
| 1  | 12032-000001 | Cylinder Head Bolt, White Zinc                     | 1    |
| 2  | 12034-000001 | Cylinder Head Cover Gasket Subassembly, White Zinc | 1    |
| 3  | 12410-000010 | Cylinder Head Cover Subassembly, White Zinc        | 1    |
| 4  | 17004-000013 | Tube, Breather, Ø10.5 x Ø15 x 110                  | 1    |
| 5  | 12004-000003 | Cylinder Head Cover Gasket                         | 1    |
| 6  | 14312-000001 | Valve Lock Nut                                     | 2    |
| 7  | 12104-000002 | Valve Rotator                                      | 1    |
| 8  | 12107-000002 | Exhaust Valve Retainer                             | 1    |
| 9  | 12112-000001 | Valve Spring Set                                   | 1    |
| 10 | 14314-000001 | Valve Adjusting Nut                                | 2    |
| 11 | 12103-000002 | Valve Spring                                       | 2    |
| 12 | 14311-000002 | Valve Rocker                                       | 2    |
| 13 | 12101-000002 | Seal Guide   | 1    |
| 14 | 12105-000001 | Valve Spring Retainer                              | 1    |
| 15 | 14313-000001 | Valve Adjusting Bolt                               | 2    |
| 16 | 14090-000002 | Lifter Stopper Plate Subassembly, White Zinc       | 1    |
| 17 | 12003-000004 | Cylinder Head Bolt, M10 x 80, White Zinc           | 4    |
| 18 | 12140-000013 | Cylinder Head Subassembly                          | 1    |
| 19 | 30010-000001 | Spark Plug   | 1    |
| 20 | 12131-000010 | Cylinder Head Gasket                               | 1    |
| 21 | 90502-000008 | Pin, 12 x 20                                       | 2    |
| 22 | 12110-000006 | Valve Set  | 1    |
| 23 | 13200-000010 | Piston Ring Assembly                               | 1    |
| 24 | 13122-000002 | Piston Pin Clip                                    | 2    |
| 25 | 13111-000011 | Piston   | 1    |
| 26 | 13121-000004 | Piston Pin, Ø20 x Ø62                              | 1    |
| 27 | 13010-000003 | Connecting Rod                                     | 1    |
| 28 | 14070-000003 | Valve Lifter Assembly                              | 2    |
| 29 | 14081-000003 | Valve Tappet                                       | 2    |

| #  | Part Number  | Description                                 | Qty. |
|----|--------------|---|------|
| 30 | 90204-000008 | Stud, M6/8 x 135, Black Zinc                | 2    |
| 31 | 17002-000005 | Inlet Gasket                                | 1    |
| 32 | 16003-000006 | Carburetor Insulator Plate                  | 1    |
| 33 | 16001-000003 | Carburetor Gasket                           | 1    |
| 34 | 16100-000047 | Carburetor Assembly                         | 1    |
| 35 | 17001-000005 | Air Cleaner Gasket                          | 1    |
| 36 | 17100-000026 | Air Cleaner                                 | 1    |
| 37 | 90305-000008 | Hexagon Flange Nut, M6, Black Zinc          | 2    |
| 38 | 90007-000017 | Hexagon Flange Bolt, M6 x 30, White Zinc    | 1    |
| 39 | 17151-000011 | Air Cleaner Foam Element, 153×127×18        | 1    |
| 40 | 90204-000009 | Stud, M8 x 54, Black Zinc                   | 2    |
| 41 | 18001-000004 | Exhaust Gasket                              | 1    |
| 42 | 18150-000003 | Exhaust Pipe                                | 1    |
| 43 | 90305-000012 | Hexagon Flange Nut, M6                      | 3    |
| 44 | 90305-000010 | Hexagon Flange Nut, M8, White Zinc          | 4    |
| 45 | 18101-000002 | Muffler Gasket                              | 1    |
| 46 | 18100-000033 | Muffler Assembly                            | 1    |
| 47 | 11310-000019 | Crankcase Subassembly                       | 1    |
| 48 | 90412-000003 | Washer, Ø12 x Ø21 x 2                       | 2    |
| 49 | 11007-000003 | Drain Plug Bolt, M12 x 1.5 x 18, White Zinc | 2    |
| 50 | 19304-000005 | Cylinder Body Shroud, White Zinc            | 1    |
| 51 | 90001-000018 | Hexagon Flange Bolt, M6 x 12, White Zinc    | 10   |
| 52 | 28101-000001 | Rubber Plug                                 | 1    |
| 53 | 90682-000011 | Oil Seal, Ø35 x Ø52 x 7                     | 2    |
| 54 | 37050-000002 | Oil Protector, White Zinc                   | 1    |
| 55 | 51124-000013 | Mounting Bracket                            | 1    |
| 56 | 90684-000009 | Clip  | 1    |
| 57 | 16061-000004 | Governor Arm                                | 1    |
| 58 | 90412-000004 | Washer, Ø8.4 x Ø19.5 x 0.8                  | 1    |
| 59 | 90682-000007 | Oil Seal, Ø8 x Ø14 x 4                      | 1    |

| #  | Part Number  | Description                                | Qty. |
|----|--------------|--|------|
| 60 | 90501-000005 | Pin, White Zinc                            | 1    |
| 61 | 16012-000003 | Throttle Valve Returning Spring            | 1    |
| 62 | 16062-000008 | Governor Rod, White Zinc                   | 1    |
| 63 | 16070-000002 | Governor Support Subassembly, White Zinc   | 1    |
| 64 | 16072-000001 | Governor Support Bolt, M6 x 21, White Zinc | 1    |
| 65 | 90305-000007 | Hexagon Flange Nut, M6, White Zinc         | 1    |
| 66 | 16063-000010 | Governor Spring, White Zinc                | 1    |
| 67 | 16520-000011 | Throttle Control Assembly, White Zinc      | 1    |
| 68 | 90548-000001 | Bearing                                    | 2    |
| 69 | 37060-000005 | Engine oil Sensor, W/O Nut                 | 1    |
| 70 | 90001-000022 | Hexagon Flange Bolt, M6 x 16, White Zinc   | 2    |
| 71 | 90305-000014 | Hexagon Flange Nut, M10, White Zinc        | 1    |
| 72 | 13300-000007 | Crankshaft Assembly                        | 1    |
| 73 | 14200-000004 | Camshaft Assembly                          | 1    |
| 74 | 13401-000002 | Balance Shaft                              | 1    |
| 75 | 90502-000002 | Pin, 8 x 12                                | 2    |
| 76 | 11001-000003 | Crankcase Gasket                           | 1    |
| 77 | 90547-000009 | Bearing                                    | 1    |
| 78 | 16400-000005 | Governor Gear Assembly                     | 1    |
| 79 | 11411-000004 | Crankcase Cover                            | 1    |
| 80 | 15010-000003 | Oil Dipstick Subassembly                   | 2    |
| 81 | 90001-000050 | Hexagon Flange Bolt, M8 x 40, White Zinc   | 7    |
| 82 | 30400-000026 | Ignition Coil                              | 1    |
| 83 | 90001-000028 | Hexagon Flange Bolt, M6 x 28, White Zinc   | 2    |
| 84 | 13510-000006 | Flywheel Subassembly                       | 1    |
| 85 | 19352-000007 | Impeller                                   | 1    |
| 86 | 28002-000006 | Starter Pulley, White Zinc                 | 1    |
| 87 | 13501-000002 | Flywheel Nut, M6 x 1.5, White Zinc         | 1    |
| 88 | 28110-000022 | Shroud                                     | 1    |
| 89 | 90684-000005 | Clip                                       | 1    |
| 90 | 35555-000004 | Switch Connector Grounding Wire            | 1    |
| 91 | 35541-000007 | Stop Engine Connecting Wire                | 1    |

| #   | Part Number       | Description                                 | Qty. |
|-----|-------------------|---|------|
| 92  | 35540-000004      | Stop Engine Switch Subassembly              | 1    |
| 93  | 28200-000026      | Recoil Starter Assembly                     | 1    |
| 94  | 90251-000001      | Bolt, M6 x 8, Black Zinc                    | 3    |
| 95  | 16620-000041      | Fuel Tank                                   | 1    |
| 96  | 37200-000017      | Fuel Gauge                                  | 1    |
| 97  | 16652-000012      | Fuel Strainer                               | 1    |
| 98  | 16730-000022      | Fuel Tank Cap                               | 1    |
| 99  | 15150-000005      | Valve, One Way                              | 1    |
| 100 | 16805-000014      | Rubber Hose, Air Cleaner, Ø4.5 x Ø8.5 x 320 | 1    |
| 101 | 90685-000012      | Clamp, Ø9 x 0.8 x 8, White Zinc             | 1    |
| 102 | 90001-000044      | Hexagon Flange Bolt, M8 x 25, White Zinc    | 2    |
| 103 | 16680-000004      | Fuel Tank Oil Outlet Subassembly            | 1    |
| 104 | 90740-000004      | Clamp                                       | 1    |
| 105 | 90686-000041      | Fuel Pipe, Ø4.5 x Ø8.5 x 240                | 1    |
| 106 | 30431-000016      | Rubber Jacket, Ø9.5 x Ø11 x 90, Black       | 1    |
| 107 | 90685-000002      | Clip  | 1    |
| 108 | 16112-000003      | Seal Ring, Float                            | 1    |
| 109 | 16161-000041      | Main Jet, Standard                          | 1    |
|     | 16161-000039      | Main Jet, Altitude 3000-6000 Feet           | 1    |
|     | 16161-000038      | Main Jet, Altitude 6000-8000 Feet           | 1    |
| 110 | 90681-000004      | Seal Ring                                   | 1    |
| 111 | 12111-000005      | Inlet Valve                                 | 1    |
| 112 | 12121-000006      | Exhaust Valve                               | 1    |
| 113 | 96003-Z12140-0007 | Cylinder Head Subassembly                   | 1    |
| 114 | 96003-Z16100-0006 | Carburetor Subassembly                      | 1    |