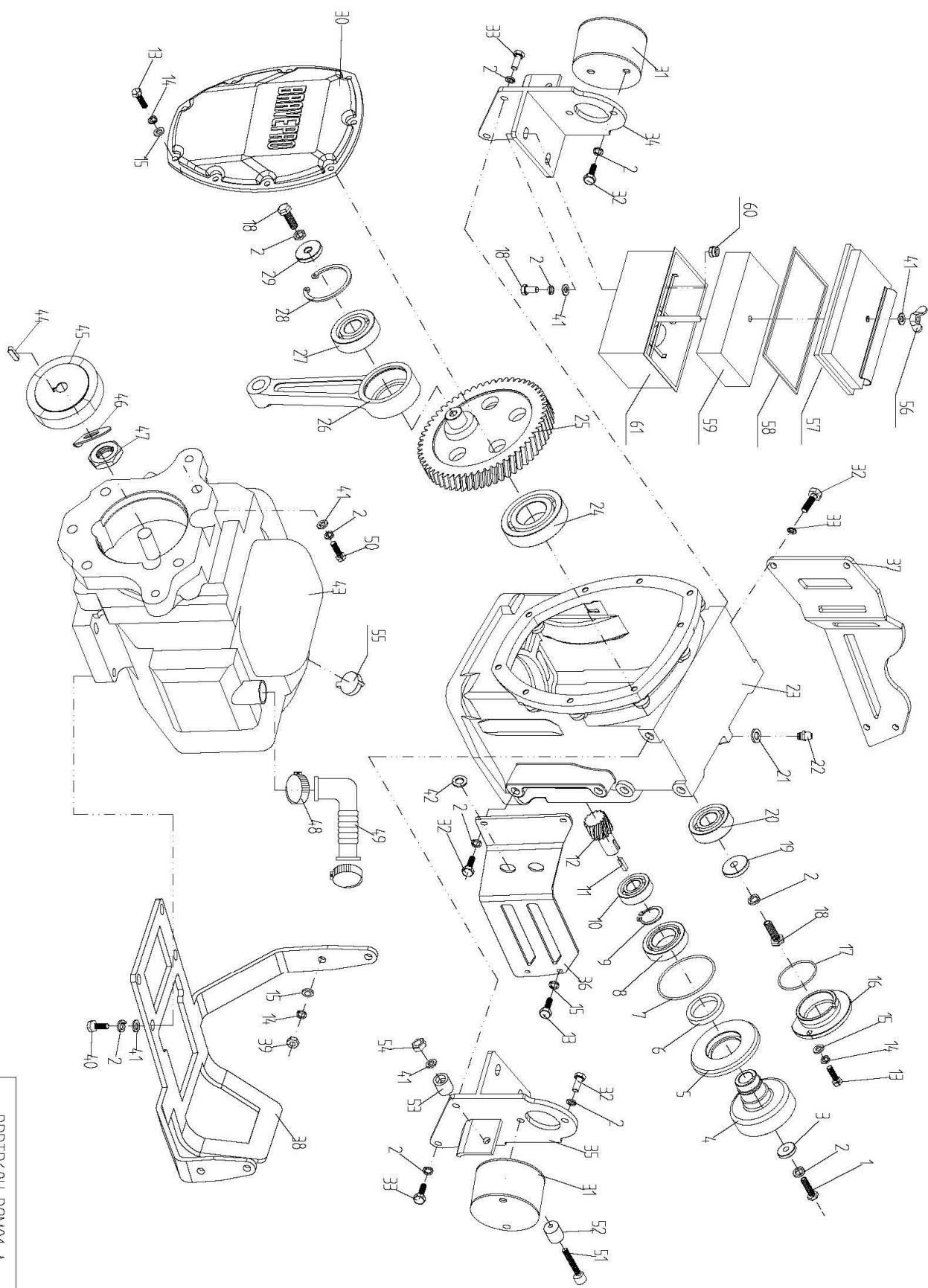


## BRPTR68H TAMPING RAMMER

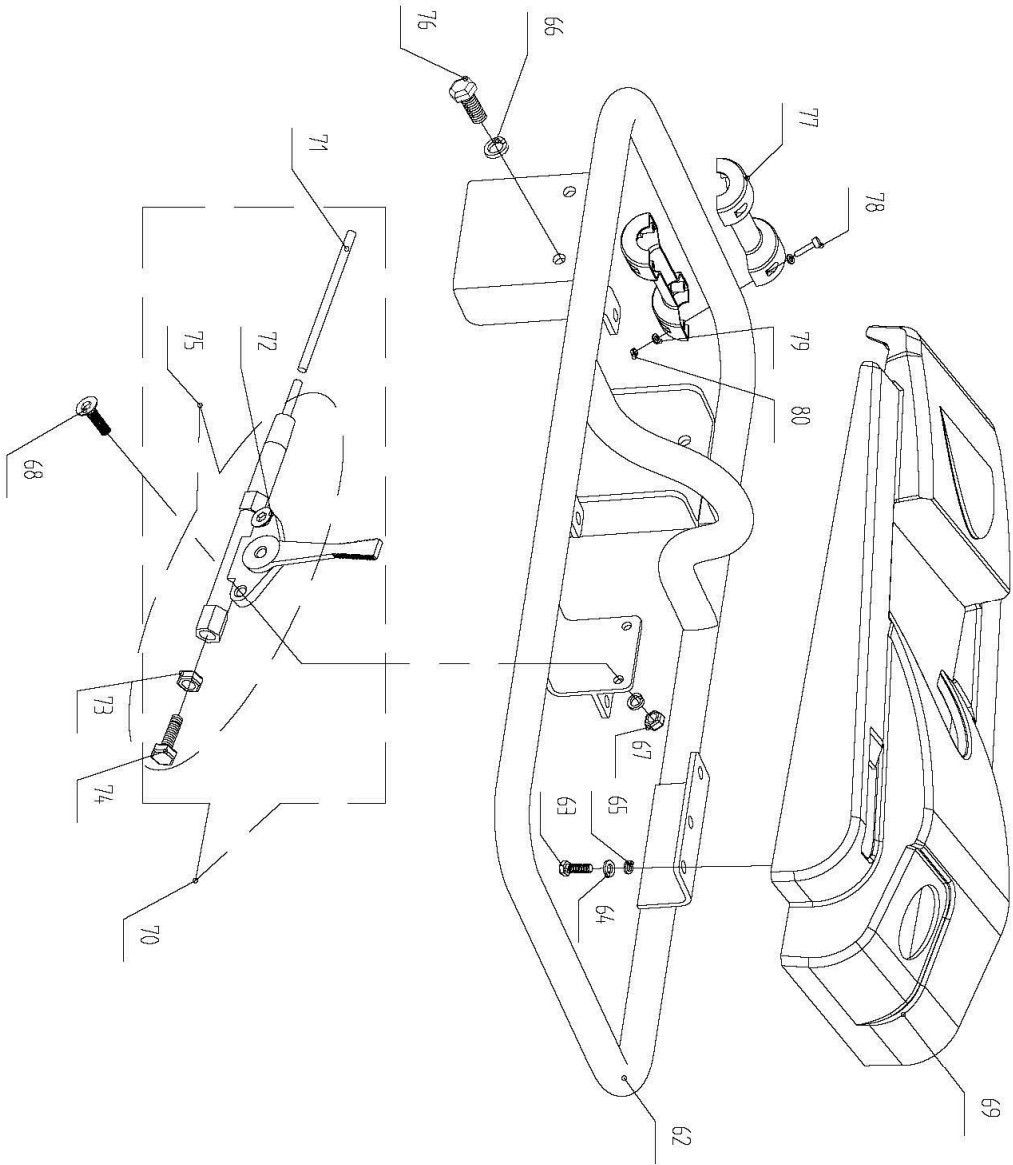




BRPTR68H-BOM01-A

ITEM NO.	PART NO.	DESCRIPTION	QTY	REMARK
1	BR20102105	BOLT M10X30-GB5783	1	
2	BR20509006	SPRING WASHER	29	
3	BR40504001	RETAINING RING	1	
4	BR40506001	CLUTCH DRUM	1	
5	BR40501001	SPACE	1	
6	BR21106002	SEAL 40X52X8-FB GB13871	1	
7	BR21101100	O-RING 95X3.1-GB3452.1	1	
8	BR21001006	BEARING 6007Z-NSK	1	
9	BR20601014	RETAINING RING	1	
10	BR21001014	BEARING 6204-NSK	1	
11	BR20901053	KEY	1	
12	BR40602001	GEAR SHAFT	1	
13	BR20102054	BOLT M6X20-GB5783	13	
14	BR20509004	SPRING WASHER	13	
15	BR20501005	FLAT WASHER	17	
16	BR40502001	BEARING COVER	1	
17	BR21101004	O-RING 43.7X1.8-GB3452.1	1	
18	BR20102102	BOLT M8X25-GB5783	6	
19	BR40504002	RETAINING RING	1	
20	BR21001059	BEARING 6204-GB276	1	
21	BR40504004	NYLON SPACER	1	
22	BR21110001	OIL CUP M6	1	
23	BR40901034	CRANK CASE	1	
24	BR21001062	BEARING 6207-GB276	1	
25	BR40601001	CRANK GEAR	1	
26	BR40407001	CONNECTING ROD	1	
27	BR21001016	BEARING 6204-NSK	1	
28	BR20602008	RETAINING RING 52-GB893.1	1	
29	BR40504003	RETAINING RING	1	
30	BR40903017	GEAR COVER	1	

ITEM NO.	PART NO.	DESCRIPTION	QTY	REMARK
31	BR41201002	VIBRATION DAMPER	2	
32	BR20102101	BOLT M8X20 GB5783	8	
33	BR20102105	BOLT M10X30-GB5783	6	
34	BR40207159	BRACKET, RIGHT	1	
35	BR40207158	BRACKET, LEFT	1	
36	BR40207016	PROTECTIVE FRAME,LEFT	1	
37	BR40207017	PROTECTIVE FRAME,RIGHT	1	
38	BR40207018	PROTECTIVE FRAME,REAR	1	
39	BR20405002	HEXAGONAL NUT M6	4	
40	BR20102102	BOLT M8X25-GB5783	4	
41	BR20501007	FLAT WASHER	13	
42	BR41404001	BUSHINGS 16	1	
43	GX100	ENGINE	1	
44	BR99	KEY	1	
45	BR50107004	CLUTCH ASSY.	1	
46	BR40504008	WASHER	1	
47	BR20407002	NUT M12 GB6173	1	
48	BR41406012	HOSE CLAMP 20-32	1	
49	BR41204010	INTAKE PIPE	1	
50	BR20102107	BOLT M8X40-GB5783	4	
51	BR20306107	HEX BOLT M8X45	2	
52	BR40406040	LIMITING COLUMN	2	
53	BR40406039	LIMITING COLUMN	2	
54	BR20401004	I TYPE NUT M8	2	
55	BR41403002	ON OFF SWTICH	1	
56	BR20422001	BUTTERFLY NUT	1	
57	BR40902002	AIR FILTER COVER	1	
58	BR41204003	SEAL	1	
59	BR41402005	AIR FILTER ELEMENT	1	
60	BR20405004	LOCK NUT	4	
61	BR40902001	AIR FILTER BOX	1	



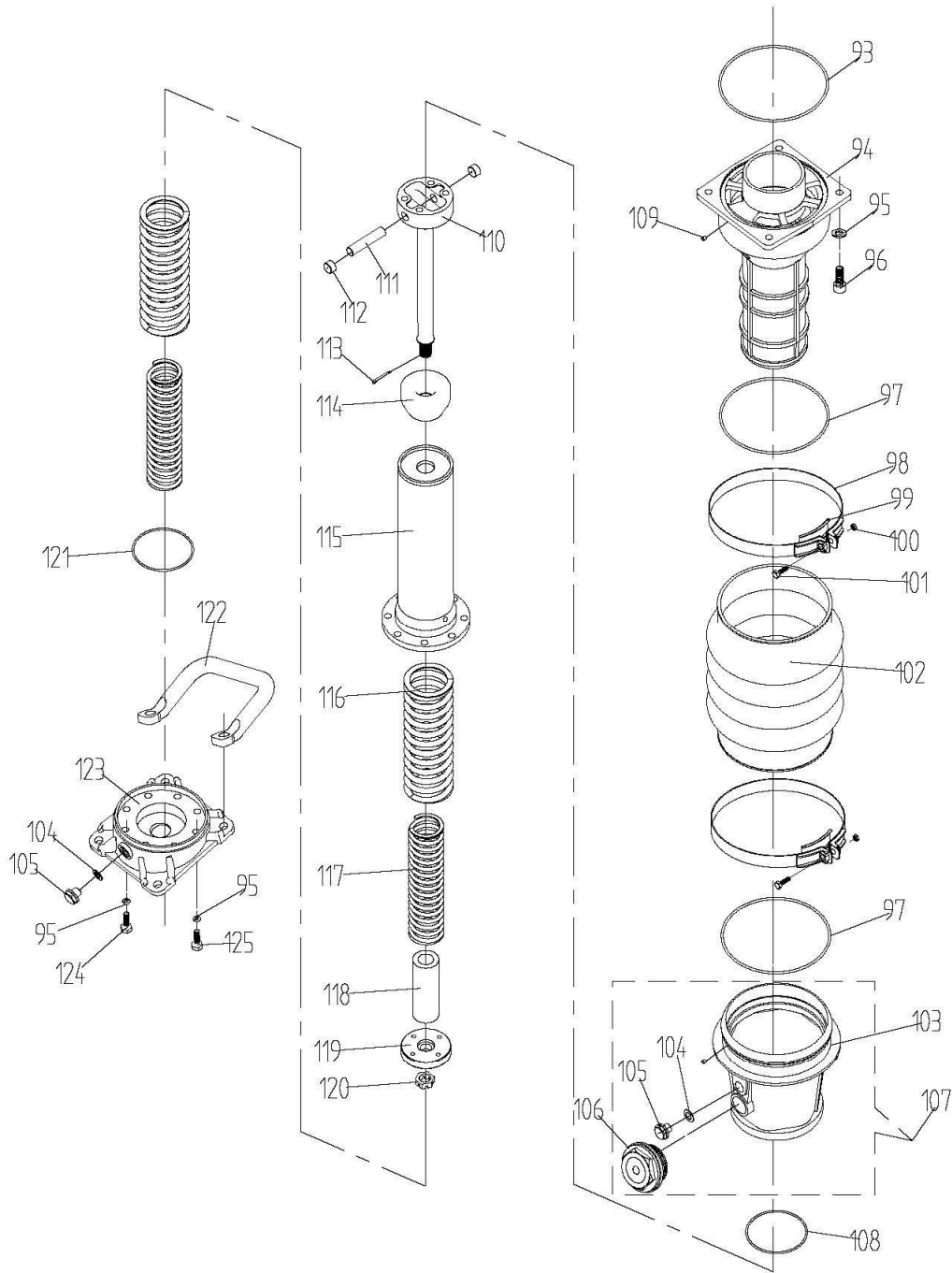
BRPTR68H-B0M02-A

ITEM NO.	PART NO.	DESCRIPTION	QTY	REMARK
62	BR50109002	HANDLE ASSY.	1	
63	BR20102053	BOLT M6×16	8	
64	BR20509004	SPRING WASHER	10	
65	BR20501005	FLAT WASHER	8	
66	BR20509006	SPRING WASHER	4	
67	BR20401003	HEXAGON NUT M6	2	
68	BR20308051	BOLT M6X16 GB70.3	2	
69	BR41205006	COVER	1	
70	BR41403004	FUEL SWITCH	1	
71	BR40101029	THROTTLE WIRE	1	
72	BR21302011	THROTTLE LEVER	1	
73	BR20401003	HEXAGON NUT M6	1	
74	BR20102056	BOLT	1	
75	BR50101013	THROTTLE ASSY.	1	
76	BR20102101	BOLT M8X20 GB5783	4	
77	BR41201043	IDLER WHEEL	2	
78	BR20306004	BOLT M5X16 GB97.1	4	
79	BR20501003	FLAT WASHER 5	8	
80	BR20405001	HEXAGONAL NUT M5 GB889.1	4	



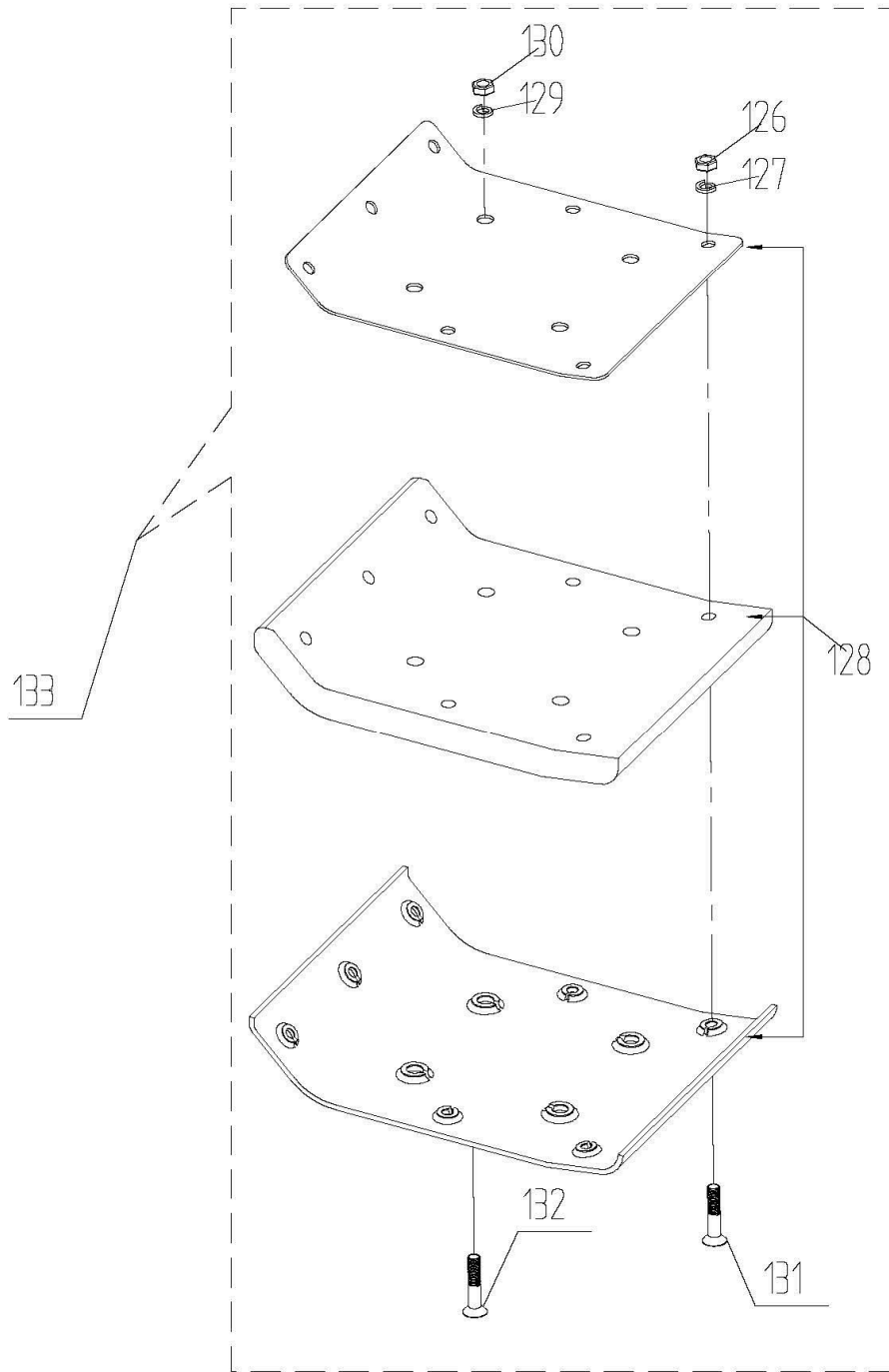
ITEM NO.	PART NO.	DESCRIPTION	QTY	REMARK
81	BR41206017	FUEL CAP	1	
82	BR41101001	CONNECTOR	1	
83	BR21101150	O-RING 14X3.55-GB3452.1	1	
84	BR41206029	FUEL TANK	1	
85	BR20501012	WASHER 14-GB97.1	1	
86	BR20407003	NUT M14X1.5-GB6173	1	
87	BR41206029	FUEL TANK	1	
88	BR41403001	FUEL COCK	1	
89	BR41406003	HOSE CLAMP	4	
90	BR41001112	FUEL HOSE	1	
91	BR41402006	OIL STRAINER	1	
92	BR41001113	FUEL HOSE	1	





BRPTR68H-BOM04-A

ITEM NO.	PART NO.	DESCRIPTION	QTY	REMARK
93	BR21101200	O-RING 160X5.3-GB3452.1	1	
94	BR40505001	GUIDE CYLINDER	1	
95	BR20509008	SPRING WASHER	12	
96	BR20102155	BOLT M10X35-GB5783	4	
97	BR21101153	O-RING 160X3.55-GB3452.1	2	
98	BR40101001	BELLOW CLAMP	2	
99	BR40102001	SCALEBOARD	2	
100	BR20401004	I TYPE NUT M8	2	
101	BR20102107	BOLT M8X40-GB5783	2	
102	BR41205092	BELLOW	1	
103	BR40505002	PROTECTION SLEEVE	1	
104	BR21105004	COPPER WASHER	2	
105	BR40401001	PLUG	2	
106	BR21110002	LEVEL GAUGE M24X1.5-GB1160.2	1	
107	BR50201012	PROTECTION SLEEVE COMPONENTS	1	107 (103~106) ,
108	BR21101055	O-RING 95X2.65-GB3452.1	1	
109	BR40402001	PIN	2	
110	BR40406001	PISTON ROD	1	
111	BR40402002	PISTON PIN	1	
112	BR41201038	PISTON END CAP	2	
113	BR20805050	PIN	1	
114	BR41202001	STOPPER, UPPER	1	
115	BR40505004	SPRING CYLINDER	1	
116	BR40103002	SPRING, OUTER	2	
117	BR40103001	SPRING, INNER	2	
118	BR41201040	STOPPER, LOWER	1	
119	BR40705001	PISTON END	1	
120	BR20410001	NUT M18X1.5-GB6178	1	
121	BR21101152	O-RING 87.5X3.55-GB3452.1	1	
122	BR41003002	DOWN HANDLE	1	
123	BR40804001	FOOT PLATE	1	
124	BR20306150	BOLT M10X20-GB70	4	
125	BR20306158	BOLT M10X40-GB70	4	



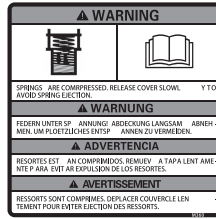
BRPTR68H-BOM05-A

ITEM NO.	PART NO.	DESCRIPTION	QTY	REMARK
126	BR20405006	HEXAGONAL NUT M10-GB889	7	
127	BR20509008	SPRING WASHER	7	
128	BR50201013	FOOT COMPONENTS	1	
129	BR20509009	SPRING WASHER	4	
130	BR20405007	HEXAGONAL NUT M12-GB889	4	
131	BR20103001	SCREW M10X52	7	
132	BR20103002	SCREW M12X70	4	
133	BR50201009	FOOT ASSY.	1	133 (126~132)

136

134

135



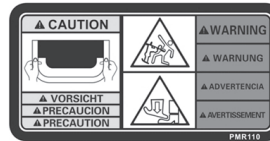
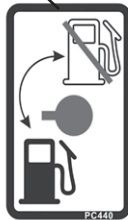
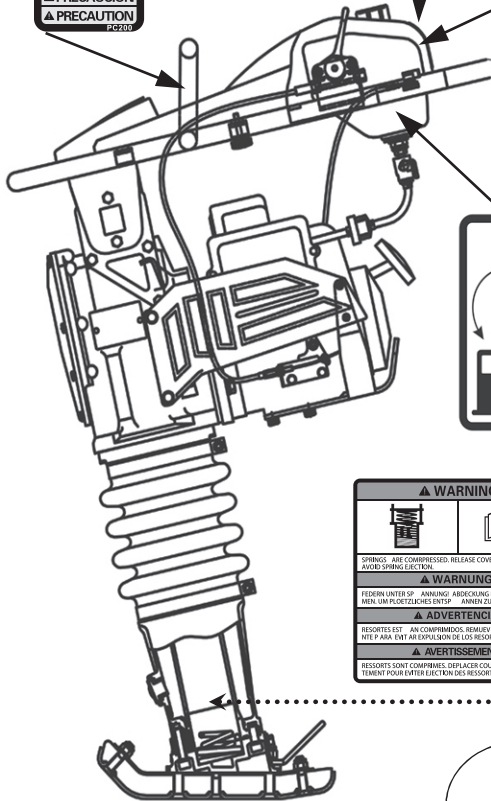
140



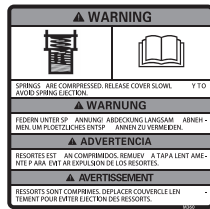
143

138

144



139



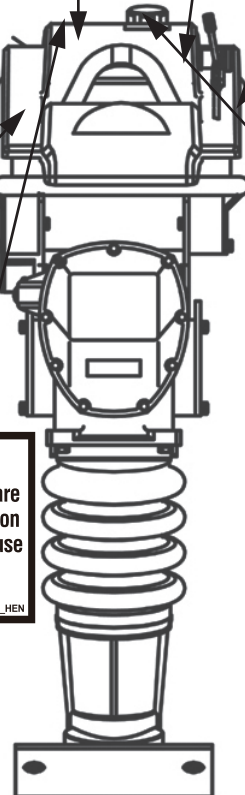
137

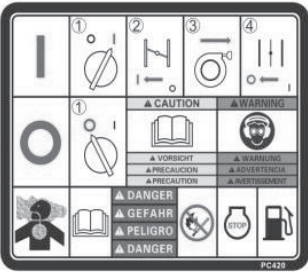



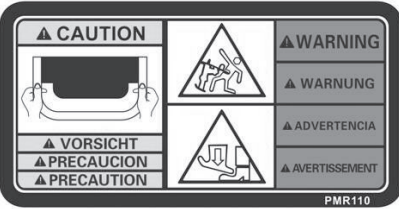
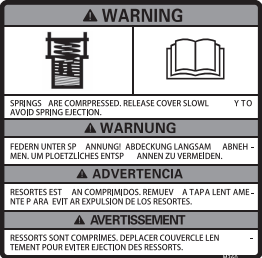





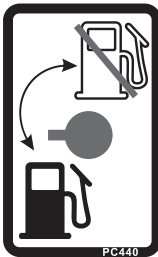

142

**WARNING:** This product can expose you to chemicals including soots, tars, and mineral oils, which are known to the State of California to cause cancer, and carbon monoxide, which is known to the State of California to cause birth defects or other reproductive harm. For more information go to [www.P65Warnings.ca.gov](http://www.P65Warnings.ca.gov).  
PN 784260\_HEN

141



Item No	ERP No	Label	Meaning
134	BR70701012		This model-in label contains important safety and operating information. If it becomes illegible, the cover must be replaced.
135	BR70701004		CAUTION! Lifting point.
136	BR70701013		CAUTION! Use only clean, filtered gasoline fuel.
137	BR70701009		WARNING! Hot surface!
138	BR70701100		CAUTION! For optimal control, performance, and minimal hand/arm vibration, grasp handle as shown.
139	BR70701252		WARNING! Serious injury if struck by compressed spring or cover. If the spring system cover is removed improperly, the springs can eject.

Item No	Part No	Label	Meaning
140	BR70701054		Guaranteed sound power level in dB(A).
141	BR70702103		WARNING! Fire hazard.
142	BR70702103		WARNING! Exposure hazard.
143	BR70701014		Fuel valve: Closed  Open
144	BR70701007		NOTICE! Throttle control lever: Turtle = Idle or Slow Rabbit = Full or Fast

# BRAVE

A brand of Great Northern Equipment Distributing, Inc.  
20195 South Diamond Lake Road, STE 100  
Rogers, MN 55374  
800-350-8739  
[www.braveproducts.com](http://www.braveproducts.com)