

BRAVEPRO

OPERATORS

MANUAL



HYDRAULIC REVERSIBLE PLATE

COMPACTOR

BRPRP210H & BRPRP220H

Table of Contents

1. SAFETY INFORMATION

1.1 Safety Precautions.....	2
1.2 Operating Safety.....	3-4
1.3 Operator Safety while using Internal Combustion Engines.....	4
1.4 Label Locations.....	5
1.5 Safety and Operating Labels.....	6-7

2. OPERATION

2.1 Controls.....	8
2.2 Operating Principle.....	9
2.3 Delivery Checks.....	9
2.4 Before Starting.....	9
2.5 To Start.....	10
2.6 To Stop.....	10
2.7 Application.....	10
2.8 Operation.....	11
2.9 Operation - Driving.....	11
2.10 Operation on Slope.....	11
2.11 How to Assemble Transport Wheel.....	12

3. MAINTENANCE

3.1 Periodic Maintenance Schedule.....	13
3.2 Exciter Oil.....	14
3.3 V-belt and clutch.....	14
3.4 Air Cleaner.....	15
3.5 Spark Plug.....	15
3.6 Transport.....	15
4.7 Trouble Shooting.....	16-28

4. TECHNICAL DATA..... 19-20

WARRANTY.....21

MAINTENANCE RECORD..... 22

EC DECLARATION.....23

SAFETY INFORMATION

1. SAFETY INFORMATION

1.1 Safety Precautions

Before operating the machine, read both the manual and the engine manual carefully to become familiar with the location and proper use of all controls. Do not allow untrained or unauthorized personnel, especially children, to operate the machine. Use only the parts authorized by the factory for service.

This manual contains DANGER, WARNING, CAUTION callouts which must be followed to reduce the possibility of personal injury, damage to the equipment, or improper service.



This is the safety alert symbol. It is used to alert you to potential personal injury hazards. Obey all safety messages that follow this symbol to avoid possible injury or death.



DANGER

DANGER indicates a hazardous situation which, if not avoided, will result in death or serious injury.



WARNING

WARNING indicates a hazardous situation which, if not avoided, could result in death or serious injury.



CAUTION

CAUTION indicates a hazardous situation which, if not avoided, could result in minor or moderate injury.

1.2 Operating Safety

- DO NOT modify the machine without the prior consent of the manufacturer. Brave does not assume responsibility for any accident due to equipment modification.
- NEVER operate the machine in purpose for which it is not intended.
- Slip/Trip/Fall is a major cause of serious injury or death. Beware of uneven or slippery work surface. Make sure of a firm stand when operating under such condition.
- USE care when working in the vicinity of unprotected holes or excavations.
- NEVER allow any person to operate the machine without adequate instruction.
- ENSURE all operators read, understand and follow the operation instructions.
- Serious injury could result from improper or careless use of the machine.
- Plate compactors are heavy units and should be positioned by two people of appropriate strength. Use the lifting handle provided with the machine, according to the correct lifting techniques.
- Plate Compactor may only be used for compaction jobs.
- DO NOT operate the machine unless all protective guards are in place.
- ENSURE that the engine switch is in OFF position and the spark plug ignition lead is disconnected before removing the guards or making adjustments.
- ENSURE both the machine and the operator are stable by setting up on level terrain and the machine will not tip over, slide or fall while in operation or unattended.
- DO NOT leave the machine in operation while it is unattended.
- DO NOT pull the machine backward with transportation wheels. It should only be pushed forward.
- ENSURE that the soil or subsoil to be compacted has enough load carrying capacity.
- ENSURE that the area to be compacted does not contain any "live" electrical cables, gas, water or communication services which may be damaged by the action of vibration.
- Exposure to vibration or repetitive work actions may be harmful to hands and arms.
- NEVER stand on the machine while it is operating.
- Be careful and DO NOT come in contact with the muffler when the engine is hot, it can cause severe burns.
- ENSURE that the repairs to the engine and machine are carried out by competent personnel.
- DO NOT use the machine near flammable material or in explosive environments.

SAFETY INFORMATION

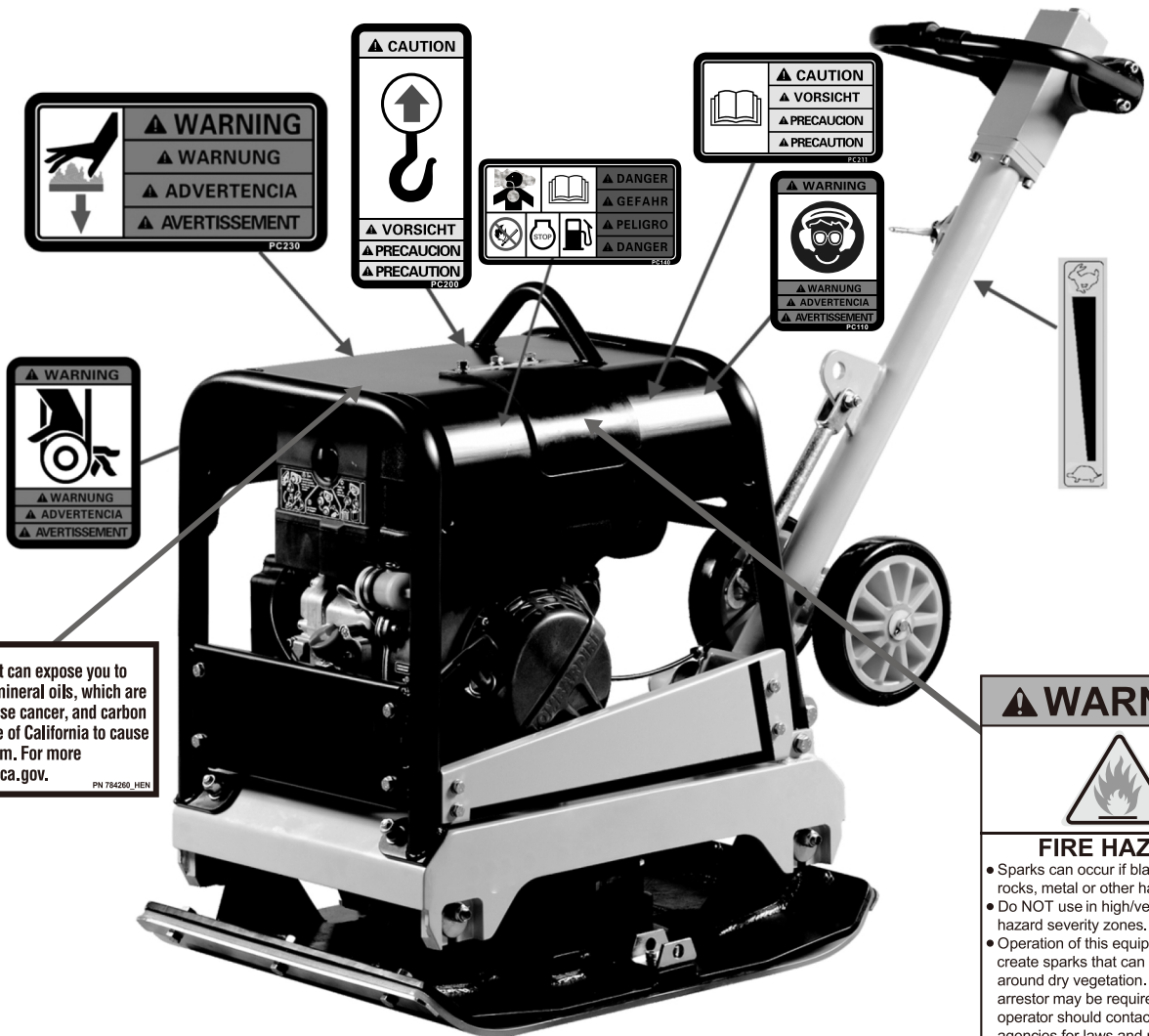
- Gasoline is extremely flammable and explosive under certain conditions.
- ENSURE that the gasoline is only stored in an approved storage container.
- DO NOT refuel the engine while it is in operation or hot.
- DO NOT operate or refuel the engine in a confined area without adequate ventilation.
- DO NOT refuel the engine in the vicinity of sparks, a naked flame or smoking.
- DO NOT overfill the fuel tank and avoid spilling gasoline when refueling. Spilled gasoline or gasoline vapor may ignite. If spillage occurs, ensure that the area is dry before starting the motor.
- ENSURE that the fuel tank cap is securely fitted after refueling.
- Carbon monoxide exhaust gases from engine driven units can cause death in confined spaces.
- ALWAYS wear an approved hearing protection. Excessive noise can lead to temporary or permanent loss of hearing.
- Protective goggles and a dust mask should be worn when working in a dusty environment. Protective clothing and footwear may also be desirable when working with hot mix bitumen.
- Store the machine properly in a clean, dry place.

1.3 Operator Safety while using Internal Combustion Engines

- DO NOT smoke when refueling the engine or operating the machine.
- DO NOT refuel a hot or running engine.
- ALWAYS keep away from all hot or spark-generating objects when refuel the engine.
- ALWAYS refill the fuel tank until the machine has cooled, and in a well-ventilated environments.
- DO NOT spill fuel when refueling the engine.
- ALWAYS take care to use the right type of fuel.
- ALWAYS inspect the fuel leakage regularly.
- NEVER perform any work on the machine while it is running. Before working on it, stop the engine and disconnect the spark plug wire to prevent accidental starting.
- Avoid prolonged breathing of exhaust gases.
- ALWAYS transport and handle fuel only when contained in approved safety containers.
- Avoid touch or lean against hot exhaust pipes.
- Allow engine to cool before performing any repairs or service.
- ALWAYS keep the area around the muffler free of debris such as leaves, paper, cartons, etc. A hot muffler could ignite the debris and start a fire.
- NEVER run the engine without air filter.

SAFETY INFORMATION

1.4 Label Locations



WARNING: This product can expose you to chemicals including soots, tars, and mineral oils, which are known to the State of California to cause cancer, and carbon monoxide, which is known to the State of California to cause birth defects or other reproductive harm. For more information go to www.P65Warnings.ca.gov.
PN 784200_HEN

WARNING



FIRE HAZARD

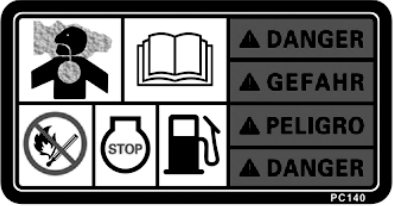

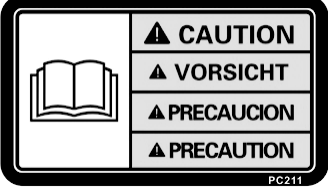


- Sparks can occur if blade/rotor strikes rocks, metal or other hard objects.
- Do NOT use in high/very high fire hazard severity zones.
- Operation of this equipment may create sparks that can start fires around dry vegetation. A spark arrestor may be required. The operator should contact local fire agencies for laws and regulations relating to fire prevention requirements.

PN 25001






SAFETY INFORMATION

1.5 Safety and Operating Labels

BravePro machines use international pictorial labels where needed. These labels are described below:

Label	Meaning
	<p>DANGER! Engines emit carbon monoxide; operate only in well-ventilate area. Read the Operator's Manual for machine information. No sparks, flames, or burning objects near the machine. Shut off the engine before refueling. Use only clean, filtered unleaded gasoline.</p>
	<p>WARNING! Always wear hearing and eye protection when operating this machine.</p>
	<p>CAUTION! Read and understand the supplied Operator's Manual before operating the machine. Failure to do so increase the risk of injury to yourself or others.</p>
	<p>CAUTION! Lifting point.</p>
	<p>WARNING! Hand injury if caught in moving belt. Always replace belt guard.</p>

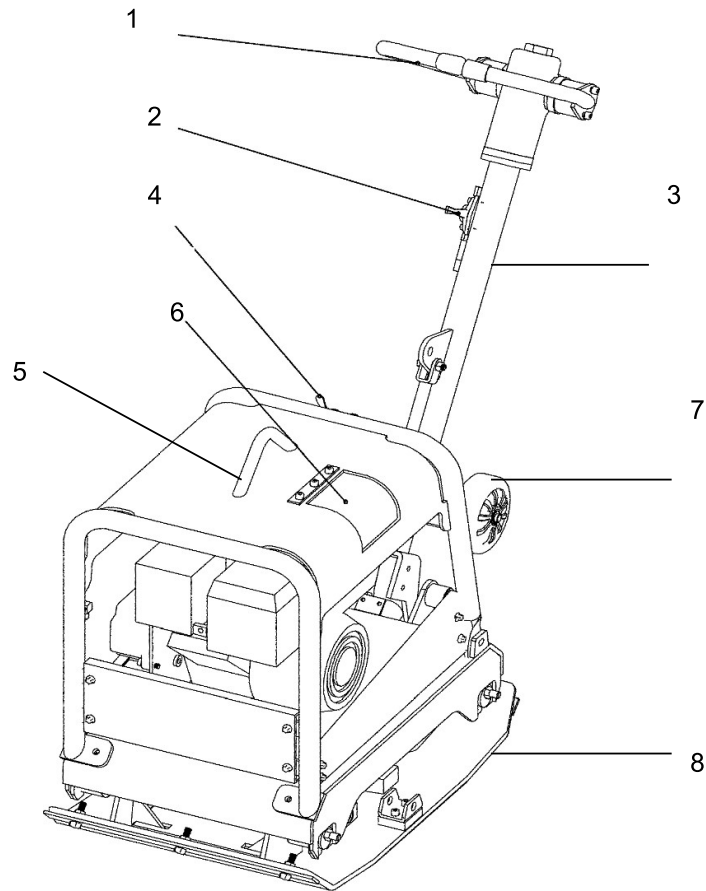
SAFETY INFORMATION

Label	Meaning
	<p>WARNING! Hot surface!</p>
	<p>NOTICE! Throttle control lever: Turtle=Idle or slow, Rabbit=Full or fast.</p>
	<p>A nameplate listing the model number and serial number is attached to each unit. Please record the information found on this plate so it will be available if the nameplate is lost or damaged. When requesting service information, the serial number should be specified of the unit.</p>
	<p>WARNING! Fire hazard.</p>
	<p>WARNING! Exposure hazard.</p>

OPERATION

2. OPERATION

2.1 Controls



Ref.	Description	Ref.	Description
1	Lever for Forward/Reverse Operation	5	Lifting Point
2	Throttle Control	6	Refueling
3	Handle	7	Transport Wheel
4	Locking Device	8	Base Plate

OPERATION

2.2 Operating Principle

The following instructions were compiled to provide you information on how to obtain long and trouble free use of the unit. Periodic maintenance of this unit is essential. Read the manual in its entirety and follow the instructions carefully. Failure to do so may injure yourself or a bystander.

2.3 Delivery Checks

Immediately on taking delivery of your new machine and before putting it into service;

- Read the operator manual completely—it could save a great deal of unnecessary expense.
- Read the engine manual supplied.
- Check the general condition of the equipment –has it been damaged during delivery?
- Check engine oil level.
- Check fuel levels.
- Check hydraulic fluid level

Recommended lubricants are detailed in the engine manual.

2.4 Before Starting

Before starting the machine, check the following items:

- All handles are free from grease, oil and dirt.
- All control levers are in the neutral position.
- All bolted joints are tightened.
- Fuel level.
- The tension in the V-belt.
- Oil level in the engine.
- The state of air filter..
- Hydraulic fluid level.

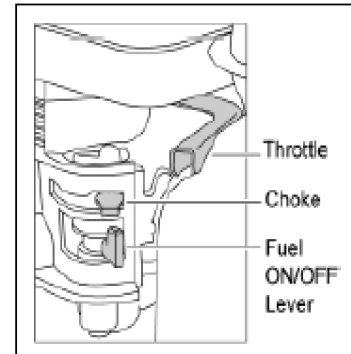
NOTICE: Check the oil level in the engine and exciter. The warranties are VOID if the machine is run without oil and/or hydraulic fluid.

OPERATION

2.5 To Start

2.5.1 Gasoline Engine

1. Open the fuel tap by moving the fuel ON/OFF lever fully to the right.
2. If starting the engine from cold, set the choke ON by moving the choke lever fully to the left. If restarting a warm engine, the choke is usually not required. However, if the engine has cooled to a degree, partial choke may be required.
3. Turn the engine ON/OFF switch clockwise to the "1" position.
4. Set the throttle to the idle position by moving the throttle lever fully to the right. Do not start the engine on full throttle, as the compactor will vibrate as soon as the engine starts.
5. Taking a firm hold of the control handle with one hand, grasp the recoil starter handle with the other. Pull the recoil starter until engine resistance is felt, then let starter return.
6. Taking care not to pull the starter's rope fully out, pull the starter handle briskly.
7. Repeat until the engine fires.
8. Once the engine fires, gradually set the choke lever to the OFF position by moving it to the right.
9. If the engine fails to fire after several attempts, follow the trouble-shooting guide on page 19.



2.6 To Stop

1. To stop the engine, set the throttle to idle and turn the engine ON /OFF switch counterclockwise to the "0" position.
2. Turn the fuel off.
3. Close the fuel valve.

2.7 Application

Trench compaction	Earthworks
Road maintenance	Landscaping
Brick paving	Driveway topping

OPERATION

2.8 Operation

Run engine at full throttle and allow plate to pull itself along at its normal speed. Depending on the material being compacted, three or four passes are recommended to achieve the best compaction.

The machine is best suited to the compaction of bituminous and granular materials e.g. granular soils such as silt and clay are best compacted using the impact force produced by a vibrating rammer. Where possible the site should be graded and leveled before commencing compaction.

Correct moisture content in soil is vital to proper compaction. Water acts as a lubricant to help slide soil particles together. Too little moisture means inadequate compaction; too much moisture leaves water-filled voids that weaken the soil's load-bearing ability. Compaction of dry materials will be facilitated by moistening with a water hose fitted with a sprinkler. Excessive watering or water content will cause the machine to stall.

The optional water tank kit is recommended when the machine is used on bituminous surfaces as the water film prevents a buildup of material on the underside of the plate.

2.9 Operation – Driving

1. Forward Operation:

Move the forward /reverse lever forwards.

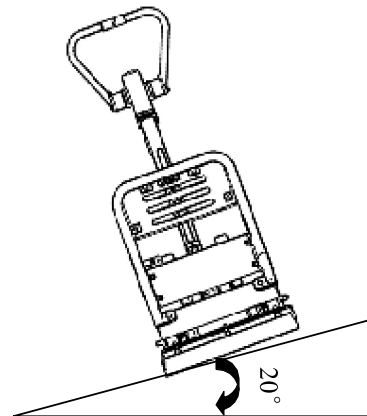
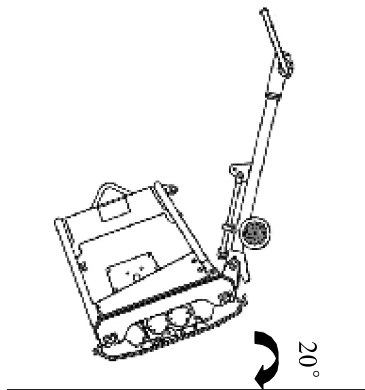
2. Reverse Operation:

Move the forward/reverse lever backwards.

2.10 Operation on Slope

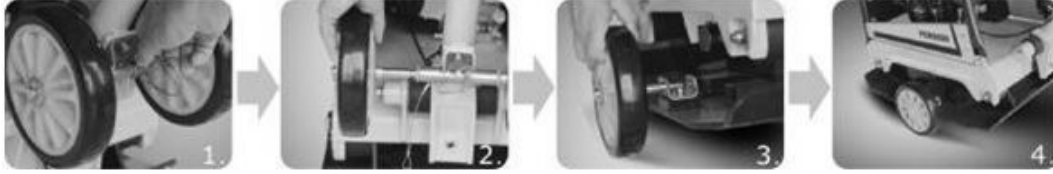
1. The operator must never stand in the direction of descent.
2. Must never exceed the Max. gradient of 20° .

Max. Admissible Inclination



OPERATION

2.11 How to Assemble Transport Wheel



Remove cotter pins
from wheel shafts.

Remove wheels.

Tilt plate forward,
fully inset wheels
in slots on each
side of plate.

Lower plate.

MAINTENANCE

3. MAINTENANCE

3.1 Periodic Maintenance Schedule

Refer to engine manufacturer's Operation Manual for additional information on engine maintenance. A copy of the engine Operation Manual was supplied with the machine.

	Daily	At first 20 hours	Every 50 hours	Every 100 hours	Every 250 hours	Every 500 hours	Every 1000 hours
Check oil level	●						
Check air filter	●						
Check for damage and leaks	●						
Change engine oil		●					
Clean air filter		●					
Check V-belt		●					
Clean cooling system			●				
Check exciter oil			●				
Check hydraulic oil lever				●			
Change exciter oil					●		
Change engine oil					●		
Change oil filter					●		
Check valve clearance					●		
Change fuel filter						●	
Change hydraulic fluid filter						●	
Change hydraulic oil							●



CAUTION

These inspection intervals are for operation under normal conditions. Adjust your inspection intervals based on the number hours plate compactor is in use, and particular working conditions.

MAINTENANCE

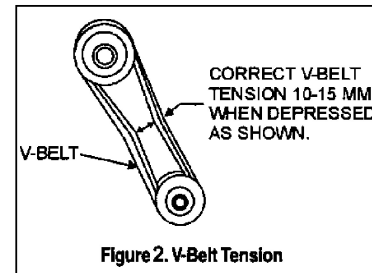
3.2 Exciter Oil

When changing the exciter oil, place the exciter on a flat, horizontal surface, remove the drain plug located at the bottom-right of the vibrator, and simply tip the compactor to drain the oil. Note that the oil will drain more easily while it is hot. DO NOT pour in too much oil.

3.3 V-belt and Clutch

3.3.1 Checking the V-belt

After 200 hours of operation, remove the upper belt cover to check the V-belt tension (Figure 2). Tension is proper if the belt bends about 10mm when depressed strongly with finger between shafts. Loose or worn V-belts reduces power transmission efficiency, causing weak compaction and reduces the life of the belt itself.



WARNING

NEVER attempt to check the V-belt with the engine is running. Severe injury can occur if your hand get caught between the V-belt and the clutch. Always use safety gloves.

3.3.2 Checking the Clutch

Check the clutch simultaneously with V-belt checking. With belt removed, check outer drum of the clutch for seizure and “V” groove for wear or damage. Clean the “V” groove as necessary. Wear of lining or shoe should be checked at this time. If the shoe is worn, power transmission becomes deficient and slipping will result.



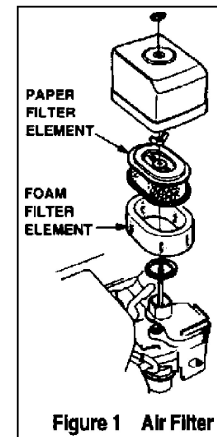
CAUTION

Whenever the compactor’s vibration becomes weak or lost during normal operation regardless of operation hours, check the V-belt and clutch immediately.

MAINTENANCE

3.4 Air Cleaner

1. The air filter element should be cleaned because a clogged air cleaner can cause poor engine starting, lack of power and shorten engine life substantially.
2. To clean or replace air filter loosen the wing nut on the air filter housing (Figure 1), remove the cover and take out air filter cartridge. If only cleaning of the air filter is desired blow through the air filter cartridge from the inside, moving a jet of dry compressed air up and down until all dust is removed.



3.5 Spark Plug

Check and clean spark plugs regularly. A fouled, dirty spark plug may cause hard starting and poor engine performance. Set spark plug gap to recommended clearance. Refer to engine manual.



WARNING

The muffler and engine cylinder become very hot during operation and remain hot for a while after stopping the engine. Allow engine to cool before removing spark plug.

NOTICE: A loose spark plug can become very hot and may cause engine damage.

3.6 Transport

1. Always shut off engine before transporting the machine.
2. Make sure lifting device has enough capacity to hold machine (see nameplate on machine for weight).
3. Use lifting point when lifting the machine.
4. NEVER stand underneath the machine while lifting.
5. Trolley wheel is used for short distance transportation.

MAINTENANCE

3.7 Troubleshooting

3.7.1 Machine Troubleshooting

SYMPTOM	POSSIBLE CAUSES	SOLUTION
It does not advance.	The V-belt slipping.	Adjust or change the V-belt.
	The clutch is slipping.	Check or change the clutch.
It vibrates, but does not move.	The vibrator maybe on a slippery surface.	Try on the right surface.
Travels reverse very slowly.	Air in the circuit.	Check and purge the circuit.
Travels forward very Slowly.	Too much hydraulic oil.	Drain the excess oil.

MAINTENANCE

3.7.2 Engine Troubleshooting

SYMPTOM	POSSIBLE CAUSE	SOLUTION
Difficult to start, "fuel is available, but no SPARK at spark plug".	Spark plug bridging.	Check gap, insulation or replace spark plug.
	Carbon deposit on spark plug.	Clean or replace spark plug.
	Short circuit due to deficient.	Check spark plug insulation, replace if worn.
	Improper spark plug gap.	Set to proper gap.
Difficult to start, "fuel is available, and SPARK is present at spark plug.	ON/OFF switch is shorted.	Check switch wiring. Replace switch.
	Ignition coil defective.	Replace ignition coil.
	Improper spark gap	Set correct spark gap
	Spark plug wire broken or short circuiting.	Replace defective spark plug wiring
Difficult to start, "fuel is available, SPARK is present and compression is normal.	Wrong fuel type.	Flush fuel system, and replace
	Water or dust in fuel system?	Flush fuel system.
	Air cleaner dirty.	Clean or replace air cleaner.
Difficult to start, fuel is available, spark is present and compression is low.	Suction/exhaust valve stuck or protruded?	Re-seat valves.
	Piston ring and/or cylinder worn.	Replace piston rings and or piston.
	Cylinder head and/or spark plug not tightened properly.	Torque cylinder head bolts and spark plug.
	Head gasket and/or spark plug gasket damaged.	Replace head and spark plug gaskets.

MAINTENANCE

SYMPTOM	POSSIBLE CAUSE	SOLUTION
No fuel present at carburetor.	Fuel not available in fuel tank.	Fill with correct type of fuel.
	Fuel cock does not open properly.	Apply lubricant to loosen fuel cock level, replace if necessary.
	Fuel filter clogged.	Replace fuel filter.
	Fuel tank cap breather-hole clogged.	Clean or replace fuel tank cap.
	Air in fuel line.	Bleed fuel line.
"Weak in power" compression is proper and does not misfire.	Air cleaner not clean.	Clean or replace air cleaner.
	Improper level in carburetor.	Check float adjustment, re-build carburetor.
	Defective spark plug.	Clean or replace spark plug.
"Weak in power" compression is proper but misfires.	Water in fuel system.	Flush fuel system, and replace with correct type of fuel.
	Dirty spark plug.	Clean or replace spark plug.
	Ignition coil defective.	Replace ignition coil.
Engine overheats.	Spark plug heat value improper.	Replace with correct type of spark plug.
	Incorrect type of fuel.	Replace with correct type of fuel.
	Cooling fins dirty.	Clean cooling fins.
Rotational speed fluctuates.	Governor adjusted correctly.	Adjust governor.
	Governor spring defective.	Replace governor spring.
	Fuel flow restricted.	Check entire fuel system for leaks or clogs.
Recoil starter malfunction.	Recoil mechanism clogged with dust and dirt.	Clean recoil assembly with soap and water.
	Spiral spring loose.	Replace spiral spring.

TECHNICAL DATA

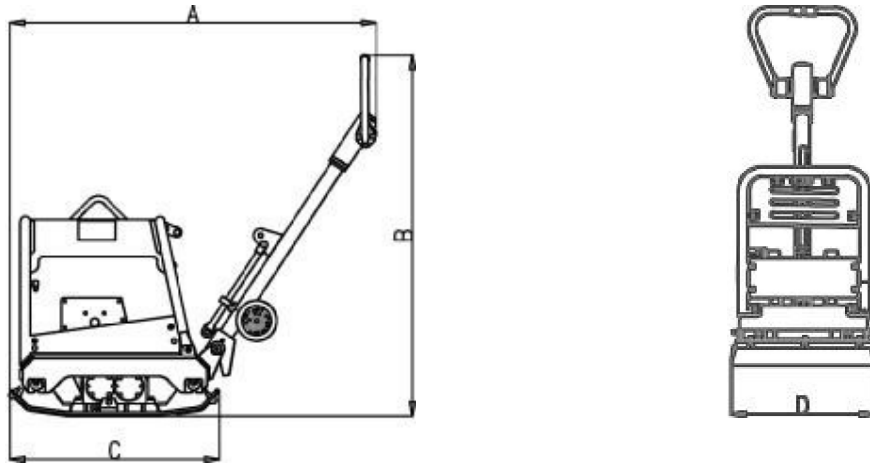
4. TECHNICAL DATA

Model	BRPRP210H
Engine type	Honda GX160
Power kw(hp)	4.0(5.5)
Operating weight kg(lb)	110(242)
Plate size l x w cm(in)	53x38(23x15)
Centrifugal force kN	20
Vibration Frequency vpm(hz)	5400(90)
Travel Speed m/min(ft/min)	22(72)
Exciter Lubrication (L)	SG15W-40 (0.4L)
Hydraulic oil (L)	L-HM32 (0.22L)

Model	BRPRP220H
Engine type	Honda GX200
Power kw(hp)	4.8(6.5)
Operating weight kg(lb)	170(375)
Plate size l x w cm(in)	69x50(27x20)
Centrifugal force kN	30
Vibration Frequency vpm(hz)	5400(90)
Travel Speed m/min(ft/min)	20(66)
Exciter Lubrication (L)	SG15W-40 (0.4L)
Hydraulic oil (L)	L-HM32 (0.22L)

TECHNICAL DATA

Working Size (mm):



Model	A	B	C	D
BRPRP210H	1155	1000	580	380
BRPRP220H	1268	1010	695	500

Sound Specification (According to 2000/14/EC)

Model	Guaranteed sound power level
BRPRP210H with Gasoline Engine	108dB(A)
BRPRP220H with Gasoline Engine	108dB(A)

Vibration Specification (According to ISO 2631 and EN 1033) :

Model	
BRPRP210H	4.0 m/s ²
BRPRP220H	4.5 m/s ²



20195 South Diamond Lake Road, Suite 100 • Rogers, MN 55374
 Toll-Free: 800-350-8739 • Website: braveproducts.com • Email: sales@braveproducts.com

Dear Valued Customer:

The Brave product you just purchased is built with the finest material and craftsmanship. Use this product properly and enjoy the benefits from its high performance. By purchasing a Brave product, you show a desire for quality and durability. Like all mechanical equipment this unit requires a due amount of care. Treat this unit like the high-quality piece of machinery it is. Neglect and improper handling may impair its performance.

Thoroughly read the instructions and understand the operation before using your product. Always contact Brave Product Support at 1-800-350-8739 prior to having any service or warranty work performed, as some services performed by parties other than Brave approved service centers may void this warranty. This limited warranty is in lieu of any other warranty expressed or implied, written or oral and Brave assumes no other responsibility or liability outside that expressed within this limited warranty.

Limited Warranty for Brave Compaction Equipment:

BRPTR60H	BRPFP130H	BRPRP220H	BRPCS110H
BRPTR68H	BRPFP140H	BRPPT110H	BRPCS210H
BRPFP120H	BRPRP210H	BRPPT210H	

	Consumer Warranty Period	Commercial Warranty Period
Bellow on Rammer		
	5 years from date of purchase by user	5 years from date of purchase by user
Gear box on Rammer or Plate Compactor		
	3 years from date of purchase by user	3 years from date of purchase by user
Other Equipment Parts on Rammer, Plate Compactor, Roller, Floor Saw, Power Trowel and Vibrating Screed		
	2 years from date of purchase by user	2 years from date of purchase by user
Vibratory Poker or Submersible Pump		
	1 year from date of purchase by user	1 year from date of purchase by user
Engines	The engine warranty is covered under the terms and conditions as outlined by the engine manufactures warranty contained herein and is the sole responsibility of the engine manufacturer. Normal engine maintenance such as spark plugs, oil changes, air filters, adjustments, fuel system cleaning and obstruction due to build up is not covered by this Brave limited warranty.	
Warranty Limitations	<ul style="list-style-type: none"> • Wear items: 30 day limited warranty. Includes, but not limited to, all clutches. • Any condition resulting from other than ordinary wear or any use for which the equipment was not intended • Any condition resulting from incorrect or inadequate maintenance or care. • Damage resulting from misuse, abuse, negligence, accidents or shipping. 	

“**Consumer use**” means personal residential household use by a consumer. “**Commercial use**” means all other uses, including, but not limited to, use for commercial, income producing or rental purposes or when purchased by a business.

This limited warranty applies to the original purchaser of the equipment (verification of purchase, in the form of a receipt, is the responsibility of the buyer), is non-transferable, and covers parts and labor. Parts will be replaced or repaired at no charge, except when the equipment has failed due to lack of proper maintenance. If a part is no longer available, the part may be replaced with a similar part of equal function. Any misuse, abuse, alteration or improper installation or operations will void warranty. Determining whether a part is to be replaced or repaired is the sole decision of Brave. Brave will not provide for replacement of complete products due to defective parts. Any costs incurred due to replacement or repair of items outside of a Brave approved facility is the responsibility of the buyer and not covered under warranty. Transportation costs to and from service center and/or service calls are the responsibility of the customer.

This limited warranty specifically excludes the following; failure of parts due to damage caused by accident, fire, flood, windstorm, acts of God applications not approved by Brave in writing, corrosion caused by chemicals, use of replacement parts which do not conform to manufacture specifications, damage related to rodent and/or insect infestation and damage caused by vandalism. Additional exclusions: loss of running time inconvenience, loss of income, or loss of use, including any implied warranty of merchantability of fitness for a specific use. Also, outdoor power equipment needs periodic parts and service to perform well, and this limited warranty does not cover instances when normal use has exhausted the life of a component or the engine.

This limited warranty does not cover any personal injury or damage to surrounding property caused by failure of any part, misuse or inability to use the product. Alteration of the product, including safety features, shall void this limited warranty.

Repair or replacement of parts does not extend the warranty period. This limited warranty gives you specific legal rights. You may also have other rights that vary by state. Please have model number, item number and serial number on hand prior to making a warranty claim or inquiry.

For products purchased on or after July 1, 2018

MAINTENANCE RECORD

PREVENTATIVE MAINTENANCE AND ROUTINE SERVICE PLAN

BravePro plate compactor has been assembled with care and will provide years of service. Preventative maintenance and routine service are essential to the long life of your plate compactor. After reading through this manual thoroughly, you will find that you can do some of the regular maintenance yourself. However, when in need of parts or major service, be sure to see your dealer. For your convenience we have provided this space to record relevant data about your plate compactor.

Invoice Number:		Type of Machine:	
Date Purchased:		Dealer Name:	
Serial Number:		Dealer Phone:	

REPLACEMENT PARTS USED					MAINTENANCE LOG	
PART NO.	DESCRIPTION	QTY	COST	DATE	DATE	OPERATION

**EC DECLARATION OF CONFORMITY
CE-KONFORMITÄTSERKLÄRUNG
DECLARACIÓN DE CONFORMIDAD DE LA CE
DÉCLARATION DE CONFORMITÉ C.E.**

Brave
20195 South Diamond Lake Road, Suite 100 Rogers, MN 55374

hereby certifies that the construction equipment specified hereunder / bescheinigt, da. das Baugerät / certifica que la máquina de construcción / atteste que le matériel :

1. Category / Art / Categoría / Catégorie:
Hydraulic Reversible Plate Compactor
2. Type / Typ / Tipo / Type:
BRPRP210H
BRPRP220H

Has been sound tested per Directive 2000/14/EC / In Übereinstimmung mit Richtlinie 2000/14/EG bewertet worden ist / Ha sido ensayado en conformidad con la norma 2000/14/CE / A été mis à l'épreuve conforme aux dispositions de la directive 2000/14/CEE:

Conformity Assessment Procedure/ Konformitätsbewertungsverfahren/ Procedimiento para ensayar conformidad / Procédé pour l'épreuve de conformité	Name and address of notified body / Bei folgender einbezogener Prüfstelle / Oficina matriculadora / Organisme agréé	Measured sound power level / Gemessener Schalleistungspegel / Nivel de potencia acústica determinado / Niveau de puissance acoustique fixé	Guaranteed sound power level / Garantierter Schalleistungspegel / Nivel de potencia acústica garantizado / Niveau de puissance acoustique garanti
Annex VI / Anhang VI / Anex VI / Annexe VI	AV TECHNOLOGY AVTECH House, Arkle Avenue, Stanley Green Trading Estate Handforth, Cheshire, SK9 3RW, United Kingdom.	BRPRP210H/BRPRP220H with Gasoline Engine 102dB	BRPRP2210H/BRPRP220H with Gasoline Engine 108dB

has been produced in accordance with the following standards:/in übereinstimmung mit folgenden Richtlinien hergestellt worden ist:/ha sido fabricado en conformidad con las siguientes normas: / a été produit conformément aux dispositions des directives européennes ci-après :

2005/88/EC
2006/42/EC
2004/108/EC/EN55012:2007
EN500-1
EN500-4



15.02.10

Hermann Josef Lensing
Research and Development Manager

Date / Datum / Fecha / Date

BRAVEPRO

Contact Us

Corporate Physical Address

Brave

A brand of Great Northern Equipment Distributing, Inc.

20195 South Diamond Lake Road, Suite 100

Rogers, MN 55374

Phone

800.350.8739

Website

www.braveproducts.com