

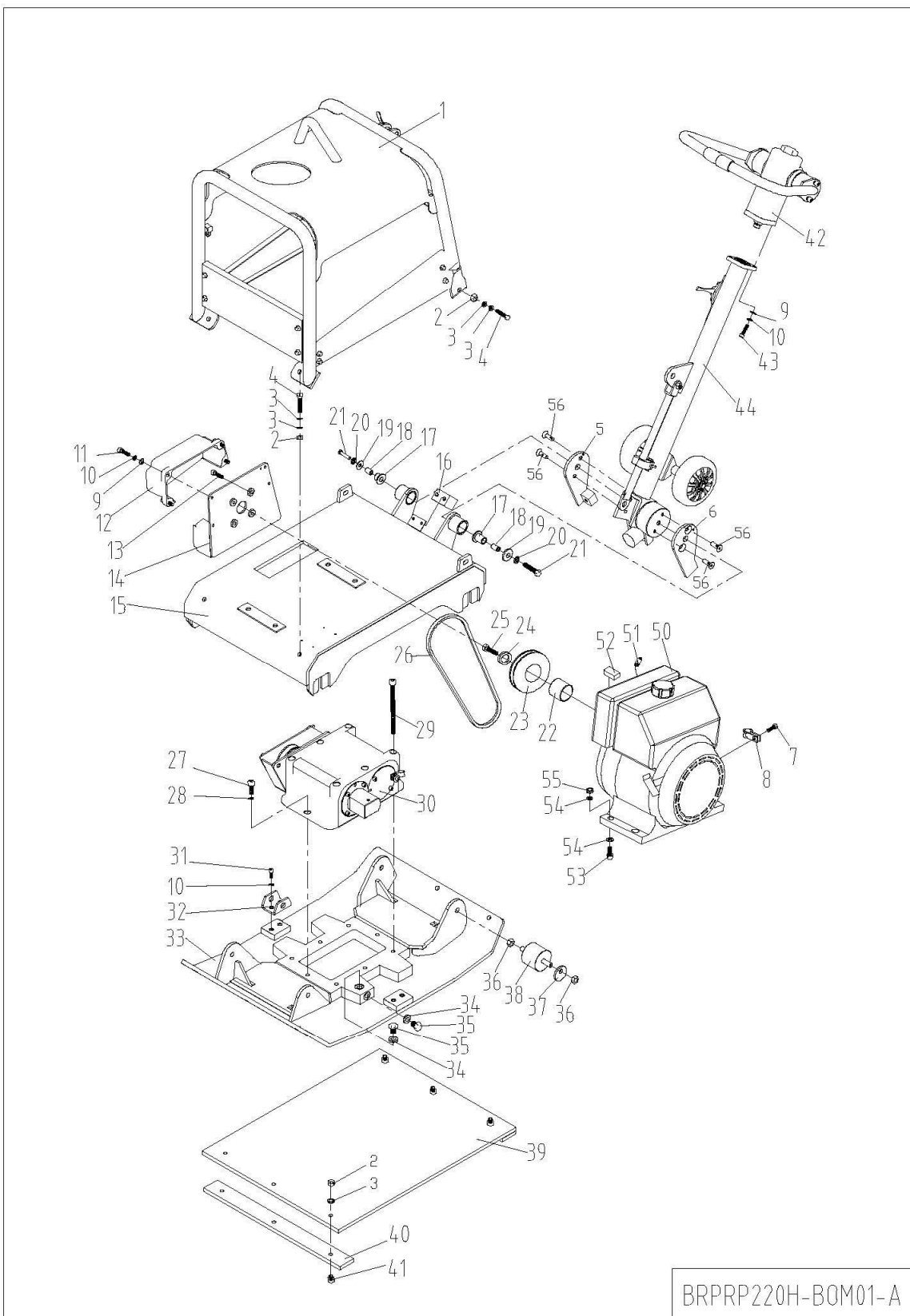
BRAVE

PARTS MANUAL

BRPRP220H REVERSIBLE PLATE COMPACTOR

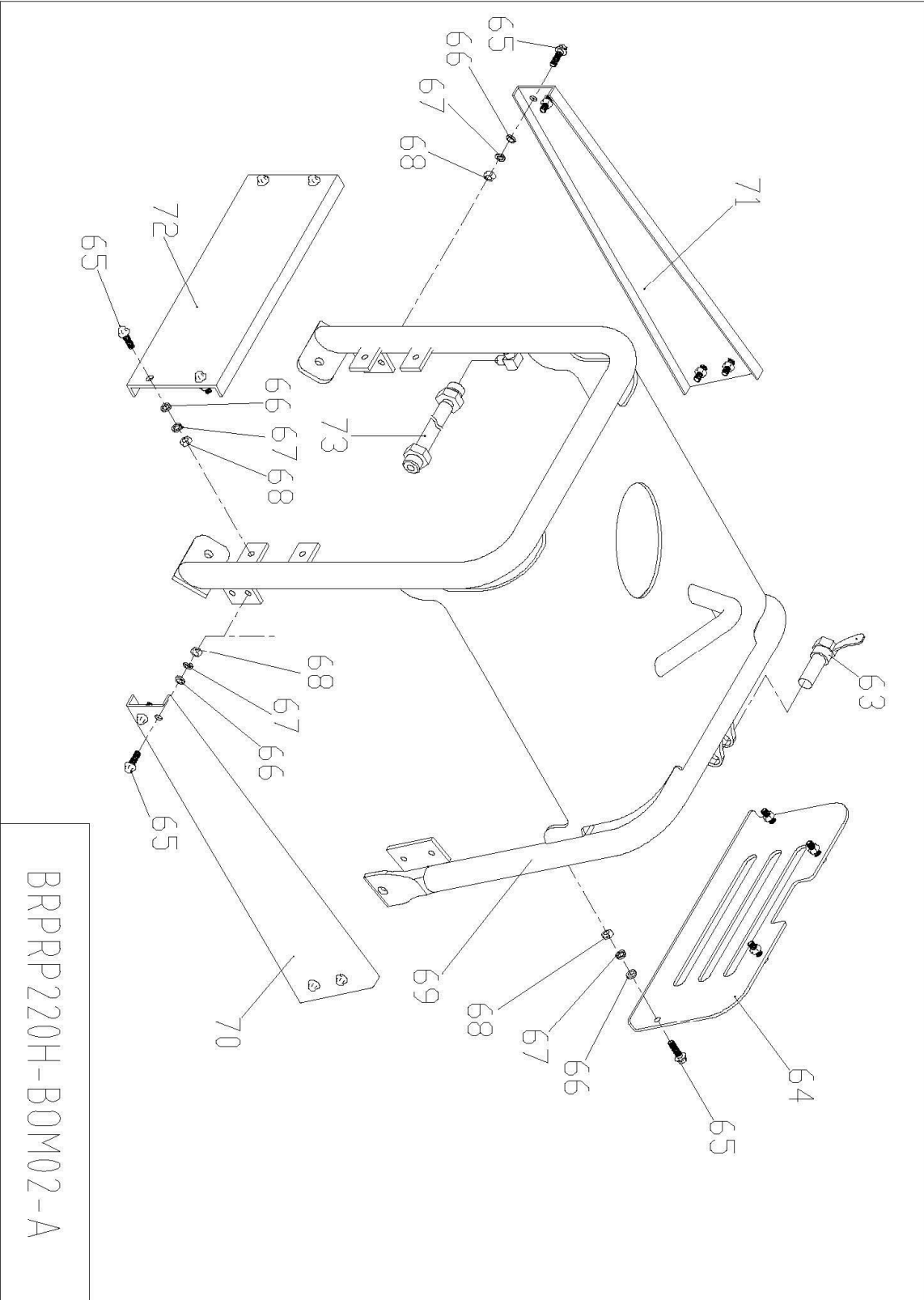


BRAVE CUSTOMER SERVICE | TOLL-FREE: 800-350-8739

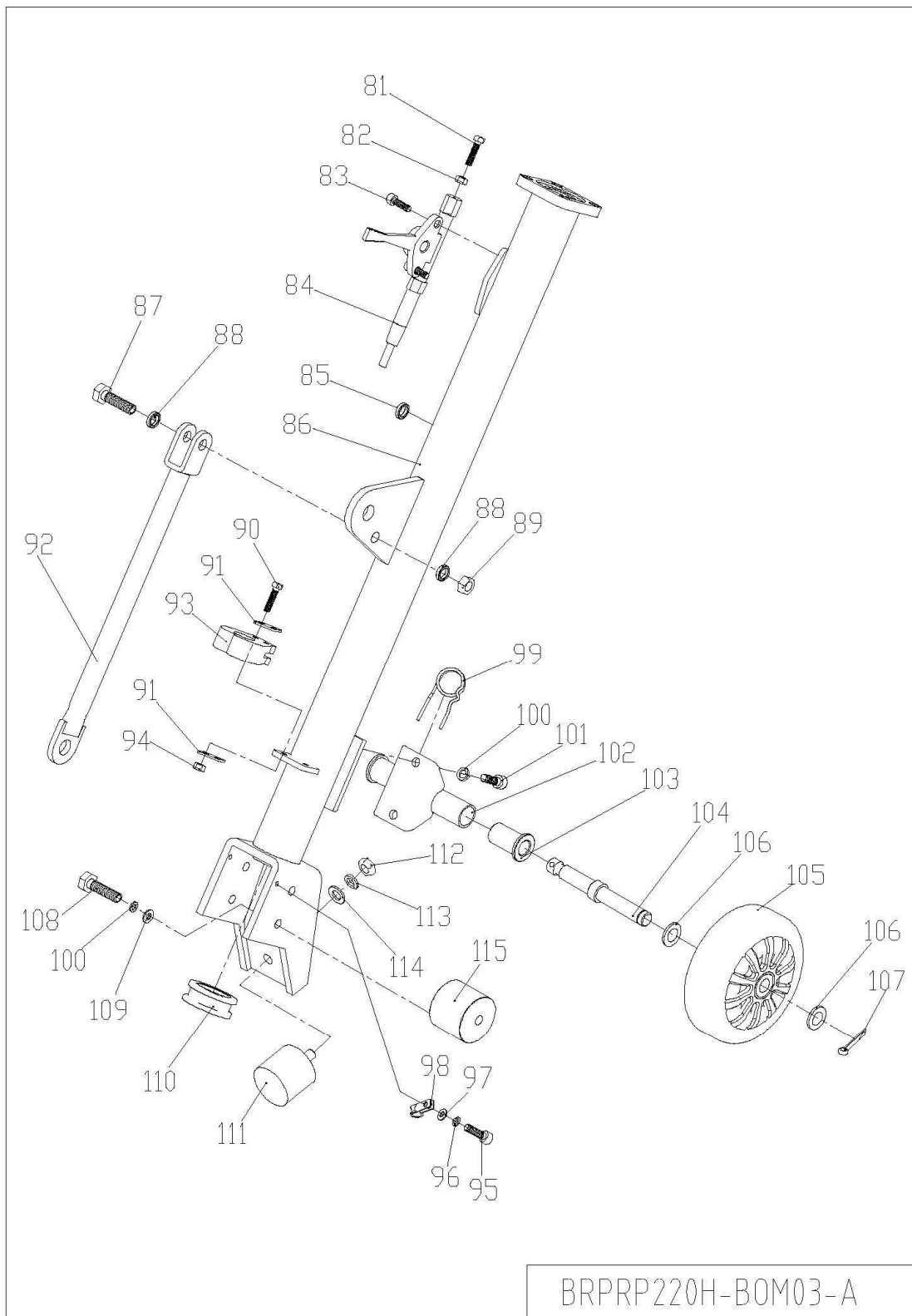


BRPRP220H-BOM01-A

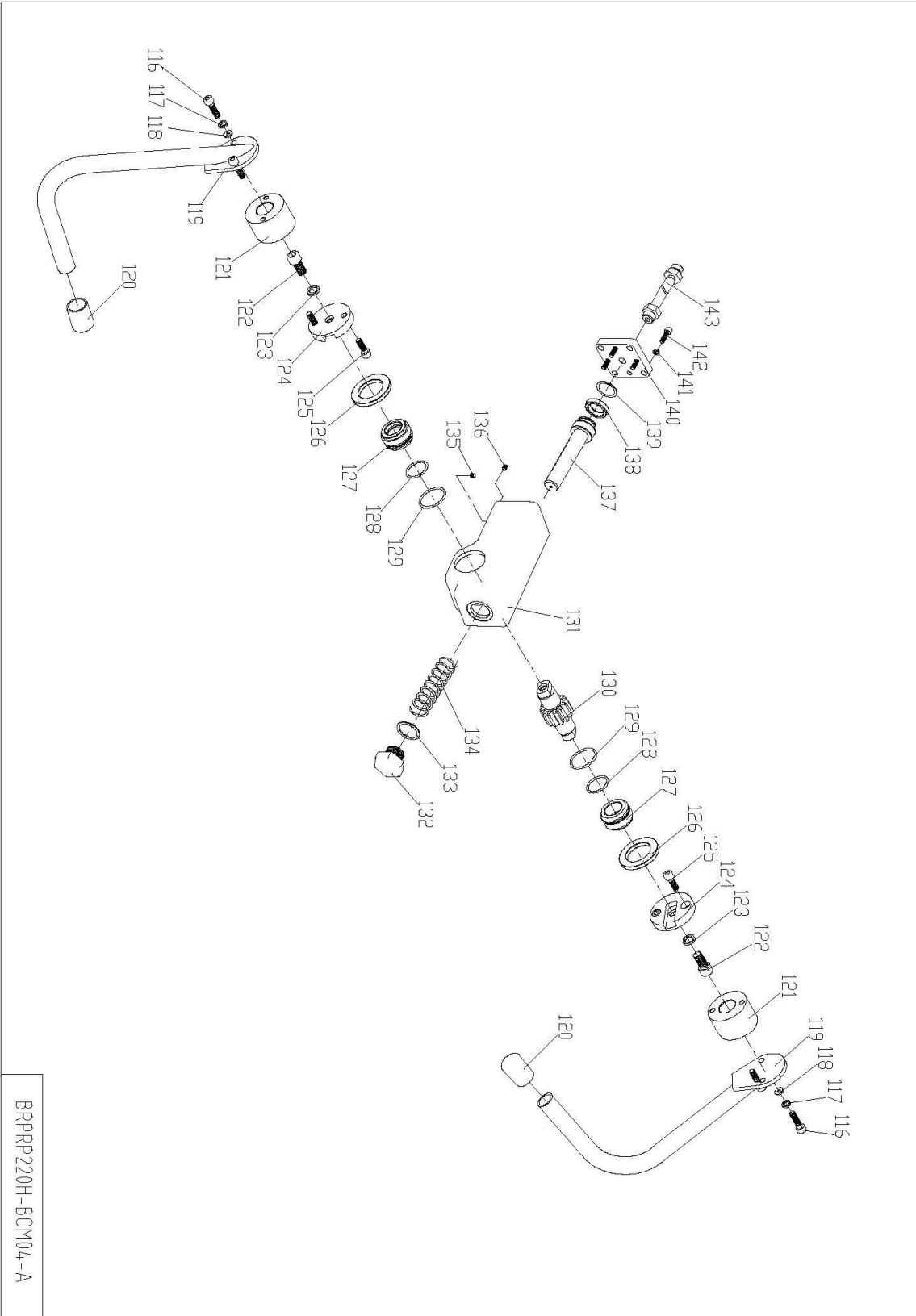
ITEM NO.	PART NO.	DESCRIPTION	QTY	REMARK
1	BR52701003	PROTECTIVE FRAME	1	
2	BR20405007	HEXAGONAL NUT M12-GB889	11	
3	BR20501010	FLAT WASHER 12	16	
4	BR20102203	HEX HEAD SCREW M12x40	4	
5	BR40303006	LEFT LIMITING PLATE ASSY	1	
6	BR40303007	RIGHT LIMITING PLATE ASSY	1	
7	KEY	ENGINE SHAFT KEY	1	COME WITH ENGINE
8	BR41406017	STRIP CLAMP	1	
9	BR20501007	FLAT WASHER	9	
10	BR20509006	SPRING WASHER	8	
11	BR20306103	HEX HEAD SCREW M8x25	4	
12	BR41205022	COVER	1	
13	BR20308109	HEX HEAD SCREW M8x25	6	
14	BR40303011C	GUARD PLATE	1	ORANGE
15	BR40802003C	ENGINE MOUNTING PLATE ASSY	1	ORANGE
16	BR41406025	CLAMP	1	
17	BR41201059	NYLON SLEEVE	2	
18	BR40504034	BUSHING	2	
19	BR40504035	HANDLE MOUNTING GASKET	2	
20	BR20509009	SPRING WASHER	2	
21	BR20102209	HEX HEAD BOLT	2	
22	BR40507031	SHAFT SLEEVE	1	
23	BR51701006	CLUTCH	1	
24	BR40504062	RETAINING RING (METRIC AXIS)	1	
25	BR20102106	BOLT	1	
26	BR21201001	BELT	1	
27	BR20306156	HEX HEAD SCREW M10x25	2	
28	BR20509008	SPRING WASHER	2	
29	BR20306167	SCREW	6	
30	BR52701001	VIBRATION BOX ASSY	1	
31	BR20306102	HEX HEAD SCREW	4	
32	BR40209004	BRACKET	2	
33	BR40803038	CASTING BASE PLATE	1	
34	BR21105004	COPPER WASHER	2	
35	BR40401001	PLUG	2	
36	BR20405007	HEXAGONAL NUT M12-GB889	8	
37	BR40504033	WASHER	4	
38	BR41201011	SHOCK ABSORBER	4	
39	BR41201107	RUBBER MAT	1	
40	BR40203228	RUBBER PLATE	2	
41	BR20102155	BOLT M10X35-GB5783	6	
42	BR40901009	CASE, HYDRAULIC PUMP	1	
43	BR20306105	SCREW	4	
44	BR52701002	HANDLE ASSY	1	
50	GX200	HONDA	1	
51	BR41004002	THROTTLE JOINT	1	
52	BR99	KEY	1	COME WITH ENGINE
53	BR20102108	HEX HEAD BOLT M8x45	4	
54	BR20501007	FLAT WASHER	8	
55	BR20405004	LOCK NUT	4	
56	BR20308103	HEX HEAD SCREW M8x16	4	



ITEM NO.	PART NO.	DESCRIPTION	QTY	REMARK
63	BR41403025	BOLT TYPE LOCKING DEVICE	1	
64	BR40203080	COVER PLATE,BACK	1	
65	BR20102102	BOLT M8X25-GB5783	16	
66	BR20501007	FLAT WASHER	16	
67	BR20509006	SPRING WASHER	18	
68	BR20405004	LOCK NUT	16	
69	BR52701003C	PROTECTIVE FRAME	1	
70	BR40207103C	COVER PLATE,RIGHT	1	ORANGE
71	BR40207102C	COVER PLATE,LEFT	1	ORANGE
72	BR40207101	COVER PLATE,FRONT	1	
73	BR41001029	OIL DRAIN HOSE		

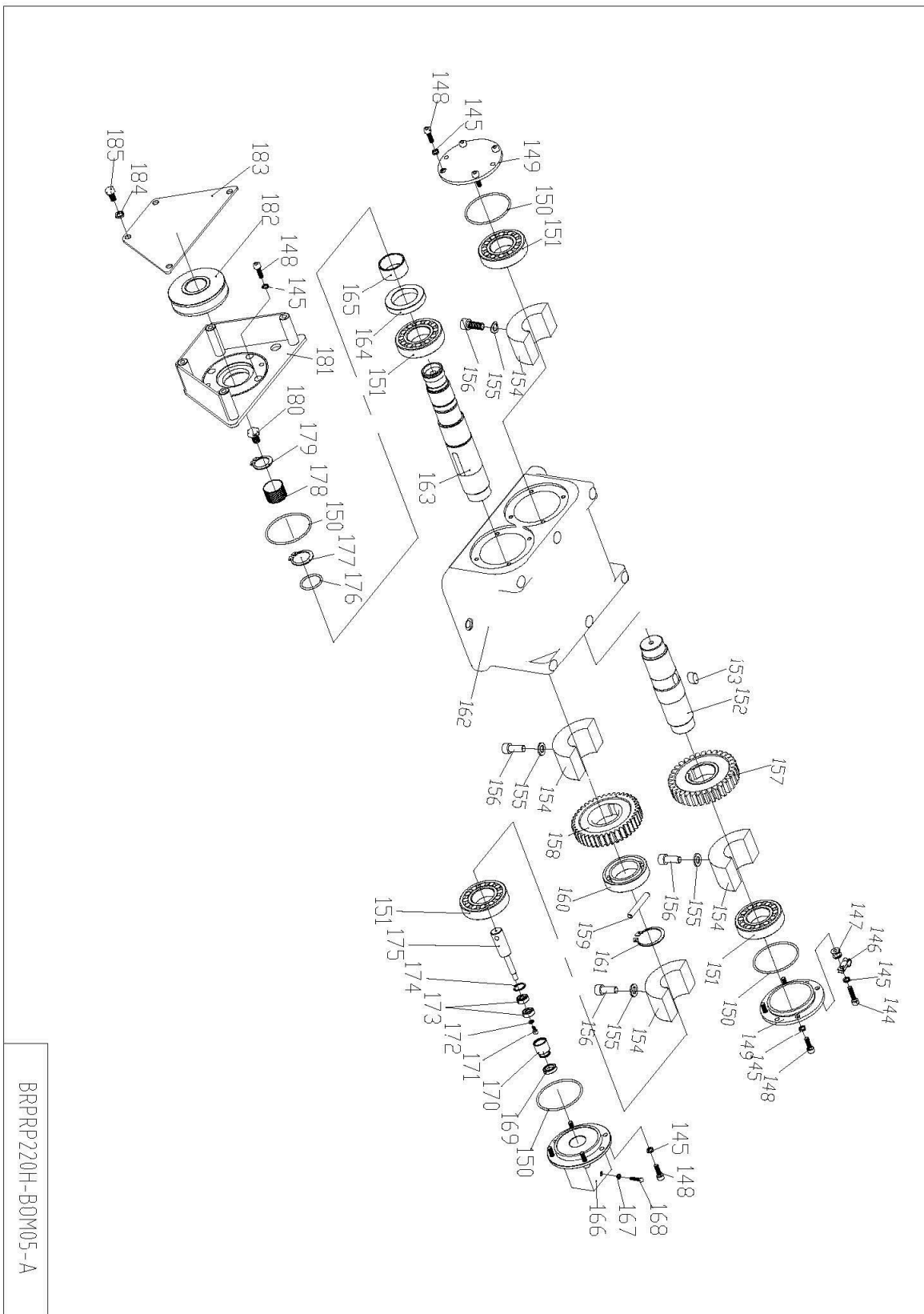


ITEM NO.	PART NO.	DESCRIPTION	QTY	REMARK
81	BR20102060	HEX HEAD BOLT	1	
82	BR20405002	HEXAGONAL NUT M6	1	
83	BR20308052	HEX HEAD SCREW	2	
84	BR41403027	THROTTLE SWITCH ASSY	1	
85	BR41404001	BUSHINGS 16	3	
86	BR40305007C	HANDLE TUBE ASSY	1	ORANGE
87	BR20102155	BOLT M10X35-GB5783	1	
88	BR41201060	NYLON WASHER	2	
89	BR20405006	HEXAGONAL NUT M10-GB889	1	
90	BR20102056	BOLT	2	
91	BR40203058	CONNECTOR	2	
92	BR40407006C	CONNECTING ROD ASSY	1	ORANGE
93	BR41205011	CLAMP	1	
94	BR20405002	HEXAGONAL NUT M6	2	
95	BR20306004	BOLT M5X16 GB97.1	1	
96	BR20509002	SPRING WASHER	1	
97	BR20501003	FLAT WASHER 5	1	
98	BR41406016	STRIP CLAMP	1	
99	BR40103010	SPRING CARD	1	
100	BR20509006	SPRING WASHER	6	
101	BR20306102	HEX HEAD SCREW	2	
102	BR40305005	CONNECTIR,WHEEL	1	
103	BR41201058	NYLON SLEEVE	2	
104	BR40406022	WHEEL AXLE	1	
105	BR41405001	WHEEL	2	
106	BR41201061	NYLON WASHER	4	
107	BR20805100	PIN	2	
108	BR20102101	HEX HEAD SCREW (SUITABLE FOR LIFTING HOOK)	4	
109	BR20501007	FLAT WASHER	8	
110	BR41404007	SLEEVE	1	
111	BR41201031	RUBBER BUMPER	1	
112	BR20405006	HEXAGONAL NUT M10-GB889	1	
113	BR20509008	SPRING WASHER	1	
114	BR20501009	FLAT WASHER	1	
115	BR41201012	UNDER HANDLE SHOCK ABSORBER	2	



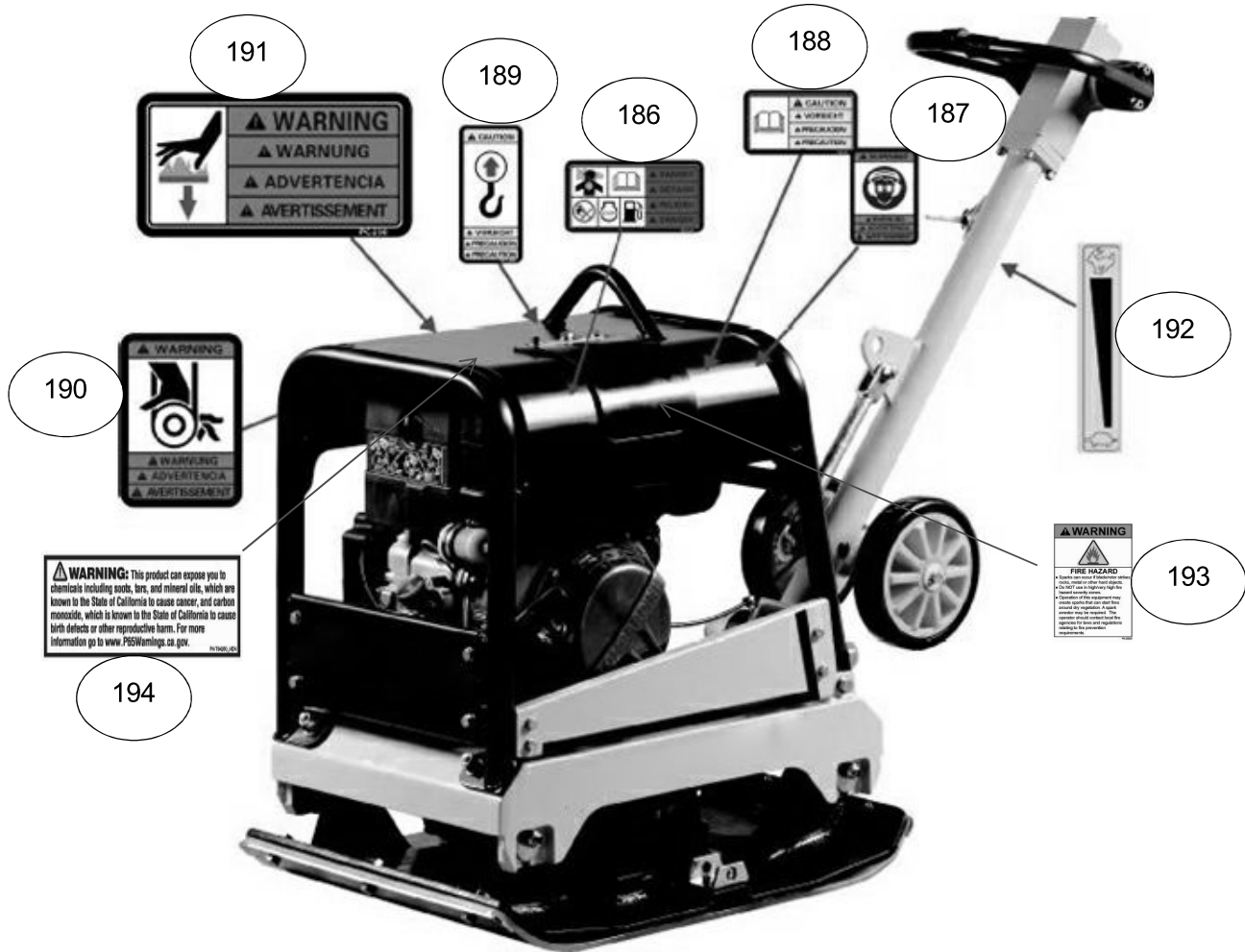
BRPRP220H-BOM04-A



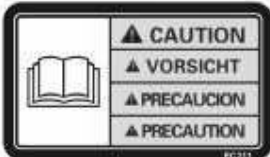


ITEM NO.	PART NO.		QTY	REMARK
116	BR20306102	HEX HEAD SCERW	4	
117	BR20509006	SPRING WASHER	4	
118	BR20501007	FLAT WASHER	4	
119	BR40305003	HANDLE	2	
120	BR41404004	SLEEVE	2	
121	BR41201013	SHOCK ABSORBER	2	
122	BR20306200	HEX HEAD SCERW	2	
123	BR20509009	SPRING WASHER	2	
124	BR40201019C	SHOCK ABSORBER FIXING PLATE	2	ORANGE
125	BR20306102	HEX HEAD SCERW	4	
126	BR41201057	NYLON SLEEVE	2	
127	BR40507012	SLEEVE	2	
128	BR21101351	O RING	2	
129	BR21101358	O RING	2	
130	BR40601005	GEAR SHAFT	1	
131	BR40901009C	CASE, HYDRAULIC PUMP	1	ORANGE
132	BR21103003	PLUG	1	
133	BR21105005	COPPER WASHER	1	
134	BR40103016	SPRING	1	
135	BR20704001	RIVET 6X6	2	
136	BR20318005	SCREW	1	
137	BR40601006	GEAR RACK	1	
138	BR21107003	SEALING PACKING	1	
139	BR21101404	O RING	1	
140	BR40203067C	SEAL PLATE	1	ORANGE
141	BR20509004	SPRING WASHER	4	
142	BR20306053	HEX HEAD SCERW	4	
143	BR41001032	HYDRAULIC TUBING ASSY	1	







BRPRP220H-B0M05-A

ITEM NO.	PART NO.		QTY	REMARK
144	BR20306058	HEX HEAD SCERW	1	
145	BR20509004	SPRING WASHER	16	
146	BR41406023	STRIP CLAMP	1	
147	BR40504036	FIXED WASHER	1	
148	BR20306053	HEX HEAD SCERW	15	
149	BR40503010	BEARING COVER	2	
150	BR21101359	O RING	4	
151	BR21004002	BEARING	4	
152	BR40406020	DRIVEN SHAFT	1	
153	BR20901200	KEY	1	
154	BR40705004	VIBRATION PIECE	4	
155	BR20517001	WASHER	4	
156	BR20306151	HEX BOLT	4	
157	BR40601004	DRIVEN GEAR	1	
158	BR40601003	REVERSING GEAR	1	
159	BR40402021	PIN	1	
160	BR21001050	BEARING	1	
161	BR20601016	RETAINING RING	1	
162	BR40901022	VIBRATION BOX	1	
163	BR40406019	REVERSING SHAFT	1	
164	BR21106008	LIP SEAL	1	
165	BR21011003	INNER BEARING	1	
166	BR40903012	CYLINDER COVER	1	
167	BR21105001	COPPER WASHER	1	
168	BR20102051	HEX BOLT	1	
169	BR21107002	SEAL RING	1	
170	BR40508003	CONNECTING SLEEVE	1	
171	BR20306002	HEX HEAD SCERW	1	
172	BR20501003	FLAT WASHER 5	1	
173	BR21001009	BEARING	2	
174	BR20602002	RETAINING RING	1	
175	BR40402022	HYDRAULIC TRANSMISSION SHAFT	1	
176	BR21101355	O RING	1	
177	BR20601014	RETAINING RING	1	
178	BR21108003	COMPENSATOR	1	
179	BR20601013	RETAINING RING	1	
180	BR40401014	BOLT	1	
181	BR40302014	PULLEY COVER ASSY	1	
182	BR40607011	PULLEY	1	
183	BR40203060	COVER PLATE	1	
184	BR20509006	SPRING WASHER	4	
185	BR20102116	HEX HEAD BOLT	4	



Item No	Part No	Label	Meaning
186	BR70701002		DANGER! Engines emit carbon monoxide; operate only in well-ventilate area. Read the Operator's Manual for machine information. No sparks, flames, or burning objects near the machine. Shut off the engine before refueling. Use only clean, filtered unleaded gasoline.
187	BR70701001		WARNING! Always wear hearing and eye protection when operating this machine.
188	BR70701006		CAUTION! Read and understand the supplied Operator's Manual before operating the machine. Failure to do so increase the risk of injury to yourself or others.
189	BR70701004		CAUTION! Lifting point.
190	BR70701010		WARNING! Hand injury if caught in moving belt. Always replace belt guard.

Item No	Part No	Label	Meaning
191	BR70701009		WARNING! Hot surface!
192	BR70701007		NOTICE! Throttle control lever: Turtle=Idle or slow, Rabbit=Full or fast.
193	BR70701337		WARNING! Fire hazard.
194	BR70702103		WARNING! Exposure hazard.

BRAVE

A brand of Great Northern Equipment Distributing, Inc.
20195 South Diamond Lake Road, STE 100
Rogers, MN 55374
800-350-8739
www.braveproducts.com