

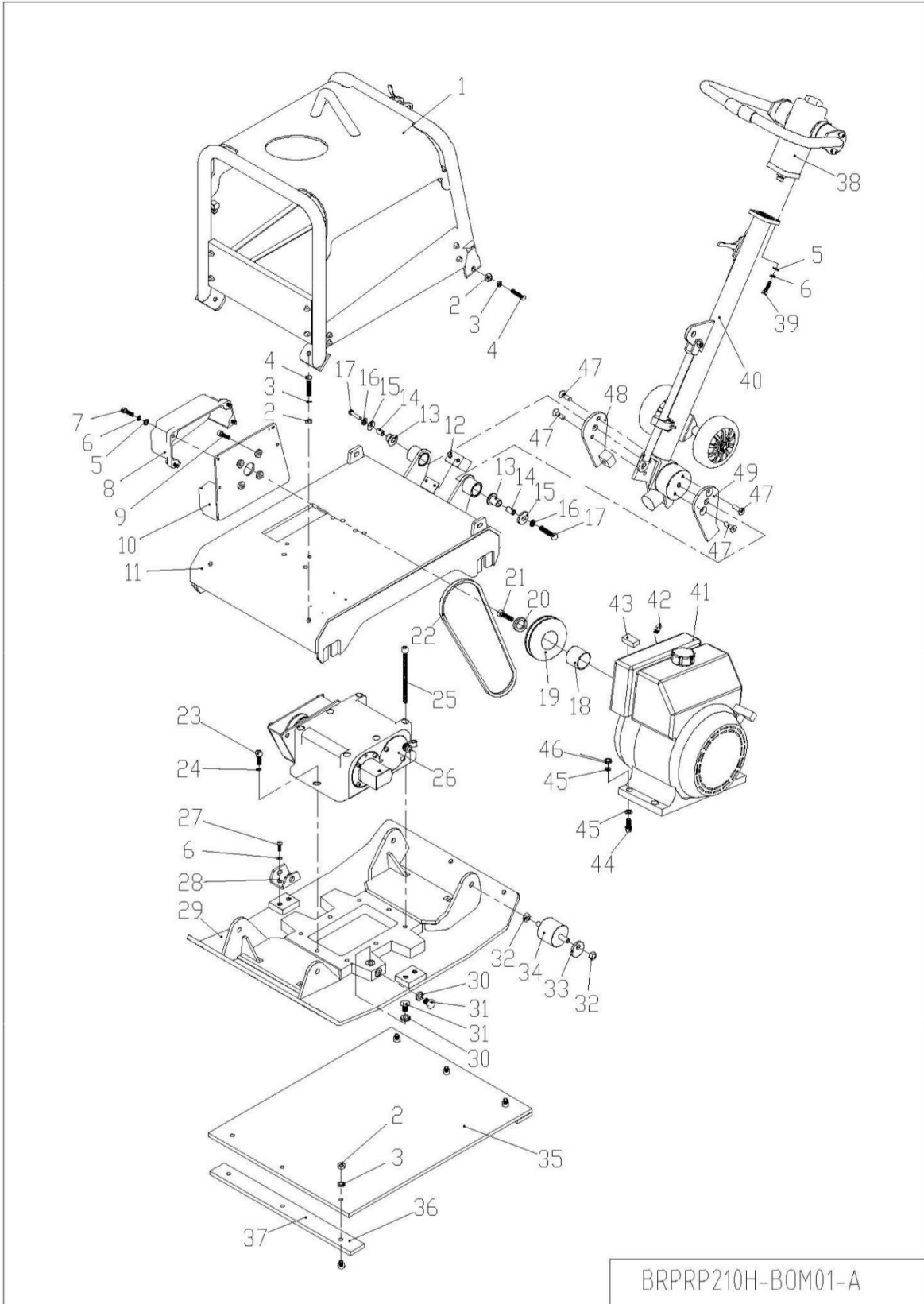
# BRAVE

# PARTS MANUAL

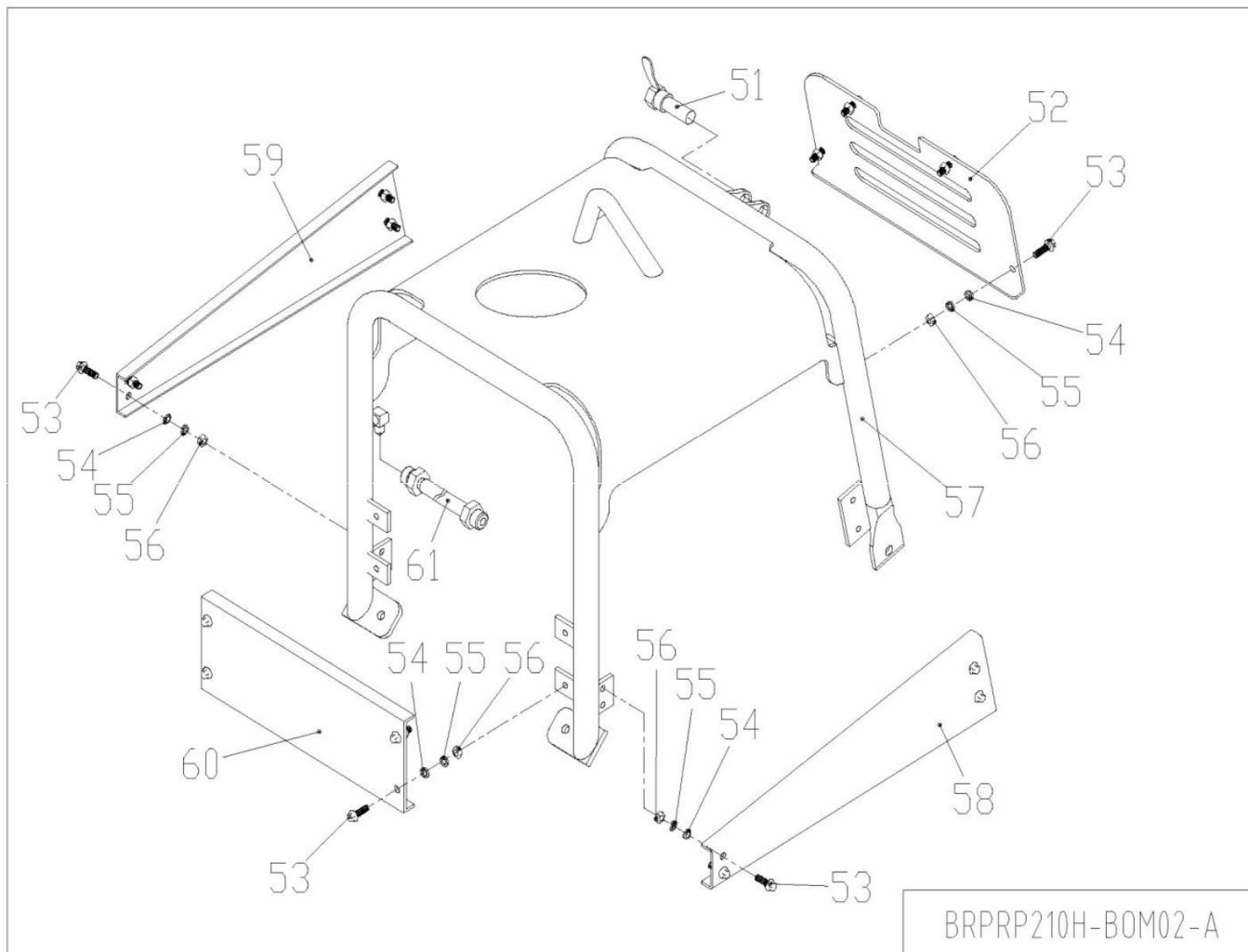
## BRPRP210H REVERSIBLE PLATE COMPACTOR



BRAVE CUSTOMER SERVICE | TOLL-FREE: 800-350-8739

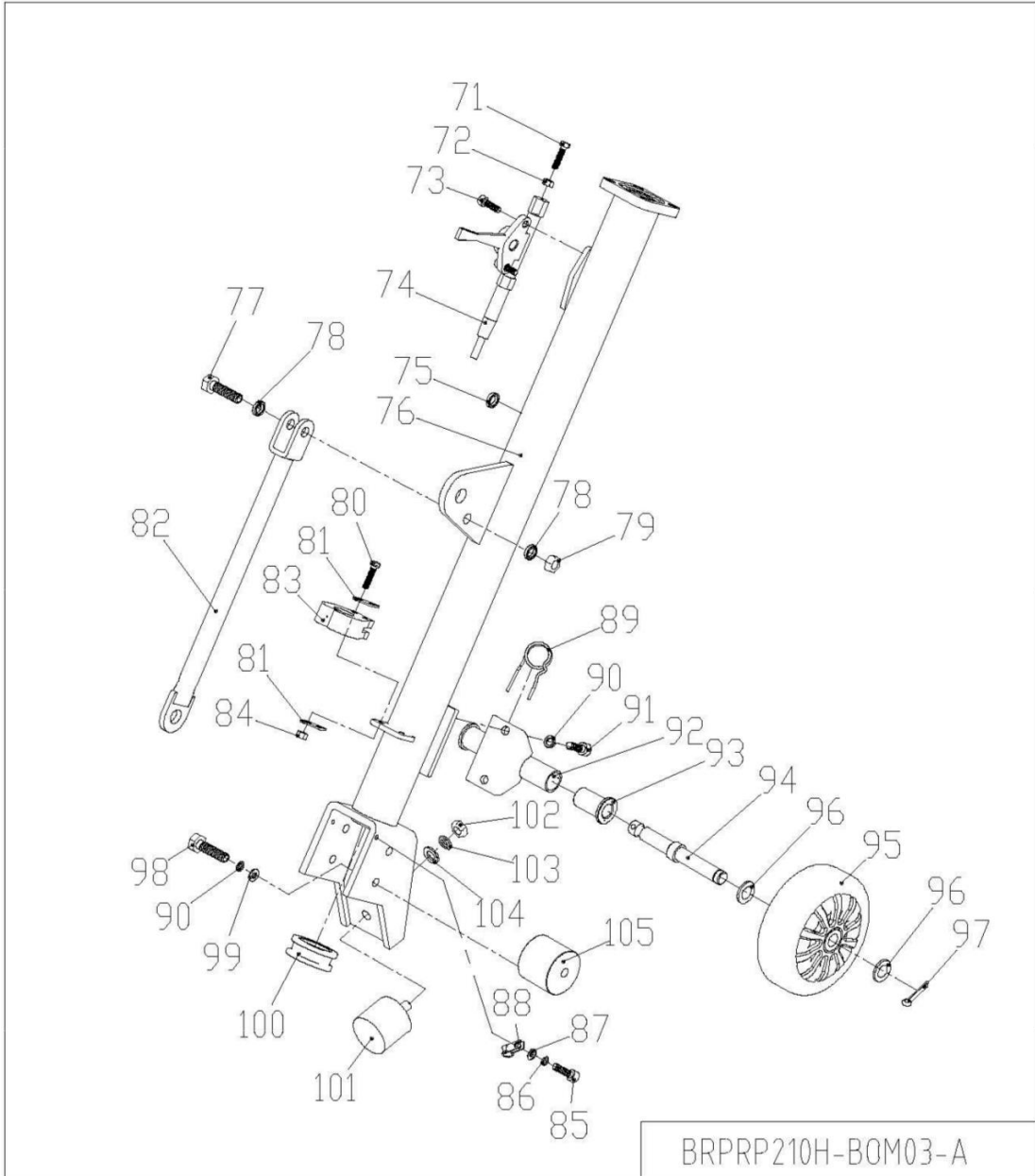


ITEM NO.	PART NO.	DESCRIPTION	QTY	REMARK
1	BR52501003	PROTECTIVE FRAME	1	
2	BR20405006	HEXAGONAL NUT M10-GB889	8	
3	BR20501009	FLAT WASHER	8	
4	BR20102156	BOLT M10X40-GB5783	4	
5	BR20501007	FLAT WASHER	8	
6	BR20509006	SPRING WASHER	8	
7	BR20306103	HEX HEAD SCREW M8x25	4	
8	BR41205022	COVER	1	
9	BR40401043	SCREW	4	
10	BR40303013C	BASE PLATE WELDING PART	1	ORANGE
11	BR40802005C	ENGINE MOUNTING PLATE	1	ORANGE
12	BR41406025	CLAMP	1	
13	BR41201059	NYLON SLEEVE	2	
14	BR40504034	BUSHING	2	
15	BR40504035	HANDLE MOUNTING GASKET	2	
16	BR20509009	SPRING WASHER	2	
17	BR20102216	HEX HEAD BOLT M12X50	2	
18	BR40507016	SLEEVE	1	
19	BR51703001	CLUTCH	1	
20	BR40504062	RETAINING RING (METRIC AXIS)	1	
21	BR20109002	BOLT	1	
22	BR21201001	BELT	1	
23	BR20306164	SOCKET HEAD BOLT M10X35	2	
24	BR20509008	SPRING WASHER	8	
25	BR20306167	SCREW	6	
26	BR52501001	VIBRATION BOX ASSY	1	
27	BR20306102	HEX HEAD SCREW	4	
28	BR40209004	BRACKET	2	
29	BR40803007	BASE PLATE	1	
30	BR21105004	COPPER WASHER	2	
31	BR40401001	PLUG	2	
32	BR20405007	HEXAGONAL NUT M12-GB889	8	
33	BR40504033	WASHER	4	
34	BR41201011	SHOCK ABSORBER	4	
35	BR210-RM	RUBBER MAT	1	41203018
36	BR40203083	RUBBER PAD	2	
37	BR20102155	BOLT M10X35-GB5783	6	
38	BR52601002	HYDRAULIC PUMP BOX ASSY	1	
39	BR20306105	SCREW	4	
40	BR52501002	HANDLE ASSY	1	
41	GX160	HONDA	1	
42	BR41004002	THROTTLE JOINT	1	
43	KEY	ENGINE SHAFT KEY	1	COME WITH ENGINE
44	BR20102108	HEX HEAD BOLT M8x45	4	
45	BR20501007	FLAT WASHER	4	
46	BR20405004	LOCK NUT	4	
47	BR20308103	HEX HEAD SCREW M8x16	4	
48	BR40303006	LEFT LIMITING PLATE ASSY	1	
49	BR40303007	RIGHT LIMITING PLATE ASSY	1	

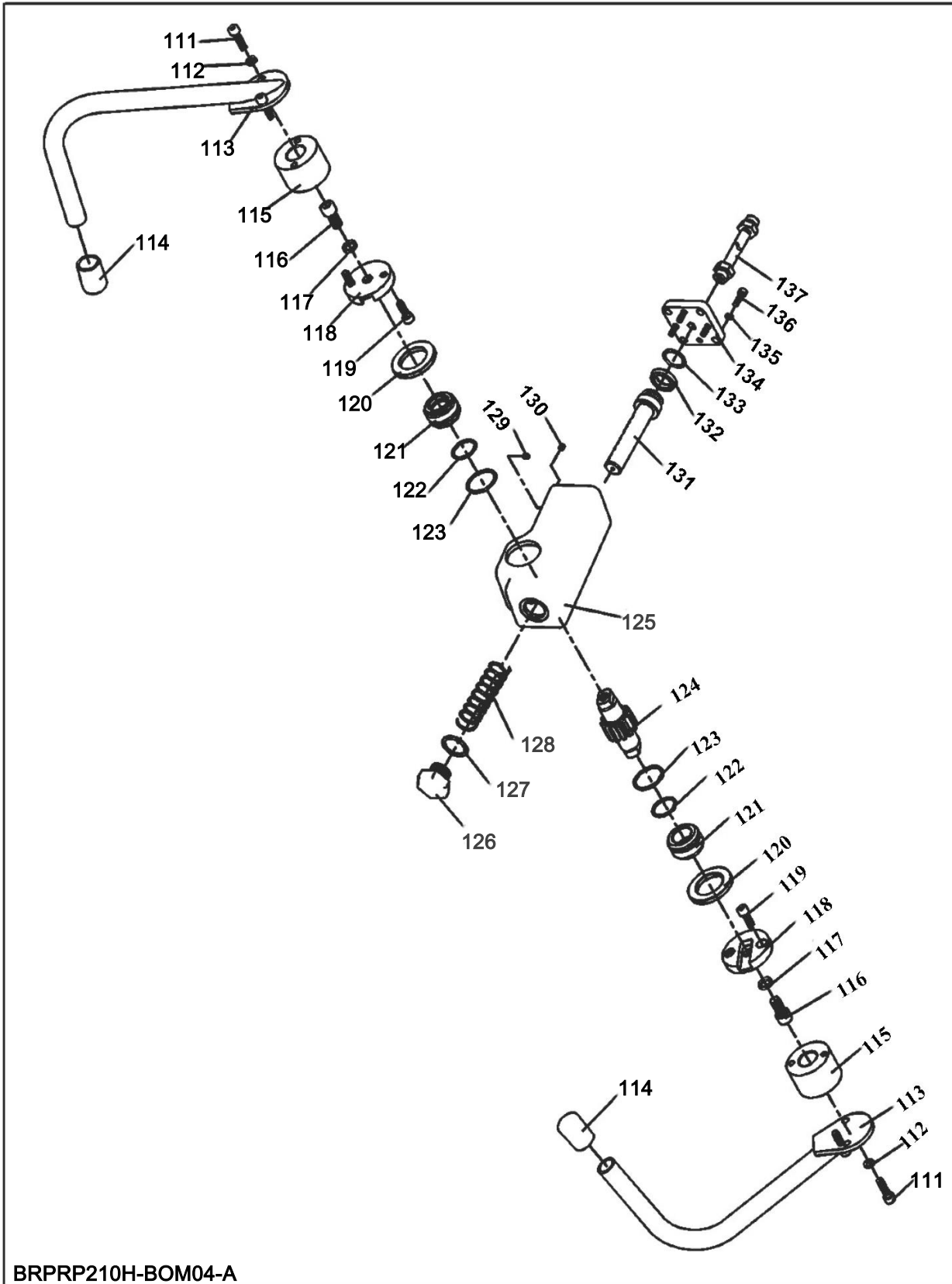


BRPRP210H-BOM02-A

ITEM NO.	PART NO.	DESCRIPTION	QTY	REMARK
51	BR41403025	BOLT TYPE LOCKING DEVICE	1	
52	BR40203087C	PLATE COVER,BACK	1	ORANGE
53	BR20102055	HEX HEAD BOLT M6X25	16	
54	BR20501005	FLAT WASHER	16	
55	BR20509004	SPRING WASHER	16	
56	BR20405002	HEXAGONAL NUT M6	16	
57	BR52501003	PROTECTIVE FRAME	1	
58	BR40207113C	PLATE COVER,LEFT	1	ORANGE
59	BR40207114C	PLATE COVER,RIGHT	1	ORANGE
60	BR40207112	PLATE COVER,FRONT	1	
61	BR41001029	OIL DRAIN HOSE	1	



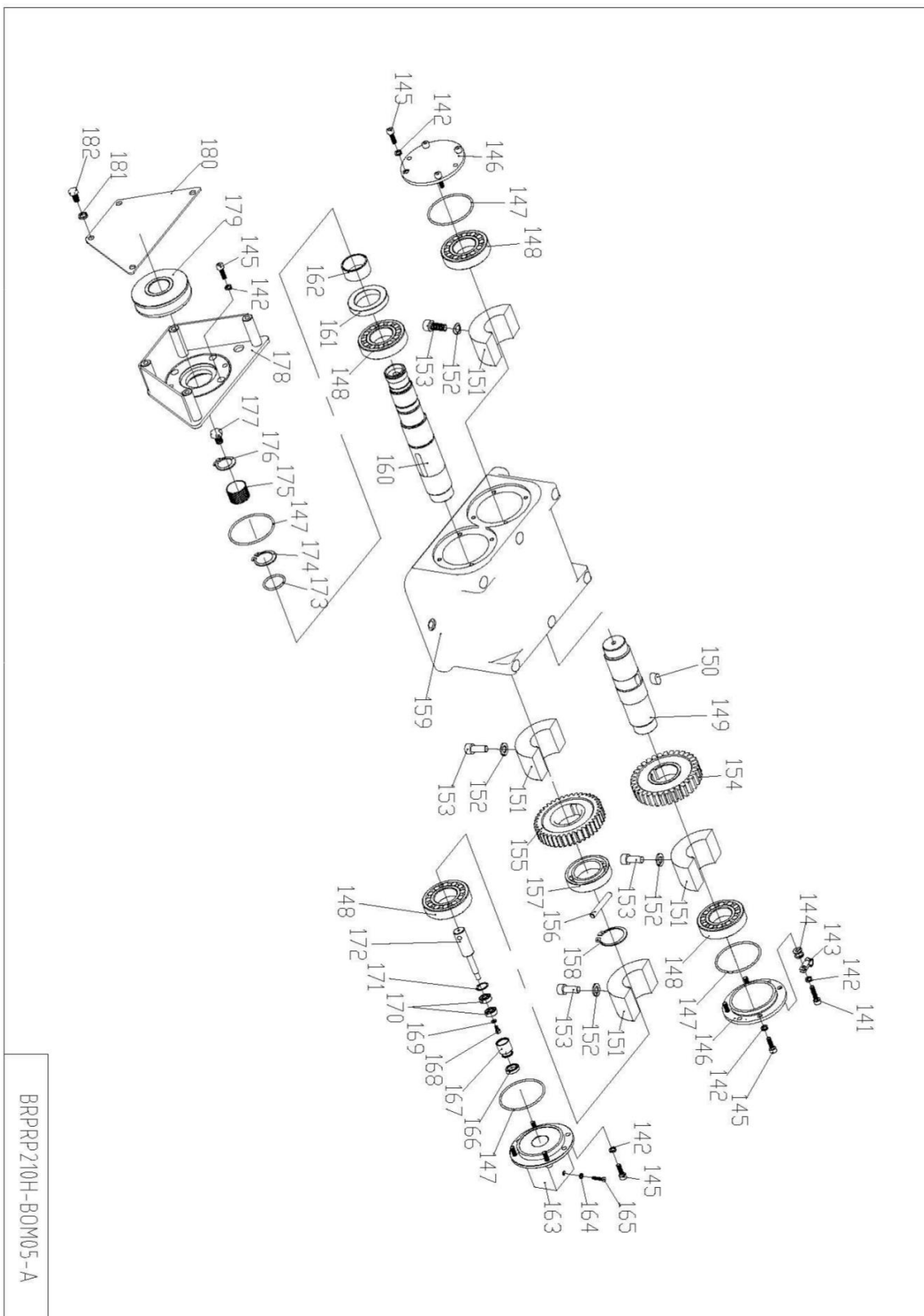
ITEM NO.	PART NO.	DESCRIPTION	QTY	REMARK
71	BR20102060	HEX HEAD BOLT	1	
72	BR20401003	HEXAGON NUT M6	1	
73	BR20308054	SOCKET HEAD SCREW M6X16	2	
74	BR41403026	THROTTLE CONTROL ASSY	1	
75	BR41404001	BUSHINGS 16	3	
76	BR52501002	HANDLE ASSY	1	
77	BR20102155	BOLT M10X35-GB5783	1	
78	BR41201060	NYLON WASHER	2	
79	BR20405006	HEXAGONAL NUT M10-GB889	1	
80	BR20102056	BOLT	2	
81	BR40203058	CONNECTOR	2	
82	BR40407007C	CONNECTING ROD ASSY	1	ORANGE
83	BR41205011	CLAMP	1	
84	BR20405002	HEXAGONAL NUT M6	2	
85	BR20306004	BOLT M5X16 GB97.1	1	
86	BR20509002	SPRING WASHER	1	
87	BR20501003	FLAT WASHER 5	1	
88	BR41406016	STRIP CLAMP	1	
89	BR40103010	SPRING CARD	1	
90	BR20509006	SPRING WASHER	6	
91	BR20306102	HEX HEAD SCREW	2	
92	BR40305005	CONNECTOR, WHEEL	1	
93	BR41201058	NYLON SLEEVE	2	
94	BR40406022	WHEEL AXLE	2	
95	BR41405001	WHEEL	2	
96	BR41201061	NYLON WASHER	4	
97	BR20805100	PIN	2	
98	BR20102101	BOLT M8X20 GB5783	4	
99	BR20501007	FLAT WASHER	28	
100	BR41404007	SLEEVE	1	
101	BR41201031	RUBBER BUMPER	1	
102	BR20405006	HEXAGONAL NUT M10-GB889	1	
103	BR20509008	SPRING WASHER	1	
104	BR20501009	FLAT WASHER	1	
105	BR41201012	UNDER HANDLE SHOCK ABSORBER	2	



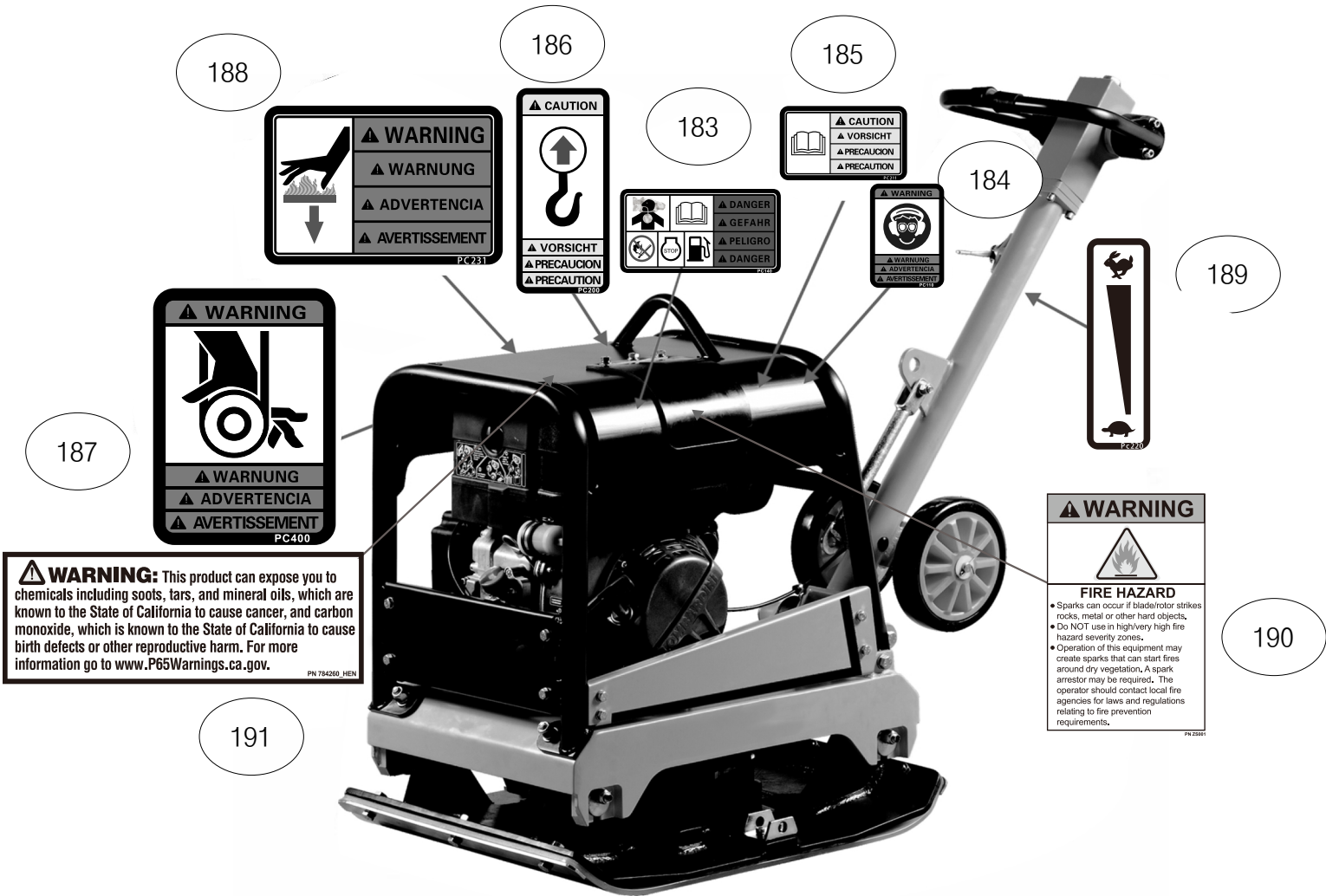
BRPRP210H-BOM04-A

ITEM NO.	PART NO.	DESCRIPTION	QTY	REMARK
111	BR20306102	HEX HEAD SCERW	4	
112	BR20509006	SPRING WASHER	4	
113	BR40305003	HANDLE	2	
114	BR41404004	SLEEVE	2	
115	BR41201013	SHOCK ABSORBER	2	
116	BR20306200	HEX HEAD SCERW	2	
117	BR20509009	SPRING WASHER	2	
118	BR40201019C	SHOCK ABSORBER FIXING PLATE	2	ORANGE
119	BR20306102	HEX HEAD SCERW	4	
120	BR41201057	NYLON SLEEVE	2	
121	BR40507012	SLEEVE	2	
122	BR21101352	O RING	2	
123	BR21101358	O RING	2	
124	BR40601005	GEAR SHAFT	1	
125	BR40901009C	CASE, HYDRAULIC PUMP	1	ORANGE
126	BR21103003	PLUG	1	
127	BR21105005	COPPER WASHER	1	
128	BR40103016	SPRING	1	
129	BR20704001	RIVET 6X6	2	
130	BR20318005	SCREW	1	
131	BR40601006	GEAR RACK	1	
132	BR21107003	SEALING PACKING	1	
133	BR21101404	O RING	1	
134	BR40203067C	SEAL PLATE	1	ORANGE
135	BR20509004	SPRING WASHER	4	
136	BR20306053	HEX HEAD SCERW	4	
137	BR41001031	HYDRAULIC HOSE ASSY	1	





ITEM NO.	PART NO.	DESCRIPTION	QTY	REMARK
141	BR20306058	HEX HEAD SCERW	1	
142	BR20509004	SPRING WASHER	16	
143	BR41406023	STRIP CLAMP	1	
144	BR40504036	FIXED WASHER	1	
145	BR20306053	HEX HEAD SCREW M6X20	15	
146	BR40503010	BEARING COVER	2	
147	BR21101359	O RING	4	
148	BR21004002	BEARING	4	
149	BR40406020	DRIVEN SHAFT	1	
150	BR20901200	KEY	1	
151	BR40705006	VIBRATION PIECE	1	
152	BR20517001	WASHER	4	
153	BR20306151	HEX BOLT	4	
154	BR40601004	DRIVEN GEAR	1	
155	BR40601003	REVERSING GEAR	1	
156	BR40402021	PIN	1	
157	BR21001050	BEARING	1	
158	BR20601016	RETAINING RING	1	
159	BR40901022	VIBRATION BOX	1	
160	BR40406023	REVERSING SHAFT	1	
161	BR21106008	LIP SEAL	1	
162	BR21011003	INNER BEARING/BUSHING	1	
163	BR40903012	CYLINDER COVER	1	
164	BR21105001	COPPER WASHER	1	
165	BR20102051	HEX BOLT	1	
166	BR21107002	SEAL RING	1	
167	BR40508003	CONNECTING SLEEVE	1	
168	BR20306002	HEX HEAD SCERW	1	
169	BR20501003	FLAT WASHER 5	1	
170	BR21001009	BEARING	2	
171	BR20602002	RETAINING RING	1	
172	BR40402022	HYDRAULIC TRANSMISSION SHAFT	1	
173	BR21101354	O RING	1	
174	BR20601014	RETAINING RING	1	
175	BR21108003	COMPENSATOR	1	
176	BR20601013	RETAINING RING	1	
177	BR40401014	BOLT	1	
178	BR40302017	PULLEY COVER ASSY	1	
179	BR40607026	PULLEY	1	
180	BR40203060	COVER PLATE	1	
181	BR20509006	SPRING WASHER	4	
182	BR20102116	HEX BOLT	4	



**WARNING:** This product can expose you to chemicals including soots, tars, and mineral oils, which are known to the State of California to cause cancer, and carbon monoxide, which is known to the State of California to cause birth defects or other reproductive harm. For more information go to [www.P65Warnings.ca.gov](http://www.P65Warnings.ca.gov).

PN 784260\_HEN

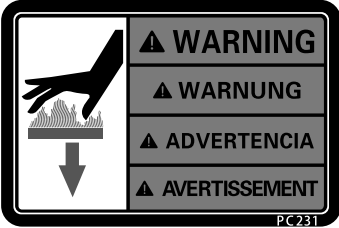



**WARNING**

**FIRE HAZARD**

- Sparks can occur if blade/rotor strikes rocks, metal or other hard objects.
- Do NOT use in high/very high fire hazard severity zones.
- Operation of this equipment may create sparks that can start fires around dry vegetation. A spark arrester may be required. The operator should contact local fire agencies for laws and regulations relating to fire prevention requirements.

PN 2305

Item No	Part No	Label	Meaning
183	BR70701002		<p><b>DANGER!</b> Engines emit carbon monoxide; operate only in well-ventilate area. Read the Operator's Manual for machine information. No sparks, flames, or burning objects near the machine. Shut off the engine before refueling. Use only clean, filtered unleaded gasoline.</p>
184	BR70701001		<p><b>WARNING!</b> Always wear hearing and eye protection when operating this machine.</p>
185	BR70701006		<p><b>CAUTION!</b> Read and understand the supplied Operator's Manual before operating the machine. Failure to do so increase the risk of injury to yourself or others.</p>
186	BR70701004		<p><b>CAUTION!</b> Lifting point.</p>
187	BR70701010		<p><b>WARNING!</b> Hand injury if caught in moving belt. Always replace belt guard.</p>

Item No	Part No	Label	Meaning
188	BR70701009		<p><b>WARNING!</b> Hot surface!</p>
189	BR70701007		<p><b>NOTICE!</b> Throttle control lever: Turtle=Idle or slow, Rabbit=Full or fast.</p>
190	BR70701337		<p><b>WARNING!</b> Fire hazard.</p>
191	BR70702103		<p><b>WARNING!</b> Exposure hazard.</p>

# **BRAVE**

A brand of Great Northern Equipment Distributing, Inc.  
20195 South Diamond Lake Road, STE 100  
Rogers, MN 55374

800-350-8739  
[www.braveproducts.com](http://www.braveproducts.com)