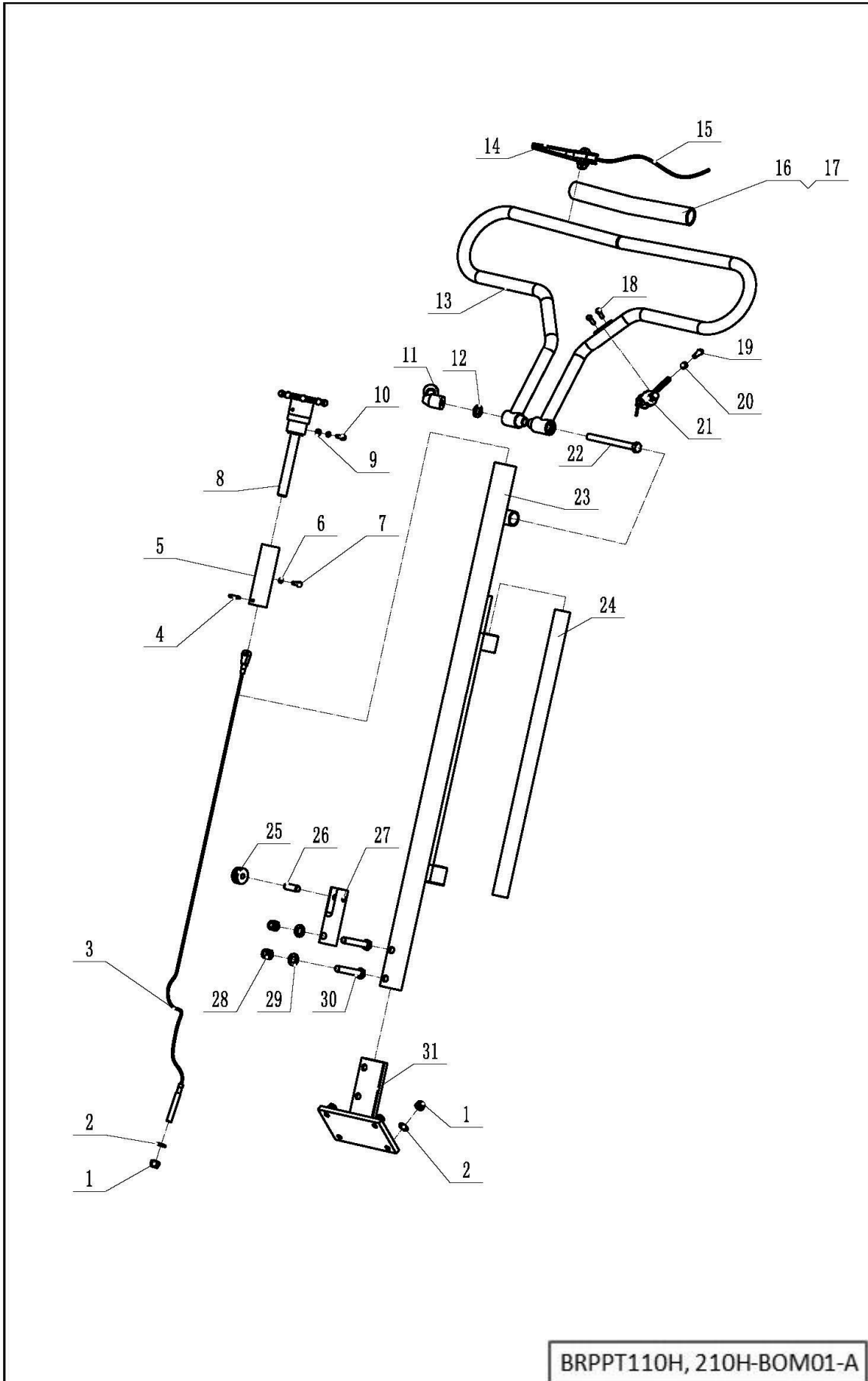


BRAVE

PARTS MANUAL

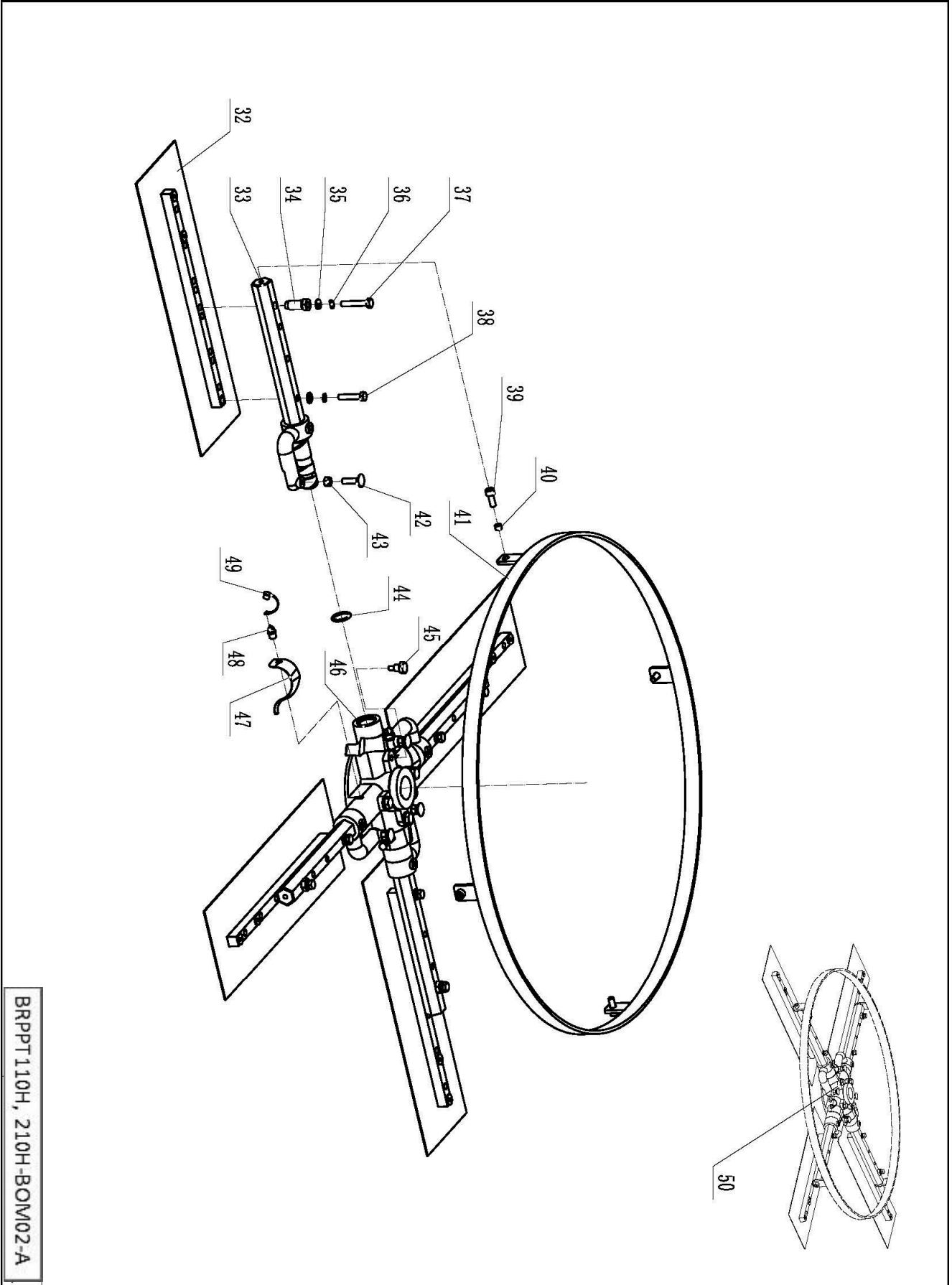
BRPPT110H BRPPT210H WALK-BEHIND POWER TROWEL





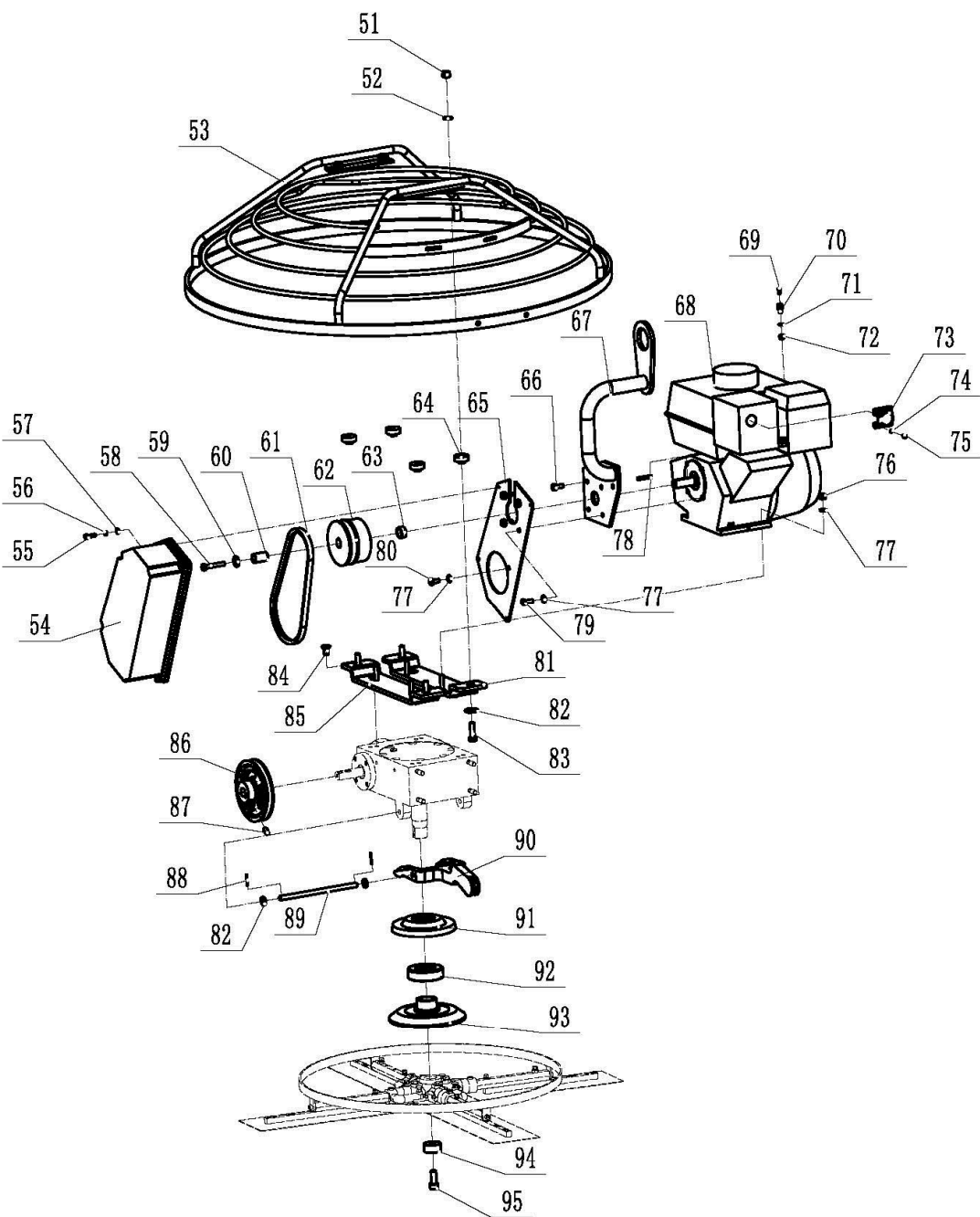
BRPPT110H, 210H-BOM01-A

Item No.	Part No.	Description	qty	remarks
1	BR20405006	HEXAGONAL NUT M10-GB889	5	
2	BR20501009	FLAT WASHER	5	
3	BR40101069	WIRE.MT36	1	BRPPT110H
	BR21399004	WIRE.MT42.46	1	BRPPT210H
4	BR20802202	SPRING PIN	1	
5	BR40706008	SCREW	1	
6	BR20509004	SPRING WASHER	2	
7	BR20306049	NUT	1	
8	BR54601011	TROWEL CONTROL ASSY.	1	
9	BR20501005	FLAT WASHER	1	
10	BR20102051	BOLT	1	
11	BR40101061	HANDLE BALL ROD	1	
12	BR20501024	WASHER 12	1	
13	BR40305169	ROUND HANDLE	1	
14	BR41403100	ON-OFF SWITCH	1	
15	BR54601161	WIRE	1	
16	BR41201163	HANDLE PAD	1	
17	BR41201046	ARMREST HOSE	1	
18	BR20308061	SCREW M6X10	2	
19	BR20102056	BOLT	1	
20	BR20401003	HEXAGON NUT M6	1	
21	BR41404018	TROLLEY CONTROL ASSY.	1	
22	BR20101115	HEX BOLT	1	
23	BR40305168	HANDLE	1	BRPPT110H
	BR40305167	HANDLE	1	BRPPT210H
24	BR40408006C	LIFT ROD	1	BRPPT110H
	BR40408010C	LIFT ROD	1	BRPPT210H
25	BR41405019	PULLEY	1	
26	BR20801010	PIN	1	
27	BR40203289	PULLEY TRACKET	1	
28	BR20405007	HEXAGONAL NUT M12-GB889	2	
29	BR20501010	FLAT WASHER 12	2	
30	BR20101099	HEX BOLT	2	
31	BR40703008	JUNCTION	1	



BRPPT110H, 210H-BOM02-A

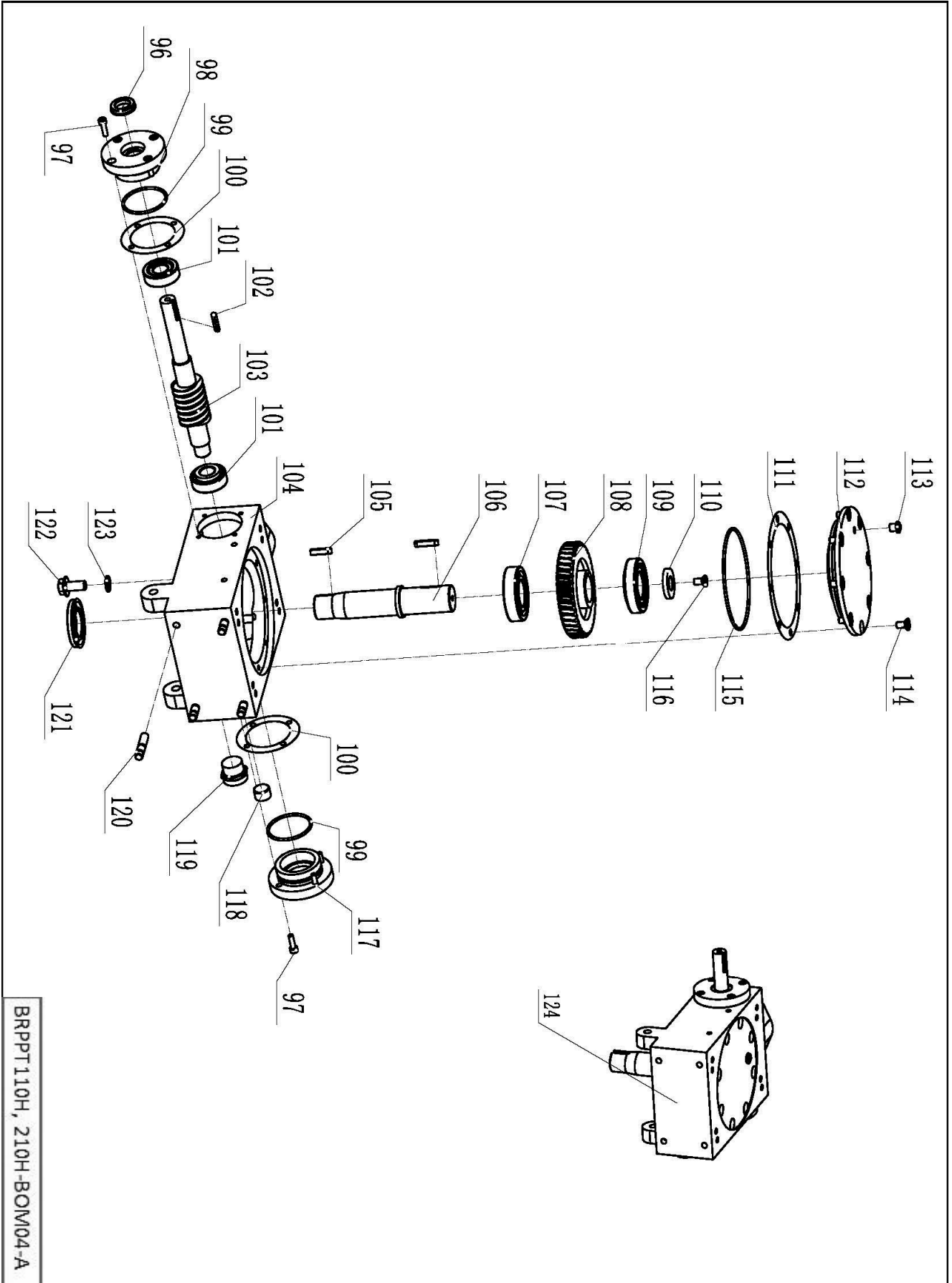
Item No.	Part No.	Description	qty	remarks
32	BR310-TB	BLADE	1	BRPPT110H
	BR315-TB	BLADE	1	BRPPT210H
33	BR40101084	TROWEL ARM EXTENDED	4	BRPPT110H
	BR40101090	TROWEL ARM EXTENDED	4	BRPPT210H
34	BR40401053	BOLT FOR ADJUSTING BLADE	4	
35	BR20501007	FLAT WASHER	8	
36	BR20509006	SPRING WASHER	8	
37	BR20109021	SCREW	4	
38	BR20109022	SCREW	4	
39	BR20306122	SCREW M8X20	4	BRPPT210H
40	BR40504151	ALU. SLEEVE	4	BRPPT210H
41	BR40507046	OUTER RING	1	BRPPT210H
42	BR20110021	BOLT M8X30	4	
43	BR20401004	I TYPE NUT M8	4	
44	BR21101020	O RING	4	
45	BR40401054	BOLT	4	
46	BR40302069	SPIDER PLATE ONLY	1	
47	BR40201081	SPRING STRIP	4	
48	BR20426027	CUP	4	
49	BR41201127	CUP COVER	4	
50	BR54601905BJ	SPIDER ASSY.	1	BRPPT110H
	BR54601183BJ	SPIDER ASSY.	1	BRPPT210H



BRPPT110H, 210H-BOM03-A

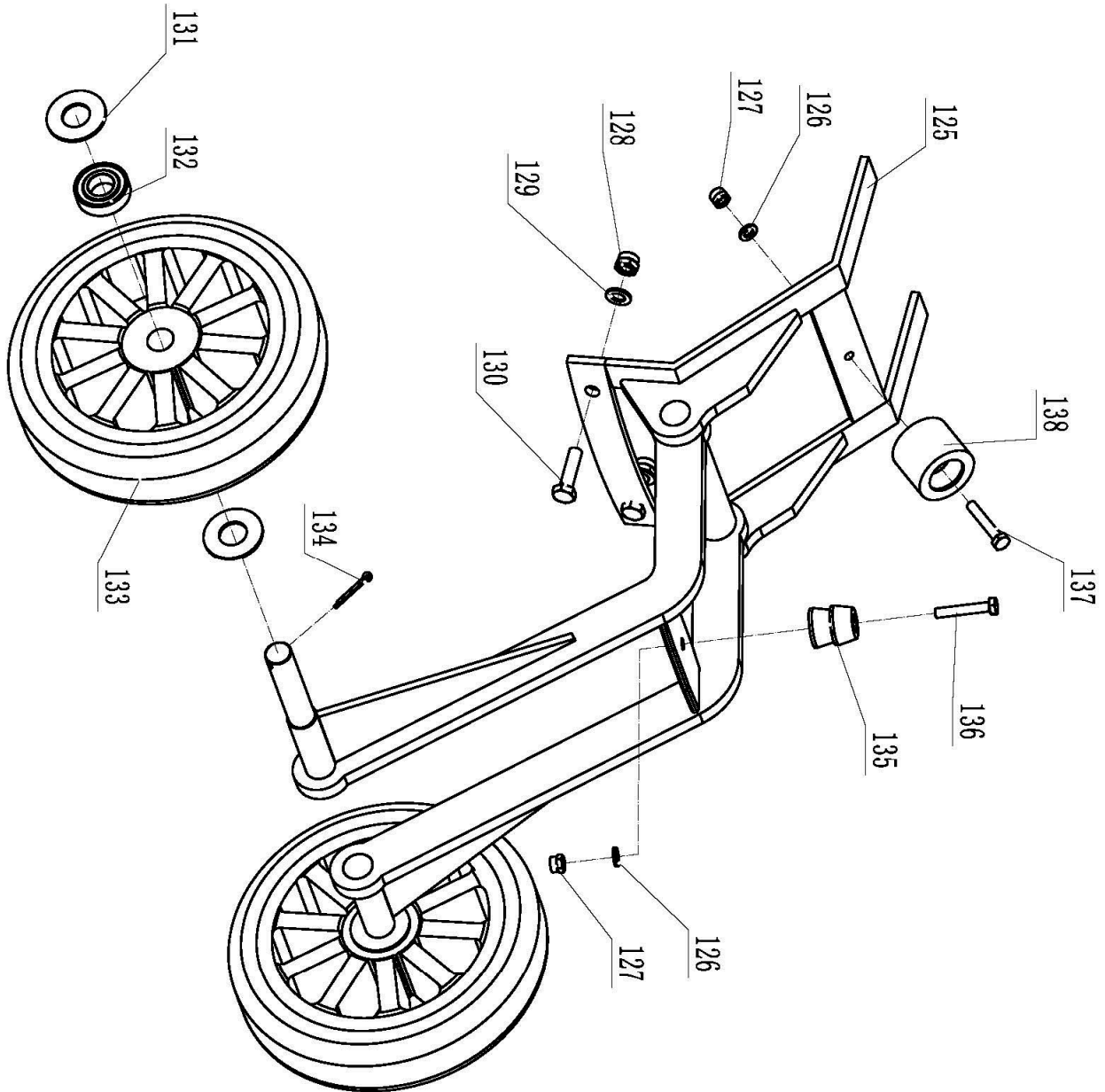
Item No.	Part No.	Description	qty	remarks
51	BR20405006	HEXAGONAL NUT M10-GB889	4	
52	BR20501009	FLAT WASHER	4	
53	BR40302068C	PROTECTIVE FRAME	1	BRPPT110H
	BR54601015C	PROTECTIVE FRAME	1	BRPPT210H
54	BR40301075	BELT GUARD	1	BRPPT110H
	BR40206118	BELT GUARD	1	BRPPT210H
55	BR20306069	SCREW M6X20	4	BRPPT110H
	BR20306077	SCREW M6X25	4	BRPPT210H
56	BR20509022	SPRING WASHER 6	4	
57	BR20501023	WASHER 6	4	
58	BR20102112	HEX BOLT	1	BRPPT110H
	BR20109030	BOLT (Q ENGINE)	1	BRPPT210H
59	BR20504011	LARGE WASHER	1	BRPPT110H
	BR20504006	LARGE WASHER	1	BRPPT210H
60	BR40504193	LONG PIPE FOR CLUTCH	1	BRPPT110H
61	BR21201108	BELT	1	BRPPT110H
	BR21201109	BELT	1	BRPPT210H
62	BR54601002	CLUTH ASSY. (S ENGINE)	1	BRPPT110H
	BR54601104	CLUTCH ASSY. (Q ENGINE)	1	BRPPT210H
63	BR40504192	LONG ADJUSTING SLEEVE OF CLUTCH	1	BRPPT110H
64	BR41201126	VIBRATION DAMPER	4	
65	BR40206102	MOUNTING PLATE, BELT GUARD	1	BRPPT110H
	BR40204089	MOUNTING PLATE, BELT GUARD	1	BRPPT210H
66	BR99901044	U.S.INNER HEXAGON COUNTERSUNK SCREW	2	BRPPT210H
67	BR54601098	LIFTING HOOK	1	BRPPT110H
	BR54601095	LIFTING HOOK	1	BRPPT210H
68	GX160	HONDA	1	BRPPT110H
	GX270	HONDA	1	BRPPT210H
69	BR20301010	CROSS RECESS HEAD SCREW (STAINLESS STEEL)	1	
70	BR40203310	BOLT	1	
71	BR20501021	WASHER 5 (STEEL)	1	
72	BR20405021	LOCK SCREW M5 (STEEL)	1	

Item No.	Part No.	Description	qty	remarks
73	BR40204074	GUIDE COVER	1	BRPPT110H
	BR40204076	GUIDE COVER	1	BRPPT210H
74	BR20509001	SPRING WASHER	2	BRPPT110H
75	BR20301001	RIVET	2	BRPPT110H
	BR20705003	RIVET	3	BRPPT210H
76	BR20405004	LOCK NUT	4	
77	BR20501007	FLAT WASHER	4	BRPPT110H
	BR20504003	BIG WASHER	4	BRPPT210H
78	KEY	ENGINE SHAFT KEY SUPPLIED WITH ENGINE	1	BRPPT110H
	KEY	ENGINE SHAFT KEY SUPPLIED WITH ENGINE	1	BRPPT210H
79	BR20102102	HEX HEAD BOLT	4	BRPPT110H
	BR20109031	HEX BOLT (Q ENGINE)	2	BRPPT210H
80	BR20102101	BOLT M8X20 GB5783	1	
81	BR54601131	RIGHT PLATE ASSEMBLY	1	BRPPT110H
	BR54601134	RIGHT PLATE ASSEMBLY	1	BRPPT210H
82	BR20504005	BIG WASHER	6	
83	BR20102155	BOLT M10X35-GB5783	4	
84	BR20308147	SUN SCREW	4	BRPPT110H
	BR20308147	SUN SCREW	8	BRPPT210H
85	BR54601130	LEFT PLATE ASSEMBLY	1	BRPPT110H
	BR54601133	LEFT PLATE ASSEMBLY	1	BRPPT210H
86	BR40607048	PULLEY	1	
87	BR20312009	HEX HEAD SCREW M8	1	
88	BR20805005	PIN	2	
89	BR40102022	PIN FOR FORK	1	
90	BR40101059	FORK	1	
91	BR40503033	BEARING PLATEN	1	
92	BR21012012	BEARING 51209	1	
93	BR40503032	BLADE PLATEN	1	
94	BR41201125	CROSS WASHER	1	
95	BR20306014	SOCKET CAP SCREW	1	



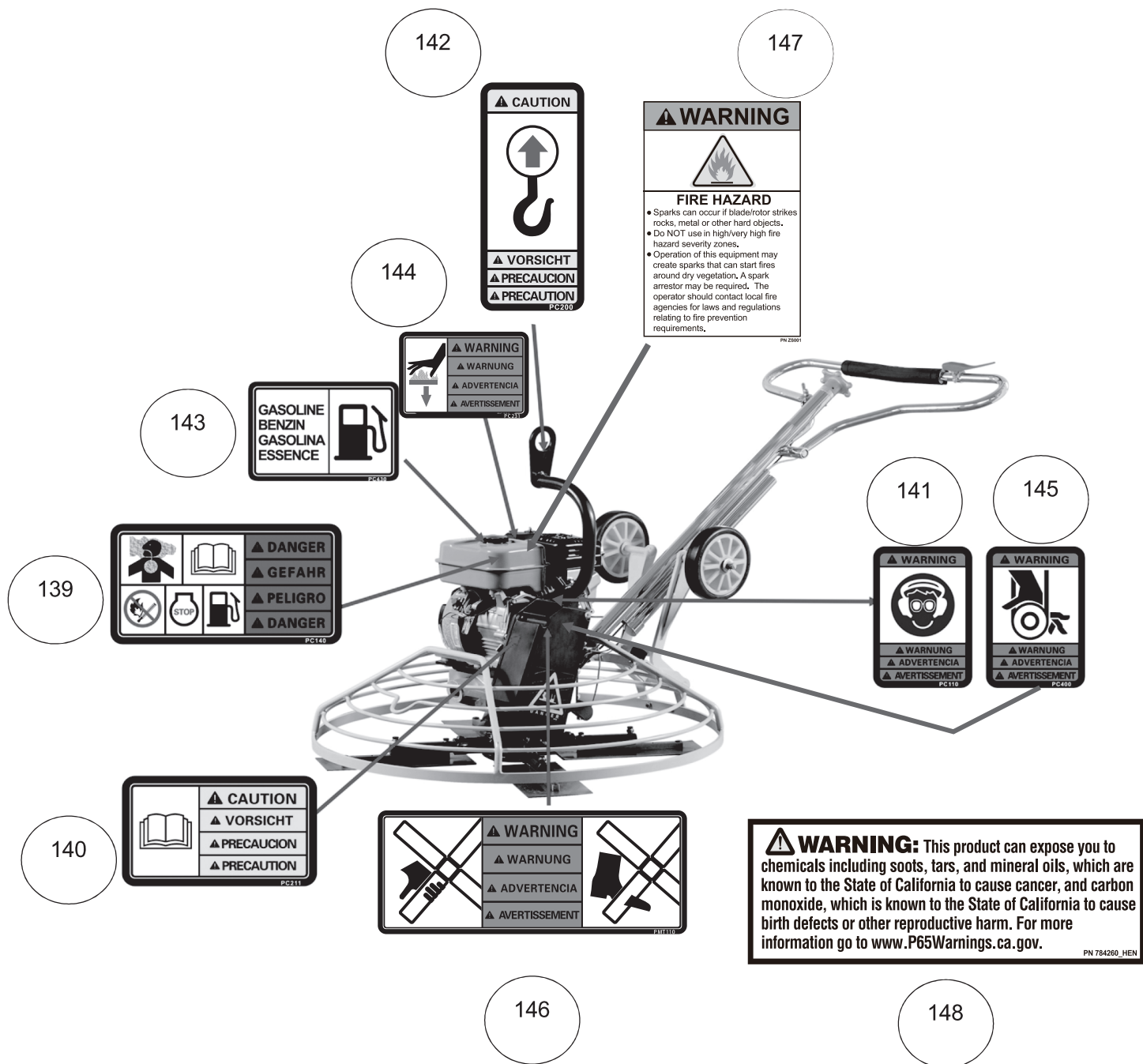
BRPPT110H, 210H-BOM04-A


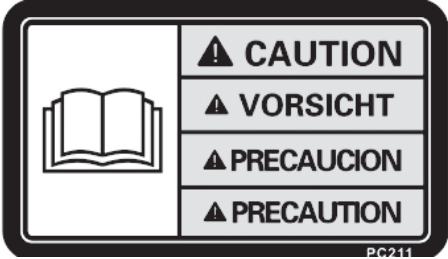



Item No.	Part No.	Description	qty	remarks
96	BR21106038	SEAL	1	
97	BR20306048	SOCKET CAP SCREW	8	
98	BR40503034	FLANGE, INPUT SHAFT	1	
99	BR21101021	O-RING	2	
100	BR40504141	PLATE, SEAL	2	
101	BR21001084	BEARING	2	
102	BR20901055	KEY	1	
103	BR40405009	GEAR, WORM & SHAFT ASSY.	1	
104	BR40901047	CASE, GEAR	1	
105	BR20901163	KEY A	2	
106	BR40403016	TURBOSHIFT	1	
107	BR21001048	BEARING 6207	1	
108	BR40605002	COPPER WORM GEAR	1	
109	BR21001049	BEARING 30207	1	
110	BR40504139	WASHER	1	
111	BR40504140	WASHER (BIG)	1	
112	BR40201082	TOP COVER	1	
113	BR40402068	VENT VALVE	1	
114	BR20308110	SOCKET CAP SCREW	8	
115	BR21101019	O-RING	1	
116	BR20308111	INNER HEXAGON COUNTERSUNK SCREW BLACK	1	
117	BR41201128	COVER	1	
118	BR21102004	HEXAGONAL HEAD PLUG	1	
119	BR21110007	OIL GAUGE	1	
120	BR20110019	DOWEL SCREW	4	
121	BR21106040	O-RING	1	
122	BR21103006	OUTER HEXAGONAL PLUG	1	
123	BR21105007	COPPER PAD	1	
124	BR54601101	GEAR BOX ASSY.	1	



BRPPT110H-BOM05-A

Item No.	Part No.	Description	qty	remarks
125	BR40101088C	WHEEL STAND	1	only for BRPPT110H
126	BR20501005	FLAT WASHER	2	
127	BR20405002	HEXAGONAL NUT M6	2	
128	BR20405004	LOCK NUT	2	
129	BR20501007	FLAT WASHER	2	
130	BR20102102	BOLT M8X25-GB5783	2	
131	BR20519010	FLAT WASHER	4	
132	BR21001085	BEARING	4	
133	BR41405033	Black wheel	2	
134	BR20805050	PIN	2	
135	BR41105018	RUBBER LOCATING BLOCK	1	
136	BR20306058	HEX HEAD SCREW	1	
137	BR20102054	BOLT M6X20-GB5783	1	
138	BR41105019	RUBBER LOCATING BLOCK	1	



Item No	Part No	Label	Meaning
139	BR70701002		<p>DANGER! Engines emit carbon monoxide; operate only in well-ventilated area. Read the Operation Manual for machine information. No sparks, flames, or burning objects near the machine. Shut off the engine before refueling. Use only clean, filtered unleaded gasoline.</p>
140	BR70701006		<p>CAUTION! Read and understand the supplied Operation Manual before operating the machine. Failure to do so increase the risk of injury to yourself or others.</p>
141	BR70701001		<p>WARNING! Always wear hearing and eye protection when operating the machine.</p>
142	BR70701004		<p>CAUTION! Lifting point.</p>
143	BR70701013		<p>CAUTION! Use only clean, filtered fuel.</p>

Item No	ERP No	Label	Meaning
144	BR70701009		WARNING! Hot surface!
145	BR70701010		WARNING! Hand injury if caught in moving belt. Always replace belt guard.
146	BR70701254		WARNING! Cutting hazard. Always replace blade guard!
147	BR70701337	<p>FIRE HAZARD</p> <ul style="list-style-type: none"> • Sparks can occur if blade/rotor strikes rocks, metal or other hard objects. • Do NOT use in high/very high fire hazard severity zones. • Operation of this equipment may create sparks that can start fires around dry vegetation. A spark arrestor may be required. The operator should contact local fire agencies for laws and regulations relating to fire prevention requirements. <p>PN 23501</p>	WARNING! Fire hazard.
148	BR70702103	<p>WARNING: This product can expose you to chemicals including soots, tars, and mineral oils, which are known to the State of California to cause cancer, and carbon monoxide, which is known to the State of California to cause birth defects or other reproductive harm. For more information go to www.P65Warnings.ca.gov.</p> <p>PN 794260_HEN</p>	WARNING! Exposure hazard.

BRAVE

A brand of Great Northern Equipment Distributing, Inc.
20195 South Diamond Lake Road, STE 100
Rogers, MN 55374
800-350-8739
www.braveproducts.com