

# MBRPMM106HA

ITEM NUMBERS: BRPMM106H, BRPMM206H,  
BRPMM108H, BRPMM208H

# BRAVE

## Operator's Safety & Service Manual Mortar & Plaster Mixer

### WARNING

READ and UNDERSTAND this manual completely, before using this Mortar & Plaster Mixer.

All operators of this equipment must read and completely understand all safety information, operating instructions, maintenance and storage instructions. Failure to properly operate and maintain this **Mortar & Plaster Mixer** could result in serious injury to the operator.

- **WARNING:** Wear appropriate protective gear. This list includes, but is not limited to:
  - A hard hat
  - Protective boots with slip resistant soles
  - Protective goggles
  - Heavy gloves
  - Hearing protection
- **DANGER:** Keep riders off machine. Riders can be seriously injured or killed by entanglement or by falling.
- **WARNING:** Rotating part hazard always stand clear of the dump handle when mixer is in operation. Any binding of material between mixer blades and the drum may cause drum handle to quickly move to the charge position.
- **WARNING:** LETHAL EXHAUST GAS! An internal combustion engine discharges carbon monoxide, which is a poisonous and odorless invisible gas. Death or serious illness may result if inhaled. Operate only in an area with good ventilation.
- **DANGER:** Use extreme caution when storing, handling and using fuels - they are highly volatile and explosive in the vapor state. Do not add fuel while engine is running. Stop and cool the engine before adding fuel.
- **WARNING:** Excessive towing speed can cause serious injuries or death. Do not exceed 45 mph. (73KM/HR)
- **WARNING:** Stop engine, disconnect spark plug wire and wait for all moving parts to stop before servicing, maintaining, cleaning or making any adjustments.
- **WARNING:** Do not place hands in the drum unless engine is off and spark plug is disconnected.
- **DANGER:** Do not smoke when refueling.
- **WARNING:** Stay away from hot engine components during operation.
- **WARNING:** Always attach safety chain when towing.
- **WARNING:** Install, close, and secure all guards, shields and hoods before operating.

### STOP!

**ADD OIL TO ENGINE BEFORE USING:** Engine is shipped without oil. DO NOT start engine without first adding oil.

**INSPECT COMPONENTS:** Closely inspect to make sure no components are missing or damaged.

See Initial Unpacking and assembly instructions and for whom to contact to report missing or damaged parts.

**Any Questions, Comments, Problems or Parts Orders**

Call BRAVE Product Support 1-800-350-8739

It is the OWNER'S RESPONSIBILITY to communicate information on the  
SAFE USE and OPERATION of this machine to the operators.

## TABLE OF CONTENTS

- 1. Serial Number Location..... 3
- 2. Parts Ordering Procedure ..... 3
- 3. Assembly Instructions ..... 4-6
- 4. Safety Precaution ..... 7
- 5. Safety Notice & Decals ..... 8-9
- 6. Safety Decal Location ..... 10-11
- 7. Before Operating..... 11-12
- 8. Operating Instructions ..... 12-13
- 9. Adding Fluids & Towing..... 13
- 10. Service Instructions ..... 14
- 11. Maintenance Schedule..... 14
- 12. Replacements..... 15
- 13. Equipment General Specs ..... 15-16
- 14. Torque Chart ..... 17
- 15. Parts Breakdown ..... 18-31
- 16. Warranty.....32
- 17. Warranty Registration.....33

## 1. SERIAL NUMBER LOCATION

The model/serial number decal is located on the shroud assembly (cowl).



(Write model number)



(Write serial number)

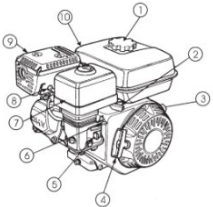
The unit year of manufacturing can be determined by its serial number. So, keep this information handy at all times, use your unit serial number when ordering parts.

This Unit warranty is stated in this Operational and Safety manual on page 32. Failure to return warranty registration card renders the warranty null and void.

An engine owner's manual is also attached to every unit. Engine parts must be order from any authorized HONDA dealer. Refer to the engine owner's manual lo learn about specifications and part identification.

## 2. PARTS ORDERING PROCEDURE:

Parts must be ordered through your local dealer or by contacting Brave Customer Service at 800-350-8739. If you can't locate a local dealer in your area visit us online at [www.braveproducts.com](http://www.braveproducts.com) to locate the nearest dealer.



All HONDA warranties and parts ordering must be through your Honda dealers. Please visit <https://engines.honda.com/dealer-locator> for more information.

**REMEMBER – You own the best Mixer. If repairs are needed, use only OEM purchased parts from authorized dealers.**

### ALWAYS HAVE READY:

1. Applicable model and serial number of machine(s).
2. Item part number(s), description, and quantity.

### 3. ASSEMBLY INSTRUCTIONS (MIXER STANDING ON END)

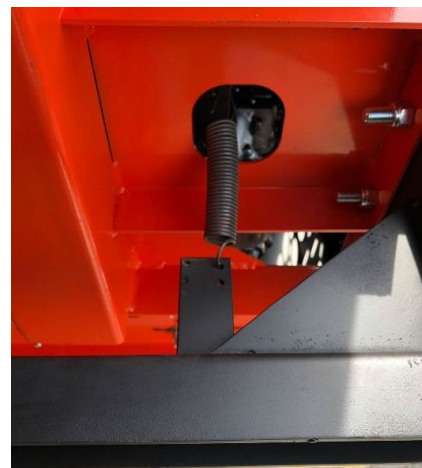
1. Fully unpack unit, cut straps, remove all cardboard, plastic wrap and all protecting packing material from unit.



#### You will see:

- (2) Wheels
- (1) Axle assembly with speed hubs and wheel lugs bolted on
- (1) Idler spring attached into axle tab
- (1) Towing hitch with quick pin and a hex bolt with nut
- (1) Dumping lever zip tied in the inside of the drum with hardware installed but not tight.

2. Once the mixer is unpacked proceed to attach the mixer's axle making sure that the axle spring tab lines up with the mixer frame hole on the engine base of the machine.
3. Proceed to fasten axle to mixer frame using appropriate tools. Tighten to 57 ft. lbs.
4. Once mixer axle is fastened, hook both ends of idler spring, the rounded end to the farthest out hole on axle and the oval end to the idler pulley (clutch) on the inside of the engine base.



5. Unscrew all (8) wheel lug nuts from axle wheel hubs and mount wheels making sure the air valve is facing outside.
6. Proceed to fasten wheel lug nut at no more than 105 ft. lbs.



7. Once wheels are fastened proceed to remove hardware that holds machine to pallet using a 9/16 wrench and/or deep socket.



8. Once pallet hardware is removed and using appropriate equipment, safely place the mixer upright on the tires/ground.

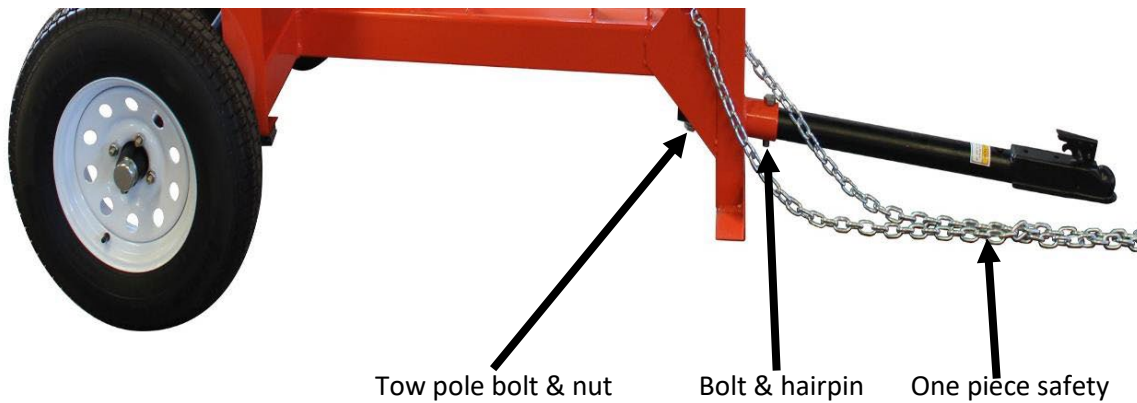


**Warning: failure to use proper lifting equipment could cause mixer to fall and cause serious injury.**

9. Once mixer is upright on the ground proceed to install the drum Dumping lever, make sure the ergonomic grip is facing right direction and outward for dumping.



10. Install mixer 2" ball coupling, tow pole assembly into mixer receiver and install bolt & nut in the hole behind the receiver and the bolt & hairpin through the receiver.



## 4. SAFETY PRECAUTIONS

READ AND STUDY THE FOLLOWING SAFETY INFORMATION BEFORE ATTEMPTING TO OPERATE THIS EQUIPMENT. IN ADDITION, ENSURE THAT EVERY INDIVIDUAL WHO OPERATES OR WORKS WITH THIS EQUIPMENT IS FAMILIAR WITH THESE SAFETY PRECAUTIONS.



### **WARNING - LETHAL EXHAUST GAS!**

An internal combustion engine discharges carbon monoxide, which is a poisonous and odorless invisible gas. Death or serious illness may result if inhaled. Operate only in an area with good ventilation.

**NEVER IN A CONFINED AREA!**

### **WARNING - DANGEROUS FUELS!**

Use extreme caution when storing, handling and using fuels - they are highly volatile and explosive in the vapor state. Do not add fuel while engine is running. Stop and cool the engine before adding fuel.

**DO NOT SMOKE WHEN REFUELING!**

### **SAFETY GUARDS**

It is the owner's responsibility to ensure **ALL GUARDS AND SHIELDS** are in place and in working order.

**DRESS SAFE - DO NOT WEAR** loose clothing, rings, wristwatches, etc., near machinery.

### **NOISE PROTECTION**

Wear O.S.H.A. specified hearing protection devices.

### **FOOT PROTECTION**

Wear O.S.H.A. specified steel tip safety shoes.

### **HEAD PROTECTION**

Wear O.S.H.A. specified safety helmets.

### **EYE PROTECTION**

Wear O.S.H.A. specified eyes shields, safety glasses, and sweat bands.

### **DUST PROTECTION**

Wear O.S.H.A. specified dust mask or respirator.

### **OPERATOR**

Keep children and bystanders off and away from the equipment.



For details on safety rules and regulations in the United States, contact your local Occupational Safety and Health Administration (O.S.H.A.) office. Equipment operated in other countries must be operated and serviced in accordance and compliance with any and all safety requirements of such country. The publication of these safety precautions is done for your information does not by the publication of these precautions, imply or in any way represent that these are the sum of all dangers present near equipment. If you are operating this unit it is your responsibility to ensure that such operation is in full accordance with all applicable safety requirements and codes. All requirements of the United States Federal Occupational Safety and Health Administration Act must be met when operated in areas that are under the jurisdiction of that United States Department.

## 5. SAFETY NOTICE & DECALS



### IMPORTANT NOTICE



The "SAFETY ALERT SYMBOL" is used to call attention to items or operations that may be dangerous to those operating or working with this equipment. These symbols can be found throughout the manual and on the unit itself. Please read these warnings and cautions carefully.

## READ SAFETY DECALS CAREFULLY

Carefully read and follow all safety decals. Keep them in good conditions. If they become aged, replace as required. If repainting, **REPLACE ALL** decals. Decals are available from your authorized dealers. Decals are not shown to scale.

**CAUTION**

WHEN TOWING, ENSURE DRAWBAR IS IN THE MIDDLE POSITION.

201012

**CAUTION**

2-PERSON LIFT REQUIRED TO POSITION MIXER HITCH ON/OFF VEHICLE

201155

**WARNING**

**ROTATING PART HAZARD**

ALWAYS STAND CLEAR OF THE DUMP HANDLE WHEN MIXER IS IN OPERATION. ANY BINDING OF MATERIAL BETWEEN MIXER BLADES AND THE DRUM MAY CAUSE DRUM HANDLE TO QUICKLY MOVE TO THE CHARGE POSITION.

201157

**NOTICE**

- ENSURE THE VEHICLE HAS TOWING CAPACITY FOR THE WEIGHT OF THIS MACHINE.
- DO NOT TOW MACHINE UNLESS THE DRAW BAR IS BOLTED IN PLACE AND THE SAFETY PIN IS SECURELY FASTENED.
- CLOSE ENGINE FUEL CUTOFF BEFORE TOWING MIXER TO PREVENT LEAKING OIL INTO ENGINE CRANKCASE.
- 2-PERSON LIFT PER UNIT TO POSITION MIXER ON VEHICLE.
- SECURELY ATTACH HITCH TO TOWING VEHICLE. ENSURE USE OF SAFETY PIN THROUGH LATCH OR HANDWHEEL FOR BALL TYPE HITCH.
- SAFETY CHAIN ATTACHMENT (SEE PICTURE) MUST CROSS UNDER THE DRAW BAR AND BE POSITIONED TO PREVENT THE DRAW BAR FROM DROPPING TO THE GROUND IN THE EVENT OF HITCH FAILURE.
- CONNECT LIGHTING PLUG/ELECTRIC BRAKE PLUG (WHEN APPLICABLE)
- MAKE CERTAIN THAT THE WHEEL LUG NUTS AND AXLE MOUNT HARDWARE IS TIGHTENED.
- CHECK PRESSURE AND OVERALL CONDITION OF TIRES.
- TEST BREAKS (IF APPLICABLE)

201150

**MIX**

201354

**WARNING:** This product can expose you to chemicals including soots, tars, and mineral oils, which are known to the State of California to cause cancer, and carbon monoxide, which is known to the State of California to cause birth defects or other reproductive harm. For more information go to [www.P65Warnings.ca.gov](http://www.P65Warnings.ca.gov).

PN 799546

**WARNING**

201005

EMERGENCY STOP  
PUSH TO STOP

201026



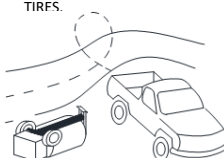
**WARNING**

**45 mi/hr.**

EXCESSIVE TOWING SPEED CAN CAUSE SERIOUS INJURIES OR DEATH.

**DO NOT EXCEED 45 MI/HR. (73 KM/HR.)**

- BE CERTAIN THAT THE WHEEL LUG NUTS AND AXLE MOUNTING HARDWARE ARE TIGHTENED.
- CHECK PRESSURE AND OVERALL CONDITIONS OF TIRES.



201151

**WARNING**

1. READ AND UNDERSTAND OPERATOR'S MANUAL AND SAFETY SIGNS BEFORE STARTING.
2. STOP ENGINE, DISCONNECT SPARK PLUG WIRE AND WAIT FOR ALL MOVING PARTS TO STOP BEFORE SERVICING, MAINTAINING, ADJUSTING OR CLEANING.
3. KEEP HANDS, FEET, HAIR OR CLOTHING AWAY FROM MOVING PARTS.
4. INSTALL, CLOSE AND SECURE ALL GUARDS, SHIELDS AND HOODS BEFORE OPERATING.
5. DO NOT PLACE HANDS IN THE DRUM UNLESS ENGINE IS OFF AND SPARK PLUG IS DISCONNECTED OR MOTOR IS OFF AND POWER CORD IS UNPLUGGED.
6. STAY AWAY FROM HOT ENGINE COMPONENTS DURING OPERATION
7. HAVE A LICENCED ELECTRICIAN WIRE UP ELECTRIC MOTORS.
8. DO NOT SMOKE WHEN REFUELING.
9. USE POWER CORD WITH REQUIRED CAPACITY TO CARRY POWER TO ELECTRIC MOTOR.
10. FOLLOW GOOD SAFETY PROCEDURES WHEN HANDLING FUEL.
11. ROUTE THE POWER CORD OUT OF THE WAY & PROTECT IT FROM DAMAGE.
12. DO NOT OPERATE IN AN EXPLOSIVE ATMOSPHERE OR A POORLY VENTILATED AREA WITHOUT ADEQUATE VENTILATION.
13. KEEP WORKING AREAS DRY AND CLEAN TO PREVENT SLIPPING AND TRIPPING.
14. ALWAYS ATTACH SAFETY CHAIN WHEN TOWING.
15. COMPLY WITH APPLICABLE TRANSPORTING REGULATIONS WHEN TOWING.
16. DO NOT ALLOW RIDERS DURING TRANSPORTING.
17. DO NOT EXCEED A SAFETY TRAVEL SPEED WHEN TRANSPORTING. SLOW DOWN FOR CORNERS AND WHEN GOING OVER ROUGH TERRAIN.

201001

**CHECK LIST**

- CHECK AND TIGHTEN WHEN NECESSARY ALL NUTS AND BOLTS.
- CHECK MIXER PADDLE AND WIPERS ADJUSTMENTS AND TIGHTEN PADDLE BOLTS.
- GREASE ALL FITTINGS – GREASE DRUM SEALS TO AVOID DOWN TIME ON REPAIRS.
- CHECK BELT ADJUSTMENT AND TIGHTEN BELT IF NECESSARY.
- CHECK TIRE PRESSURE. INFLATE 12" AND 13" TO 30 PSI. 8" TIRES TO 45 PSI. WHEEL LUG TORQUE MUST BE 105 LBF.
- ENSURE THE DRUM LOCK AND HOOD FASTENER ARE IN LOCKED POSITION BEFORE TRANSPORTATION.

290791

**WARNING**



IMPROPER OPERATION OF THIS EQUIPMENT CAN CAUSE SERIOUS INJURY OR DEATH. READ OPERATOR'S MANUAL SUPPLIED WITH THIS MACHINE BEFORE OPERATION OR SERVICING. MODIFICATION OR ALTERATION OF THIS MACHINE WILL VOID MANUFACTURER'S WARRANTY. DO NOT ALTER OR MODIFY THIS MACHINE WITHOUT THE EXPRESS WRITTEN CONSENT OF THE MANUFACTURER.

201154

**WARNING**

**MISSING GUARD HAZARD**

INSTALL, CLOSE AND SECURE ALL GUARDS, SHIELDS AND HOODS BEFORE OPERATING.

201004

**WARNING**



**ROTATING PART HAZARD**

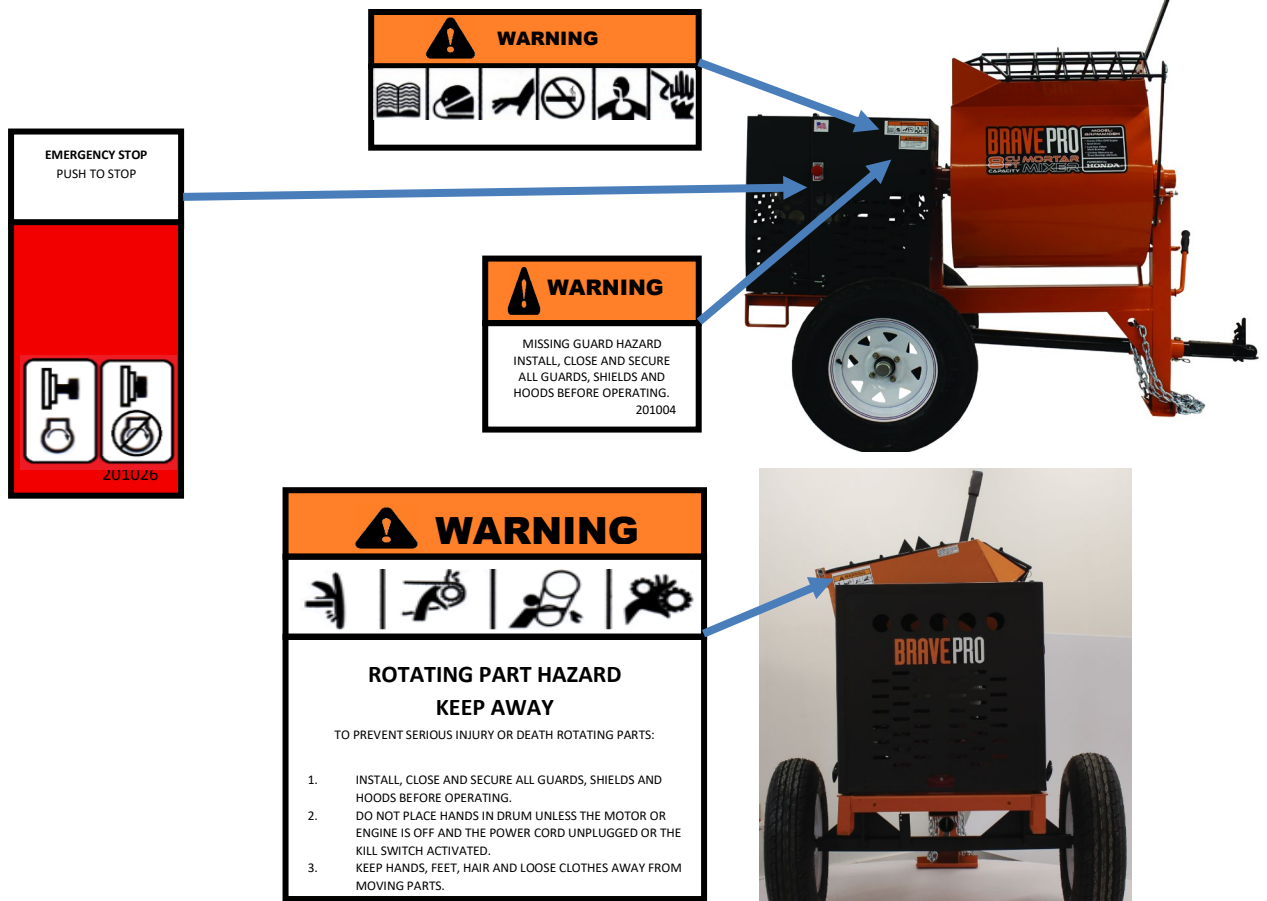
**KEEP AWAY**

TO PREVENT SERIOUS INJURY OR DEATH ROTATING PARTS:

1. INSTALL, CLOSE AND SECURE ALL GUARDS, SHIELDS AND HOODS BEFORE OPERATING.
2. DO NOT PLACE HANDS IN DRUM UNLESS THE MOTOR OR ENGINE IS OFF AND THE POWER CORD UNPLUGGED OR THE KILL SWITCH ACTIVATED.
3. KEEP HANDS, FEET, HAIR AND LOOSE CLOTHES AWAY FROM MOVING PARTS.

201003

## 6. DECAL LOCATION





**WARNING**

1. READ AND UNDERSTAND OPERATOR'S MANUAL AND SAFETY SIGNS BEFORE STARTING.
2. STOP ENGINE, DISCONNECT SPARK PLUG WIRE AND WAIT FOR ALL MOVING PARTS TO STOP BEFORE SERVICING, MAINTAINING, ADJUSTING OR CLEANING.
3. KEEP HANDS, FEET, HAIR OR CLOTHING AWAY FROM MOVING PARTS.
4. INSTALL, CLOSE AND SECURE ALL GUARDS, SHIELDS AND HOODS BEFORE OPERATING.
5. DO NOT PLACE HANDS IN THE DRUM UNLESS ENGINE IS OFF AND SPARK PLUG IS DISCONNECTED OR MOTOR IS OFF AND POWER CORD IS UNPLUGGED.
6. STAY AWAY FROM HOT ENGINE COMPONENTS DURING OPERATION
7. HAVE A LICENCED ELECTRICIAN WIRE UP ELECTRIC MOTORS.
8. DO NOT SMOKE WHEN REFUELING.
9. USE POWER CORD WITH REQUIRED CAPACITY TO CARRY POWER TO ELECTRIC MOTOR.
10. FOLLOW GOOD SAFETY PROCEDURES WHEN HANDLING FUEL.
11. ROUTE THE POWER CORD OUT OF THE WAY & PROTECT IT FROM DAMAGE.
12. DO NOT OPERATE IN AN EXPLOSIVE ATMOSPHERE OR A POORLY VENTILATED AREA WITHOUT ADEQUATE VENTILATION.
13. KEEP WORKING AREAS DRY AND CLEAN TO PREVENT SLIPPING AND TRIPPING.
14. ALWAYS ATTACH SAFETY CHAIN WHEN TOWING.
15. COMPLY WITH APPLICABLE TRANSPORTING REGULATIONS WHEN TOWING.
16. DO NOT ALLOW RIDERS DURING TRANSPORTING.
17. DO NOT EXCEED A SAFETY TRAVEL SPEED WHEN TRANSPORTATING. SLOW DOWN FOR CORNERS AND WHEN GOING OVER ROUGH TERRAIN.

201001

**WARNING**

IMPROPER OPERATION OF THIS EQUIPMENT CAN CAUSE SERIOUS INJURY OR DEATH. READ OPERATOR'S MANUAL SUPPLIED WITH THIS MACHINE BEFORE OPERATION OR SERVICING. MODIFICATION OR ALTERATION OF THIS MACHINE WILL VOID MANUFACTURER'S WARRANTY. DO NOT ALTER OR MODIFY THIS MACHINE WITHOUT THE EXPRESS WRITTEN CONSENT OF THE MANUFACTURER.

201154

**CHECK LIST**

- CHECK AND TIGHTEN WHEN NECESSARY ALL NUTS AND BOLTS.
- CHECK MIXER PADDLE AND WIPERS ADJUSTMENTS AND TIGHTEN PADDLE BOLTS.
- GREASE ALL FITTINGS – GREASE DRUM SEALS TO AVOID DOWM TIME ON REPAIRS.
- CHECK BELT ADJUSTMENT AND TIGHTEN BELT IF NECESSARY.
- CHECK TIRE PRESSURE. INFLATE 12" AND 13" TO 30 PSI. 8" TIRES TO 45 PSI.
- ENSURE THE DRUM LOCK AND HOOD FASTENER ARE IN LOCKED POSITION BEFORE TRANSPORTATION.

290791

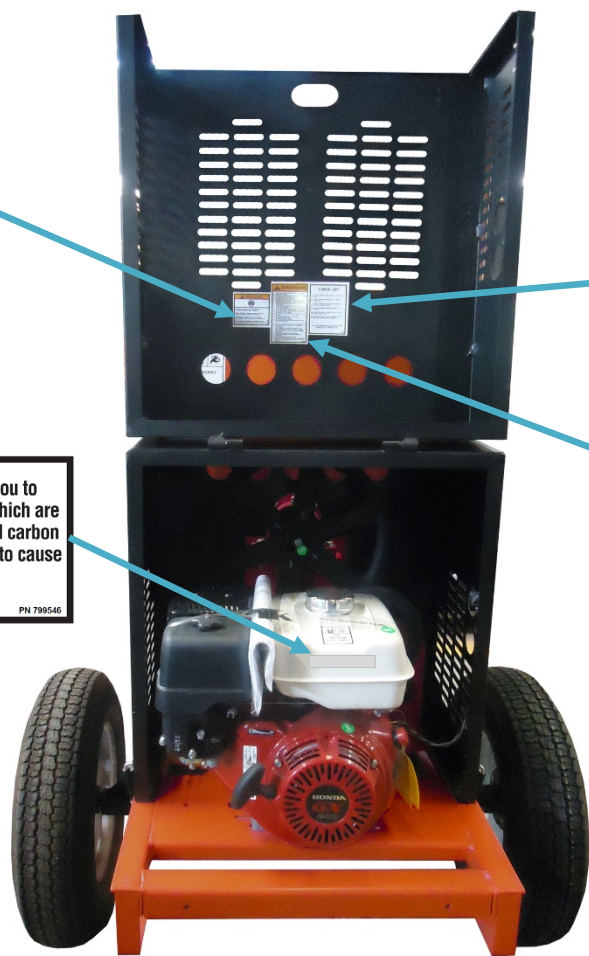
**WARNING:** This product can expose you to chemicals including soots, tars, and mineral oils, which are known to the State of California to cause cancer, and carbon monoxide, which is known to the State of California to cause birth defects or other reproductive harm. For more information go to [www.P65Warnings.ca.gov](http://www.P65Warnings.ca.gov).

PN 799546

**WARNING**

1. READ AND UNDERSTAND OPERATOR'S MANUAL AND SAFETY SIGNS BEFORE STARTING.
2. STOP ENGINE, DISCONNECT SPARK PLUG WIRE AND WAIT FOR ALL MOVING PARTS TO STOP BEFORE SERVICING, MAINTAINING, ADJUSTING OR CLEANING.
3. KEEP HANDS, FEET, HAIR OR CLOTHING AWAY FROM MOVING PARTS.
4. INSTALL, CLOSE AND SECURE ALL GUARDS, SHIELDS AND HOODS BEFORE OPERATING.
5. DO NOT PLACE HANDS IN THE DRUM UNLESS ENGINE IS OFF AND SPARK PLUG IS DISCONNECTED OR MOTOR IS OFF AND POWER CORD IS UNPLUGGED.
6. STAY AWAY FROM HOT ENGINE COMPONENTS DURING OPERATION
7. HAVE A LICENCED ELECTRICIAN WIRE UP ELECTRIC MOTORS.
8. DO NOT SMOKE WHEN REFUELING.
9. USE POWER CORD WITH REQUIRED CAPACITY TO CARRY POWER TO ELECTRIC MOTOR.
10. FOLLOW GOOD SAFETY PROCEDURES WHEN HANDLING FUEL.
11. ROUTE THE POWER CORD OUT OF THE WAY & PROTECT IT FROM DAMAGE.
12. DO NOT OPERATE IN AN EXPLOSIVE ATMOSPHERE OR A POORLY VENTILATED AREA WITHOUT ADEQUATE VENTILATION.
13. KEEP WORKING AREAS DRY AND CLEAN TO PREVENT SLIPPING AND TRIPPING.
14. ALWAYS ATTACH SAFETY CHAIN WHEN TOWING.
15. COMPLY WITH APPLICABLE TRANSPORTING REGULATIONS WHEN TOWING.
16. DO NOT ALLOW RIDERS DURING TRANSPORTING.
17. DO NOT EXCEED A SAFETY TRAVEL SPEED WHEN TRANSPORTATING. SLOW DOWN FOR CORNERS AND WHEN GOING OVER ROUGH TERRAIN.

201001



**WARNING**

45 mi/hr.

EXCESSIVE TOWING SPEED CAN CAUSE SERIOUS INJURIES OR DEATH.  
DO NOT EXCEED 45 MI/HR. (73 KM/HR.)

- BE CERTAIN THAT THE WHEEL LUG NUTS AND AXLE MOUNTING HARDWARE ARE TIGHTENED.
- CHECK PRESSURE AND OVERALL CONDITIONS OF TIRES.

201151

**NOTICE**

- ENSURE THE VEHICLE HAS TOWING CAPACITY FOR THE WEIGHT OF THIS MACHINE.
- DO NOT TOW MACHINE UNLESS THE DRAW BAR IS BOLTED IN PLACE AND THE SAFETY PIN IS SECURELY FASTENED.
- CLOSE ENGINE FUEL CUTOFF BEFORE TOWING MIXER TO PREVENT LEAKING OIL INTO ENGINE CRANKCASE.
- 2-PERSON LIFT PER UNIT TO POSITION MIXER ON VEHICLE.
- SECURELY ATTACH HITCH TO TOWING VEHICLE. ENSURE USE OF SAFETY PIN THROUGH LATCH OR HANDWHEEL FOR BALL TYPE HITCH.
- SAFETY CHAIN ATTACHMENT (SEE PICTURE) MUST CROSS UNDER THE DRAW BAR AND BE POSITIONED TO PREVENT THE DRAW BAR FROM DROPPING TO THE GROUND IN THE EVENT OF HITCH FAILURE.
- CONNECT LIGHTING PLUG/ELECTRIC BRAKE PLUG (WHEN APPLICABLE)
- MAKE CERTAIN THAT THE WHEEL LUG NUTS AND AXLE MOUNT HARDWARE IS TIGHTENED.
- CHECK PRESSURE AND OVERALL CONDITION OF TIRES. TEST BREAKS (IF APPLICABLE)

201150



**WARNING**

**ROTATING PART HAZARD  
KEEP AWAY**

TO PREVENT SERIOUS INJURY OR DEATH ROTATING PARTS:

- INSTALL, CLOSE AND SECURE ALL GUARDS, SHIELDS AND HOODS BEFORE OPERATING.
- DO NOT PLACE HANDS IN DRUM UNLESS THE MOTOR OR ENGINE IS OFF AND THE POWER CORD UNPLUGGED OR THE KILL SWITCH ACTIVATED.
- KEEP HANDS, FEET, HAIR AND LOOSE CLOTHES AWAY FROM MOVING PARTS.

201003

**WARNING**

**ROTATING PART HAZARD**

ALWAYS STAND CLEAR OF THE DUMP HANDLE WHEN MIXER IS IN OPERATION. ANY BINDING OF MATERIAL BETWEEN MIXER BLADES AND THE DRUM MAY CAUSE DRUM HANDLE TO QUICKLY MOVE TO THE CHARGE POSITION.

201157

**CAUTION**

2-PERSON LIFT REQUIRED TO POSITION MIXER ON/OFF VEHICLE	MIXER	HITCH
	201155	

**CAUTION**

WHEN TOWING, ENSURE DRAWBAR IS IN THE MIDDLE POSITION.

201012

## 7. BEFORE OPERATING

- **REMEMBER!** It is the owner's responsibility to communicate information on the safe use and proper operation of this unit to the operators.
- Before operating, review SAFETY PRECAUTIONS listed on page 7 of this manual.
- Familiarize yourself with the operation of the unit and confirm that all controls function properly BEFORE starting engine.
- Locate the kill switch and assure you know how to STOP the unit.
- Make sure hands, feet, and clothing are at a safe distance from any moveable parts prior to starting.
- Shrouds and grids are provided to protect the operator or structures in close proximity to rotating hot engine parts. It is the **RESPONSIBILITY OF THE OPERATOR** to see that they are properly in place.
- OIL LEVEL - Check the oil level in the engine. For more information see "Lubrication" under the engine "Owner's Manual" the "Maintenance" section of this manual.



All mixers come without oil in **ENGINE AND GEAR REDUCER COMPARTMENT. GX240 ENGINES W/ 6:1 REDUCER BOX** has **TWO (2)** oil compartments. Running an engine without lubrication may damage this unit.

- AIR CLEANER - Check to ensure elements are in good condition and properly installed.
- Review every decal with the OPERATOR.
- FUEL SUPPLY – Mixer engines require an automotive grade of clean, fresh, unleaded gasoline. **All mixers come WITHOUT gasoline, oil or any other fluid.**
- LUBRICATION POINTS - Make sure all pillow blocks and drum's trunnions have been properly greased.
- PADDLES AND BLADES - Check the paddles wipers and make sure they are adjusted to about 3/16" interference with the drum. This is mandatory after installing rubber blades on the paddles. Wipers can be adjusted at a desired position.

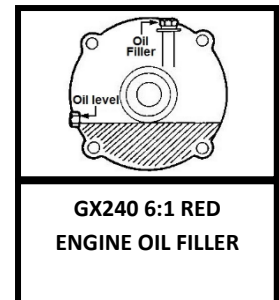
## 8. OPERATION INSTRUCTIONS

Prior to starting engine, make sure mixer engagement lever is in the "IDLE" POSITION, and drum is complete lock on its mix/tow position.

### Check Gas engine

1. Open the fuel valve.
2. Pull the stop switch on the engine shroud to its "Out" position.
3. Move the engine throttle control to the "FAST" position.
4. Move Choke lever to the choke position, located on the engine.
5. Pull the starter recoil briskly.
6. After the engine starts, move the choke lever to the open position, move the throttle level to the "IDLE" position and let the engine warm-up for one or two minutes.

**IMPORTANT**  
Engine warranty is void if the engine is run without oil.



### Check Electric motor

1. Plug the motor into a suitable power source, according to the motor specs.
2. Move the switch on the motor to the "on" position.

### OPERATING

1. Make sure the engagement lever is on the "IDLER" position.
2. Make sure the drum is locked in to avoid drum from flipping over before running engine.
3. Pull the stop switch on the engine shroud to its "Out" position.
4. Pull the engine starter recoil briskly.
5. Close the engine shroud



**DO NOT OPERATE THE MIXER WITH THE SHROUD OPEN!**

6. Move the engagement lever into the "MIX" position and load the mixer.



**Do not pour material** before paddles are spinning, this can result on mixer damage and will void the unit warranty.

7. After loading a batch of mortar, it is recommended to add water before adding a second bag.
8. After discharging the final batch of mortar, add water to the drum while the mixer is running. Discharge the water after to clean excess material.
9. Additional cleaning may be needed.

## 9. ADDING FLUIDS AND TOWING

### GAS ENGINE

1. Move the engagement lever to the "IDLER" position and lock drum.
2. Turn the stop switch to the off position located on the engine shroud.
3. Close the fuel valve, located on engine.
4. Add oil, if needed to continue operation / Drain oil if need oil change.
5. Add gasoline if needed.



### STOP THE ENGINE OR ELECTRIC MOTOR BEFORE:

1. Adding fuel/Oil.
2. Leaving equipment unattended for any amount of time.
3. Making any repairs or adjustments to the unit.
4. Transportation.



### BEFORE TOWING:

1. Make sure the axle and tow bar hardware are tight.
2. Check the condition of the pin on the tow bar and make sure it is secured.
3. Remove any loose debris from the mixer.
4. Use safety chains when towing.

### TOWING:

1. Stop the engine or electric motor.
2. Close and hook the engine should.
3. Rotate the drum into the tow position and secured it with the locking pin.
4. Secure the mixer hitch and safety chains to the vehicle.



**MAXIMUM TOW SPEED: 45 mph (72 Km/h)**

## 10. SERVICE INSTRUCTIONS

- Never service or lubricate the unit engine while running.
- After servicing the unit, restore and fasten all guards, shields, and covers to their original positions.
- Never drain oil into the ground, into open streams, or down sewage drains.

### ENGINE

See engine owner's manual maintenance schedule.

If lost please visit <https://engines.honda.com/parts-and-support/owners-manuals> for more information.

### DRUM

1. Wash the drum after every day's usage.
2. Pull the locking pin and tip the drum forward to drain water excess.
3. Leave mixer drum facing down to avoid rainwater, snow, dust or any other weather particles to get inside the mixer drum when not in use.
4. Secure with locking pin before moving mixer for towing or storing.

### LUBRICATION

1. Grease all fittings daily. All mixers have 6 grease fittings, 4 pillow blocks and 2 drum trunnions. Two of the fittings are located at each end of the mixer drum on the top of pillow blocks and trunnions.  
The two remaining grease fittings are located under the engine shroud on the top of the intermediate shaft pillow blocks.
2. Electric mixers only: oil the drive chain once a week.

## 11. MAINTENANCE SCHEDULE

	<i>Maintenance</i>	<i>Each use</i>	<i>Every 20 hours</i>	<i>Every 50 hours</i>	<i>Every 100 hours</i>	<i>Yearly</i>
Engine	Refer to engine operator/owner manual	X				X
Bearings	Grease	X				X
V-Belts	Check for excessive wear		X			X
Hardware	Check and tighten 1,2		X	X		X
Tires	Check air pressure	X				

1. Check all hardware after the first 5 hours of use, then follow the maintenance schedule.
2. Re-torque the front leg and axle hardware after the first 50 miles traveled, and then follow the maintenance schedule.

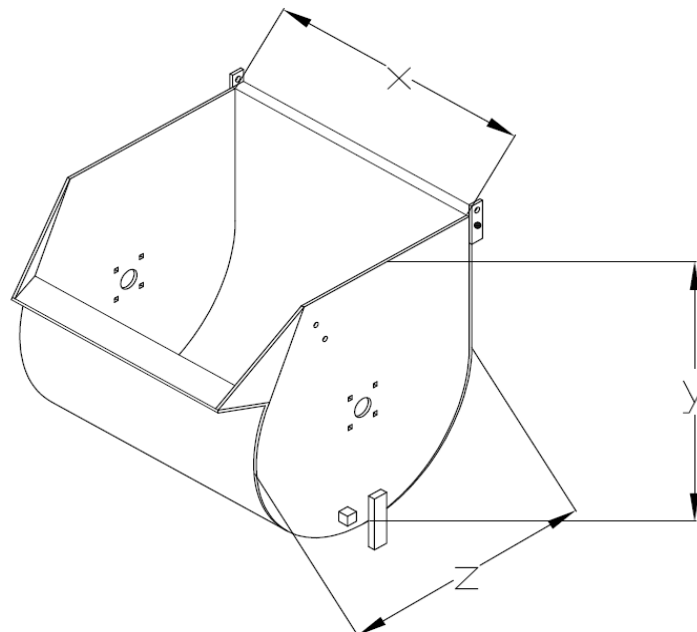
## 12. REPLACEMENT

Parts	Tolerance or Replacement Cycle
<u>Engine Components</u>	✓ Refer to your engine manufacturer's Owner's Manual
<u>V-Belts</u>	✓ Replace if stretched to the point that the idler does not work properly. Replace the V-belts if they are cracked or torn.
<u>Gears</u>	✓ Replace if the teeth are cracked or have become sharp.
<u>Hardware</u>	✓ Re-torque all bolts after the first eight hours of operation and check hardware every 25 hours. Replace any worn or damaged hardware as needed. Replacement hardware should be grade 5 and zinc plated.
<u>Safety Decals</u>	✓ Replace if they become aged, damaged or cannot be easily read.

## 13. EQUIPMENT SPECS

BRPMM Gas RPM = 31.15

	X	Y	Z
BRPMM106H	28"	27-11/16"	24-1/16"
BRPMM108H	28"	30-3/4"	27-1/2"



<b>MODEL – Steel Drum</b>	<b>BRPMM106H</b>	<b>BRPMM108H</b>
<b>Batch Capacity bags</b>	1 - 2 bags	2½ - 3 bags
<b>Total Capacity cu.ft. (Lt)</b>	7.21 cu. ft (204)	9.45 cu. ft (267)
<b>Mixing Capacity cu.ft. (Lt)</b>	6 cu. ft (170)	8 cu. ft (230)
<b>Engine Power</b>	Honda GX240	Honda GX240
<b>Drive System</b>	V-Belt to Gears	V-Belt to Gears
<b>Wheel Size</b>	12 x 4.8 High - Speed	13 x 6.5 High - Speed
<b>Overall Width in (cm)</b>	45" (114)	51" (129)
<b>Length (tow pole in) in (cm)</b>	76" (193)	76" (193)
<b>Overall Height in (cm)</b>	55" (140)	58" (147)
<b>Operating Weight lbs. (Kg)</b>	683 lbs. (309)	772 lbs. (350)
<b>Drum Wrap Drum End Plates</b>	1/8" Wrap 3/16" Ends	1/8" Wrap 3/16" Ends
<b>Drum size ends</b>	24" drum end 28" end to end	27-1/4" drum end 28" end to end
<b>Drum Thickness upgrade available up to</b>	1/4" Whole Wrap	1/4" Whole Wrap
<b>Spiral Blade</b>	Optional	Optional

<b>MODEL – Poly Drum</b>	<b>BRPMM206H</b>	<b>BRPMM208H</b>
<b>Batch Capacity bags</b>	2 - 2½ bags	2½ - 3 bags
<b>Capacity cu.ft. (Lt)</b>	6 cu. ft (170)	8 cu. ft (230)
<b>Engine Power</b>	Honda GX240	Honda GX240
<b>Drive System</b>	V-Belt to Gears	V-Belt to Gears
<b>Wheel Size</b>	12 x 4.8 High - Speed	13 x 6.5 High - Speed
<b>Overall Width in (cm)</b>	45" (114)	51" (129)
<b>Length (tow pole in) in (cm)</b>	76" (193)	76" (193)
<b>Overall Height in (cm)</b>	55" (140)	58" (147)
<b>Operating Weight lbs. (Kg)</b>	500 lbs. (226)	580 lbs. (263)
<b>Spiral Blade</b>	N/A	N/A
<b>Drum Thickness</b>	3/8"	3/8"



## 14. TORQUE CHART

### APROXIMATE TIGHTENING TORQUE

<u>SIZE</u>	<u>GRADE 2</u>	<u>GRADE 5</u>	<u>GRADE 8</u>
# 10-24	21 in-lbs	32 in-lbs	45 in-lbs
# 10-32	23 in-lbs	36 in-lbs	51 in-lbs
1/4-20	49 in-lbs	76 in-lbs	9 in-lbs
1/4-28	56 in-lbs	87 in-lbs	10 in-lbs
5/16-18	8 in-lbs	13 in-lbs	18 in-lbs
5/16-24	9 in-lbs	14 in-lbs	20 in-lbs
3/8-16	15 in-lbs	23 in-lbs	33 in-lbs
3/8-24	17 in-lbs	26 in-lbs	37 in-lbs
7/16-14	24 in-lbs	37 in-lbs	52 in-lbs
7/16-20	27 in-lbs	41 in-lbs	58 in-lbs
1/2-13	37 in-lbs	57 in-lbs	80 in-lbs
1/2-20	41 in-lbs	64 in-lbs	90 in-lbs
9/16-12	53 in-lbs	82 in-lbs	115 in-lbs
9/16-18	59 in-lbs	82 in-lbs	129 in-lbs
5/8-11	73 in-lbs	112 in-lbs	159 in-lbs
5/8-18	83 in-lbs	112 in-lbs	180 in-lbs
3/4-10	129 in-lbs	223 in-lbs	282 in-lbs
3/4-16	144 in-lbs	200 in-lbs	315 in-lbs
7/8-9	125 in-lbs	322 in-lbs	454 in-lbs
7/8-14	138 in-lbs	355 in-lbs	501 in-lbs

### APROXIMATE TIGHTENING TORQUE

<u>SIZE</u>	<u>GRADE 2</u>	<u>GRADE 5</u>	<u>GRADE 8</u>
1-8	188 ft-lbs	483 ft-lbs	682 ft-lbs
1-12	205 ft-lbs	529 ft-lbs	746 ft-lbs
1-14	210 ft-lbs	541 ft-lbs	764 ft-lbs
1-1/8-7	266 ft-lbs	596 ft-lbs	966 ft-lbs
1-1/8-12	297 ft-lbs	668 ft-lbs	1083 ft-lbs
1-1/4-7	375 ft-lbs	840 ft-lbs	1363 ft-lbs
1-1/4-12	415 ft-lbs	930 ft-lbs	1509 ft-lbs
1-3/8-6	491 ft-lbs	1102 ft-lbs	1787 ft-lbs
1-3/8-12	559 ft-lbs	1254ft-lbs	2034 ft-lbs
1-1/2-6	652 ft-lbs	1462ft-lbs	2371 ft-lbs
1-1/2-12	734 ft-lbs	1645ft-lbs	2668 ft-lbs
M 6	3 ft-lbs	4 ft-lbs	7 ft-lbs
M 8	6 ft-lbs	10 ft-lbs	18 ft-lbs
M 10	10 ft-lbs	20 ft-lbs	30 ft-lbs

#### CONVERSIONS

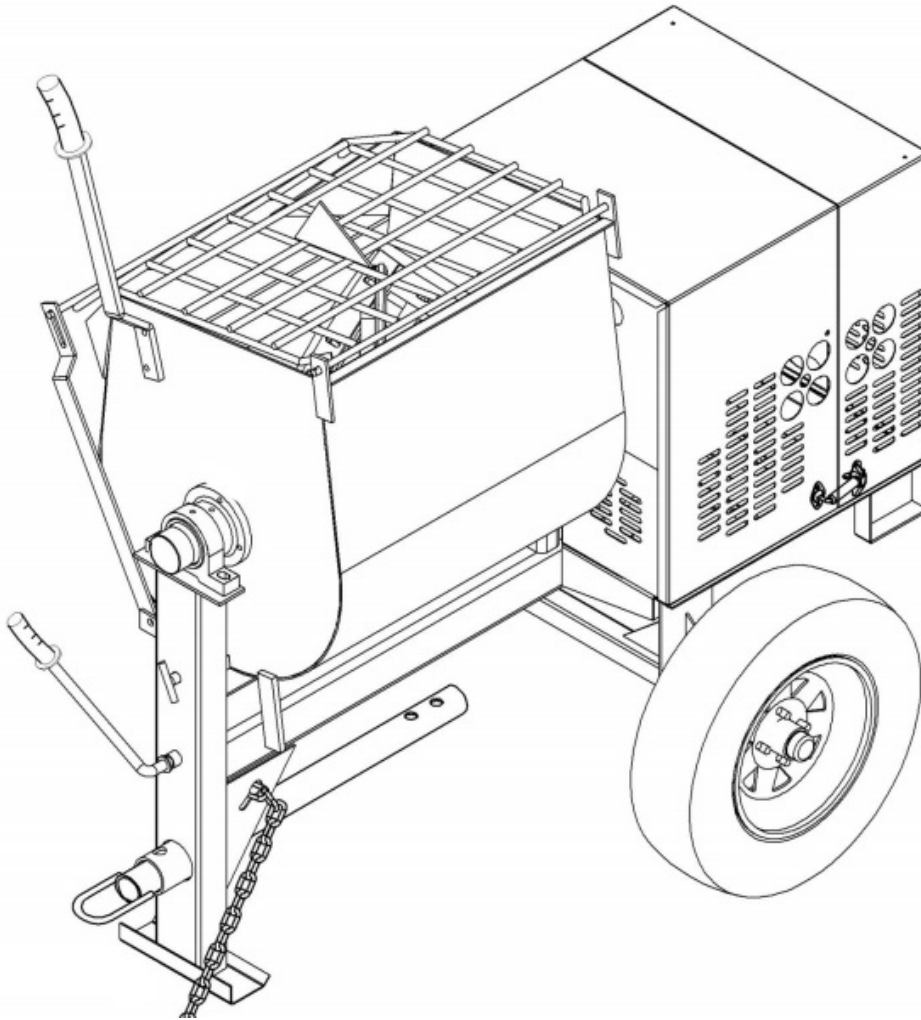
in - lbs x 0.083 = ft-lbs

ft - lbs x 12 = in-lbs

ft - lbs x 0.1383 = kg-m

ft - lbs x 1.3558 = N-m

## PARTS BREAKDOWN



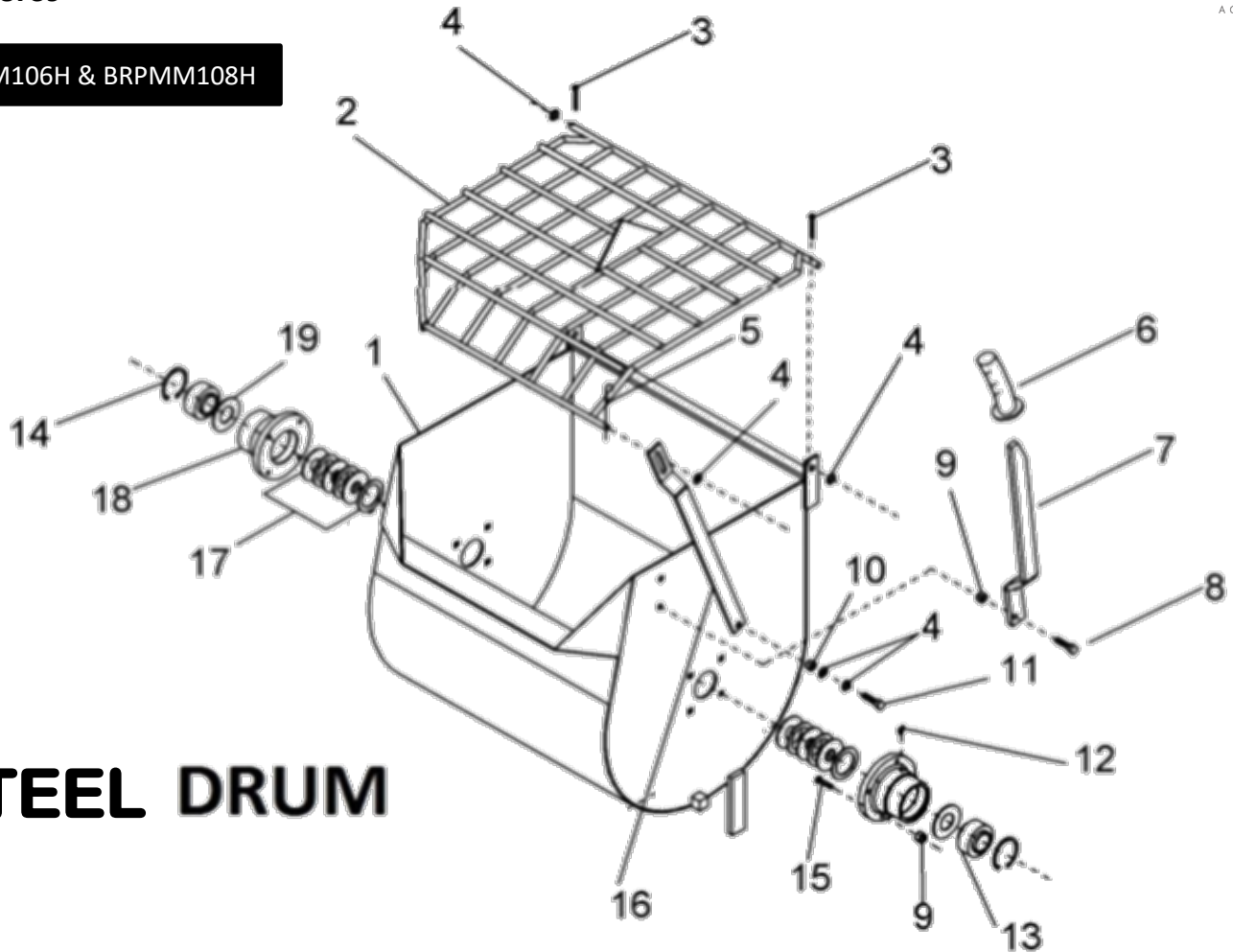
BRPMM106H & BRPMM108H

**STEEL DRUM – Pages 19-24**

BRPMM206H & BRPMM208H

**POLY DRUM – Pages 25-30**

BRPMM106H &amp; BRPMM108H

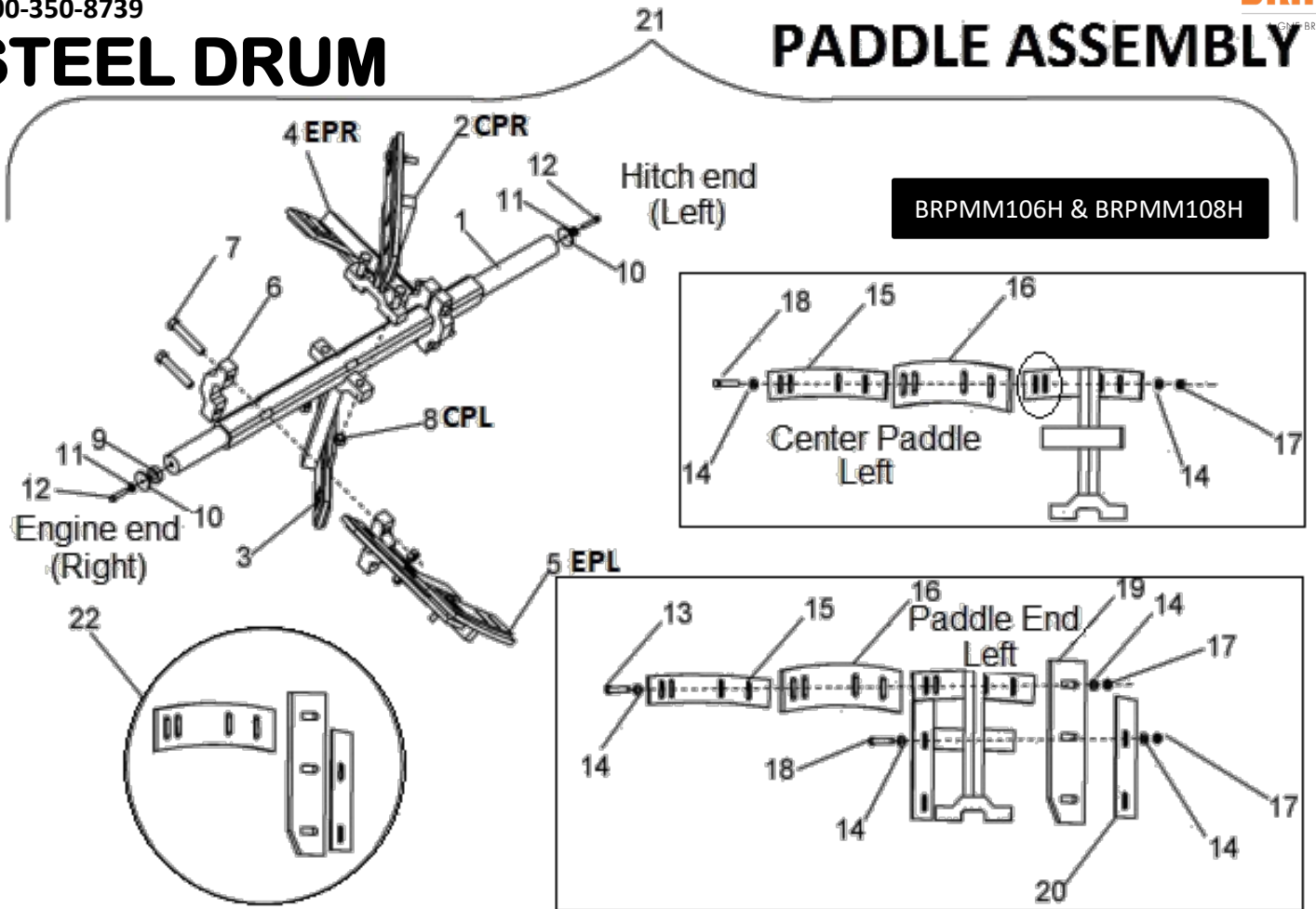


# STEEL DRUM

ITEM	PART #	DESCRIPTION	BRPMM106H	BRPMM108H
1	0201CO01TQ	DRUM MM6 (27-3/4")	1	
1	0201KI01TQ	DRUM ASSY COMPLETE MM6 (27-3/4")	1	
1	0202CO01TQ	DRUM MM8 (27-3/4")		1
1	0202KI01TQ	DRUM ASSEMBLY COMPLETE MM8 (27-3/4")		1
2	0201CO01RJ	DRUM GRID WITH BAG CUTTER MM6	1	
2	0202CO01RJ	DRUM GRID WITH BAG CUTTER MM8		1
3	SC3116200GAL	GRID PIN COTTER, 3/16" X 2"	2	2
4	RNPX012GAL	PLAIN WASHER 1/2"	5	5
5	SR00036EXT	GRID/HITCH HAIR LOCK PIN 3/16"	3	3
6	0000RF01RJ	DUMPING & CONTROL HANDLE GRIP	1	1
7	0200CO01TQ	DRUM DUMPINHG HANDLE SOLD WITH GRIP	1	1
8	TOCD038112	HEX HEAD SCREW 3/8" X 1-1/2"	2	2
9	TCCS038GAL	LOCK NUT HEX, 3/8"	10	10
10	TCCS012GAL	HEX LOCKNUT 1/2"	1	1
11	TOCD012134	HEX HEAD CAP SCREW 1/2" X 1-3/4"	1	1
12	0000GRH045	BEARING FITTING GREASE 45 DEG	2	2
13	0000BA20824	DRUM TRUNNION BRG KIT W/ FITTING GREASE	2	2
14	SM00300INT	DRUM TRUNNION RETAINING RING 3"	2	2
15	TOCL038112	DRUM TRUNNION CARRIAGE BOLT 3/8" x 1-1/2"	8	8
16	0200SO01RJ	DRUM DUMPING LOCK BAR	1	1
17	0200KI01TN	DRUM HUB SEALS KIT (ONE END)	2	2
18	0200CO01TN	4 HOLES DRUM TRUNNION FOR 3/8" HEX SCREWS	1	1
19	0200LA01TN	DRUM HUB STEEL SEALS	2	2

# STEEL DRUM

# PADDLE ASSEMBLY



**BRPMM106H & BRPMM108H**

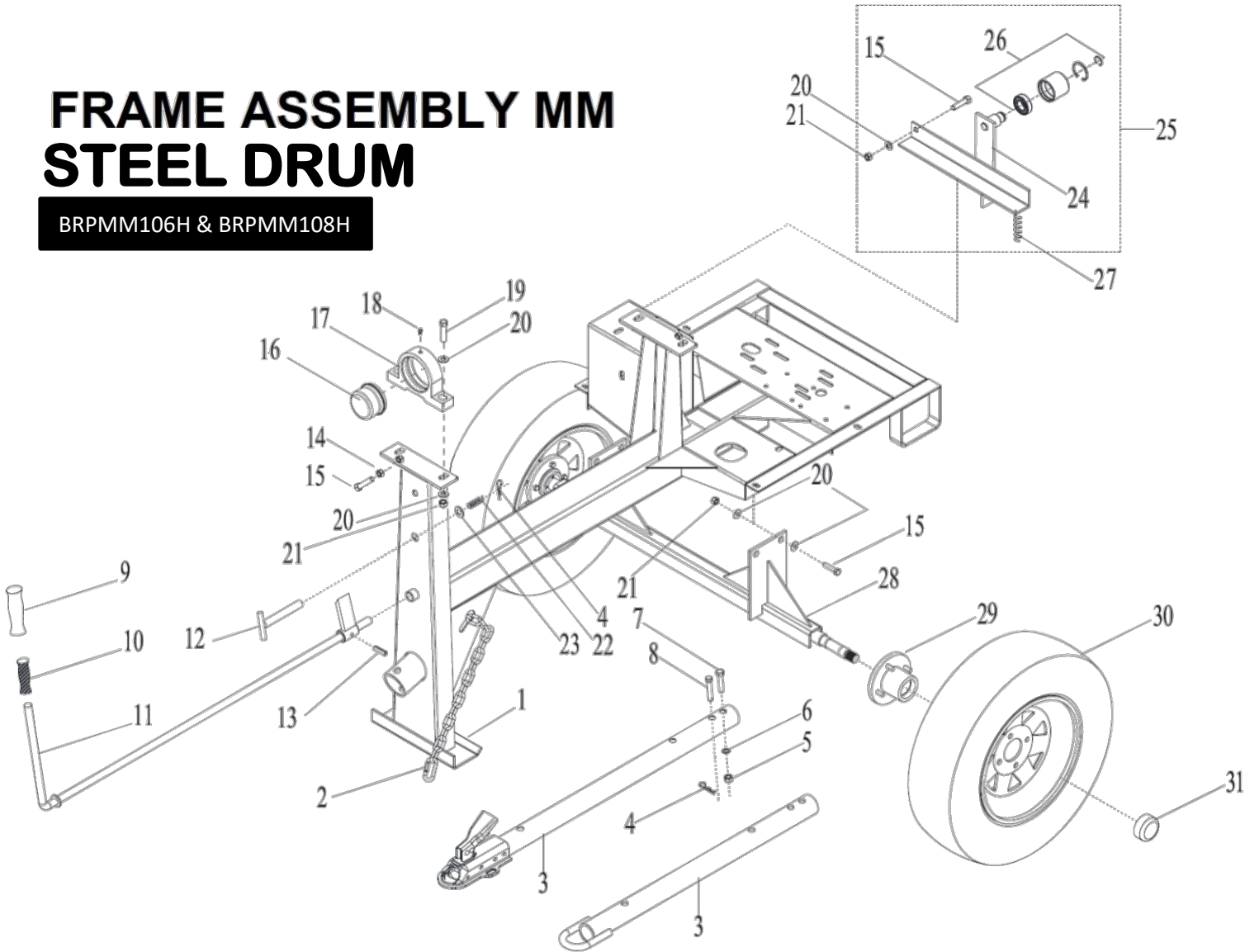
#	PART #	DESCRIPTION	BRPMM106H	BRPMM108H
1	0202CR01CH	SQUARE MAIN SHAFT MAIN 1-3/4 x 38-7/8 MM6 - MM8	1	1
2	0201CO01AS-1	CENTER PADDLE RIGHT ARM MM6 (1" THICKNESS)	1	
2	0200CO01AS-1	CENTER PADDLE RIGHT ARM MM8 (1" THICKNESS)		1
3	0202CO01AS-1	PADDLE CENTER LEFT ARM MM6 (1" THICKNESS)	1	
3	0200CO02AS-1	CENTER PADDLE LEFT ARM MM8 (1" THICKNESS)		1
4	0201CO03AS-1	END PADDLE RIGHT ARM MM6 (1" THICKNESS) HITCH END	1	
4	0200CO03AS-1	END PADDLE RIGHT ARM MM8 (1" THICKNESS) HITCH END		1
5	0201CO02AS-1	END PADDLE LEFT ARM MM6 (1" THICKNESS) ENGINE END	1	
5	0200SO03AS-1	END PADDLE LEFT ARM MM8 (1" THICKNESS) ENGINE END		1
6	0200SO05AS-1	PADDLE END LEFT AND RIGHT ARMS BRACKETS MM6 – MM8 (1" THICKNESS)	2	2
7	TOCD012312	HEX HEAD CAP SCREW 1/2" X 3-1/2" (1" TICKNESS PADDLES)	6	6
8	TCCS012GAL	HEX LOCKNUT 1/2"	6	6
9	0200TU01FC	MAIN SHAFT BUSHING	1	1
10	0200PL01FC	MAIN SHAFT PLAIN WASHER 3/16"	2	2
11	RNRX038GAL	LOCK WASHER, 3/8"	2	2
12	TOCD038100	MAIN SHAFT HEX HEAD SCREW 3/8 x 1 NF	2	2
13	TOCD038200	HEX HEAD SCREW 3/8" x 2"	4	4
14	RNPX038GAL	PLAIN WASHER, 3/8"	36	40
15	0201RF01AS	CENTER PADDLE RUBBER BLADE MM6 – MM8	4	4
16	0200SO01AS	CENTER PADDLE STEEL BLADE 3/8" MM6 – MM8	4	4
17	TCCS038GAL	LOCK NUT HEX, 3/8"	18	20
18	TOCD038112	HEX HEAD SCREW 3/8" X 1-1/2"	16	18
19	0201RF02AS	END PADDLE SIDE RUBBER BLADE MM6	2	
19	0200RF02AS	END PADDLE SIDE RUBBER BLADE MM8		2
20	0201SO01AS	END PADDLE SIDE STEEL BLADE MM6	2	
20	0200SO02AS	END PADDLE SIDE STEEL BLADE MM8		2

COMPLETE PADDLE/RUBBER KITS – SEE NEXT PAGE

21	0201KI01AS-1	COMPLETE PADDLE SET MM6 (1" THICKNESS)	1	
21	0200KI01AS-1	COMPLETE PADDLE SET MM8 (1" THICKNESS)		1
22	0201KI03AS	RUBBER BLADE KIT MM6	1	
22	0200KI03AS	RUBBER BLADE KIT MM8		1
<b>SPIRAL KIT ASSEMBLY</b>				
*	0201KI01ES	MM6S SPIRAL BLADE KIT	1	
*	0203KI01ES	M8S SPIRAL BLADE KIT		1

# FRAME ASSEMBLY MM STEEL DRUM

BRPMM106H & BRPMM108H

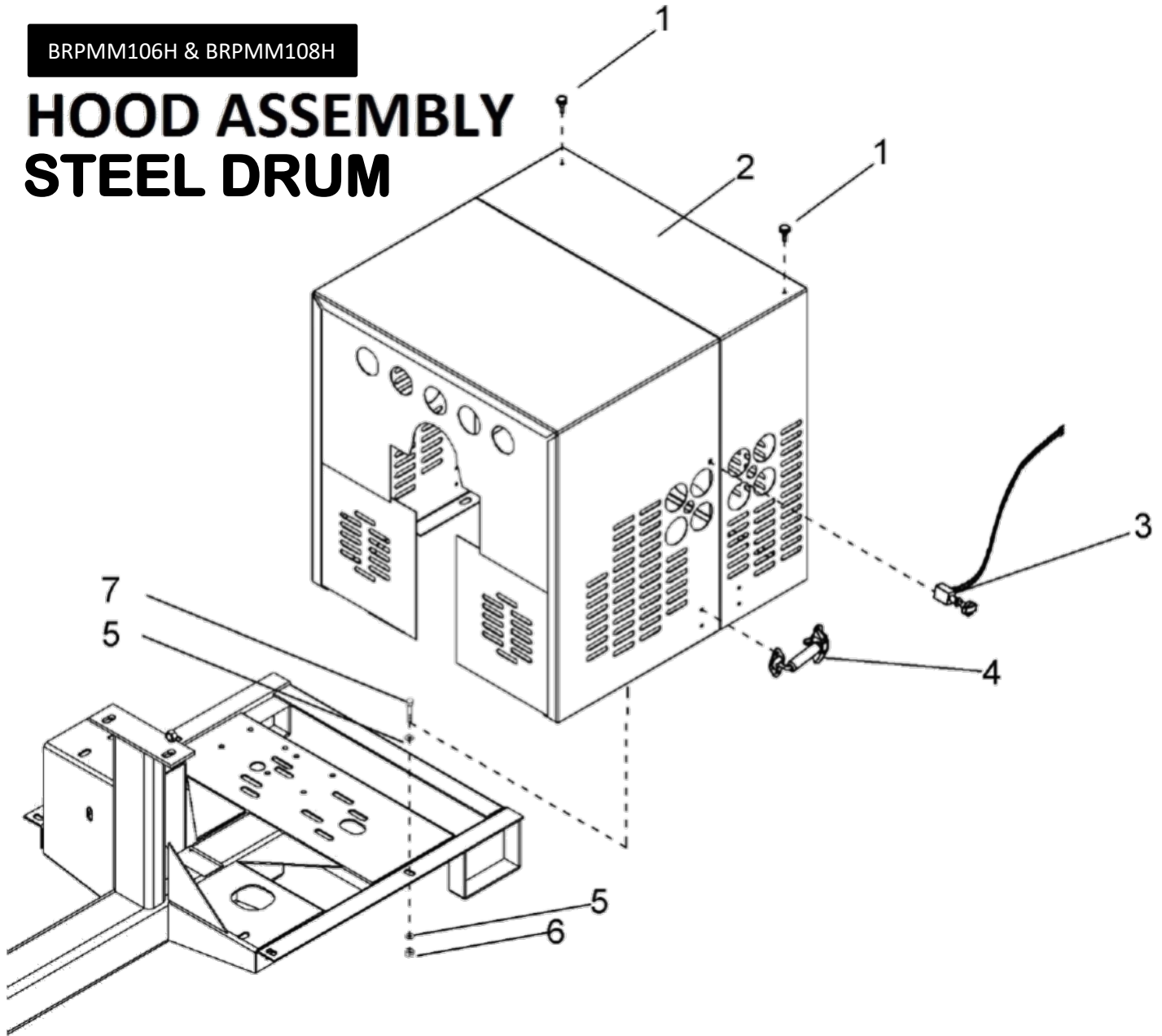


#	PART #	DESCRIPTION	BRPMM106H	BRPMM108H
1	0201CO01CH-1	FRAME MM6 (FROM S# 4001 AND UP)	1	
1	0202CO01CH	FRAME MM8	1	1
2	CA03316GAL	5/16" SAFETY CHAIN	1	1
3	0000CO03LZ	PINTLE HITCH (VERTICAL HOLE)	1	1
3	0000CO04LZ	2" BALL HITCH (VERTICAL HOLE)	1	1
4	SR00036EXT	GRID/HITCH HAIR LOCK PIN 3/16"	1	1
5	TCFN034GAL	TOWING HITCH SAFETY HEX HEAD NUT 3/4"	1	1
6	RNRX034GAL	TOWING HITCH SAFETY LOCK WASHER 3/4"	1	1
7	TOFD034312	TOWING HITCH SAFETY HEX HEAD SCREW 3/4" x 3-1/2"	1	1
8	0000CR01LZ	TOWING HITCH SAFETY PIN LOCK	1	1
9	0000RF01RJ	DUMPING & CONTROL HANDLE GRIP	1	1

10	0000RF02TQ	CONTROL HANDLE INSIDE GRIP HOLDER	1	1
11	0200CO01CU	ENGAGEMENT CONTROL HANDLE LEVER MM6 - MM8	1	1
12	0200CO01CH	TOWING/DUMPING SPRING LOADED LOCK PIN	1	1
13	00PE038112	CONTROL HANDLE LOCK PIN 3/8" X 1-1/2"	1	1
14	TCCN012GAL	DRUM PILLOW BLOCK HEX NUT 1/2" WELDED TO FRAME	2	2
15	TOCD012134	HEX HEAD CAP SCREW 1/2" X 1-3/4"	7	7
16	0000RF02CH	DRUM BEARINGS DUST CAP	1	1
17	00CHPI2300	DRUM PILLOW BLOCK	2	2
18	0000GRH045	BEARING FITTING GREASE 45 DEG	2	2
19	TOCD012212	HEX HEAD CAP SCREW 1/2" x 2-1/2"	4	4
20	RNPX012GAL	PLAIN WASHER 1/2"	17	17
21	TCCS012GAL	HEX LOCKNUT 1/2"	9	9
22	0000RF01CH	TOWING/DUMPING LOCK PIN SPRING	1	1
23	RNPX034GAL	TOWING/DUMPING PIN LOCK PLAIN WASHER 3/4"	1	1
24	0200CO02CU	IDLER ARM BRACKET (NO BEARING)	1	1
25	0200CO04CU	BEARING CLUTCH ASSEY WITH IDLER ARM BRACKET	1	1
26	0200KI01CU	BEARING CLUTCH ASSEY	1	1
27	0000RF01CU	IDLER ARM SPRING	1	1
28	0200CO03RD	STANDARD 46" AXLE MM6 – MM8 (NO HUBS)	1	1
28	0200CO04RD	STANDARD 46" AXLE ASSY W/ WHEEL HUBS	1	1
29	0200KI03RD	HIGH SPEED WEELS AXLE HUBS ASSEY WITH DUST CAP (4 BOLTS)	2	2
30	0000CO02RD	WHEEL AND TIRE ASSEY 4.8X12" MM6	2	
30	0000CO01RD	WHEEL AND TIRE ASSEY 165-80-R13" MM8		2
31	0000RF10RD	HIGH SPEED WHEELS HUB, DUST CAP	2	2

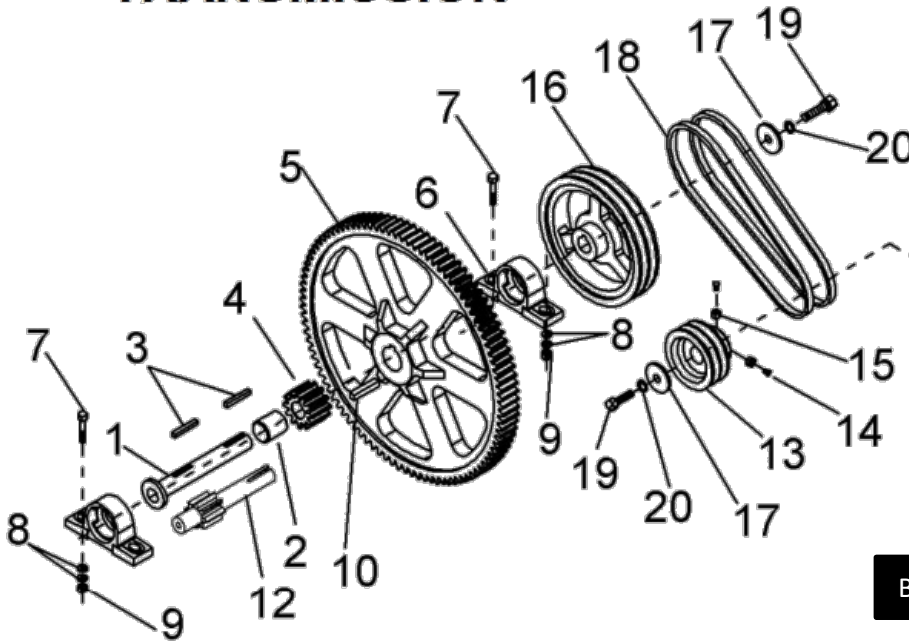
BRPMM106H &amp; BRPMM108H

# HOOD ASSEMBLY STEEL DRUM

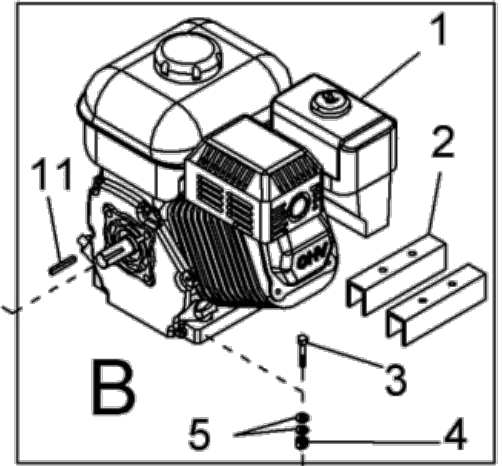


#	PART #	DESCRIPTION	BRPMM106H	BRPMM108H
1	0000RF01GA	SHROUD RUBBER SCREW	2	2
2	0200CO01GA	SQUARE SHROUD ASSEY COMPLETE MM6 – MM8	1	1
3	0200KI01GA	SHROUND ASSEMBLY PUSH STOP WITH ENGINE HARNESS	1	1
3	0000RF04GA	ENGINE KILL SWITCH (NO HARNESS) – <b>BLACK</b>	1	1
3	816769AS NO	ENGINE KILL SWITCH (NO HARNESS) - 816769AS <b>RED</b>	1	1
4	0000RF02GA	SHROUD SPRING LOADED HOOK ASSEMBLY	2	2
5	RNPX038GAL	PLAIN WASHER, 3/8"	8	8
6	TCCS038GAL	LOCK NUT HEX, 3/8"	4	4
7	TOCD038112	HEX HEAD SCREW 3/8" X 1-1/2"	4	4

# TRANSMISSION



# ENGINE



**BRPMM106H & BRPMM108H**

# STEEL DRUM

## TRANSMISSION

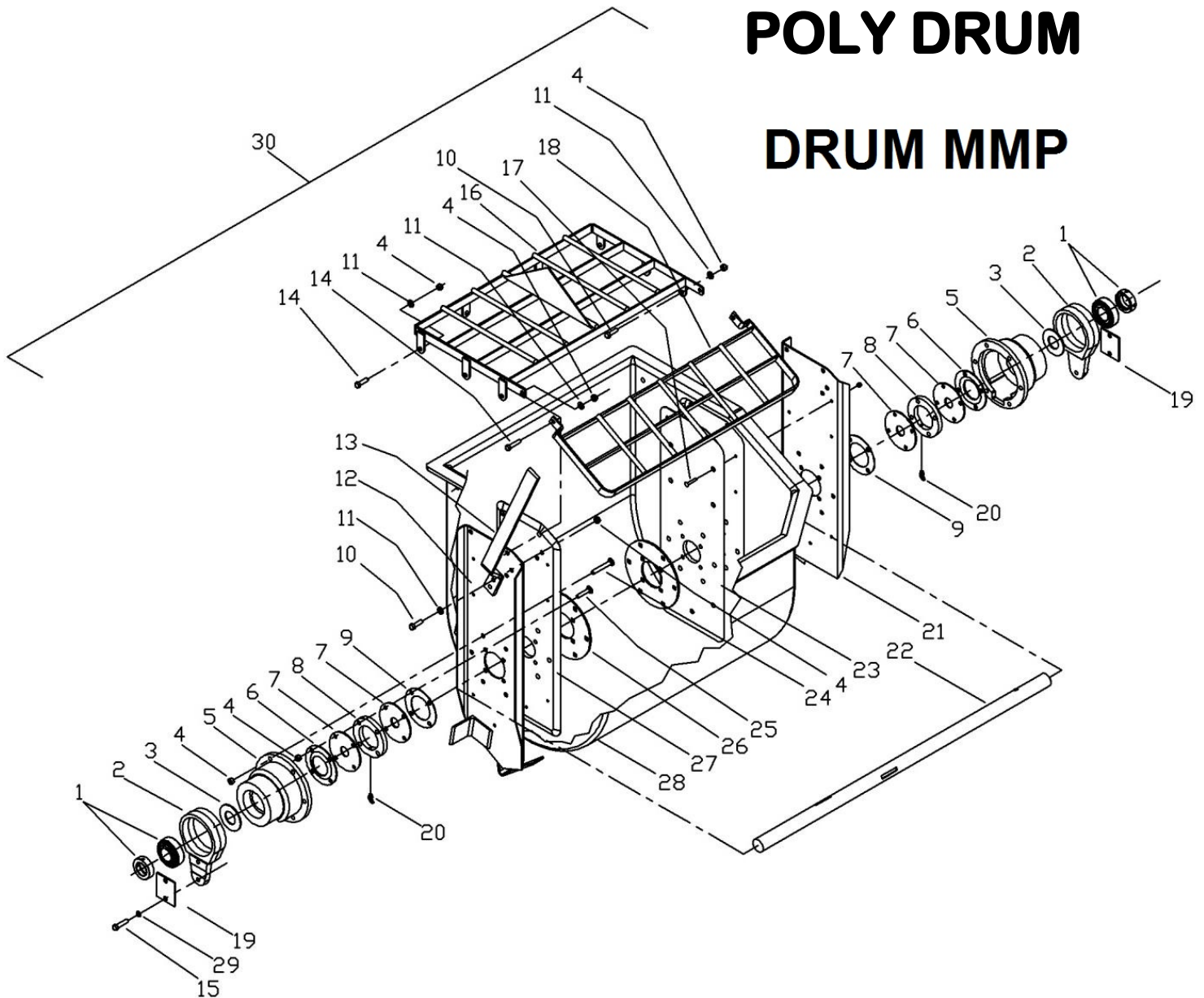
#	PART. #	DESCRIPTION	BRPMM106H	BRPMM108H
1	0200CR01TR	TRANSMISSION SHAFT 1" x 7-1/4"	1	1
2	0200TU01TR	TRANSMISSION SHAFT BUSHING 1" X 1-5/8"	1	1
3	0200CC03TR	TRANSMISSION PULLEY & SHAFT KEY 1/4" x 1-7/8"	2	2
3	0000CU01TR	TRANSMISSION KEY 1/4 x 1-1/4"	2	2
4	0200CR04TR	TRANSMISSION PINION (12 TOOTH) 2-3/8" X 2-1/2"	1	1
5	0200FG02TR	96 TOOTH BULL GEAR 14-1/4"	1	1
6	00CHPI2100	TRANSMISSION PILLOW BLOCK w/1" BEARING	2	2
7	TOCD038200	HEX HEAD SCREW 3/8" x 2"	2	2
8	RNPX038GAL	PLAIN WASHER, 3/8"	4	4
9	TCCS038GAL	LOCK NUT HEX, 3/8"	2	2
10	0200CC01TR	96 TOOTH BULL GEAR KEY 3/8" X 2"	1	1
11	0200CU02TR	ENGINE KEY FOR GAS HONDA 1/4"	1	1
13	POFG3341002R	2 GROOVES GAS ENGINE PULLEY 3-3/4" X 1"	1	1
14	OPCQ038100	GAS ENGINE PULLEY SET SCREW 3/8" X 1"	2	2
15	TCCN038GAL	HEX NUT 3/8 NC	2	2
16	POFG8001002R	2 GROOVES TRANSMISSION PULLEY 8"	1	1
17	0200PL01FC	MAIN SHAFT PLAIN WASHER 3/16"	1	1
18	0000BNAX37	GAS ENGINE TRASMISSION BELT, AX37	2	2
19	TOCD038100	HEX HEAD SCREW 3/8 x 1 NF	1	1

## ENGINE

#	PART #	DESCRIPTION	BRPMM106H	BRPMM108H
1	202009M	HONDA ENGINE GX240 WITH 6:1 REDUCER	1	1
3	TOCD056300	HEX HEAD SCREW 5/16" x 3"	4	
3	TOCD038200	HEX HEAD SCREW, 3/8" x 2"		4
4	TCCS056GAL	HEX LOCK NUT 5/16"	4	
4	TCCS038GAL	HEX LOCK NUT, 3/8		4
5	RNPX038GAL	PLAIN WASHERS, 3/8"		8



# POLY DRUM DRUM MMP

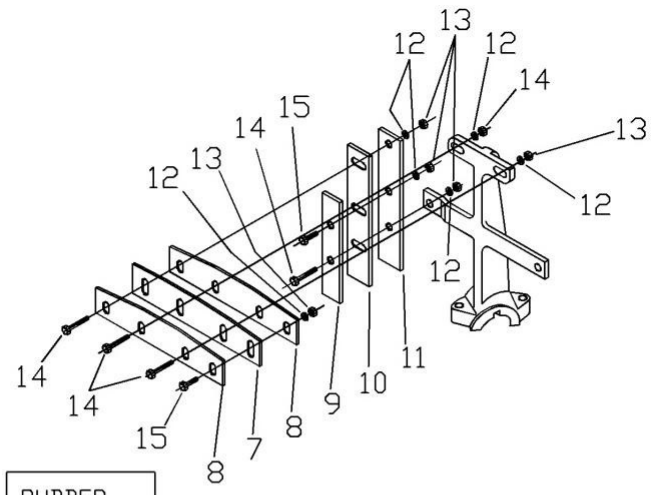
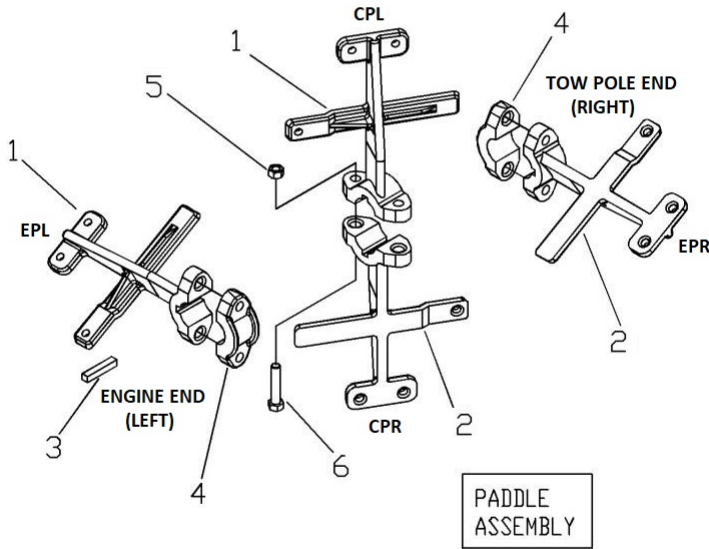


#	PART #	DESCRIPTION	BRPMM206H	BRPMM208H
1	0000BA20824	DRUM TRUNNION BRG KIT W/ FITTING GREASE	2	2
2	0200CH01TQ	DRUM PIVOT MMP	2	2
3	0200HN01TQ	DRUM FLINGER, 3.00 X 1.47 X .13	2	2
4	TCCS038GAL	LOCK NUT HEX, 3/8"	30	32
5	0218FG02TQ	DRUM TRUNNION MMP	2	2
6	0218PL03TQ	SEAL RING DRUM MMP	2	2
7	0200HN02TQ	DRUM SEAL MMP	4	4
8	0218FG01TQ	DRUM SEAL PLATE	2	2
9	0218AS01TQ	GASKET 4-1/2" DIAM 0.06 THICK	2	2
10	TOCD038200	HEX HEAD SCREW 3/8" x 2"	4	4
11	RNPX038GAL	PLAIN WASHER, 3/8"	10	12
12	0218LA01TQ	FRONT OUTSIDE DRUM CHANNEL MM6P	1	
12	0225LA01TQ	FRONT OUTSIDE DRUM CHANNEL MM8P		1
13	0200CO01TQ	DRUM DUMPINHG HANDLE SOLD WITH GRIP	1	1
14	TOCD038112	HEX HEAD SCREW 3/8" X 1-1/2"	6	6
15	TOCD012112	HEX HEAD SCREW 1/2" X 1-1/2"	4	4
16	0218CO01RJ	FIXED GRILL MM6P	1	

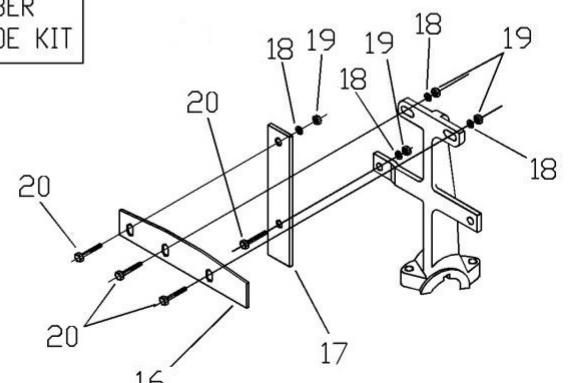
16	0225CO01RJ	FIXED GRILL MM8P		1
17	TOCT014112	ALLEN BOLT, 1/4" x 1-1/2"	14	14
18	0218CO02RJ	HINGED GRILL MM6P	1	
18	0225CO02RJ	HINGED GRILL MM8P		1
19	0218PL01TQ	DRUM SHIM(S) (OPTIONAL)	2	2
20	0000GRH045	BEARING FITTING GREASE 45 DEG	2	2
21	0218LA02TQ	REAR OUTSIDE DRUM CHANNEL MM6P	1	
21	0225LA02TQ	REAR OUTSIDE DRUM CHANNEL MM8P		1
22	0218CR01TQ	PADDLE SHAFT MM6P	1	
22	0225CR02TQ	PADDLE SHAFT MM8P		1
23	0218LA03TQ	REAR INSIDE DRUM CHANNEL MM6P	1	
23	0225LA03TQ	REAR INSIDE DRUM CHANNEL MM8P		1
24	TOCL038112	DRUM TRUNNION CARRIAGE BOLT 3/8" x 1-1/2"	12	12
25	TOCL038200	DRUM TRUNNION CARRIAGE BOLT 3/8" x 2"	8	8
26	0218PL02TQ	INNER SEAL PLATE	2	2
27	0218LA04TQ	FRONT DRUM FILLER PLATE MM6P	1	
27	0225LA04TQ	FRONT DRUM FILLER PLATE MM8P		1
28	0218PC01TQ	DRUM MM6P	1	
28	0225PC02TQ	DRUM MM8P		1
29	RNRX012GAL	SPRING WASHER, 1/2"	4	4
30	0218KI01TQ	DRUM ASSY COMPLETE MM6P	1	
30	0225KI01TQ	DRUM ASSY COMPLETE MM8P		1

# POLY DRUM PADDLE ASSEMBLY

**BRPMM206H**



RUBBER  
BLADE KIT

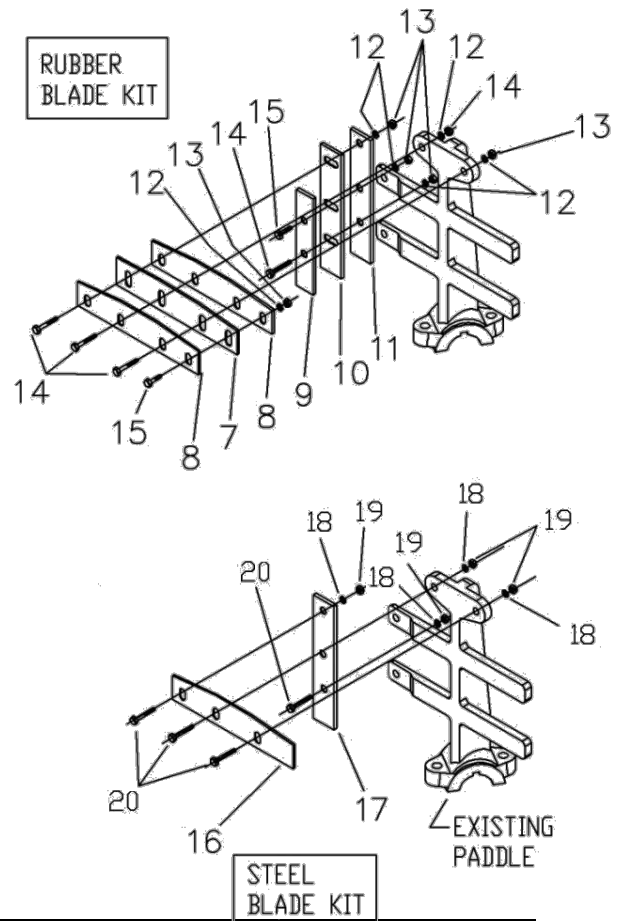
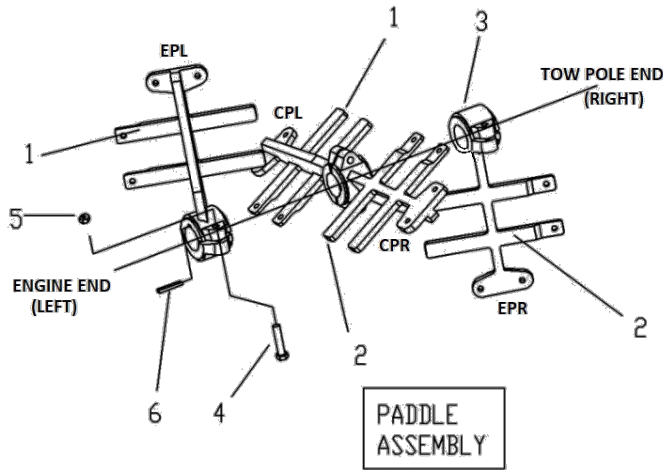


STEEL  
BLADE KIT

#	PART #		DESCRIPTION	BRPMM206H
1	0218FG01AS	T571	END PADDLE & CENTRAL PADDLE LEFT ARM MM6P	2
2	0218FG03AS	T574	END PADDLE & CENTRAL PADDLE RIGHT ARM MM6P	2
3	1000CC01ED	T572	PADDLE KEY 3/8" x 1-3/4"	4
4	0218FG02AS	T573	PADDLE END BRACKET MMP	2
5	TCCS012GAL	T106	HEX LOCKNUT 1/2"	6
6	TOCD012300	T481	HEX BOLT 1/2" x 3"	6
<b>RUBBER BLADE KIT MM6P</b>				
7	0200HN01AS	T577	TOP WIPER	4
8	0218LA01AS	T579	TOP BLADE	8
9	0218LA02AS	T580	BLADE SIDE SMALL	2
10	0218HN01AS	T578	WIPER SIDE	2
11	0218LA03AS	T581	BLADE SIDE	2
12	RNPX038GAL	T112	PLAIN WASHER, 3/8"	44
13	TCCS038GAL	T114	LOCK NUT HEX, 3/8"	18
14	TOCD038200	T145	HEX HEAD SCREW 3/8" x 2"	4
15	TOCD038112	T176	HEX HEAD SCREW 3/8" X 1-1/2"	16
*	N/A	609802	RUBBER BLADE KIT COMPLETE MM6P (609802)	1
<b>STEEL BLADE KIT MM6P</b>				
16	0218PL01AS	T575	BLADE TOP SMALL	4
17	0218PL02AS	T576	BLADE SIDE	2
18	RNPX038GAL	T112	PLAIN WASHER, 3/8"	24
19	TCCS038GAL	T114	LOCK NUT HEX, 3/8"	12
20	TOCD038112	T176	HEX HEAD SCREW 3/8" X 1-1/2"	12
*	N/A	610550	PADDLE ASSEMBLY KIT MM6P (610550)	1

# POLY DRUM PADDLE ASSEMBLY

**BRPMM208H**

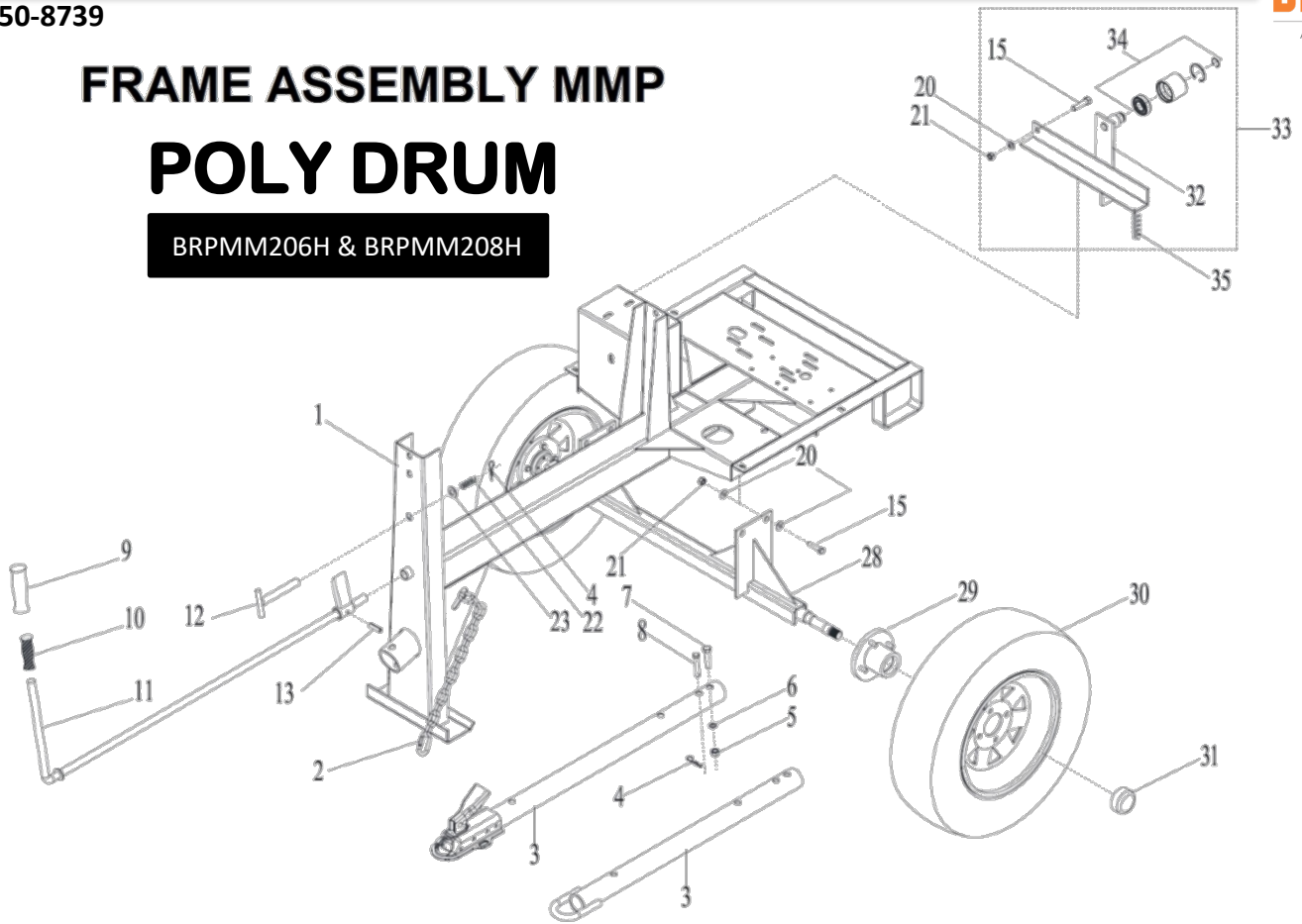


#	PART #	PART #	DESCRIPTION	BRPMM208H
1	0225FG01AS	T582	END PADDLE & CENTRAL PADDLE LEFT ARM MM8P	2
2	0225FG02AS	T583	END PADDLE & CENTRAL PADDLE RIGHT ARM MM8P	2
3	0218FG02AS	T573	PADDLE CAP	8
4	TOCD012300	T481	BOLT, HEXHD, 1/2" X 3"	6
5	TCCS012GAL	T106	LOCK NUT, 1/2"	6
6	1000CC01ED	T572	KEY, 3/8" X 1-3/4"	4
<b>RUBBER BLADE KIT MM8P</b>				
7	0200HN01AS	T577	TOP WIPER	4
8	0218LA01AS	T579	TOP BLADE	8
9	0225PL03AS	T586	BLADE SIDE	2
10	0225HN01AS	T587	WIPER SIDE	2
11	0225PL04AS	T588	BLADE SIDE	2
12	RNPX038GAL	T112	PLAIN WASHER, 3/8"	44
13	TCCS038GAL	T114	LOCK NUT HEX, 3/8"	18
14	TOCD038200	T145	HEX HEAD SCREW 3/8" X 2"	4
15	TOCD038112	T176	HEX HEAD SCREW 3/8" X 1-1/2"	16
*	N/A	609910	RUBBER BLADE KIT COMPLETE MM8P	1
<b>STEEL BLADE KIT MM8P</b>				
16	0218PL01AS	T575	BLADE TOP SMALL	4
17	0218PL02AS	T576	BLADE SIDE	2
18	RNPX038GAL	T112	PLAIN WASHER, 3/8"	24
19	TCCS038GAL	T114	LOCK NUT HEX, 3/8"	12
20	TOCD038112	T176	HEX HEAD SCREW 3/8" X 1-1/2"	12
*	N/A	610555	PADDLE ASSEMBLY KIT MM8P (610555)	1

# FRAME ASSEMBLY MMP

# POLY DRUM

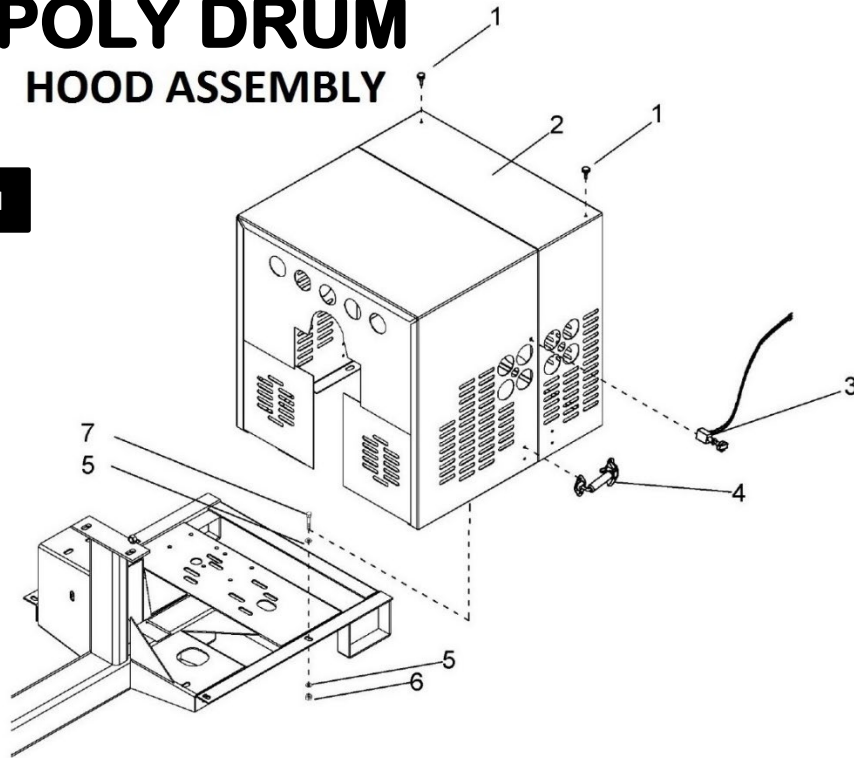
BRPMM206H & BRPMM208H



#	M.I.D. #	PART #	DESCRIPTION	BRPMM206H	BRPMM208H
1	0218CO01CH	T499	FRAME MM6P	1	
1	0225CO01CH	T550	FRAME MM8P		1
2	CA03316GAL	T501	5/16" SAFETY CHAIN	1	1
3	0000CO03LZ	T118-V	PINTLE HITCH (VERTICAL HOLE)	1	1
3	0000CO04LZ	T119-V	2" BALL HITCH (VERTICAL HOLE)	1	1
4	SR00036EXT	T110	GRID/HITCH HAIR LOCK PIN 3/16"	1	1
5	TCFN034GAL	T124	TOWING HITCH SAFETY HEX HEAD NUT 3/4"	1	1
6	RNRX034GAL	T123	TOWING HITCH SAFETY LOCK WASHER 3/4"	1	1
7	TOFD034312	T122	TOWING HITCH SAFETY HEX HEAD SCREW 3/4" x 3-1/2"	1	1
8	0000CR01LZ	T121	TOWING HITCH SAFETY PIN LOCK	1	1
9	0000RF01RJ	T166	DUMPING & CONTROL HANDLE GRIP	1	1
10	0000RF02TQ	T414	CONTROL HANDLE INSIDE GRIP HOLDER	1	1
11	0200CO01CU	T117	ENGAGEMENT CONTROL HANDLE LEVER MM6P - MM8P	1	1
12	0200CO01CH	T107	TOWING/DUMPING SPRING LOADED LOCK PIN	1	1
13	00PE038112	T505	CONTROL HANDLE LOCK PIN 3/8" X 1-1/2"	1	1
15	TOCD012134	T189	HEX HEAD CAP SCREW 1/2" X 1-3/4"	7	7
21	TCCS012GAL	T106	HEX LOCKNUT 1/2"	9	9
22	0000RF01CH	T109	TOWING/DUMPING LOCK PIN SPRING	1	1
23	RNPX034GAL	T108	TOWING/DUMPING PIN LOCK PLAIN WASHER 3/4"	1	1
28	0200CO03RD	T125-2	STANDARD 46" AXLE MM6 - MM10 (NO HUBS)	1	1
28	0200CO04RD	T125-3	AXLE ASSY W/ WHEEL HUBS	1	1
29	0200KI03RD	T129-1	HIGH SPEED WHEELS AXLE HUBS ASSEY WITH DUST CAP	2	2
30	0000CO02RD	T137-12	WHEEL AND TIRE ASSEY 4.8X12" MM6	2	
30	0000CO01RD	T137	WHEEL AND TIRE ASSEY 165-80-R13" MM8		2
31	0000RF10RD	T136-1	HIGH SPEED WHEELS HUB, DUST CAP	2	2
32	0200CO02CU	T140	IDLER ARM BRACKET (NO BEARING)	1	1
33	0200CO04CU	T197	BEARING CLUTCH ASSEY WITH IDLER ARM BRACKET	1	1
34	0200KI01CU	T197-1	BEARING CLUTCH ASSEY	1	1
35	0000RF01CU	T192	IDLER ARM SPRING	1	1

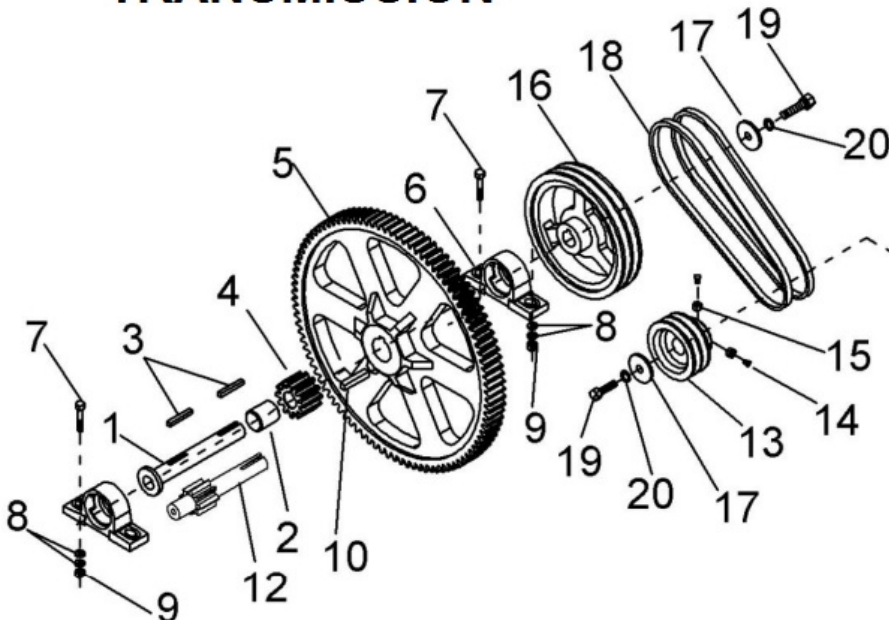
# POLY DRUM HOOD ASSEMBLY

BRPMM206H & BRPMM208H

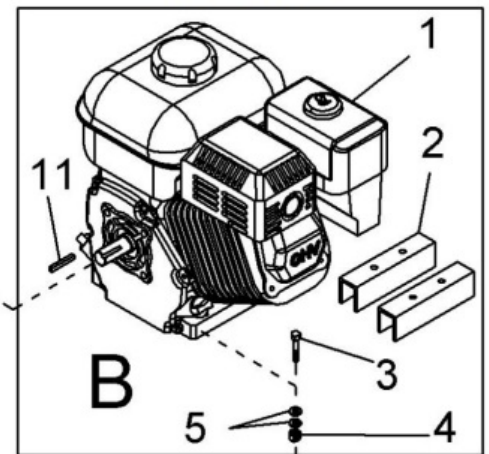


#	PART #	DESCRIPTION	BRPMM206H	BRPMM208H
1	0000RF01GA	SHROUD RUBBER SCREW	2	2
2	0200CO01GA	SQUARE SHROUD ASSEY COMPLETE MM6 - MM10	1	1
3	0200KI01GA	SHROUND ASSEMBLY PUSH STOP WITH ENGINE HARNESS	1	1
3	0000RF04GA	ENGINE KILL SWITCH (NO HARNESS) <b>BLACK</b>	1	1
3	816769AS NO	ENGINE KILL SWITCH (NO HARNESS) - 816769AS <b>RED</b>	1	1
4	0000RF02GA	SHROUD SPRING LOADED HOOK ASSEMBLY	2	2
5	RNPX038GAL	PLAIN WASHER, 3/8"	8	8
6	TCCS038GAL	LOCK NUT HEX, 3/8"	4	4
7	TOCD038112	HEX HEAD SCREW 3/8" X 1-1/2"	4	4

## TRANSMISSION



## ENGINE



BRPMM206H & BRPMM208H

#	MANUF. #	DESCRIPTION	BRPMM206H	BRPMM208H
1	0200CR01TR	TRANSMISSION SHAFT 1" x 7-1/4"	1	1
2	0200TU01TR	TRANSMISSION SHAFT BUSHING 1" X 1-5/8"	1	1
3	0200CC03TR	TRANSMISSION PULLEY & SHAFT KEY 1/4" x 1-7/8"	2	2
3	0000CU01TR	TRANSMISSION KEY 1/4 x 1-1/4"	2	2
4	0200CR04TR	TRANSMISSION PINION (12 TOOTH) 2-3/8" X 2-1/2"	1	1
5	0200FG02TR	96 TOOTH BULL GEAR 14-1/4"	1	1
6	00CHPI2100	TRANSMISSION PILLOW BLOCK w/1" BEARING	2	2
7	TOCD038200	HEX HEAD SCREW 3/8" x 2"	2	2
8	RNPX038GAL	PLAIN WASHER, 3/8"	4	4
9	TCCS038GAL	LOCK NUT HEX, 3/8"	2	2
10	0200CC01TR	96 TOOTH BULL GEAR KEY 3/8" X 2"	1	1
11	0200CU02TR	ENGINE KEY FOR 8HP & 13HP HONDA 1/4"	1	1
11	0200CU03TR	ENGINE KEY FOR 5HP HONDA 3/16"	1	1
13	POFG3341002R	2 GROOVES GAS ENGINE PULLEY 3-3/4" X 1"	1	1
14	OPCQ038100	GAS ENGINE PULLEY SET SCREW 3/8" X 1"	2	2
15	TCCN038GAL	HEX NUT 3/8 NC	2	2
16	POFG8001002R	2 GROOVES TRANSMISSION PULLEY 8"	1	1
17	0200PL01FC	MAIN SHAFT PLAIN WASHER 3/16"	1	1
18	0000BNAX37	GAS ENGINE TRASMISSION BELT, AX37	2	2
19	TOCD038100	HEX HEAD SCREW 3/8 x 1 NF	1	1
1	202009M	HONDA ENGINE GX270	1	1
3	TOCD038200	HEX HEAD SCREW, 3/8" x 2"		4
4	TCCS038GAL	HEX LOCK NUT, 3/8		4



**Dear Valued Customer:**

The Brave product you just purchased is built with the finest material and craftsmanship. Use this product properly and enjoy the benefits from its high performance. By purchasing a Brave product, you show a desire for quality and durability. Like all mechanical equipment this unit requires a due amount of care. Treat this unit like the high-quality piece of machinery it is. Neglect and improper handling may impair its performance.

Thoroughly read the instructions and understand the operation before using your product. Always contact Brave Product Support at 1-800-350-8739 prior to having any service or warranty work performed, as some services performed by parties other than Brave approved service centers may void this warranty. This limited warranty is in lieu of any other warranty expressed or implied, written or oral and Brave assumes no other responsibility or liability outside that expressed within this limited warranty.

**Limited Warranty for Brave Mixers:**

**Models:**

**BRPMM106H      BRPMM108H      BRPMM206H      BRPMM208H      BRPCM107H      BRPCM109H**

	<b>Consumer Warranty Period</b>	<b>Commercial Warranty Period</b>
<b>Weldments</b>	1 years from date of purchase by user	1 year from date of purchase by user
<b>Bearings &amp; Seals</b>	Brave mixers offer a Lifetime warranty on Bearings & Seals. The obligation under this warranty is limited to the replacement of parts from your local Brave dealer or contacting Brave directly	
<b>Wear Parts</b>	In addition to the normal warranty, Brave shall warrant some normal wear items from defects in material or workmanship for a period of 30 days from the date of purchase by user. Normal wear items covered under this warranty are limited to: High impact wear related components, such as standard retention hardware for wear items, paddle wipers (Mortar Mixer), belts, gears, axle bearing, tires, switches. Routine maintenance items such as lubricants, belt adjustments, tune ups are not covered under warranty.	
<b>Engines</b>	The engine warranty is covered under the terms and conditions as outlined by the engine manufactures warranty contained herein and is the sole responsibility of the engine manufacturer. Normal engine maintenance such as spark plugs, oil changes, air filters, adjustments, fuel system cleaning and obstruction due to build up is not covered by this Brave limited warranty.	

“**Consumer use**” means personal residential household use by a consumer. “**Commercial use**” means all other uses, including, but not limited to, use for commercial, income producing or rental purposes or when purchased by a business.

This limited warranty applies to the original purchaser of the equipment (verification of purchase, in the form of a receipt, is the responsibility of the buyer), is non-transferable, and covers parts and labor. Parts will be replaced or repaired at no charge, except when the equipment has failed due to lack of proper maintenance. If a part is no longer available, the part may be replaced with a similar part of equal function. Any misuse, negligence, abuse, accidents, alteration or improper installation or operations will void warranty. Machines altered or modified without a Brave written consent may void this warranty policy immediately. This warranty shall apply to machines repaired by authorized Brave dealers only. Brave reserves the right to inspect and determine whether a part is to be replaced or repaired and is the sole decision of Brave. Brave will not provide for replacement of complete products due to defective parts. Any costs incurred due to replacement or repair of items outside of a Brave approved facility is the responsibility of the buyer and not covered under warranty. Transportation costs to and from service center and/or service calls are the responsibility of the customer. Brave reserves the right to improve or make product changes without incurring any obligation to update, refit or install on machines previously sold. Warranty requests must be submitted in writing within 30 days after machine.

This limited warranty specifically excludes the following: failure of parts due to damage caused by accident, fire, flood, windstorm, acts of God, applications not approved by Brave in writing, corrosion caused by chemicals, use of replacement parts which do not conform to manufacturer’s specifications, damage related to rodent and/or insect infestation and damage caused by vandalism. Additional exclusions: loss of running time, inconvenience, loss of income, or loss of use, including any implied warranty of merchantability of fitness for a specific use. Also, outdoor power equipment needs periodic parts and service to perform well, and this limited warranty does not cover instances when normal use has exhausted the life of a component or the engine.

This limited warranty does not cover any liability, personal injury or damage to surrounding property caused by failure of any part, misuse or inability to use the product, design, material or operation of unit. Alteration of the product, including safety features, shall void this warranty.

Repair or replacement of parts does not extend the warranty period. This limited warranty gives you specific legal rights. You may also have other rights that vary by state. Please have model number, item number and serial number on hand prior to making a warranty claim or inquiry.

*For products purchased on or after October 1, 2019 | Rev 1*





**Brave  
Product Registration Form**

**YOUR INFORMATION**

**Full Name:**

\_\_\_\_\_  
Last First M.I.

**Address:**

\_\_\_\_\_  
Street Address Apartment/Unit #

\_\_\_\_\_  
City State ZIP Code

**Home Phone:**

\_\_\_\_\_

**Alternate  
Phone:**

\_\_\_\_\_

**Email**

\_\_\_\_\_

**PURCHASED FROM**

**Company:**

\_\_\_\_\_

**Address:**

\_\_\_\_\_  
Street Address Apartment/Unit #

\_\_\_\_\_  
City State ZIP Code

**MODEL INFORMATION**

**Purchase Date**

\_\_\_\_\_

**Application Type**

Homeowner

Commercial

Rental

**Model** (i.e. BRPT704H)

**Serial #** (i.e. 123456)

**Signature**

\_\_\_\_\_

**Register your product online at [www.braveproducts.com](http://www.braveproducts.com)**

**BRAVE**

A GNE BRAND

**BRAVE**

*A Brand of:*

*Great Northern Equipment Distributing, Inc.*

*20195 S. Diamond Lake Road, STE 100*

*Rogers, MN 55374*