

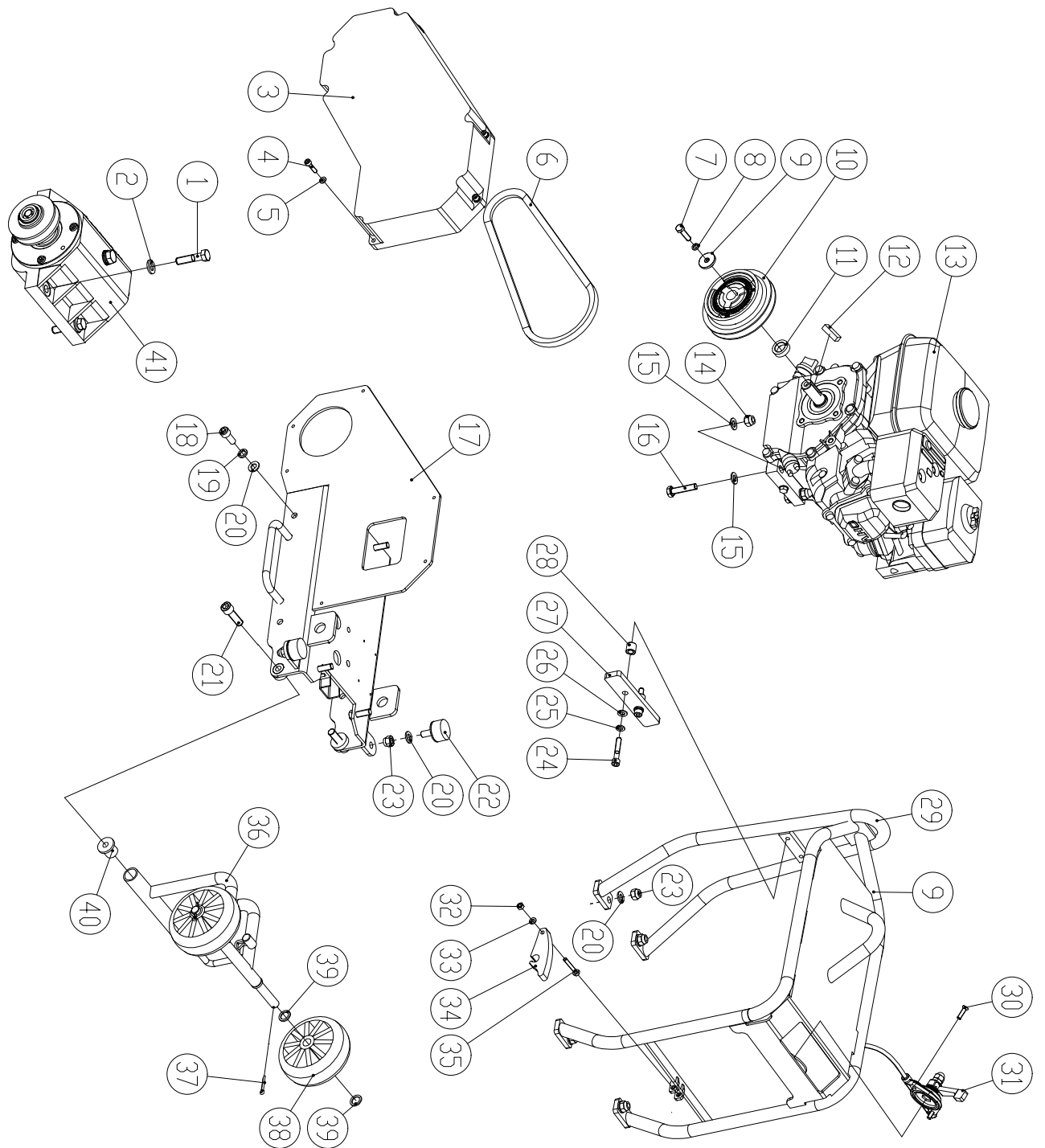
# BRAVE

# PARTS MANUAL

## BRPFP140H FORWARD PLATE COMPACTOR



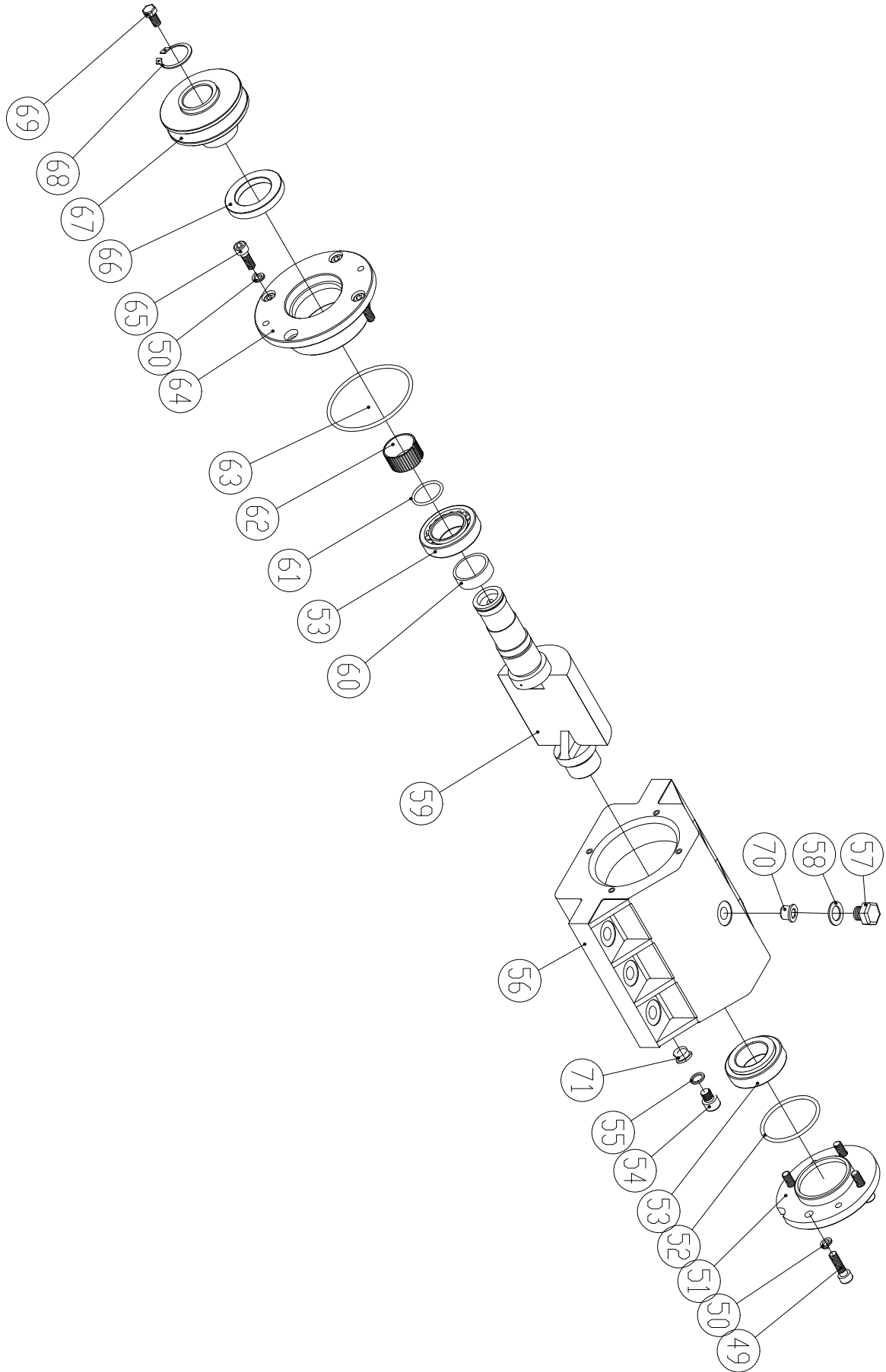
BRAVE CUSTOMER SERVICE | TOLL-FREE: 800-350-8739



BRPFP140H-B0M01-A

## BRPFP140H

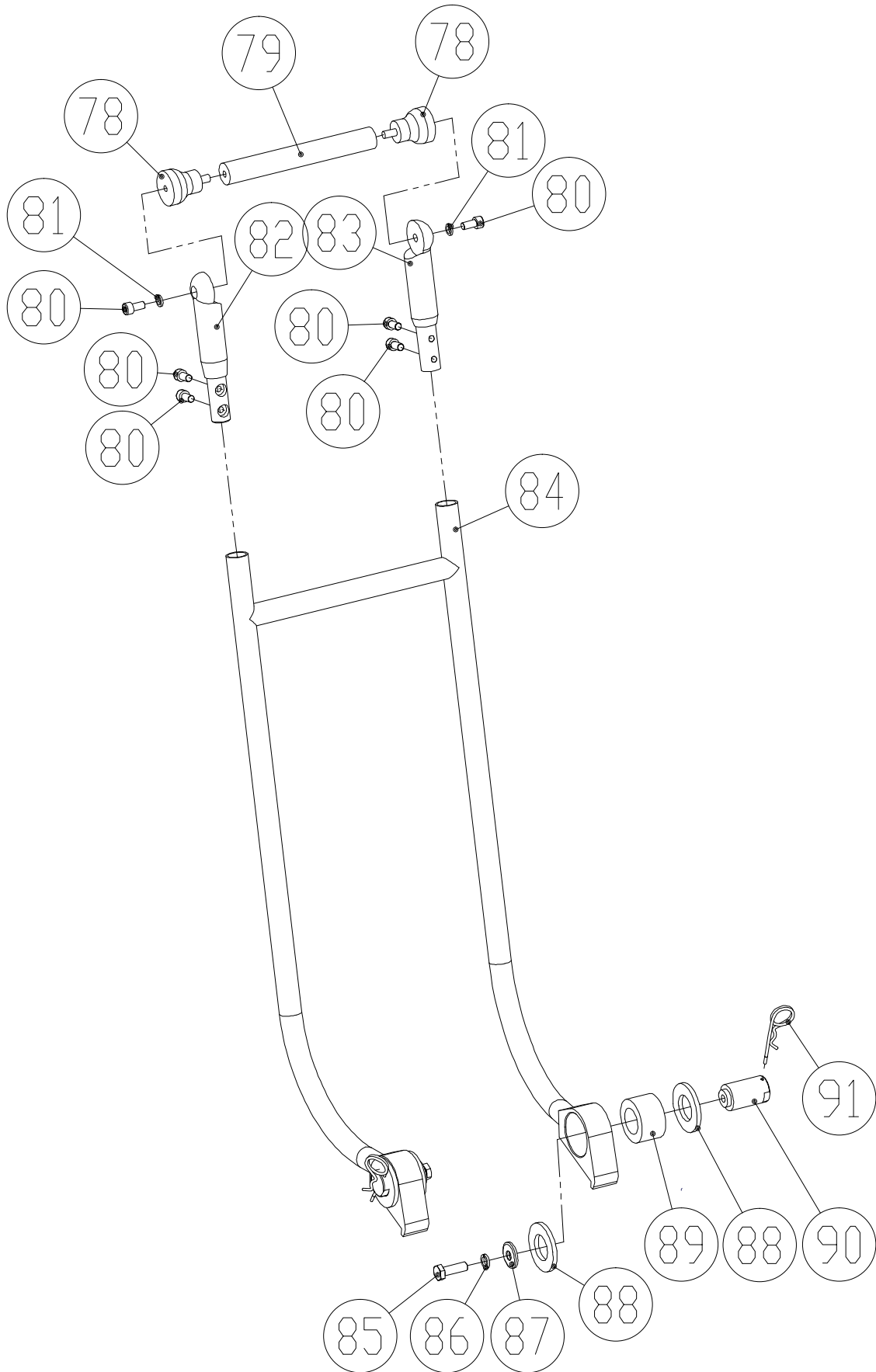
ITEM NO.	PART NO.	DESCRIPTION	QTY	REMARK
1	BR20306257	HEX HEAD SCREW M16X55	4	
2	BR20519001	WASHER	4	
3	BR40301001	BELT COVER	1	
4	BR20306055	SCREW M16X25	7	
5	BR20509004	SPRING WASHER	7	
6	BR21201011	BELT	1	
7	BR20109002	BOLT	1	
8	BR20509006	SPRING WASHER	1	
9	BR40504062	RETAINING RING	1	
10	BR51703001	CLUTCH	1	
11	BR40507006	SHAFT SLEEVE	1	
12	KEY	ENGINE SHAFT KEY	1	
13	GX160	HONDA ENGINE	1	
14	BR20405006	HEXAGONAL NUT M10-GB889	8	
	BR20405004	LOCK NUT	8	
15	BR20501007	FLAT WASHER	8	
16	BR20102108	HEX HEAD BOLT M8x45	4	
17	BR40802008C	ENGINE MOUNTED PLATE	1	ORANGE
18	BR20306150	BOLT M10X20-GB70	4	
19	BR20509008	SPRING WASHER	4	
20	BR20501009	FLAT WASHER	15	
21	BR40401002	BOLT STOPPER	2	
22	BR41201017	RUBBER	4	
23	BR20405006	HEXAGONAL NUT M10-GB889	11	
24	BR20102108	HEX HEAD BOLT M8x45	2	
25	BR20509006	SPRING WASHER	2	
26	BR20501007	FLAT WASHER	2	
27	BR40204094	WATER TANK PLATE	1	
28	BR40504180	CLAMP WASHER	2	
29	BR41003003	PROTECTIVE FRAME	1	
30	BR20308052	HEX HEAD SCREW	2	
31	BR41403009	THROTTLE SWITCH ASSY		
32	BR20405002	HEXAGONAL NUT M6	2	
33	BR20501005	FLAT WASHER	2	
34	BR41205010	CLAMP	1	
35	BR20102060	HEX BOLT	1	
36	BR41003010	WHEEL SHAFT	1	
37	BR20805100	PIN	2	
38	BR41405001	WHEEL	2	
39	BR41201052	NYLON WASHER	4	
40	BR41201051	NYLON SLEEVE	2	
41	BR51701009	VIBRATION BOX ASSY.	1	



BRPFP140H-BOM02-A

## BRPFP140H

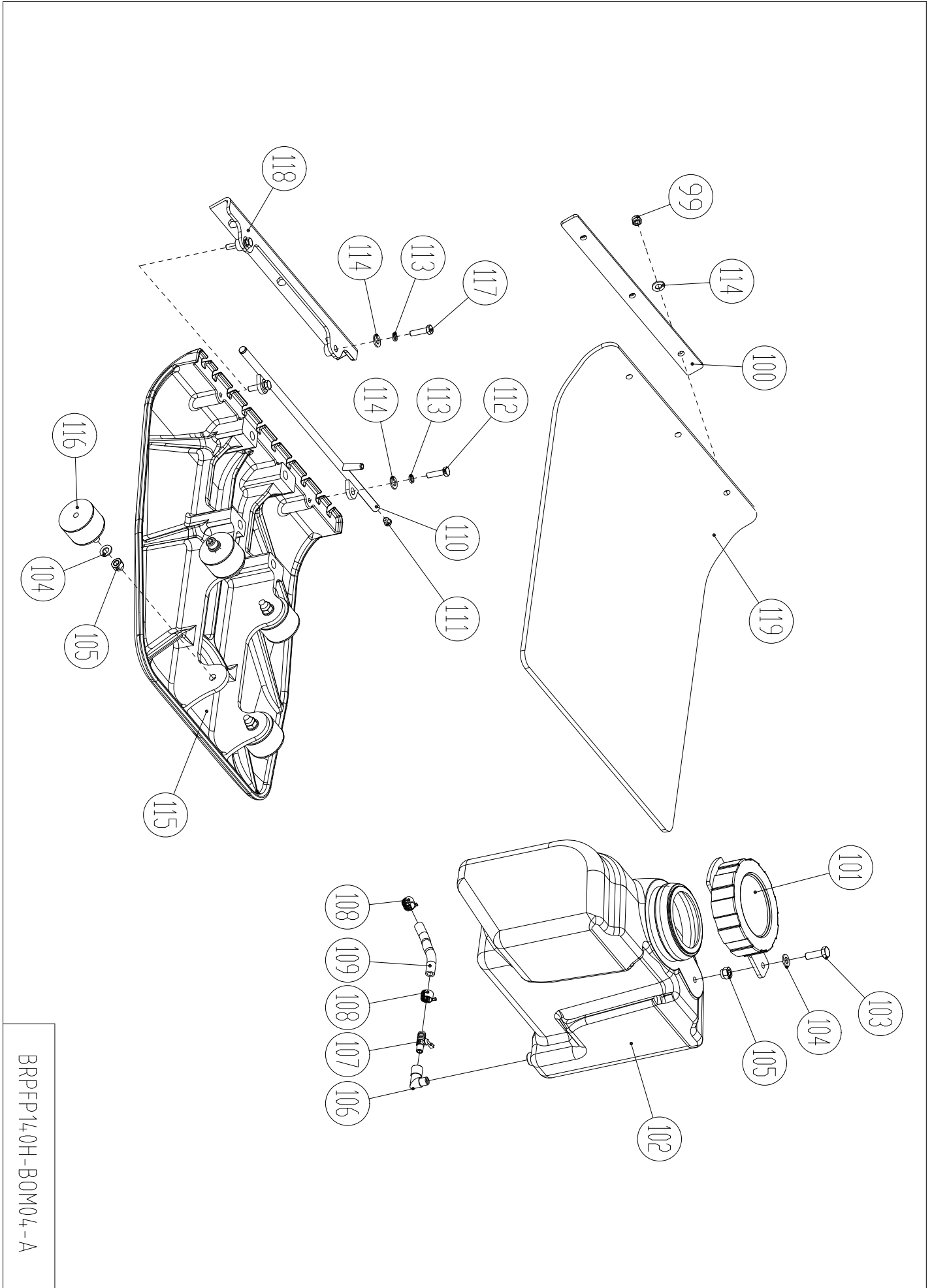
ITEM NO.	PART NO.	DESCRIPTION	QTY	REMARK
49	BR20306103	HEX HEAD SCREW M8x25	4	
50	BR20509006	SPRING WASHER	8	
51	BR40903013	VIBRATION BOX COVER	1	
52	BR21101154	O RING	1	
53	BR21004002	BEARING	2	
54	BR21103001	HEX HEAD PLUG	1	
55	BR21105002	GASKET	1	
56	BR40901025C	VIBRATION BOX	1	ORANGE
57	BR40401001	PLUG	1	
58	BR21105004	COPPER WASHER	1	
59	BR40404004	ROTARY SHAFT	1	
60	BR40507003	INNER BEARING/BUSHING	1	
61	BR21101354	O RING	1	
62	BR21108002	GASKET	1	
63	BR21101453	O RING	1	
64	BR40903014	VIBRATION BOX COVER	1	
65	BR20306102	HEX HEAD SCREW	4	
66	BR21106007	GASKET	1	
67	BR40607001	PULLEY	1	
68	BR20601013	RETAINING RING	1	
69	BR40401004	SCREW M8X16	1	
70	BR40707004	THREAD BUSHING	1	
71	BR40707005	THREAD BUSHING	1	



BRPFP140H-BOM03-A

**BRPFP140H**

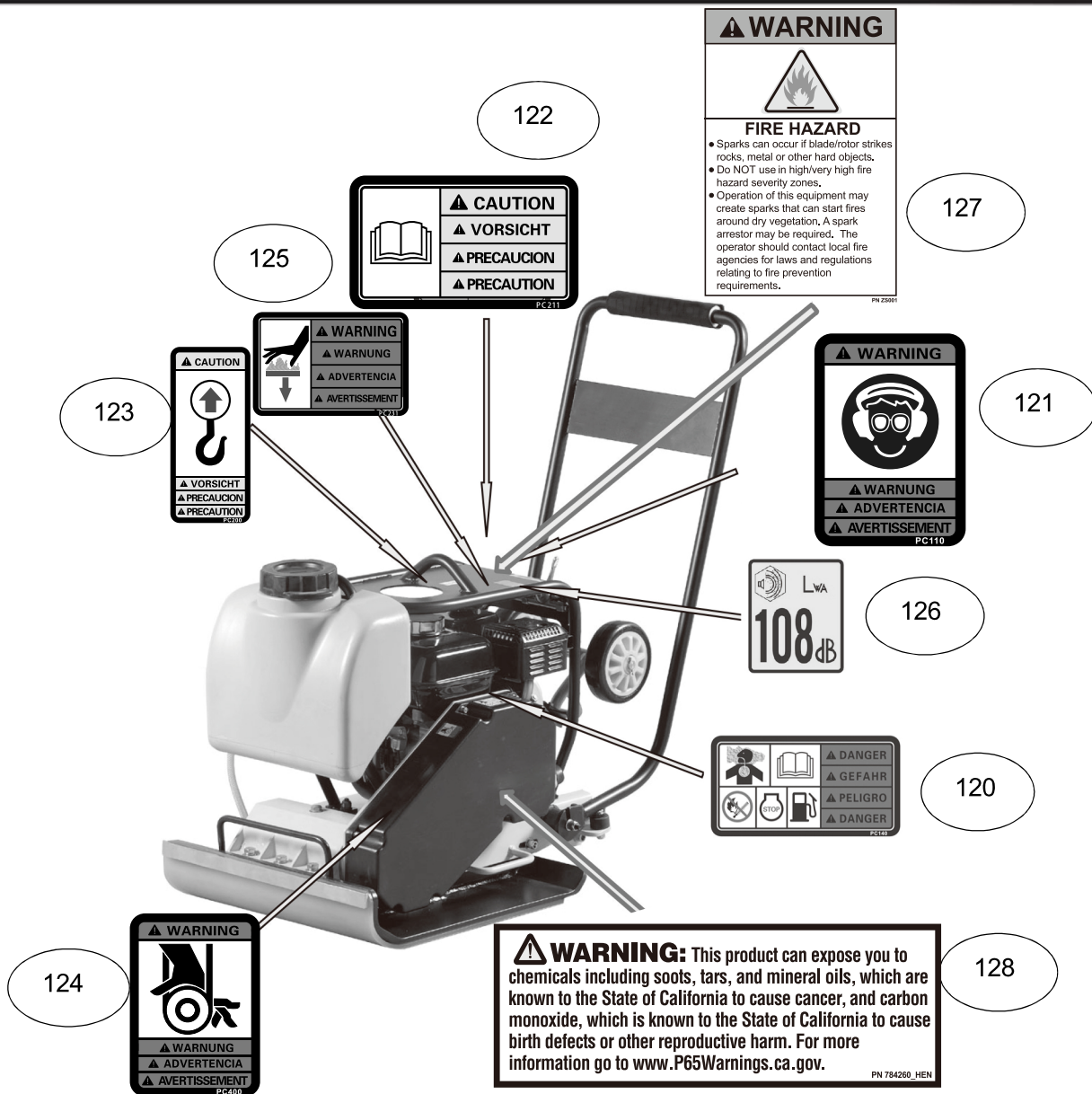
ITEM NO.	PART NO.	DESCRIPTION	QTY	REMARK
78	BR41205012	SHOCK ABSORBER	2	
79	BR40406003	HANDLE	1	
80	BR20306101	SOCKET HEAD SCREW M8X16	6	
81	BR20509006	SPRING WASHER	2	
82	BR40406004	HANDLE UPPER, LEFT	1	
83	BR40406005	HANDLE UPPER, RIGHT	1	
84	BR51702001	ANTI-VIB. HANDLE	1	
85	BR20102154	HEXAGON BOLT M10X30	2	
86	BR20509008	SPRING WASHER	2	
87	BR40504010	FLAT WASHER	2	
88	BR41201049	NYLON WASHER	4	
89	BR41201050	NYLON SLEEVE	2	
90	BR40402005	SHAFT	2	
91	BR40103010	SPRING CLIP	2	









## BRPFP140H

ITEM NO.	PART NO.	DESCRIPTION	QTY	REMARK
99	BR20405004	LOCK NUT	3	
100	BR40203377	PRESS PLATE	1	
101	BR41205013	WATER TANK COVER	1	
102	BR41207006	WATER TANK	1	
103	BR20102154	HEX BOLT	1	
104	BR20501009	FLAT WASHER	2	
105	BR20405006	HEXAGONAL NUT M10-GB889	2	
106	BR41103001	ELBOW	1	
107	BR41403010	COCK, WATER TANK	1	
108	BR41406008	CLAMP	2	
109	BR41002051	SPRINKLING PIPE	1	
110	BR41002045	SPRINKLING PIPE	1	
111	BR21199014	NYLON PLUG	2	
112	BR20102101	BOLT M8X20 GB5783	2	
113	BR20509006	SPRING WASHER	2	
114	BR20501007	FLAT WASHER	2	
115	BR40803019	BASE PLATE	1	
116	BR41201003	SHOCK ABSORBER	4	
117	BR20102105	BOLT M8X20-GB5783	2	
118	BR40203376	PRESS PLATE	1	
119	BR140-RM	RUBBER MAT	1	41203006



Item No	ERP No	Label	Meaning
120	BR70701002		<p><b>DANGER!</b> Engines emit carbon monoxide; operate only in well-ventilated area. Read the Operation Manual for machine information. No sparks, flames, or burning objects near the machine. Shut off the engine before refueling. Use only clean, filtered unleaded gasoline.</p>
121	BR70701001		<p><b>WARNING!</b> Always wear hearing and eye protection when operating this machine.</p>
122	BR70701006		<p><b>CAUTION!</b> Read and understand the supplied Operation Manual before operating the machine. Failure to do so increase the risk of injury to yourself or others.</p>
123	BR70701004		<p><b>CAUTION!</b> Lifting point.</p>
124	BR70701010		<p><b>WARNING!</b> Hand injury if caught in moving belt. Always replace belt guard.</p>

Item No	ERP No	Label	Meaning
125	BR70701009		WARNING! Hot surface!
126	BR70701054		Guaranteed sound power level in dB(A).
127	BR70701337		WARNING! Fire hazard.
128	BR70702103		WARNING! Exposure hazard.

# **BRAVE**

A brand of Great Northern Equipment Distributing, Inc.  
20195 South Diamond Lake Road, STE 100  
Rogers, MN 55374  
800-350-8739  
[www.braveproducts.com](http://www.braveproducts.com)