

AIPER®

— bring vacation home —

HANDHELD RECHARGEABLE POOL VACUUM

User Manual

Aiper Pilot H2



Thank you for choosing the Aiper Pilot H2 handheld pool vacuum. You have joined millions of people already enjoying the Aiper experience.

This user manual will help you keep your vacuum performing its best. Please take a few moments to read through it.

If you have any questions, please contact the Aiper Customer Care team for assistance or visit www.aiper.com for more information.

Aiper Customer Service:

Email: service@aiper.com

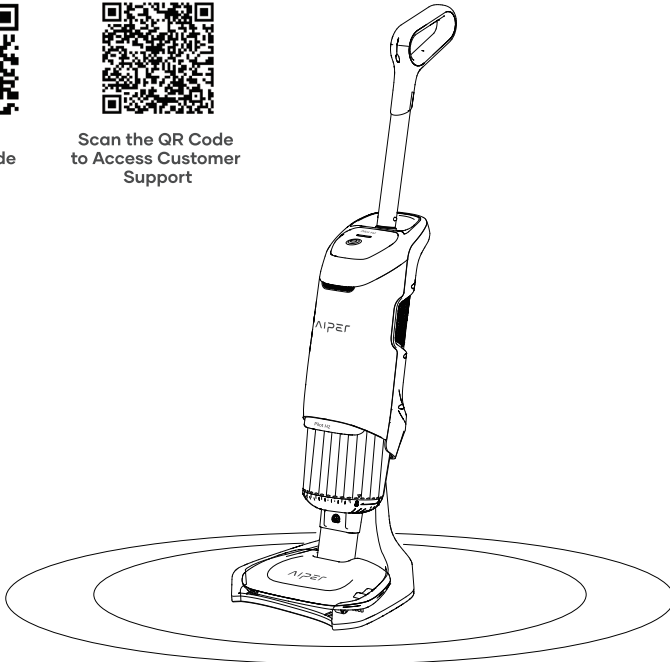
Facebook: [@AiperOfficial](https://www.facebook.com/AiperOfficial)



Scan for
Video Guide



Scan the QR Code
to Access Customer
Support



English

CONTENTS

Important Safety Precautions -----	3
1. Structure -----	4
2. Specifications & Working Conditions -----	5
3. Using Your Aiper Pool Cleaner -----	6
4 Installation -----	6
5. Operating Your Device -----	8
6. Disassembly and Cleaning -----	9
7. Charging -----	11
8. Maintenance & Storage -----	12
9. LED Indicator-----	15
10. Packing List -----	16
11. Warranty -----	16

Important Safety Precautions

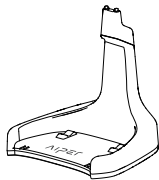
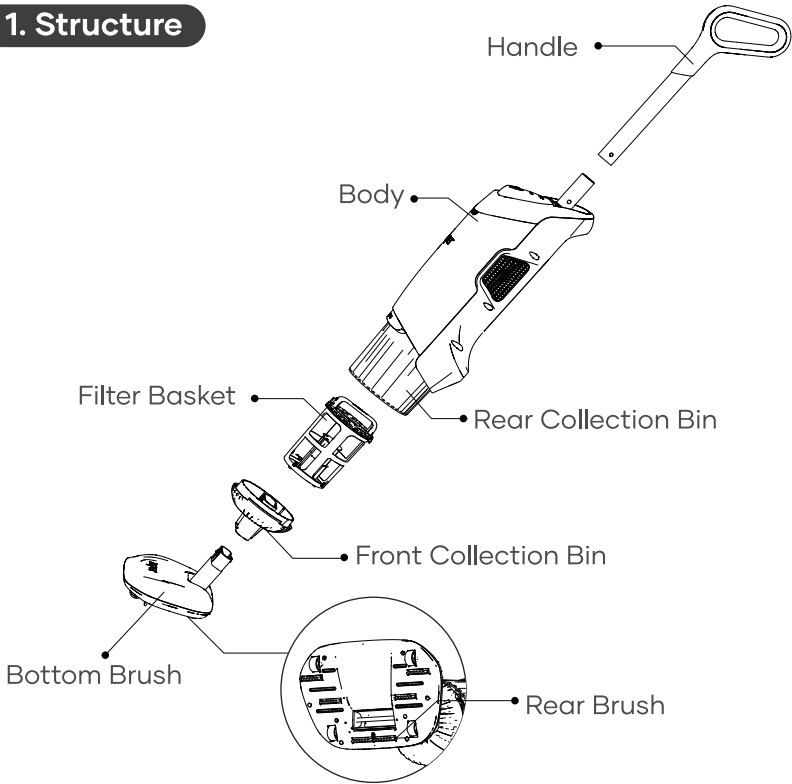
Persons under the age of thirteen should not operate the Pilot H2. Anyone intending to use the device should carefully read the user manual before operating the device.

For your safety and optimal performance of this device, please read and follow the following suggestions.

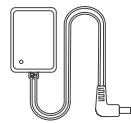
1. The device is designed to clean swimming pools and spas.
2. Only use the original or authorized battery and charger when using the device.
3. Only charge the Pilot H2 when powered off.
4. When not in use, the Pilot H2 should be stored in a clean, cool, dry place.
5. Do not operate the device out of the water.
6. Do not block the vacuum head with your hand or run it over your body, as this may cause injury.
7. If you believe the device is malfunctioning, immediately cease operation and contact customer service.
8. Optimal working conditions:
 - 8.1 Water depth: 1.6-10ft (0.5-3m)
 - 8.2 Water temperature: 50-95°F (10-35°C)

Please read this user manual carefully before operating the device.

1. Structure



Charging Dock



Charger

2. Specifications & Working Conditions

1. Operating Modes: Standard Mode & Power Mode
2. Charger Input: 100~240V, 50/60Hz
3. Charger Output: 12.6V/1.19A
4. Charging Time: 2 Hours
5. Battery Life: Standard Mode - 70Mins; Power Mode - 45Mins
6. Suction: Standard - 80LPM; Power Mode - 110LPM
7. IP Grade: IPX8 Waterproof
8. Water Depth: 1.6ft(0.5m)-10ft(3m)
9. Motor Power: Standard Mode - 20W; Power Mode - 35W
10. Battery Pack: 2600mAh

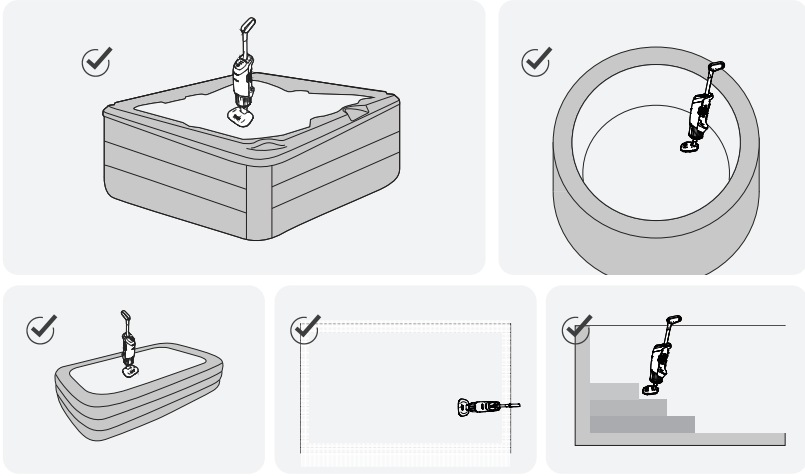
CAUTION:

To work at maximum efficiency, Aiper recommends the following water conditions for your pool.

- Temperature: 50-95°F (10-35°C)
- pH Value: 7.0-7.4
- Chlorine: Maximum 4 ppm
- NaCl: Maximum 5000 ppm

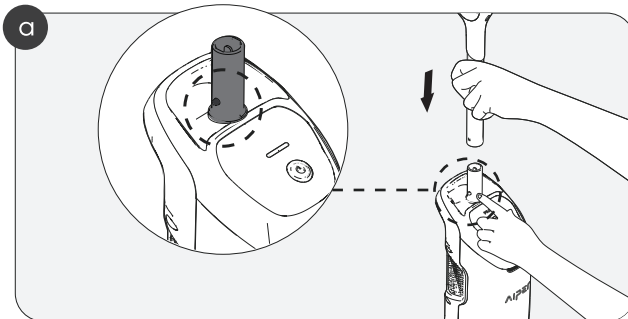
3. Using Your Aiper Pool Cleaner

The pool cleaner is designed for cleaning pool floors(extension rod needed), steps, and corners of inground pools, above ground pools and is safe to use in inflatable pools.

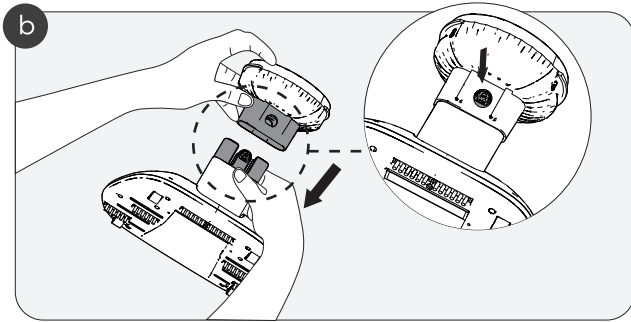


4. Installation

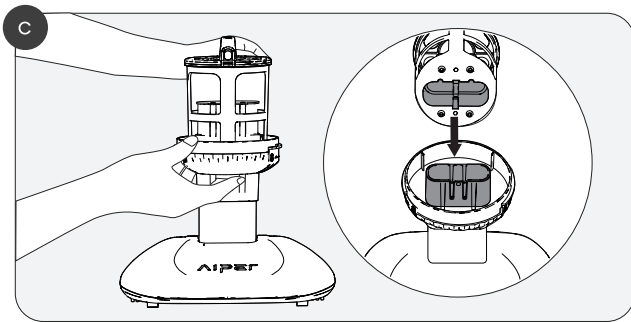
a. Install the handle onto the body.



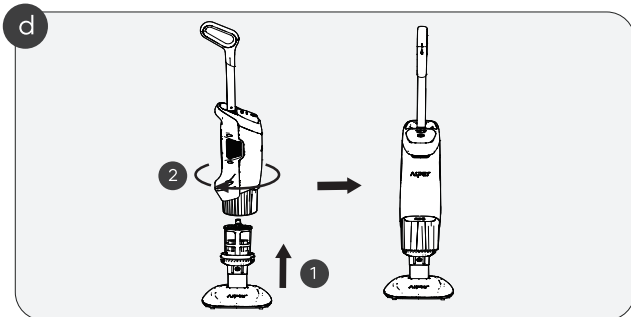
b. Install the front collection bin onto the bottom brush base.



c. Attach the filter basket onto the body.

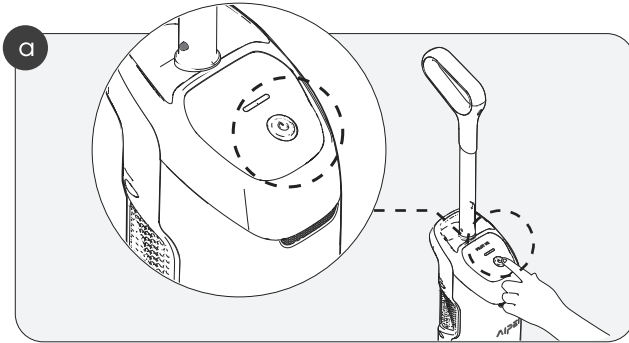


d. Tighten and secure the front dustbin to the floor brush base and rear dustbin.



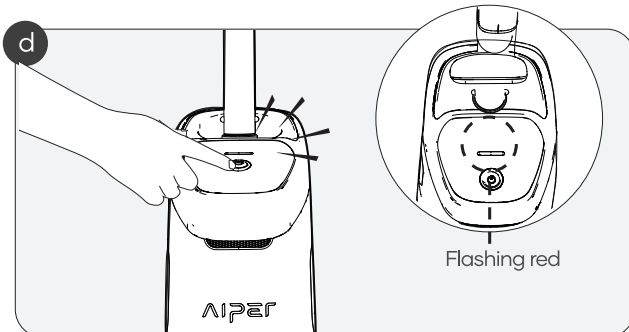
5. Operating Your Device

- a. Press and hold the operations button (the round & blue button) for one second until the indicator light comes on.

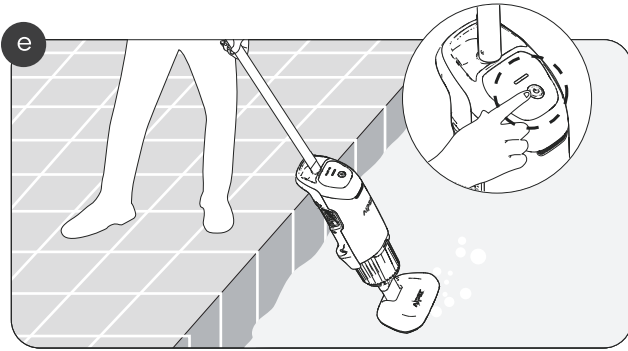


- b. To switch to Power mode, press the operations button. To switch back to standard mode, press the operations button again.
- c. Put the device in water within thirty seconds, or the device will automatically shut down. The device will begin cleaning within five seconds of being submerged in water.

- d. If the LED indicator flashes red, the battery is low.

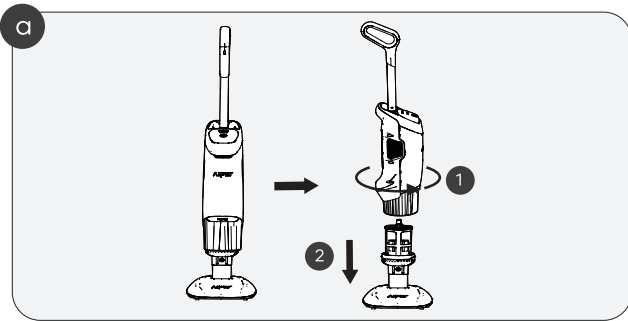


- e. Before removing the device from your pool, press and hold the operations button for two seconds to power down the device.

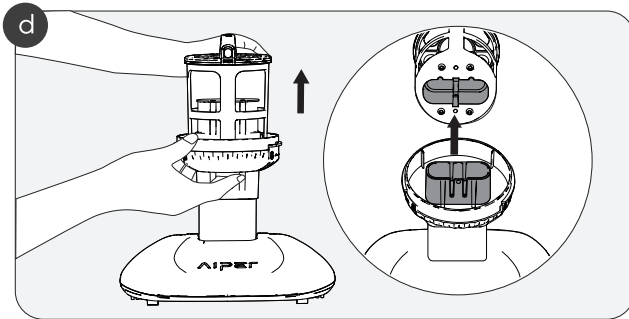


6. Disassembly and Cleaning

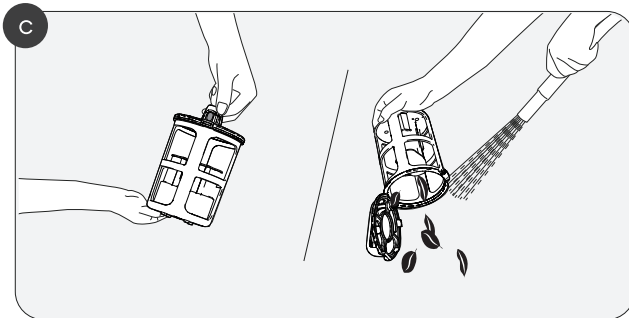
- a. Detach the front collection bin and bottom brush base from the rear collection bin.



b. Remove the filter basket.

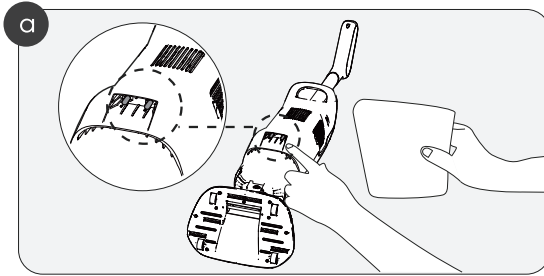


c. Open, empty, and rinse the filter basket.

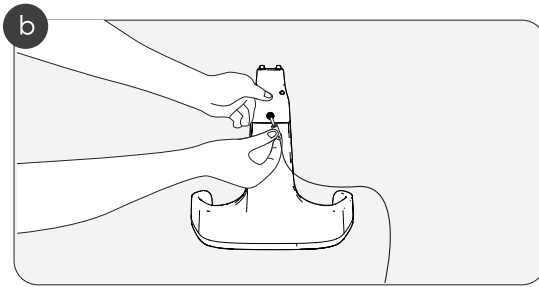


7. Charging

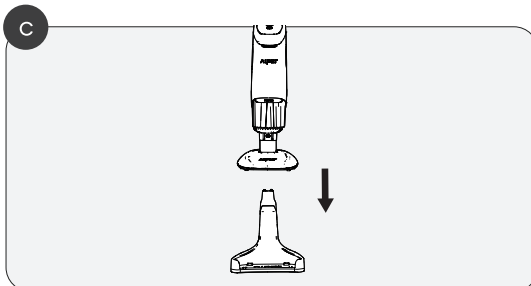
- a. Before charging, wipe down the charging ports to prevent electrical discharge.



- b. Insert the charger into the charging port on the back of the charging dock.



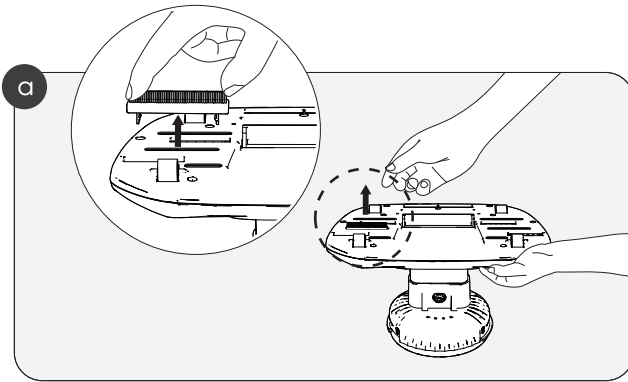
- c. Insert the Pilot H2 into the charging dock by aligning the grooves on dock with your Pilot H2.



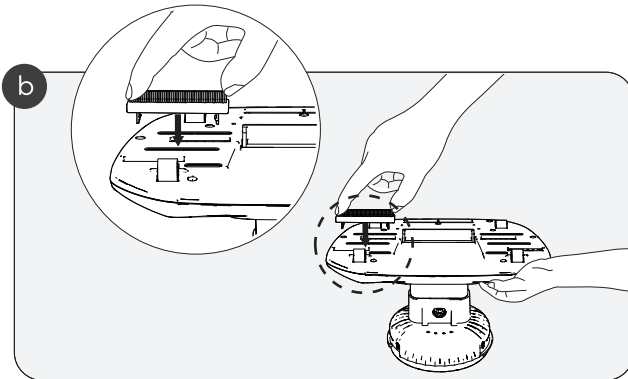
8. Maintenance & Storage

8.1 Replacing bottom brushes

a. Detach the bottom and rear brushes by hand as needed.

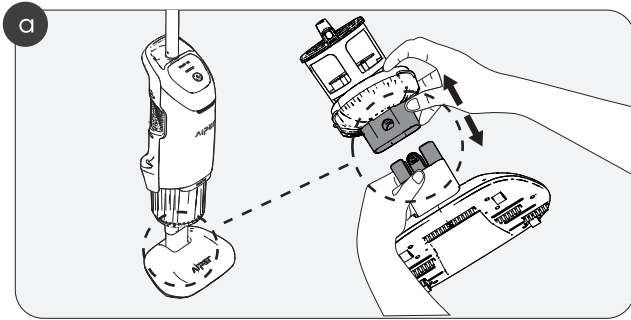


b. Insert new brushes into the slots.

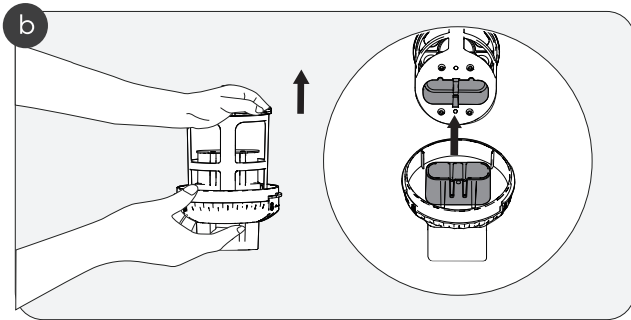


8.2 Cleaning

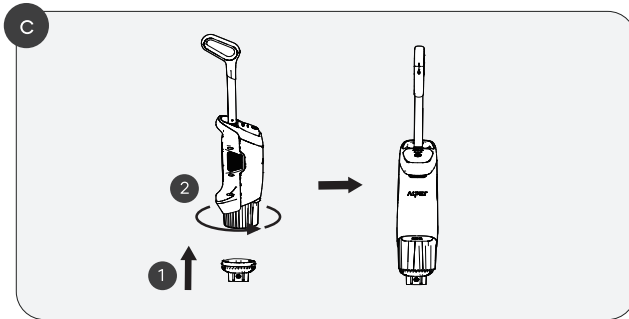
a. Detach the front collection bin, bottom, and rear brushes.



b. Remove the waste basket.

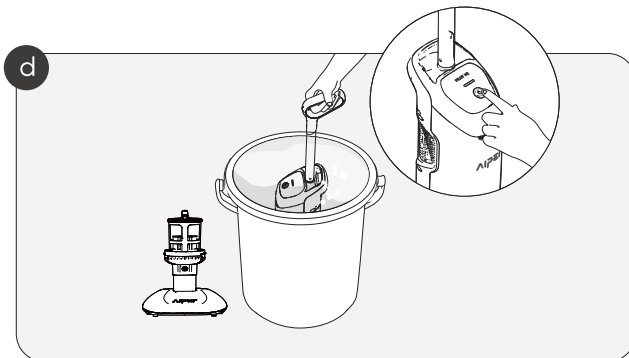


c. Reattach the front collection bin.



d. Place the device into clean water, operating it as needed to clean the internal components.

Ensure the suction inlet and water outlets are submerged in water during working.



9. LED Indicator

Vacuum Status	Operating Instructions	Indicator Light Status	Description
Power On/Battery Level	Press the operation button for 1s to turn on the device.	The indicator light remains on.	Green: 100-61%
			Blue: 60-31%
			Red: 30-12%
			Flashing red: <12%
Operation	This device starts in standard mode on start-up. Press and hold the Operations button to switch to the Power Mode.	The white LED indicator light and the battery indicator light blink alternatively.	/
	In Power mode, press the Operations button to switch to Standard mode.	The battery indicator light will stay on.	/
Low Battery	/	The LED indicator will slowly flash red.	/
Charging	The vacuum can only be charged while powered off.	Pulsing Light	The LED indicator will display a solid green glow when the device is fully charged.
			Green: 81-99%
			Blue: 51-80%
Power Off	Press and hold the operation button for 2s to turn off the vacuum.	Light off	The indicator light is off.

10. Packing List

NO.	Name	Model	QTY(pc)
1	Aiper Device	Aiper Pilot H2	1
2	Charger	/	1
3	Charging Dock	/	1
4	User Manual	/	1

11. Warranty

This product has passed quality control and safety test conducted by our technicians.

1. This product comes with a warranty that covers your item's battery and motor from the date of purchase. The respective country's legal provisions for warranty conditions shall apply accordingly.
2. This warranty is voided if the product has been altered, misused, or has been repaired by unauthorized personnels.
3. The warranty extends only to manufacturing defects and does not cover any damage resulting from mishandling of the product by the owner.
4. The order number or record must be presented for any claim or repair during the warranty period.
5. This is an additional warranty offered by Aiper Intelligent, LLC. at 43-47 avenue de la Grande Armée, 75116 Paris, France. This warranty does not affect the free of charge remedies for lack of conformity that the consumer holds against the seller, according to law.
6. Warranty Email: service01@aiper.com



Declaration of Conformity (CE)

The EU declaration of conformity can be requested via the address below:

AIPER INTELLIGENT SARL
43-47 avenue de la Grande Armée,
75116 Paris, France



Aiper hereby declares that this product complies with all the requirements of the applicable EU directives 2014/35/EU (LVD); 2014/30/EU (EMC); 2011/65/EU (RoHS) – You'll find the full text of the Declaration of Conformity, available at this QR code.