

GP15500EFI

GP SERIES
Commercial/Residential
Portable Generators

Model 7705-0 UPC: 696471083705
(EPA/49-State)

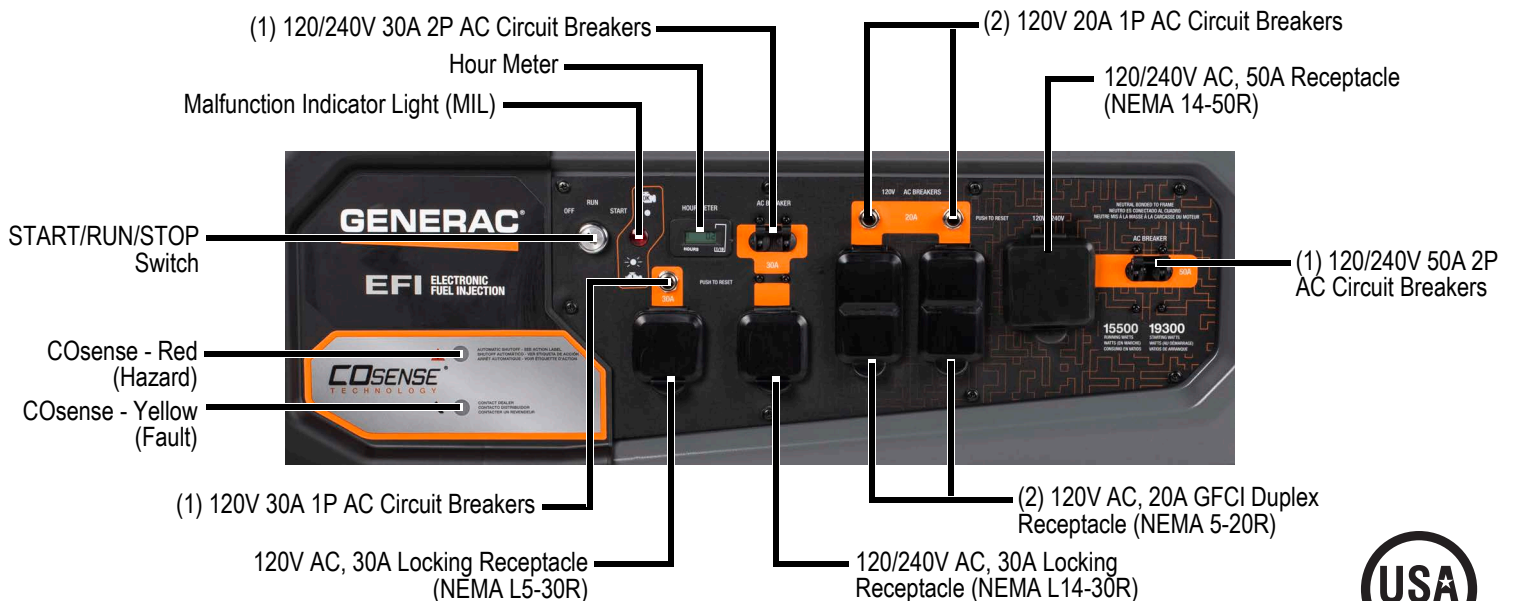
Features

- **COsense® Technology** – STOPS, ALERTS, SAVES. Powerful protection from hazardous carbon monoxide.
- **Generac 816cc EFI engine** delivers the right amount of power to get the best performance and efficiency out of your engine.
- **True Power Technology**, with less than <5% THD to safely power sensitive electronic equipment in your home.
- **Low-oil pressure shutdown** automatically safeguards engine from damage.
- **Large-capacity fuel tank** with incorporated fuel gauge provides durability and extended run times.
- **Hardened 1 1/4" steel tube cradle** for added strength and durability.
- **Hour Meter** tracks maintenance intervals.
- **Heavy-duty, never-flat wheels** for reliable portability.
- **Electric Start**, battery included, provides hassle-free start-up.



AC Rated Output Running Watts 15500
AC Maximum Output Starting Watts 19300

49-State Control Panel



*Assembled in the USA using domestic and foreign parts

GP15500EFI

Specifications

Product Series	GP15500EFI
Model (Configuration)	7705-0 (EPA/49-State)
AC Rated Output Running Watts	15500
AC Maximum Output Motor Starting Watts	19300
Rated AC Voltage	120/240 VAC
Rated AC Frequency	60 Hz
Rated VAC Amperage	64.5 /129
Engine Displacement	816cc
Engine Type	OHVI
Engine RPM	3600
Recommended Oil	10W-30 / SAE30
Oil Capacity qt (L)	w/ Filter Change: 2.2 (2.1) w/o Filter Change: 2.0 (1.95)
Lubrication Method	Oil Pump
Automatic Voltage Regulation (AVR)	Yes
Starting Method	Electric
Low Oil Shutdown Method	Low Pressure
Battery Included	Yes
Battery Type	Group U1

Battery Part No.	N/A (Replacement batteries must be purchased locally)
Battery Dimensions	Group U1 has a standard case size
Neutral Bonded to Ground	Yes - Neutral Bonded to Frame
Start Switch Type	Off/Run/Start Switch
Switch Location	On Control Panel
Fuel Gauge	Built-In Tank
Fuel Tank Capacity Gal (L)	14.2 (54.0)
Run Time at 50% Load (Hours)	11
Handle Style	Folding, Locking
Wheel Type	12" Never-flat Wheels
Warranty- Residential	3 Year Limited
Warranty- Commercial	2 Year Limited

Dimensions and Weights

Length in (mm)	58.5 (1485)
Width in (mm)	30.9 (785.5)
Height in (mm)	36.5 (928.1)
Carton Length in (mm)	40 (1016)
Carton Width in (mm)	27 (685.8)
Carton Height in (mm)	37.7 (958.2)
Unit Weight lbs (kg)	420 (191)
Shipping Weight lbs (kg)	450 (204)

