

Smart Management Modules (SMM)

GENERAC® ACCESSORIES



Model G007000-0
UPC 696471070002



FEATURES

Generac's Smart Power Management System is designed to optimize the performance of a standby generator. The system can consist of up to 8 individual Smart Management Modules (SMM). Unlike other load management systems that depend on another control device, the SMM modules are actually self-aware and operate autonomously.

Frequency is the true measure of generator engine performance and does not need to factor in increased ambient temperatures, elevation changes or generator fuel type. The modules monitor the frequency (Hz) of the power being produced by Generac's standby generators. If frequency falls below a certain threshold, the module will automatically follow a power management algorithm to reduce the chance of a generator overload condition.

The modules can be set to a load priority between 1-8, or be set in a lock-out only mode for loads that just simply do not need to run in an outage. This reduces the minimum size of the generator for a more cost-effective solution.

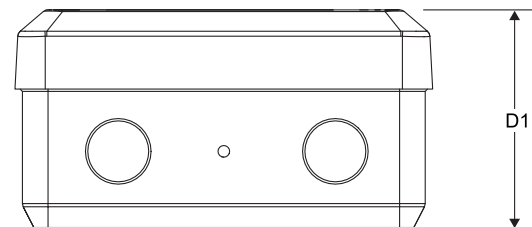
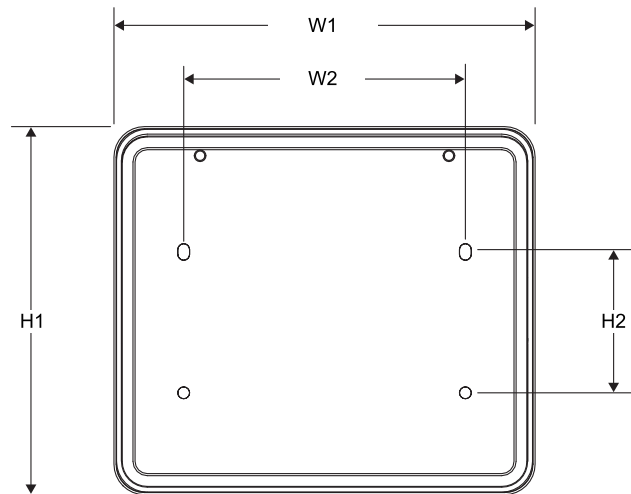
SMM SPECIFICATIONS

Power Supply Source	240 VAC (from Line input)
Contact Voltages	220/240 VAC
Contactors Coil Voltage	240 VAC
Coil VA Inrush	30
Coil VA Sealed	6.5
Poles	2
Resistive Amps	50
F/L Inductive Amps	40
Locked Rotor Amps	180
NEMA	3R
Enclosure Rating	UL 50
Frequency Selectability	50 Hz / 60 Hz

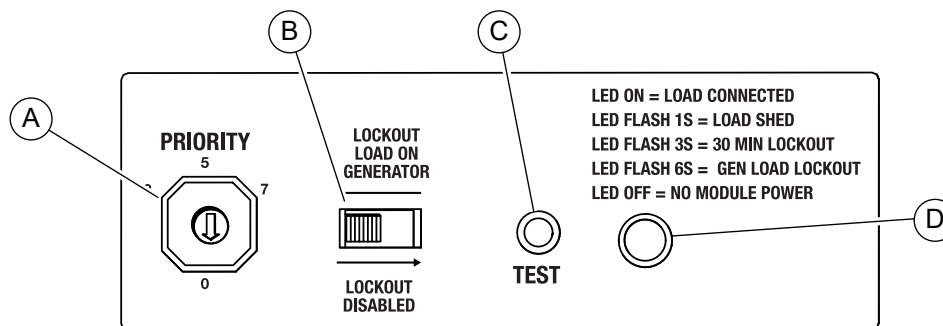
Smart Management Modules (SMM)

Dimensions and UPC

Model	G007000-0	
Height (in/mm)	H1	6.17 / 156.8
	H2	2.36 / 60
Width (in/mm)	W1	7.06 / 179.4
	W2	4.72 / 120
Depth (in/mm)	3.7 / 94	
Weight (lb/kg)	2.06 / 0.94	
Shipping Weight (lb/kg)	2.44 / 1.11	
UPC Code	696471070002	



SMM Controls (located behind the module cover)



- Priority Dial (A)** Sets module priority
- Lockout Switch (B)** Prevents load from operating when system is operating under generator power.
- Test Button (C)** Disables contactor output for a specified time.
- LED (D)** Provides module status with easy viewing through the external viewing window located in the upper right corner of the module.