



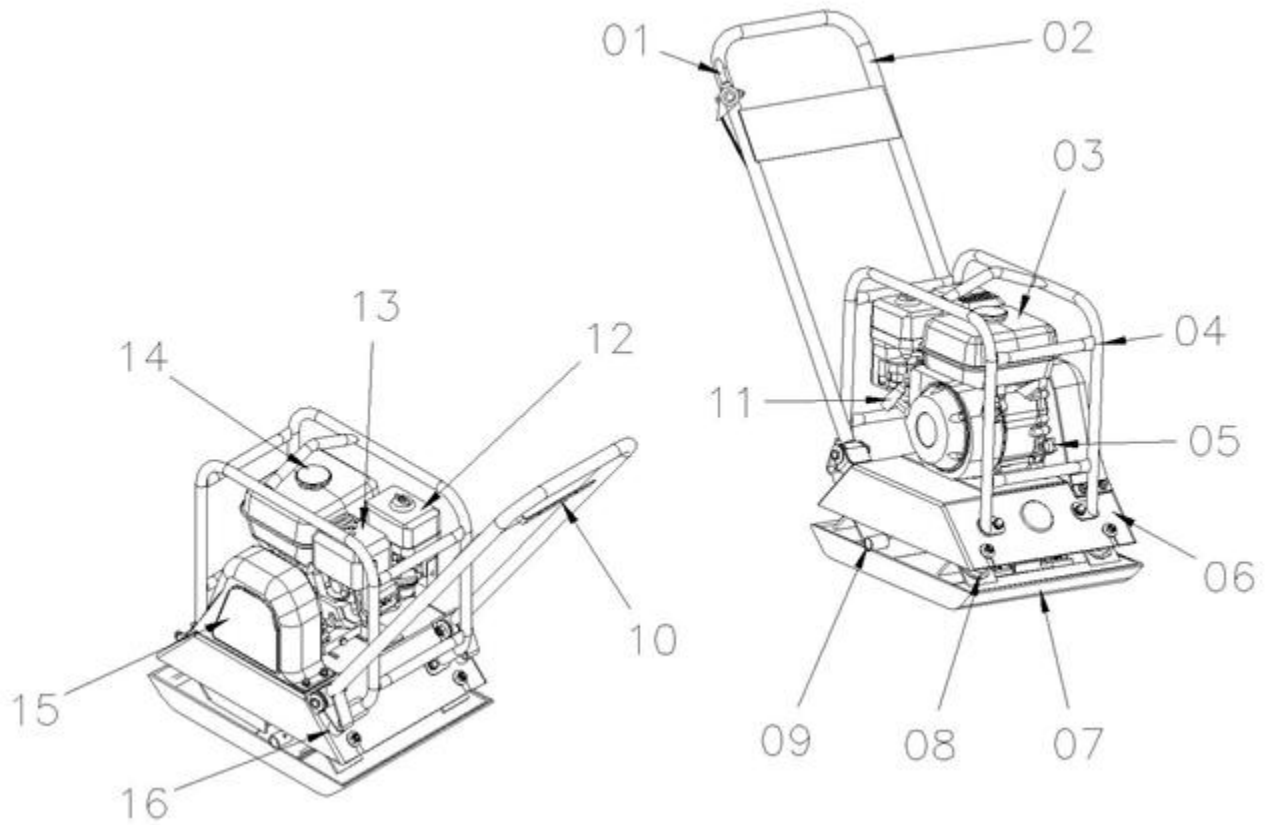
5.5 HP Single-Direction Plate Compactor

Parts List



Item # 49160

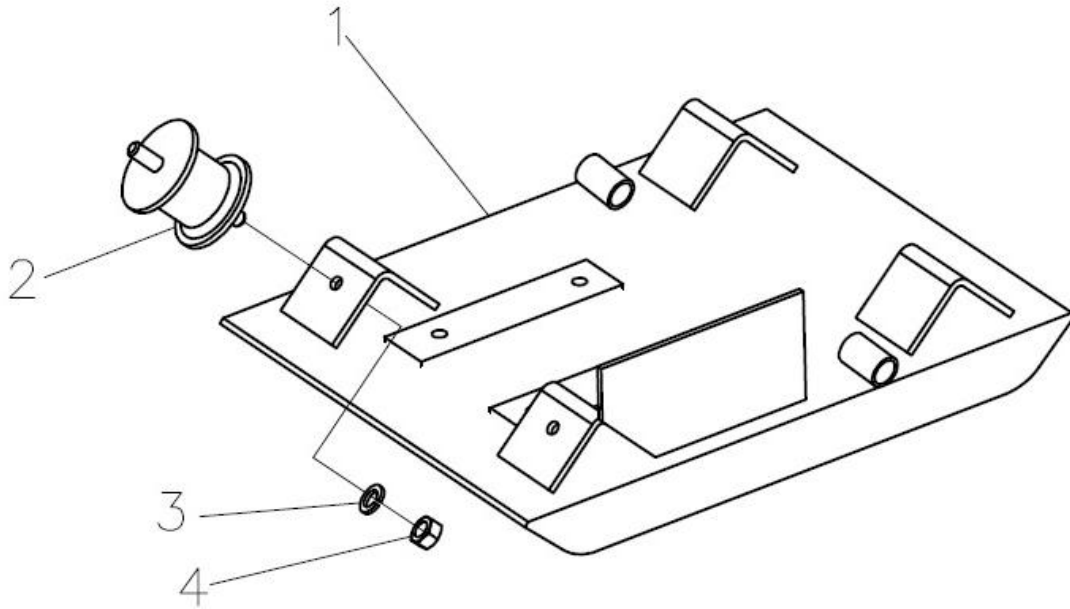
Main Parts of Plate Compactor



| | |
|----|------------------------|
| 01 | Accelerator lever |
| 02 | Handle |
| 03 | Engine Fuel Tank |
| 04 | Frame |
| 05 | Engine Oil Gauge |
| 06 | Engine Base Plate |
| 07 | Vibratory Plate |
| 08 | Isolated Rubber |
| 09 | Transfer Wheel Bushing |
| 10 | Tool Pocket |
| 11 | Engine Recoil Starter |
| 12 | Engine Air Filter |
| 13 | Engine Muffler |
| 14 | Engine Fuel tank Cap |
| 15 | Belt Cover |
| 16 | Handle Stopper Rubber |

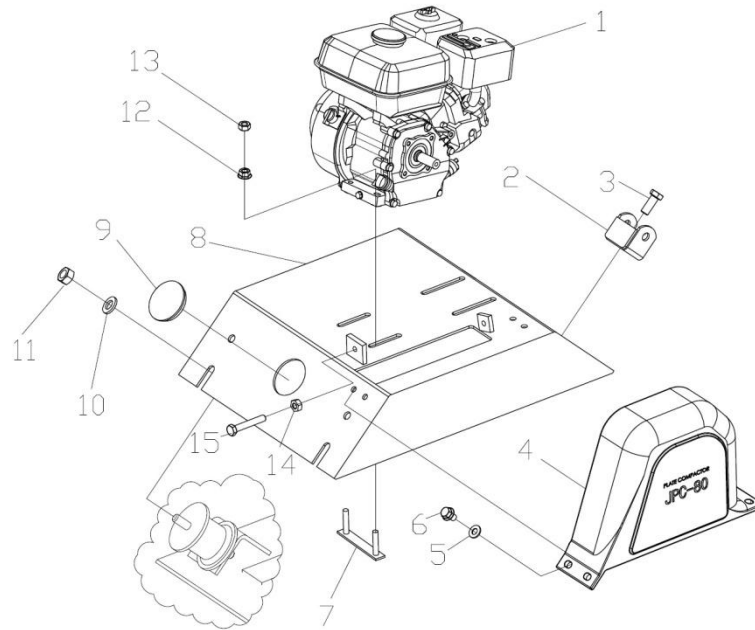
Parts Diagram

Base Plate



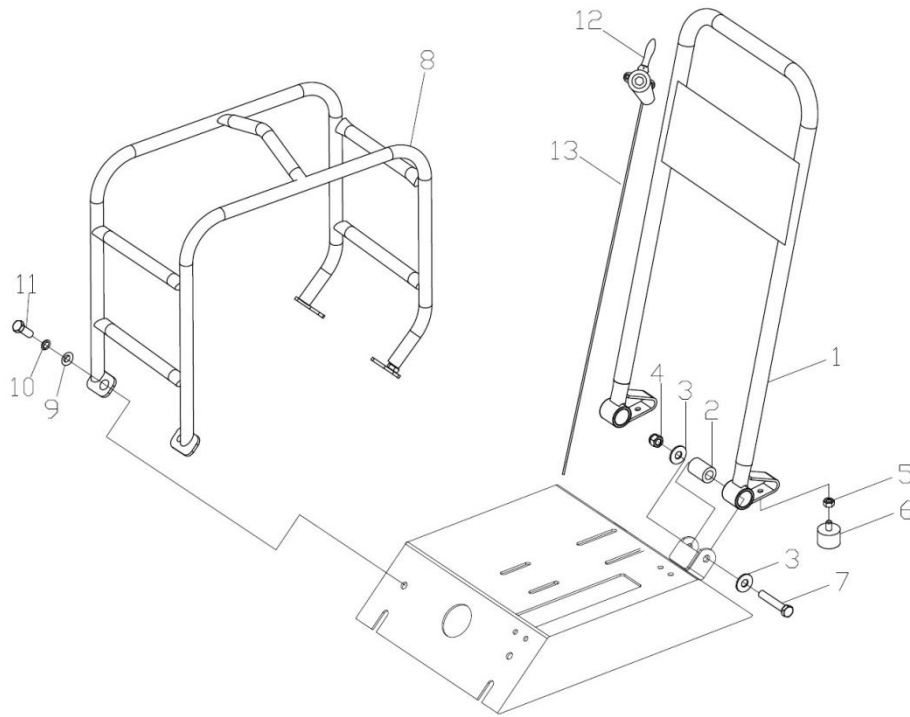
| Ref. | Part No. | Description | Qty | Remark |
|------|-----------|-------------------------------|-----|---------|
| 1 | PB010-000 | 80 Base Plate WA | 1 | 545*415 |
| 2 | PB130-001 | Vibration Isolator Rubber(60) | 4 | NBR |
| 3 | QWS-SM10 | Spring Washer | 4 | M10 |
| 4 | QNT-M10 | Nut | 4 | M10 |

Engine Base Plate



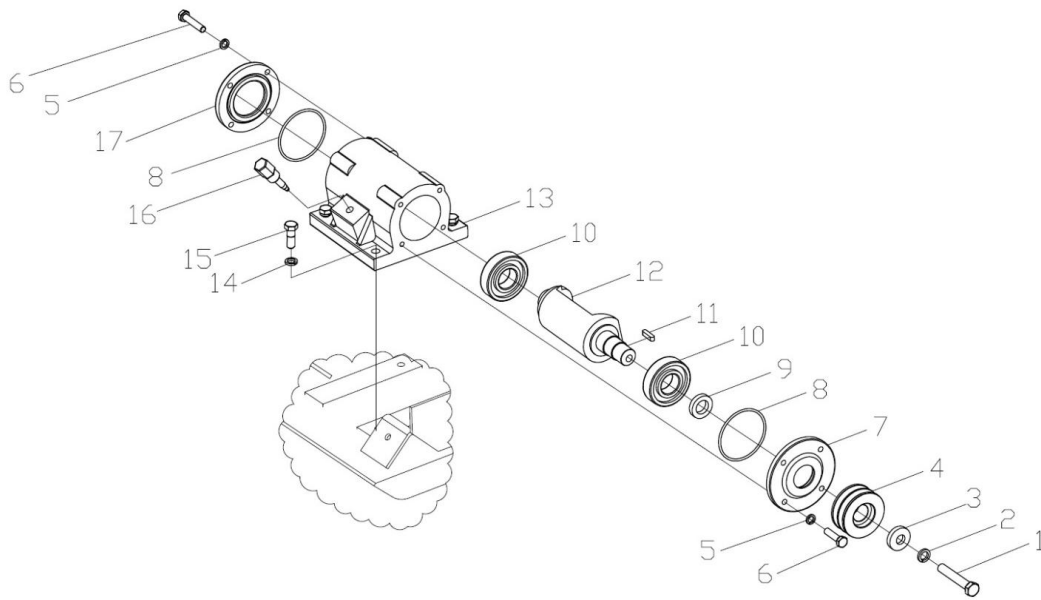
| Ref. | Part No. | Description | Qty | Remark |
|------|------------|--------------------|-----|------------------|
| 1 | GX160-S | Engine | 1 | GX-160 S-type |
| 2 | PB050-000B | Handle Bracket WA | 2 | |
| 3 | QBL-M10X25 | Bolt | 2 | M10*25L |
| 4 | PB130-001 | Belt Cover | 1 | |
| 5 | QWS-PM8 | Plain Washer | 4 | M8 |
| 6 | QBL-FM8x25 | Flange Bolt | 4 | M8*25 |
| 7 | Fix45-000 | Engine Fixing Bolt | 2 | |
| 8 | PB020-000B | 80 Engine Base WA | 1 | |
| 9 | PB130-004 | Rubber Cap | 1 | |
| 10 | QWS-SPM10H | Plane Washer | 4 | M10 Ø 30 (10.9T) |
| 11 | QNT-NM10 | Nylon Nut | 4 | M10 |
| 12 | QNT-FM8 | Flange Nut | 4 | M8 |
| 13 | QNT-M8 | Nut | 4 | M8 |
| 14 | QNT-M10 | Nut | 1 | M10 |
| 15 | QBL-M10X50 | Bolt | 1 | M10*50L |

Frame and Handle



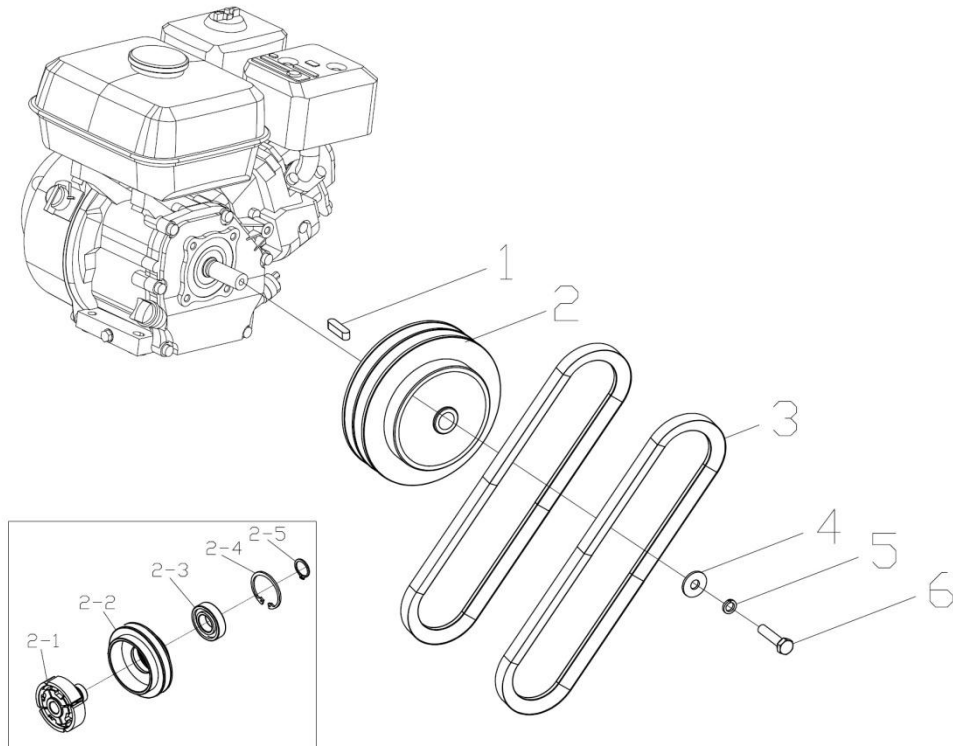
| Ref. | Part No. | Description | Qty | Remark |
|------|-------------|------------------------|-----|---------------|
| 1 | PB070-000 | 80 Handle WA | 1 | |
| 2 | PB130-003 | Handle Bushing Rubber | 2 | |
| 3 | QWS-PM12 | Plain Washer | 4 | M12 |
| 4 | QNT-NM12 | Nylon Nut | 2 | M12 |
| 5 | QNT-M8 | Nut | 2 | M8 |
| 6 | PB130-002 | Handle Stop Rubber | 2 | |
| 7 | QBL-M12X70S | Bolt | 2 | M12*70L(10.9) |
| 8 | PB030-000 | Frame Welding Assembly | 1 | |
| 9 | QWS-PM10 | Plain Washer | 4 | M10 |
| 10 | QWS-SM10 | Spring Washer | 4 | M10 |
| 11 | QBL-M10X25 | Bolt | 4 | M10*25L |
| 12 | QTL-02 | Throttle Lever | 1 | |
| 13 | QTC-900 | Throttle Cable | 1 | |

Vibratory Housing Assembly



| Ref. | Part No. | Description | Qty | Remark |
|------|-------------|-----------------------|-----|-----------------|
| 1 | QBL-M12X35 | Bolt | 1 | M12x35 |
| 2 | QWS-SM12 | Spring Washer | 1 | M12 |
| 3 | QWS-SPM12 | Plane Washer | 1 | M12 Ø 40 |
| 4 | PB040-006 | Vibrator Pulley | 1 | GCD200 |
| 5 | QWS-SM8H | Spring Washer | 8 | M8 (10.9T) |
| 6 | QBL-M8X25H | Bolt | 8 | M8X25 (10.9T) |
| 7 | PB040-004 | Vibrator Front Cover | 1 | GCD200 |
| 8 | QOR-G80 | O-ring | 2 | G80 |
| 9 | QOS-32X48X8 | Oil Seal | 1 | 32 x 48 x 8 NOK |
| 10 | QBR-6307 | Bearing | 2 | #6307 |
| 11 | QKY-7X7X20 | Key | 1 | 7X7X20 |
| 12 | PB040-001 | Vibrator Rotary Shaft | 1 | GCD450 |
| 13 | PB040-002 | Vibrator Housing | 1 | GCD450 |
| 14 | QWS-SM12S | Spring Washer | 4 | M12 (10.9T) |
| 15 | QBL-M12X45S | Bolt | 4 | M12x45 (10.9T) |
| 16 | PP200-005 | Vibrator Oil Gage | 1 | SM20C |
| 17 | PB040-003 | Vibrator Rear Cover | 1 | GCD200 |

Clutch and Belts



| Ref. | Part No. | Description | Qty | Remark |
|------|------------|------------------------|-----|-----------------|
| 1 | QKY-5X5X50 | Key | 1 | 5X5X50 |
| 2 | PB100-20 | Clutch Pulley Assembly | 1 | |
| 3 | QBT-A29 | V-Belt | 2 | A29 |
| 4 | QWS-SPM8H | Plane Washer | 1 | M8 Ø 35 (10.9T) |
| 5 | QWS-SM8 | Spring Washer | 1 | M8 |
| 6 | QBL-M8X40 | Bolt | 1 | M8X40 |
| 2-1 | Clutch-20 | Clutch Shoe(Φ20) | 1 | FC20 |
| 2-2 | PB100-001 | Clutch Pulley | 1 | GCD200 |
| 2-3 | QBR-6206 | Bearing | 1 | 6206zz |
| 2-4 | QSR-R62 | Snap Ring | 1 | R62 |
| 2-5 | QSR-S30 | Snap Ring | 1 | S30 |



Distributed by
Northern Tool and Equipment Company, Inc.
Burnsville, Minnesota 55306
NorthernTool.com

Made in Korea