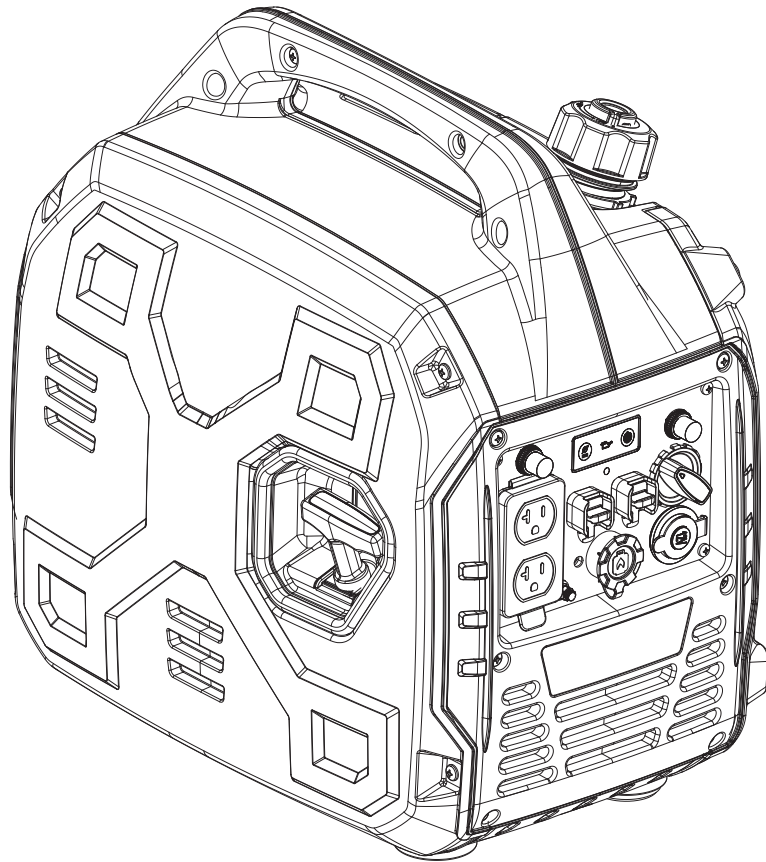


Champion Power Equipment, Inc., Santa Fe Springs, CA USA

MODEL #201183



PARTS INFORMATION

2500W DUAL FUEL INVERTER GENERATOR

SERIAL NUMBER RANGE: ALL



To order replacement parts please visit:
shop.championpowerequipment.com
or call **1-877-338-0999**.

TABLE OF CONTENTS

Inverter Generator Diagram	3
Inverter Generator Parts List	4
Engine Parts Diagram	6
Engine Parts List	7
Cylinder Head Diagram	8
Cylinder Head Parts List	9
Carburetor Diagram	10
Carburetor Parts List	11
Fuel Tank Diagram	12
Fuel Tank Parts List	13
Control Panel Diagram	14
Control Panel Parts List	15
Wheel Kit Diagram	16
Wheel Kit Parts List	17
Wiring Diagram	18

INVERTER GENERATOR DIAGRAM

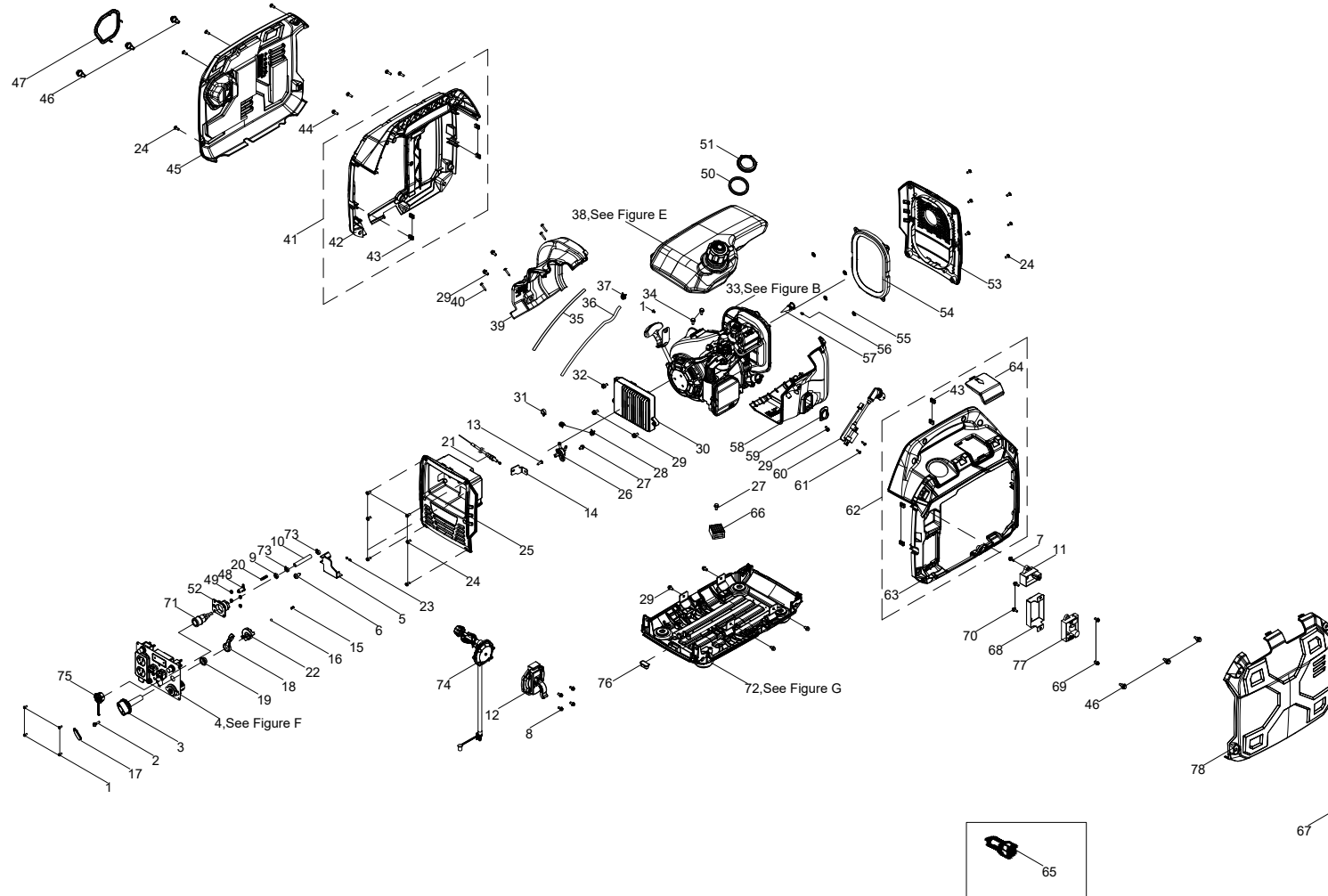


Figure A

INVERTER GENERATOR PARTS LIST

#	Part Number	Description	Qty.
1	100010946-0001	Screw M4 x 10	5
2	100137684-0003	Bolt M4 x 16	1
3	100715787	Fuel Valve Lever	1
4	100751349	Panel Assembly, See Figure F	1
5	100714558	Wire Stop Block	1
6	100011001-0004	Self-tapping Screw ST4.2 x 10	1
7	100011264-0003	Flange Bolt M6 x 16	1
8	100011570-0007	Big Flange Bolt M6 x 12, GB16674	4
9	100160807	Nut M10	1
10	100160808	Gas Hose	1
11	100715460	Fuel Solenoid Valve Controller	1
12	100715007	Mounting Cover, Gas Pressure Valve	1
13	100032967-0004	Self-tapping Screw ST4.2 x 16	1
14	100714544	Mounting Plate, Recoil Cord	1
15	100098271	Switch Spring	1
16	100099173	Steel Ball	1
17	100715786-0001	Cover, Fuel Switch Handle	1
18	100714543	Swing Arm	1
19	100714542	Block, Swing Arm	1
20	100157221	Spring, Mounting Seat	1
21	100714541	Cable	1
22	100712960	Switch Block	1
23	100091757	Circlip, Bearing Holder, Ø1.8 x Ø6	2
24	100081995	Step Bolt	16
25	100142063-0001	Front Panel, Black	1
26	100141146	Fuel Valve, Angle 45°	1
27	100011571-0001	Big Flange Bolt M6 x 14	2
28	100005149	Clamp 1, Ø7.5	2
29	100011570-0001	Big Flange Bolt M6 x 12	9
30	100711113	Inverter, 120V 60Hz	1

#	Part Number	Description	Qty.
31	100000671	Clip Ø13	1
32	100011249-0003	Bolt M5 x 12	1
33	1ZC7DC014	Engine 79cc	1
34	100033099-0006	Big Flange Bolt M6 x 18	2
35	100131884	Tube Sheath, Silicon Resin	1
36	100131883	Fuel Tube, L=275mm	1
37	100090871	Clamp 2, Ø9.7 x 8	1
38	100731655	Fuel Tank Assembly, See Figure E	1
39	100072874	Rear Air Guide	1
40	100011004-0001	Self-tapping Screw ST4.2 x 25	4
41	100092440-0007	Housing Assembly, Left Handle, Black	1
42	100139137	Housing, Left Handle, Black	1
43	100050562	Threaded Clamp	8
44	100033079-0003	Screw M5 x 16	4
45	100713139-0001	Side Cover Plate, Left, Yellow	1
46	100081994	Shaft Locating Bolt	6
47	100713141	Deco Trim, Recoil	1
48	100157217	Sliding Block, Mounting Seat	1
49	100011065-0002	Nut M4	4
50	100073150	Rubber Washer	1
51	100008887	Lock Nut	1
52	100157218	Mounting Seat, Self-locking Quick Connector	1
53	100142062-0001	Rear Panel, Muffler, Black	1
54	100072722	O-ring Seal	1
55	100087972	Retainer Ring	4
56	100011000-0001	Self-tapping Screw ST4.2 x 9.5	1
57	100085794	Spark Arrester Assembly	1
58	100072875	Front Air Guide	1
59	100072878	Oil Seal	1
60	100752619	Ignition Coil	1

#	Part Number	Description	Qty.
61	100093250-0005	Self-tapping Screw ST4.8 x 20	2
62	100092441-0007	Housing Assembly, Right Handle, Black	1
63	100139138	Housing, Right Handle, Black	1
64	100092444-0005	Spark Plug Maintenance Plate, Black	1
65	100155005-0002	12VDC USB Adapter	1
66	100750451	Rectifier Bridge, Capacitance	1
67	100163606	Bolt	4
68	100751697	CO Alarm Housing	1
69	100011261-0004	Flange Bolt M6 x 12	2
70	100729649-0001	Screw M5 x 12	2
71	100157219	Self-locking Quick Connector, Female	1
72	100731653	Switch Box Base Kit, See Figure G	1
73	100759576	Clamp, Fuel Hose	2
74	100711152-0001	LPG Hose with Regulator	1
75	100158478	Protector Cover, Quick Connector	1
76	100072710	Rubber Damper	1
77	5.1830.022	CO Shutdown Module	1
78	100713140-0001	Housing Assembly, Right, Yellow	1

ENGINE PARTS DIAGRAM

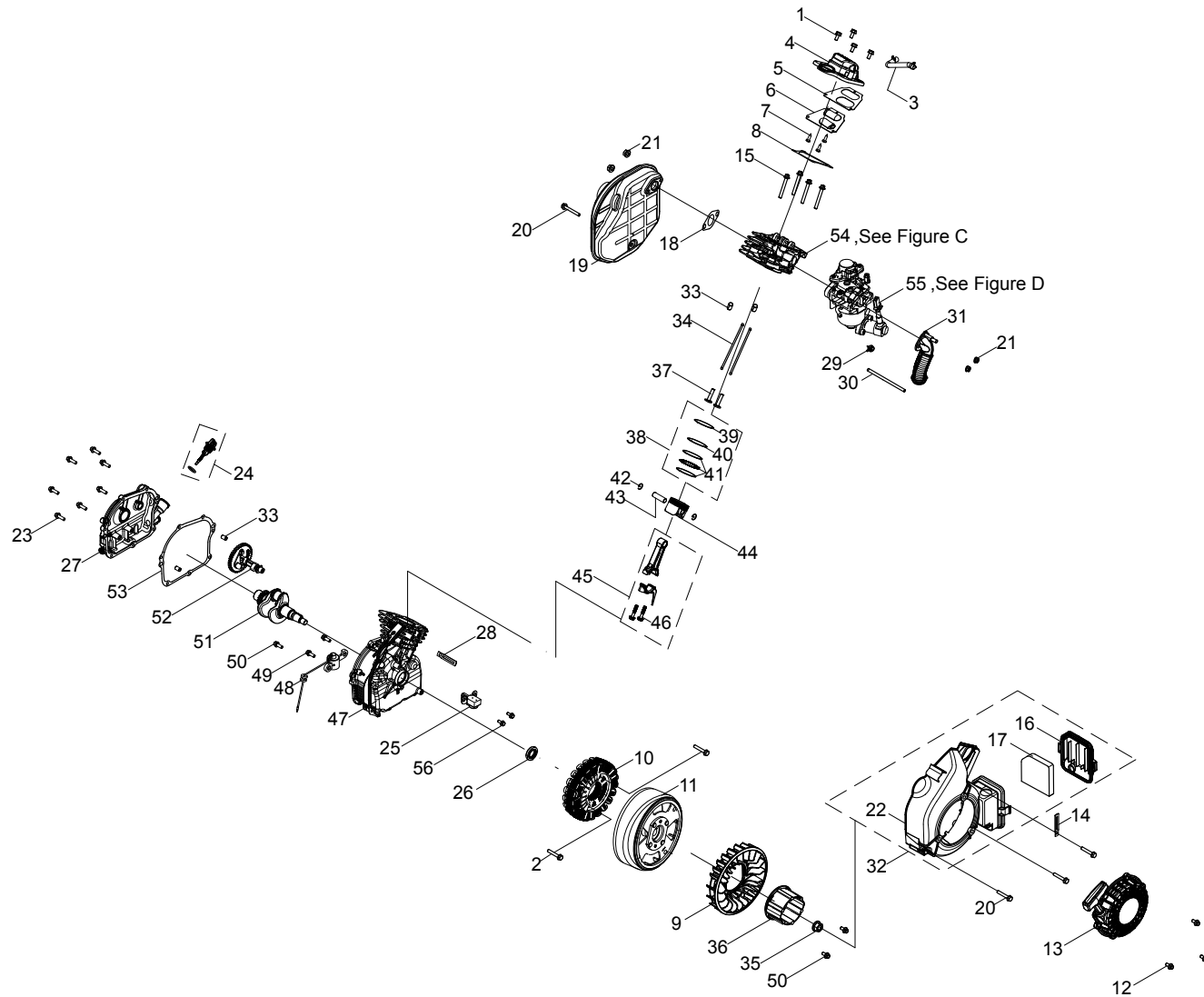


Figure B

ENGINE PARTS LIST

#	Part Number	Description	Qty.
1	100033099-0006	Big Flange Bolt M6 x 18	4
2	100011223-0001	Flange Bolt M6 x 32	2
3	100154528	Breather Tube	1
4	100072876	Cylinder Head Cover Assembly	1
5	100762680	Gasket, Cylinder Cover	1
6	100762679	Inner Cover, Cylinder Head Cover	1
7	100005133	Cross Screw M3 x 6.5	3
8	100075052	Gasket, Cylinder Head Cover	1
9	100072871	Cooling Fan	1
10	100160799	Stator Assembly, Fe, Ø120 x 21 mm	1
11	100085871	Rotor Assembly, Permanent Magneto, Ø150 x 44.5 mm	1
12	100011571-0001	Big Flange Bolt M6 x 14	3
13	100748946-0002	Recoil Starter Assembly, Black	1
14	100000655	Wire Clip B	1
15	100011275-0002	Flange Bolt M6 x 50, GB5789	4
16	100075482	Air Filter Cover	1
17	100075483	Air Filter Element	1
18	100075043	Muffler Pad	1
19	100065662	Exhaust Muffler Assembly	1
20	100011277-0001	Flange Bolt M6 x 60, GB5789	4
21	100011452-0003	Lock Nut M6, Flange	4
22	100085054	Fan Cover, Black	1
23	100031968-0002	Big Flange Bolt M6 x 20	7
24	100084322-0003	Oil Dipstick Assembly, Black	1
25	100752614	Trigger	1
26	100085697	Oil Seal Ø20 x Ø32 x 6	1
27	100072617	Cover, Crankcase	1
28	100000656	Wire Clip C	1
29	100005149	Clamp 1, Ø7.5	1

#	Part Number	Description	Qty.
30	100087351	Fuel Tube	1
31	100075035	Air Filter Hose	1
32	100072873	Fan Cover Assembly	1
33	100010549	Dowel Pin Ø8 x 12	4
34	100075061	Push Rod	2
35	100033063-0001	Flange Nut M12 x 1.25	1
36	100159015	Pulley, Starter	1
37	100075036	Lifter, Valve	2
38	100075040	Piston Ring Set	1
39	100088147	1st Piston Ring	1
40	100088148	2nd Piston Ring	1
41	100088146	Oil Ring	1
42	100075038	Circlip	2
43	100075039	Wrist Pin	1
44	100159355	Piston	1
45	100075037	Connecting Rod	1
46	100091043	Bolt, Connecting Rod	2
47	100085410	Crankcase	1
48	100075063	Oil Level Sensor	1
49	100031967-0007	Big Flange Bolt M6 x 16	2
50	100011570-0001	Big Flange Bolt M6 x 12	3
51	100065663	Crankshaft	1
52	100159356	Camshaft	1
53	100075062	Gasket, Crankcase Cover	1
54	100723700	Cylinder Head Assembly - See Figure C	1
55	100746422	Carburetor Assembly - See Figure D	1
56	100055591-0006	Bolt, M6 x 12	2

CYLINDER HEAD DIAGRAM

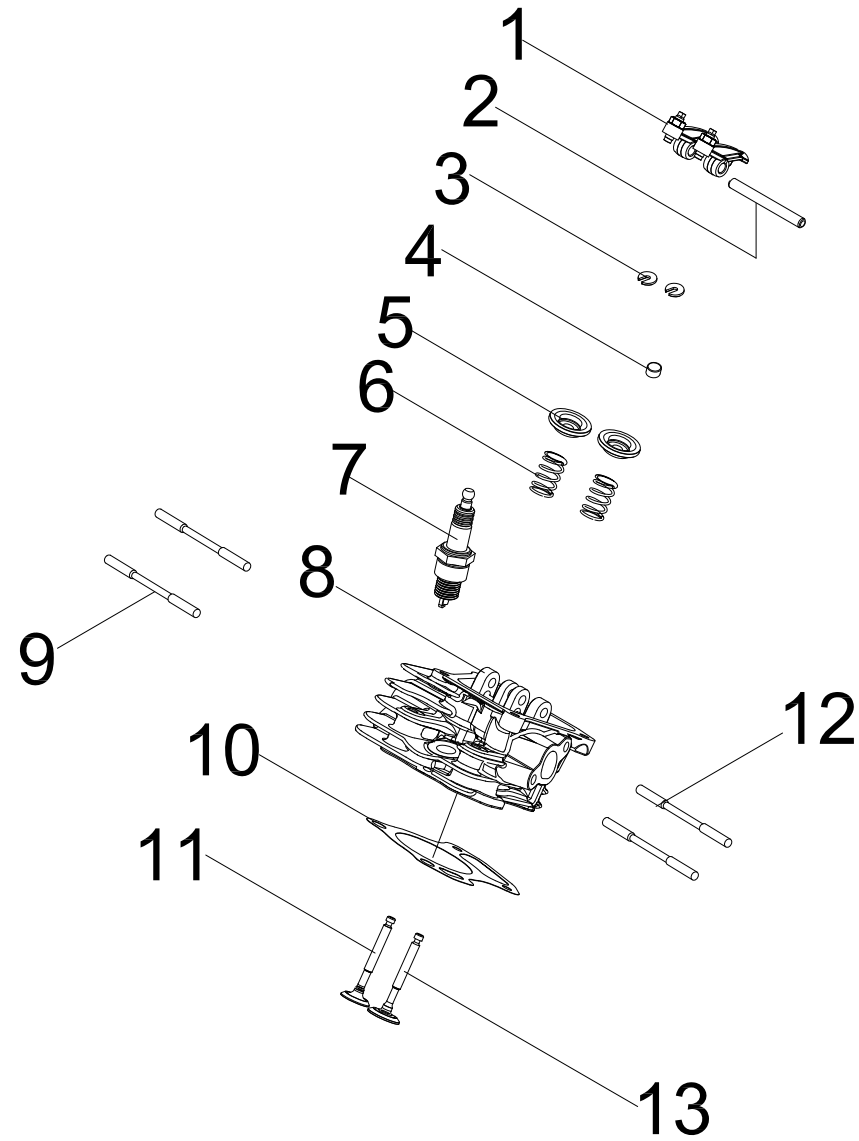


Figure C

CYLINDER HEAD PARTS LIST

#	Part Number	Description	Qty.
1	100075054	Rocker Arm Assembly	2
2	100075053	Shaft, Rocker Arm	1
3	100075055	Valve Collet	2
4	100075058	Oil Drip Pan	1
5	100075056	Valve Spring Seat, 182F	2
6	100159357	Spring Valve	2
7	100097810	Spark Plug(E6RTC)	1
8	100160845	Cylinder Head	1
9	100088412	Stud Bolt M6 x 73	2
10	100085694	Gasket, Cylinder Head	1
11	100075059	Valve Exhaust	1
12	100010348	Stud Bolt M6 x 87	2
13	100159354	Valve Intake	1

CARBURETOR DIAGRAM

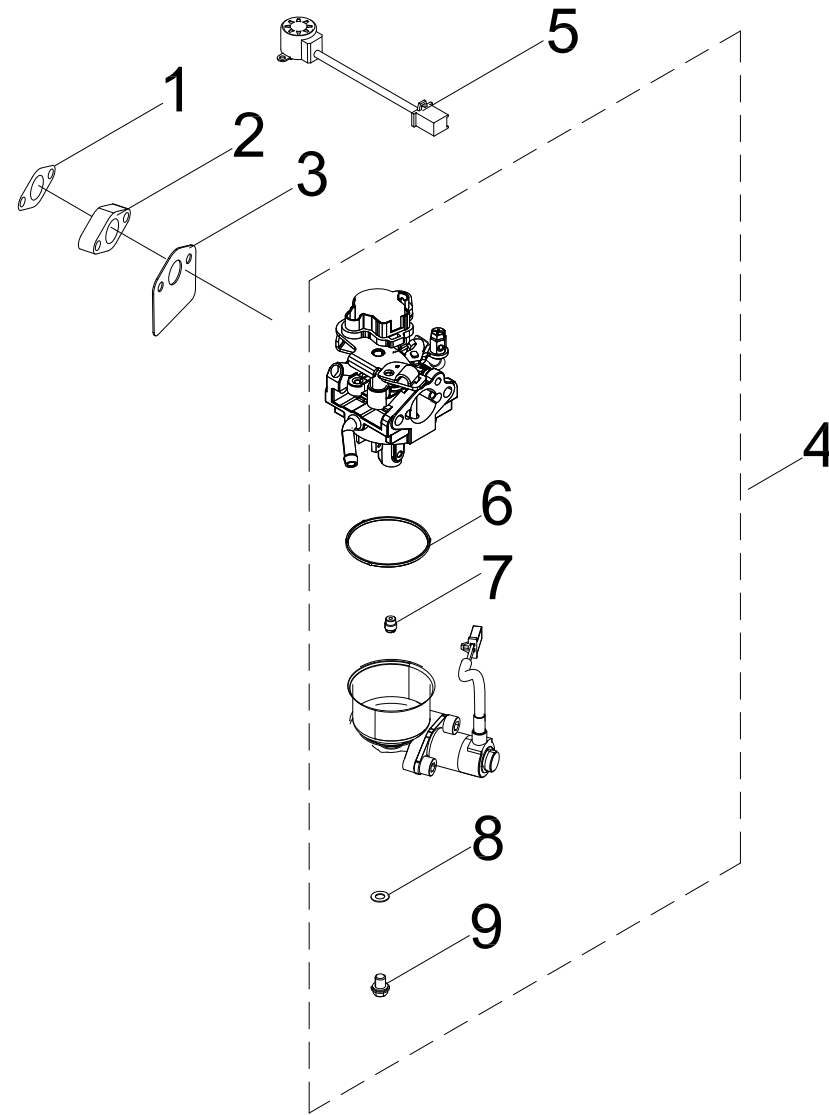


Figure D

CARBURETOR PARTS LIST

#	Part Number	Description	Qty.
1	100075048	Gasket, Insulator	1
2	100075049	Insulator, Carburetor	1
3	100075050	Gasket, Carburetor	1
4	100160764	Carburetor	1
5	100061512	Stepper Motor	1
6	100131960	Fuel Bowl O-Ring	1
7	100005736	Main Jet Standard (61)	1
	100005742	Main Jet Altitude 1000-2000m (60)	/
	100030032	Main Jet Altitude 2000-3000m (58)	/
8	100715796	Fuel Bowl Mounting Bolt Gasket	1
9	100715797	Fuel Bowl Mounting Bolt	1

FUEL TANK DIAGRAM

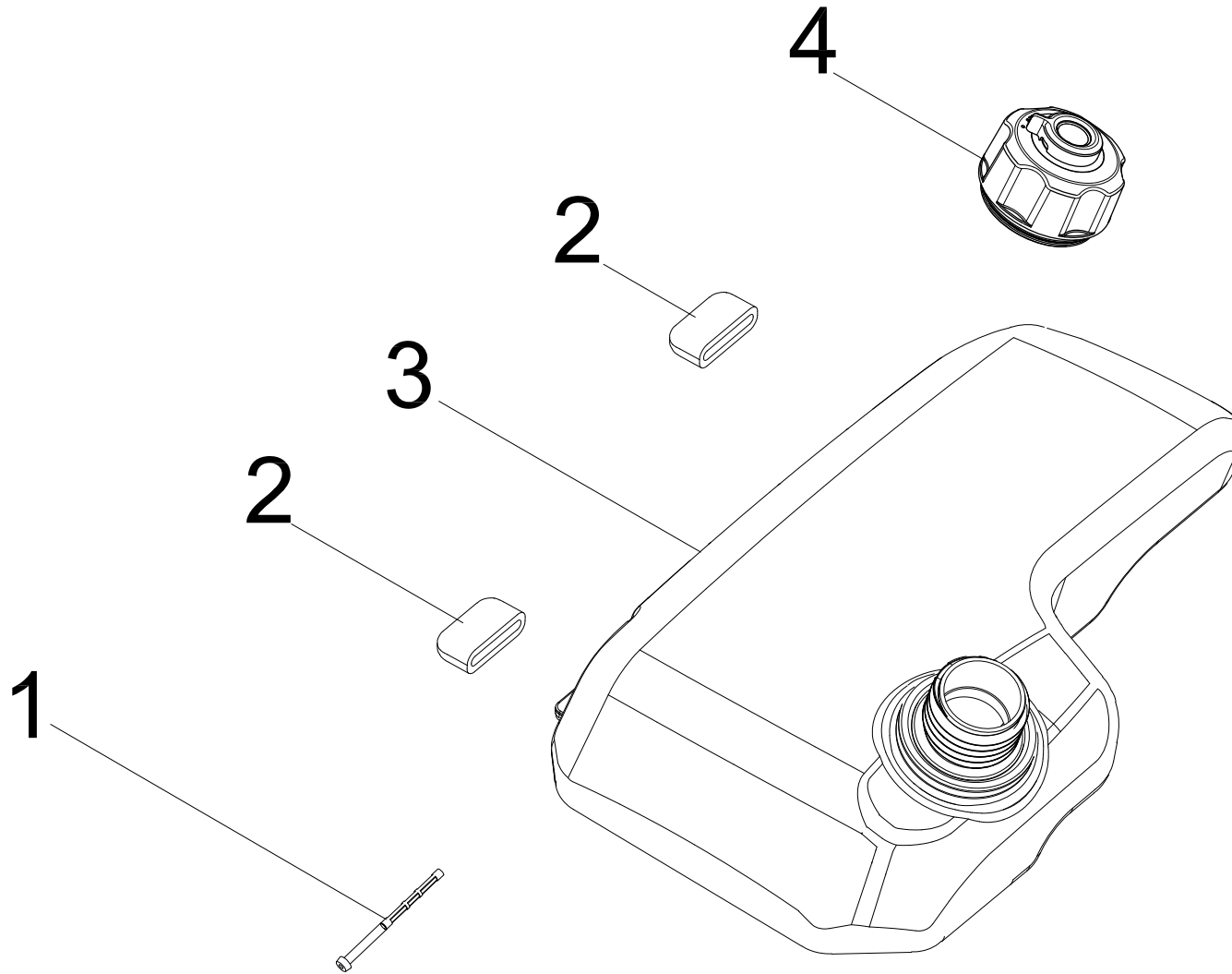
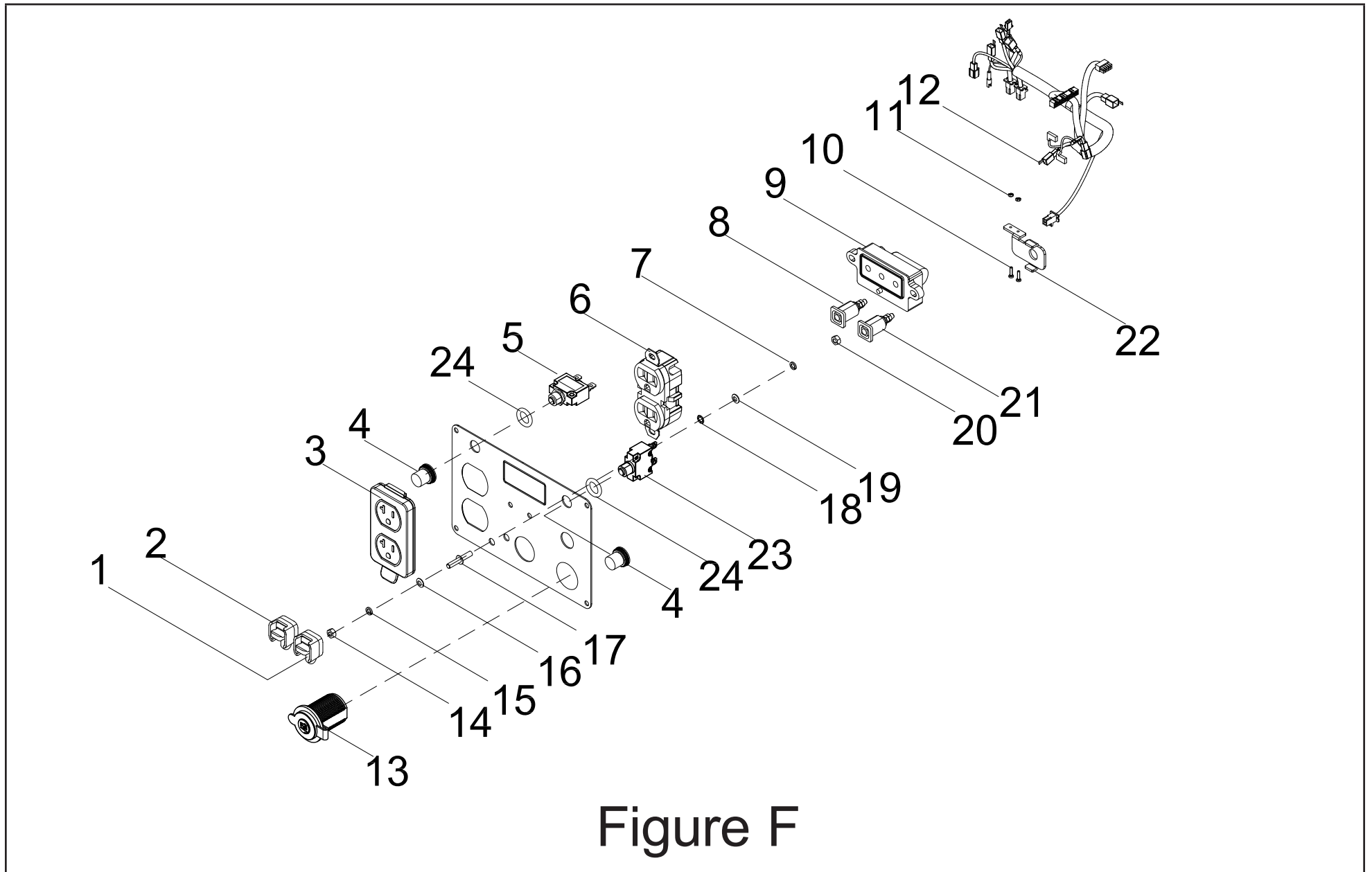


Figure E

FUEL TANK PARTS LIST

#	Part Number	Description	Qty.
1	100009020	Fuel Strainer	1
2	100072727	Rubber Pad	2
3	100087371	Fuel Tank, 4 L	1
4	100072726-0001	Fuel Tank Cap	1

CONTROL PANEL DIAGRAM



CONTROL PANEL PARTS LIST

#	Part Number	Description	Qty.
1	100735685-0002	Parallel Port Cover, Square, Black	1
2	100735685-0001	Parallel Port Cover, Square, Red	1
3	100731575	Receptacle Cover 5-20R, Duplex	1
4	100120180	Cover, Circuit Breaker	2
5	100019747	20Amp Circuit Breaker, Push Button	1
6	100020029	Receptacle 5-20R, Duplex	1
7	100010885-0003	Spring Washer Ø5	1
8	100746006-0001	Parallel Port, Square, Red	1
9	100159885	LED Display Module	1
10	100719040-0001	Screw M2.5 x 18	2
11	100096063-0001	Flange Nut M2.5	2
12	100751663	Wire Harness Assembly	1
13	100019782	Receptacle, 12 VDC	1
14	100011421-0002	Flange Nut M6	1
15	100010886-0002	Spring Washer Ø6	1
16	100010910-0002	Flat Washer Ø6	1
17	100092320-0002	Ground Stud	1
18	100011025-0001	Lock Washer Ø6, Toothed	1
19	100010919-0001	Flat Washer Ø5	1
20	100011419-0003	Nut M5	1
21	100746006-0002	Parallel Port, Square, Black	1
22	100157215	Mounting Plate	1
23	10057719	8Amp Circuit Breaker, Push Button	1
24	100031552	O-Ring	2

WHEEL KIT DIAGRAM

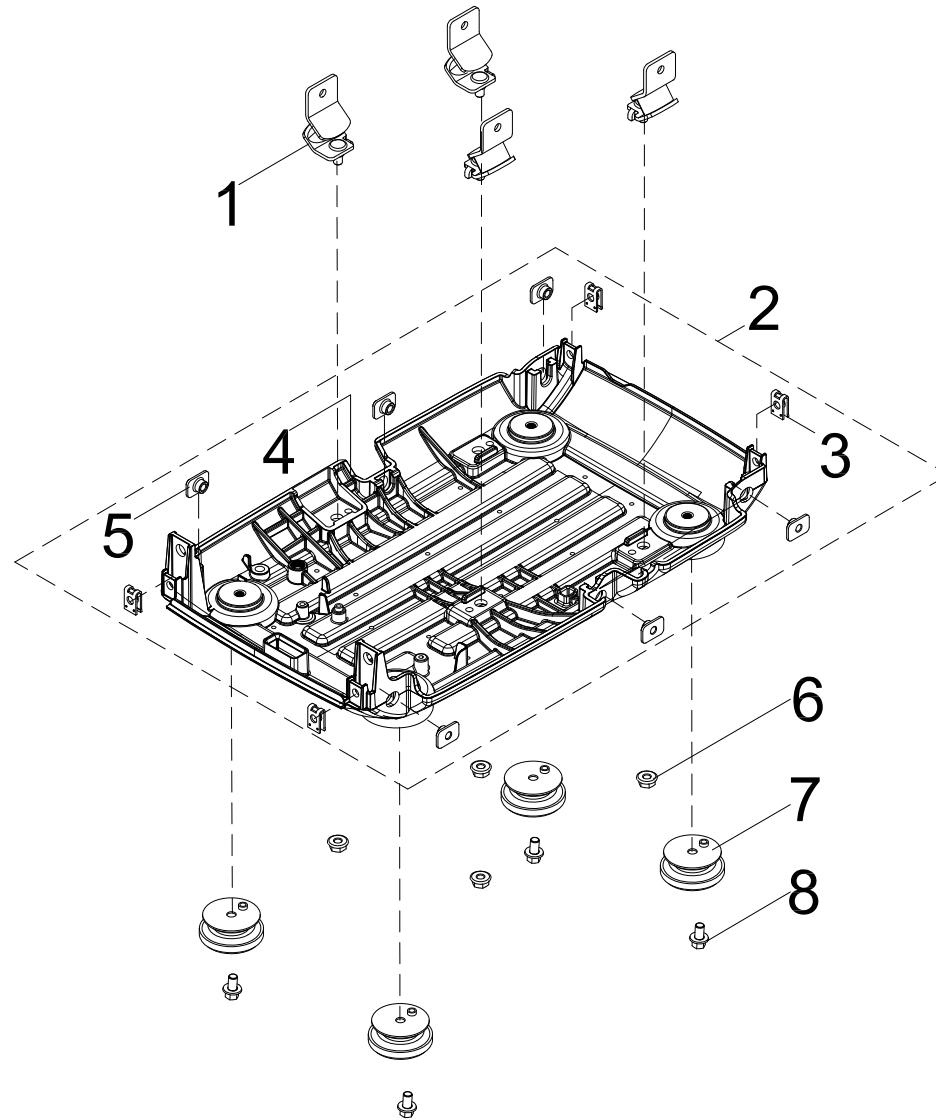


Figure G

WHEEL KIT PARTS LIST

#	Part Number	Description	Qty.
1	100072715	Vibration Mount, Support	4
2	100088546	Housing Assembly, Bottom, Black	1
3	100050562	Threaded Clamp	4
4	100072711	Housing, Bottom, Black	1
5	100072994-0001	Step Nut M6	6
6	100011452-0003	Nut M6	4
7	100072712	Foot, Bottom Housing	4
8	100011570-0001	Big Flange Bolt M6 x 12	4

WIRING DIAGRAM

