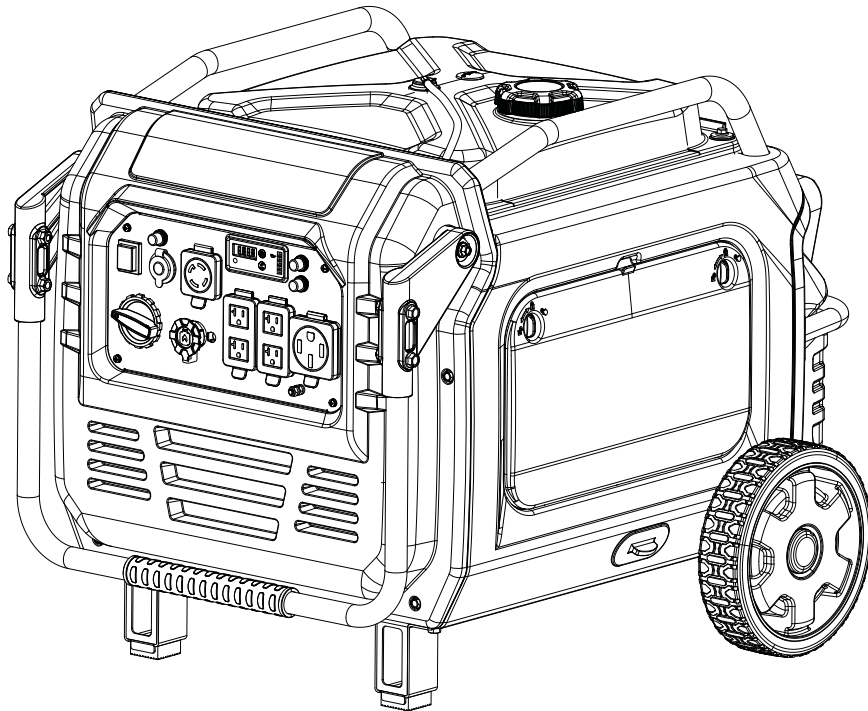




Champion Power Equipment, Inc., Santa Fe Springs, CA USA

MODEL #201175



PARTS INFORMATION

8500W DUAL FUEL ELECTRIC START INVERTER GENERATOR

SERIAL NUMBER RANGE: ALL



To order replacement parts please visit:
shop.championpowerequipment.com
or call **1-877-338-0999**.

TABLE OF CONTENTS

Inverter Generator Parts Diagram	3
Inverter Generator Parts List	4
Engine Parts Diagram	6
Engine Parts List	7
Cylinder Head Parts Diagram	9
Cylinder Head Parts List	10
Carburetor Parts Diagram	11
Carburetor Parts List	12
Frame Assembly Parts Diagram	13
Frame Assembly Parts List	14
Fuel Tank Parts Diagram	15
Fuel Tank Parts List	16
Control Panel Parts Diagram	17
Control Panel Parts List	18
Wiring Diagram	19

INVERTER GENERATOR PARTS DIAGRAM

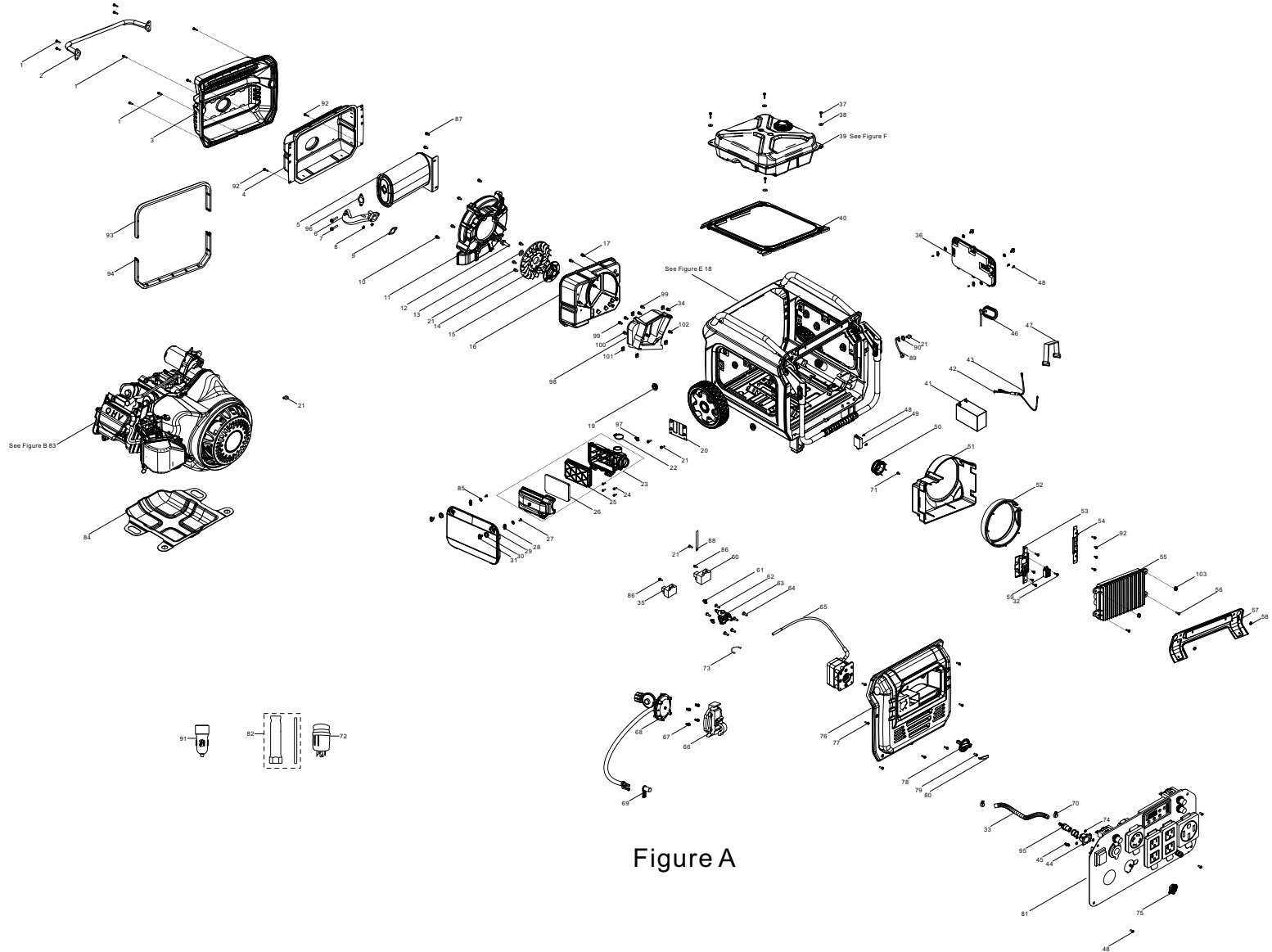


Figure A

INVERTER GENERATOR PARTS LIST

#	Part Number	Description	Qty.
1	90001-000027	Hexagon Flange Bolt, M6 x 25, Black Zinc	9
2	51001-000001	Crossbar Tube, Ø25	1
3	16673-000001	Shield, Muffler Protection	1
4	18130-000004	Muffler Guard	1
5	18100-000043	Muffler Assembly	1
6	18150-000001	Exhaust Pipe, Muffler	1
7	90001-000062	Hexagon Flange Bolt, M8 x 40	2
8	90303-000004	Nut M8, Black Zinc	2
9	18001-000004	Exhaust Outlet Gasket	1
10	90001-000044	Hexagon Flange Bolt, M8 x 25, White Zinc	4
11	28110-000002	Shroud, Crankcase Cover	1
12	90002-000001	Hexagon Flange Bolt, M10 x 30, White Zinc	1
13	90408-000011	Flat Washer, White Zinc	1
14	19352-000004	Cooling Fan, Inverter	1
15	13515-000001	Mounting disc, Cooling Fan, Ø20 x Ø89 x 3.5	1
16	18003-000002	Muffler Guard, Inner	1
17	90001-000022	Hexagon Flange Bolt, M6 x 16, White Zinc	4
18	96003-Y51100-0025	Frame Assembly - See Figure H	1
19	16601-000005	Rubber sleeve, Access Panel	6
20	17003-000007	Air Cleaner Support	1
21	90001-000018	Hexagon Flange Bolt, M6 x 12, White Zinc	8
22	12081-000002	Clamp, Inlet Tube, M6 x 15	1
23	17100-000018	Air Cleaner	1
24	90001-000024	Hexagon Flange Bolt, M6 x 20, White Zinc	4
25	17150-000003	Element Assembly, Air Cleaner	1
26	17151-000006	Element, Air Cleaner	1
27	90124-000002	Self Tapping Screw, PT4x13	4
28	24329-000003	Block	4
29	80092-000024	Access Panel, Left	1
30	16527-000002	Spring, Stopper Adjusting	4

#	Part Number	Description	Qty.
31	35643-000005	Knob, Access Panel	4
32	90007-000011	Hexagon Flange Bolt, M6 x 16, White Zinc	1
33	90729-000017	Tube, Ø10 x Ø16.8 x 280	1
34	90001-000024	Hexagon Flange Bolt, M6 x 20, White Zinc	1
35	30008-000005	Control Module, EV02	1
36	80096-000023	Access Panel, Right	1
37	90001-000031	Hexagon Flange Bolt, M6 x 30, Black Zinc	4
38	90408-000024	Flat Washer, Ø6 x Ø32 x 1.5, Black Zinc	4
39	96003-Y16620-0029	Fuel Tank Assembly - See Figure F	1
40	35671-000002	Waterproof Strip	1
41	31110-000007	Battery, 12V/9Ah, 150 x 65 x 90	1
42	31112-000004	DC Wire Harness, Battery	1
43	31114-000005	DC Wire Harness, Engine	1
44	16638-000002	Protection Plate Mounting Seat	1
45	16527-000001	Spring, Stopper Adjusting	1
46	90722-000008	Plug, End	1
47	31115-000001	Strap, Battery	1
48	90103-000012	Screw, M5 x 12, Black Zinc	8
49	35720-000002	CO Alarm	1
50	17006-000001	Air Cleaner cushion	1
51	30041-000002	Inverter Cover	1
52	30214-000001	Gasket, Inverter Cover	1
53	30081-000012	Inverter, Bracket 1	1
54	30081-000013	Inverter, Bracket 2	1
55	30043-000013	Inverter, 6.8/7.5kW_120V/240V_60Hz	1
56	90007-000013	Hexagon Flange Bolt, M6 x 20, White Zinc	2
57	51150-000001	Guard Plate Assembly	1
58	90305-000011	Hexagon Flange Nut, M8, Black Zinc	2
59	30060-000007	Rectifier	1
60	30007-000002	Charger Module, EC0803	1

#	Part Number	Description	Qty.
61	90685-000013	Clamp, Ø8.5 x 0.6 x 8	2
62	90255-000001	Screw & Washer Assembly, M4 x 10, White Zinc	2
63	16750-000010	Fuel Switch	1
64	90129-000002	Self Tapping Tcrew, White Zinc	4
65	35160-000013	Switch, Engine	1
66	51136-000003	Regulator Mounting Plate	1
67	90001-000019	Hexagon Flange Bolt, M6 x 12, Black Zinc	4
68	77100-000012	Regulator, Auxiliary	1
69	90722-000013	Plug 1, End	1
70	90748-000002	Clamp, Ø10 x 16	2
71	90124-000003	Self Tapping Screw, PT5 x 16	1
72	35613-000005	Adapter, L14-30P to TT-30R	1
73	35191-000007	Wiring Harness, Microswitch	1
74	90305-000001	Hexagon Flange Nut, M4, Black Zinc	4
75	90722-000020	Plug 2, End	1
76	35680-000010	Control Panel Housing	1
77	90001-000023	Hexagon Flange Bolt, M6 x 16, Black Zinc	7
78	35643-000006	Switch Dial, Engine	1
79	90103-000006	Screw, M4 x 16, White Zinc	1
80	82007-000005	Decorative Cover	1
81	35610-000137	Control Panel Assembly - See Figure G	1
82	93130-000001	Spark Plug Socket	1
83	96100-R420DNVI-02	Engine, 420cc	1
84	19306-000003	Crankcase Air Deflector	1
85	90408-000002	Flat Washer	4
86	90001-000022	Hexagon Flange Bolt, M6 x 16, White Zinc	2
87	90001-000041	Hexagon Flange Bolt, M8 x 16, Black Zinc	2
88	90684-000003	Clip, L=100	1
89	30009-000019	Grounding Wire	1
90	90415-000002	Lock Washer, Toothed, Black Zinc	1
91	35613-000001	12VDC USB Adapter	1

#	Part Number	Description	Qty.
92	90007-000008	Hexagon Flange Bolt, M6 x 12, Black Zinc	10
93	18005-000003	Heat Insulation rubber, muffler inner cover, Up	1
94	18005-000004	Heat Insulation rubber, muffler inner cover, Down	1
95	16021-000003	Inlet Connection	1
96	18001-000005	Exhaust Outlet Gasket	1
97	90685-000010	Clamp, Ø10.5 x 0.8 x 8	1
98	28110-000036	Shroud, Muffler Guard	1
99	90001-000022	Hexagon Flange Bolt, M6 x 16, White Zinc	2
100	90007-000002	Hexagon Flange Bolt, M5 x 12, White Zinc	4
101	17199-000002	Clip Nut, M5, White Zinc	5
102	90007-000006	Hexagon Flange Bolt, M5 x 20, White Zinc	1
103	90305-000005	Hexagon Flange Nut, M6, White Zinc	2

ENGINE PARTS DIAGRAM

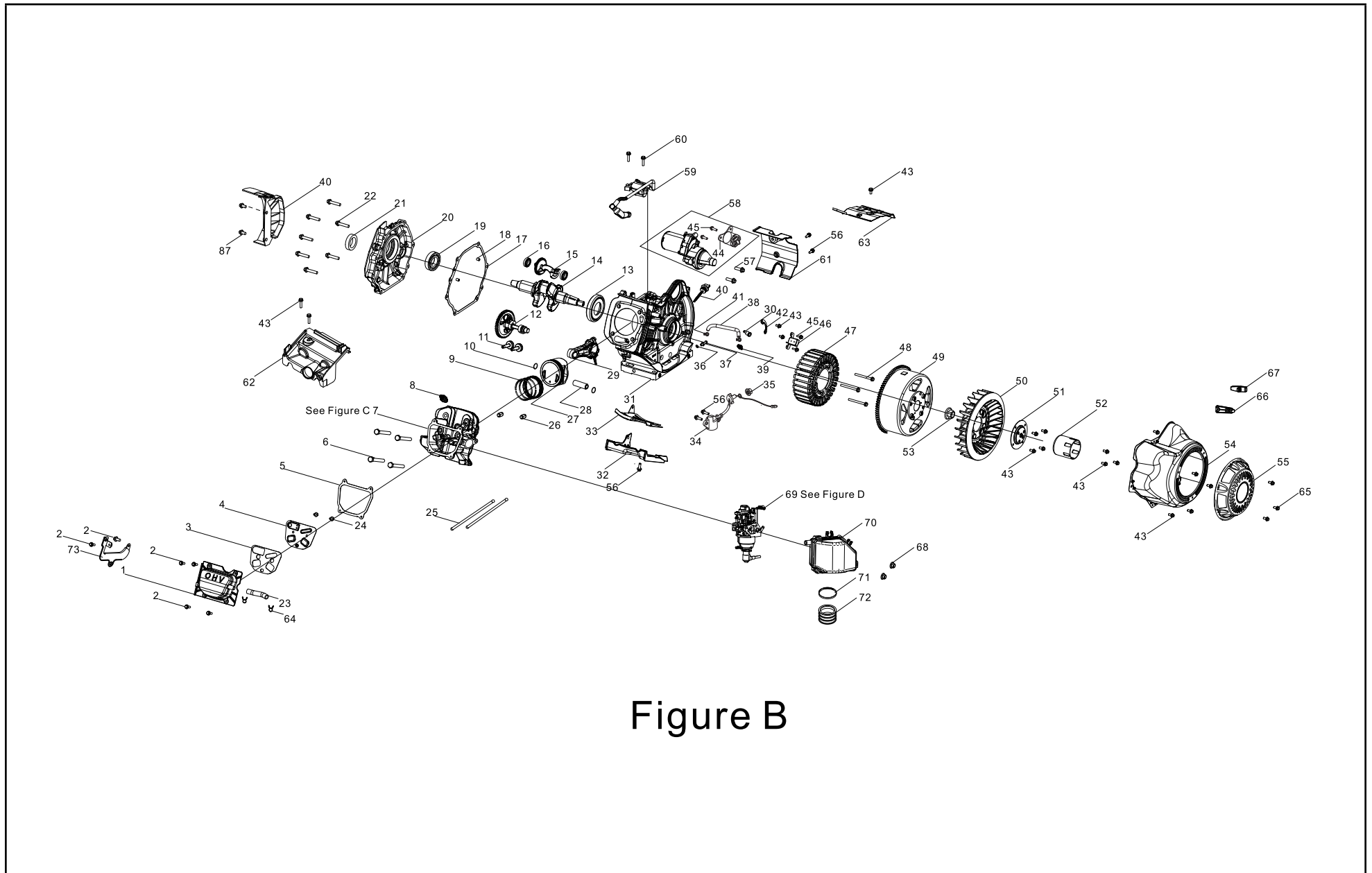


Figure B

ENGINE PARTS LIST

#	Part Number	Description	Qty.
1	12410-000007	Cylinder Head Cover Subassembly	1
2	90001-000024	Hexagon Flange Bolt, M6 x 20, White Zinc	6
3	11332-000002	Gasket, Breather Groove Cover	1
4	11320-000003	Breather	1
5	12004-000011	Cylinder Head Cover Gasket	1
6	12003-000004	Cylinder Head Bolt, M10 x 80, White Zinc	4
7	96003-Z12140-0041	Cylinder Head Assembly - See Figure C	1
8	30010-000003	Spark Plug, F7RTC	1
9	13200-000015	Piston Ring Assembly	1
10	13122-000002	Piston Pin Clip	2
11	14081-000003	Valve Tappet	2
12	14200-000007	Camshaft Assembly	1
13	90682-000005	Oil Seal, Ø40 x Ø52 x 9	1
14	13300-000013	Crankshaft Assembly	1
15	13400-000001	Balancing Shaft	1
16	90548-000001	Bearing, 6202	2
17	11001-000004	Crankcase Gasket	1
18	90502-000002	Pin, 8 x 12	2
19	90547-000009	Bearing, 6207	1
20	11411-000007	Crankcase Cover	1
21	90682-000006	Oil Seal, Ø35 x Ø52 x 7	1
22	90001-000050	Hexagon Flange Bolt, M8 x 40, White Zinc	7
23	17004-000015	Tube, Breather	1
24	90001-000003	Hexagon Flange Bolt, M5 x 12, White Zinc	2
25	14070-000002	Valve Lifter	2
26	90502-000008	Pin, 12 x 20	2
27	13111-000020	Piston	1
28	13121-000004	Piston Pin, Ø20 x Ø14.75 x 62	1
29	13010-000004	Connecting Rod	1
30	90689-000002	Joint, Fuel Tube, White Zinc	1

#	Part Number	Description	Qty.
31	11310-000008	Crankcase Subassembly	1
32	19305-000002	Cylinder Body Shroud 2	1
33	12014-000001	Head Air Deflector	1
34	37060-000006	Engine Oil Sensor, W/O Nut	1
35	90305-000014	Hexagon Flange Nut, M10, White Zinc	1
36	90408-000021	Flat Washer, Ø15.8	1
37	90689-000003	Connector, Fuel Tube	1
38	11011-000003	Oil Drain Hose Assembly	1
39	15030-000001	Oil Plug Subassembly	1
40	15010-000005	Oil Dipstick Subassembly	1
41	90685-000004	Clamp, Ø16 x 0.8 x 10	2
42	30002-000002	Magneto Wiring Clamp	1
43	90001-000018	Hexagon Flange Bolt, M6 x 12, White Zinc	17
44	30500-000001	Starting Relay	1
45	90001-000007	Hexagon Flange Bolt, M5 x 16, White Zinc	2
46	90001-000007	Hexagon Flange Bolt, M5 x 16, White Zinc	2
47	30130-000005	Trigger Assembly	1
48	30120-000030	Stator Component, Ø179 x 53	1
49	90007-000020	Hexagon Flange Bolt, M6 x 65, White Zinc	3
50	30110-000008	Rotor Component, Ø179 x 53	1
51	19352-000015	Cooling Fan, Engine	1
52	28020-000001	Starter Pulley Base	1
53	28002-000010	Starter Pulley, White Zinc	1
54	13510-000003	Flywheel Nut, M16 x 1.5, White Zinc	1
55	28110-000015	Shroud, Cooling Fan	1
56	28200-000015	Recoil Starter Assembly	1
57	90001-000022	Hexagon Flange Bolt, M6 x 16, White Zinc	5
58	90001-000044	Hexagon Flange Bolt, M8 x 25, White Zinc	2
59	30300-000008	Motor Assembly, Starting	1
60	30400-000036	Ignition Coil	1

#	Part Number	Description	Qty.
61	90001-000026	Hexagon Flange Bolt, M6 x 25, White Zinc	2
62	19351-000001	Rear Shield, Crankcase	1
63	12014-000005	Head Air Deflector 1	1
64	28118-000003	Block	1
65	90685-000015	Clamp, Ø14, White Zinc	2
66	90001-000014	Hexagon Flange Bolt, M6 x 8, Black Zinc	3
67	28004-000003	Guide plate combination, Start Pull Rope	1
68	28210-000002	Start Pull Handle	1
69	90305-000007	Hexagon Flange Nut, M6, White Zinc	2
70	96003-Z16100-0038	Carburetor Assembly, See Figure D	1
71	17400-000003	Secondary Air Cleaner	1
72	12081-000002	Clamp, Inlet Tube	1
73	12510-000002	Inlet Tube	1
74	51124-000006	Mounting Bracket	1

CYLINDER HEAD PARTS DIAGRAM

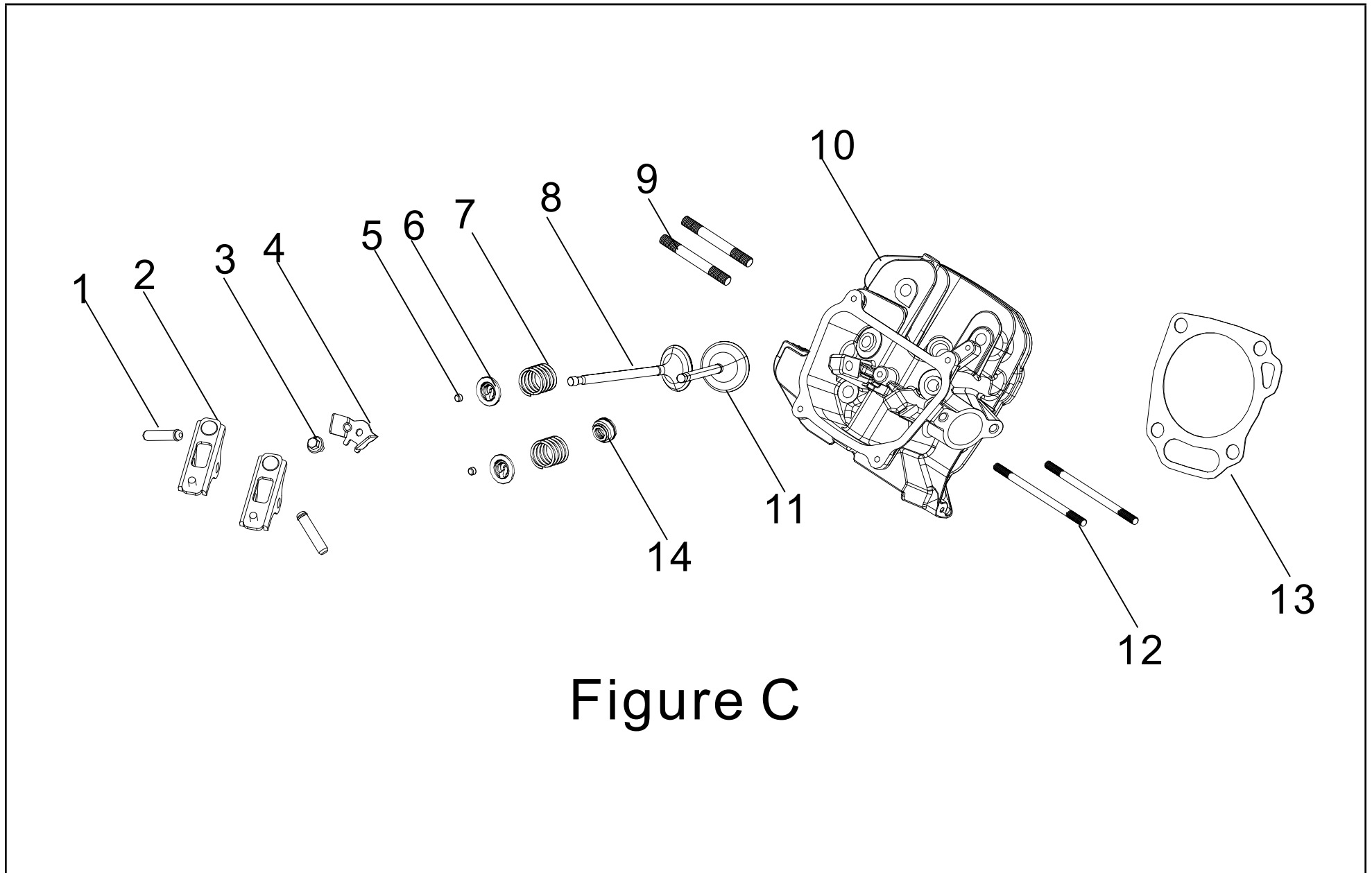


Figure C

CYLINDER HEAD PARTS LIST

#	Part Number	Description	Qty.
1	14318-000006	Valve Rocker Shaft Subassembly	2
2	14310-000003	Valve Rocker Subassembly	2
3	90001-000018	Hexagon Flange Bolt, M6 x 12, White Zinc	1
4	12419-000002	Pin Plate, Cylinder Head Cove	1
5	12104-000001	Valve Adjusting Cap, Ø5.6 x Ø8.5 x 5.2	2
6	12107-000001	Valve Spring Retainer, Exhaust valve	2
7	12103-000009	Valve Spring, Ø19.1 x Ø2.5 x 38	2
8	12121-000003	Exhaust Valve	1
9	90204-000019	Stud, M8 x 47, Black Zinc	2
10	12140-000009	Cylinder Head	1
11	12111-000002	Intake Valve	1
12	90204-000011	Stud, M6/M8 x 110, Black Zinc	2
13	12131-000006	Cylinder Head Gasket	1
14	12101-000005	Seal Guide	1

CARBURETOR PARTS DIAGRAM

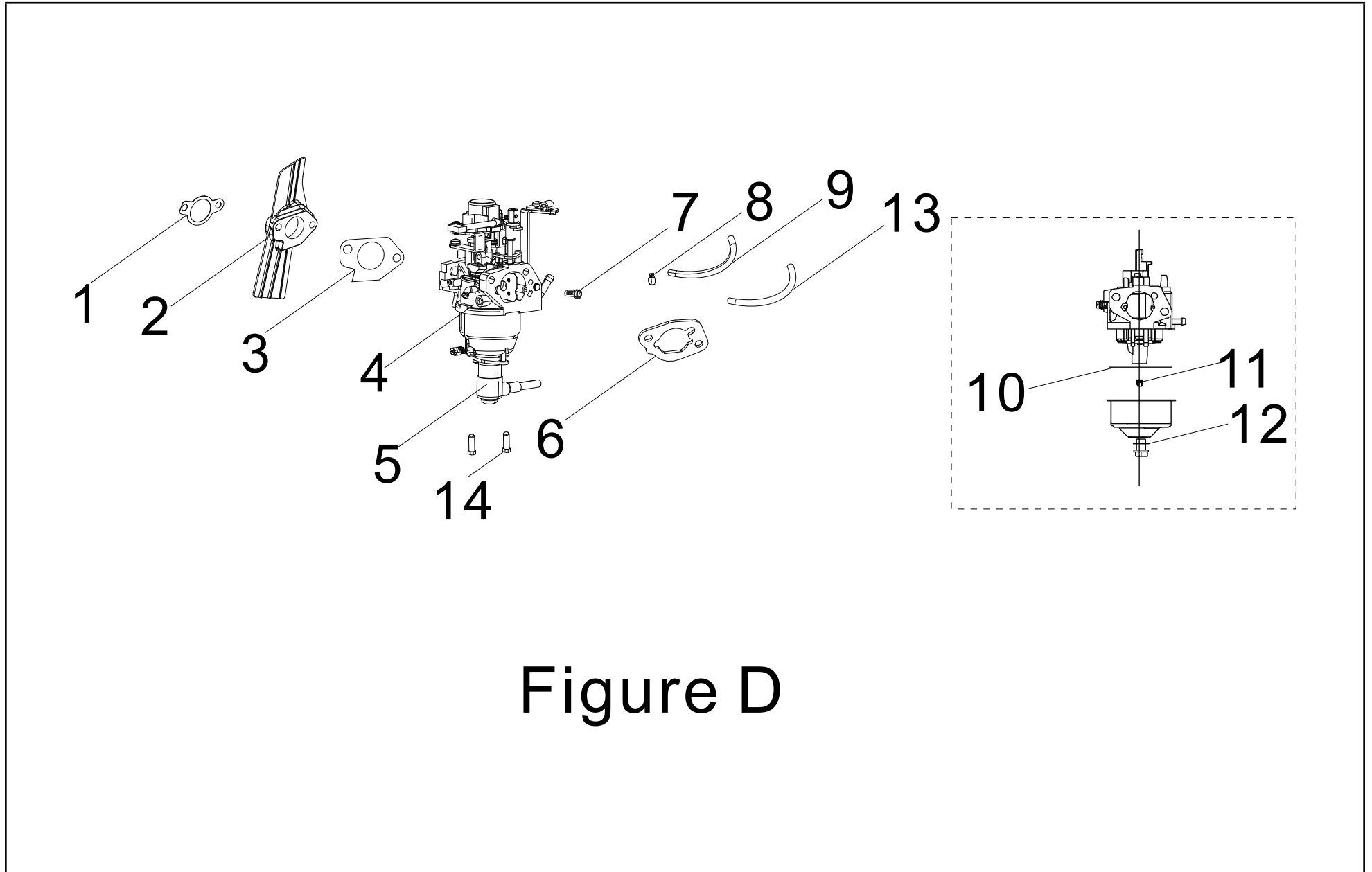


Figure D

CARBURETOR PARTS LIST

#	Part Number	Description	Qty.
1	17002-000004	Gasket, Inlet	1
2	16003-000008	Carburetor Insulator Plate	1
3	16001-000003	Carburetor Gasket	1
4	16100-000068	Carburetor Assembly	1
5	16108-000008	Magnetic Valve	1
6	17001-000010	Air Cleaner Gasket	1
7	16652-000016	Fuel Filter	1
8	90685-000002	Clamp, Ø9 x Ø0.8 x 8	1
9	90686-000008	Fuel Tube, Ø4.5 x Ø8.5 x 260	1
10	16112-000011	Seal Ring, Float	1
11	16161-000077	Main Jet (105#), Standard	1
	16161-000078	Main Jet (108#), Altitude 3000-6000 Feet	/
	16161-000045	Main Jet (110#), Altitude 6000-8000 Feet	/
12	90681-000008	Seal Ring	1
13	30431-000010	Rubber Sleeve, Ø10xØ11x180	1
14	90102-000004	Hexagon Socket Bolt, M5 x 10, White Zinc	2

FRAME ASSEMBLY PARTS DIAGRAM

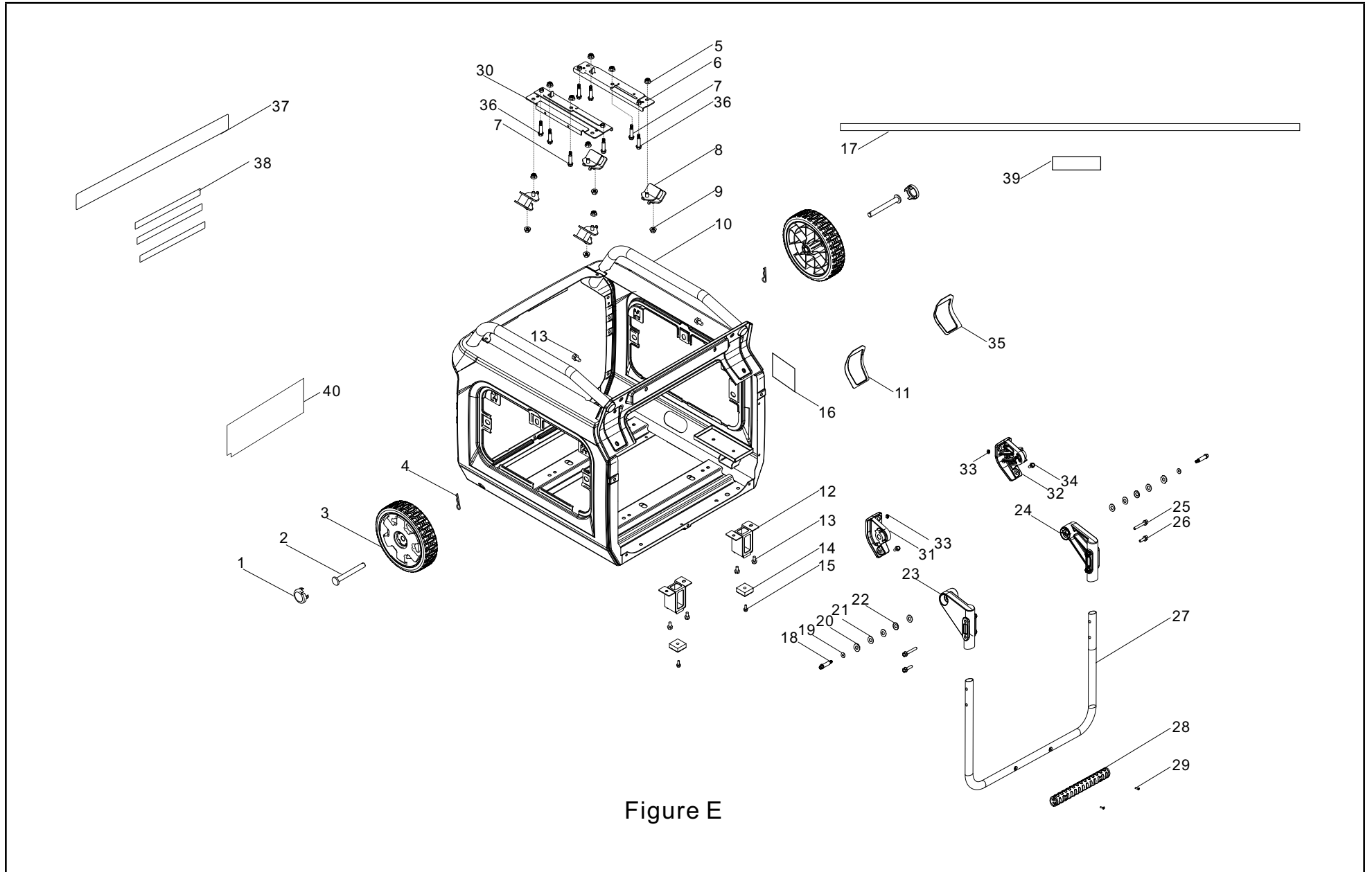


Figure E

FRAME ASSEMBLY PARTS LIST

#	Part Number	Description	Qty.
1	44001-000003	Cover, Hub Decorated	2
2	42002-000003	Axle, Black Zinc	2
3	44110-000008	Wheel, 9.5in, Yellow	2
4	90501-000004	B-Clip, White Zinc	2
5	90306-000001	Hexagon Flange Nut, M10, White Zinc	8
6	51002-000016	Engine base plate	1
7	90002-000002	Hexagon Flange Bolt, M10 x 40, White Zinc	4
8	51005-000009	Vibration Mount 1, Frame	4
9	90305-000010	Hexagon Flange Nut, M8, White Zinc	4
10	51100-000045	Frame Assembly	1
11	51198-000003	Sealing Strip, Right	1
12	51016-000005	Bracket, Support Leg	2
13	90001-000041	Hexagon Flange Bolt, M8 x 16, Black Zinc	6
14	51014-000005	Support Leg	2
15	90001-000023	Hexagon Flange Bolt, M6 x 16, Black Zinc	2
16	51198-000009	Sealing Strip, 100 x100 x 2	1
17	18212-000002	Sound-absorbing Cotton	1
18	71116-000001	Connecting Bolt, M8 x 1.25 x 11.5, Black Zinc	2
19	90412-000001	Flat Washer, Ø12.2 x 27 x 2	2
20	42017-000001	Locking Washer, White Zinc	2
21	90412-000002	Flat Washer, Ø13 x 25 x 1, White Zinc	4
22	90419-000002	Washer, Butterfly, Ø12.2 x 25 x 1 x 2, Black Zinc	4
23	54122-000003	Left Seat, Handle Tube Connecting	1
24	54122-000004	Right Seat, Handle Tube Connecting	1
25	90001-000052	Hexagon Flange Bolt, M8 x 45, Black Zinc	2
26	90001-000038	Hexagon Flange Bolt, M8 x 10, Black Zinc	2
27	54110-000011	Handle, Ø25 x 1.2	1
28	54101-000006	Handle Sheath, PMS 109C	1
29	90103-000007	Screw, M4 x 16, Black Zinc	2

#	Part Number	Description	Qty.
30	51002-000015	Engine base plate 1	1
31	54113-000002	Left Seat, Handle Tube Connecting	1
32	54113-000003	Right Seat, Handle Tube Connecting	1
33	90305-000011	Hexagon Flange Nut, M8, Black Zinc	2
34	90007-000021	Hexagon Flange Bolt, M8 x 20, Black Zinc	2
35	51198-000002	Sealing Strip, Left	1
36	71116-000002	Connecting Bolt, M8 x 1.25 x 11.5, Orange	4
37	51198-000001	Sealing Strip, 420x15x2	1
38	51198-000004	Sealing Strip, 330x10x2	3
39	51198-000010	Sealing Strip, 70x10x2	1
40	51198-000005	Sealing Strip, 153x68x2	1

FUEL TANK PARTS DIAGRAM

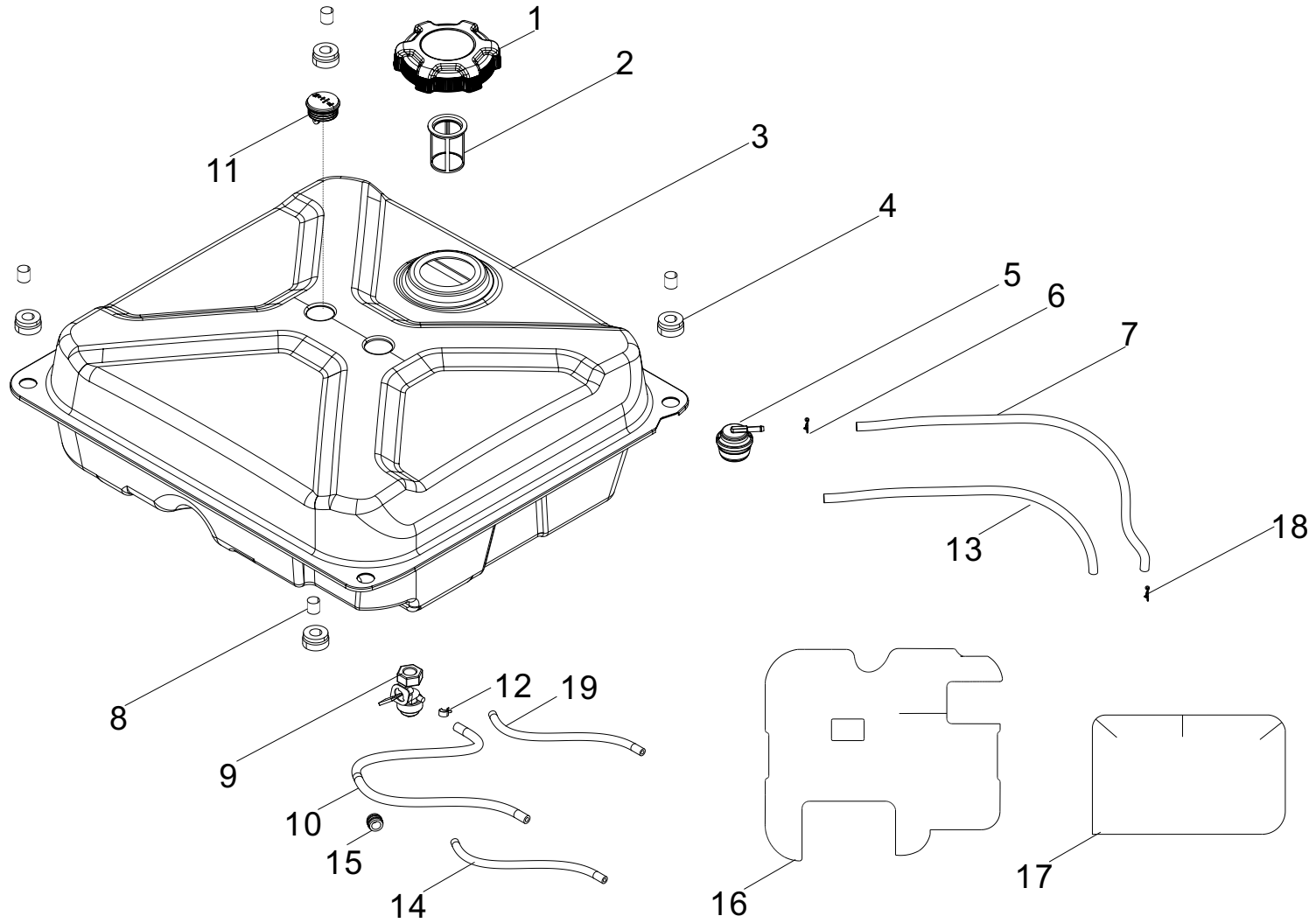
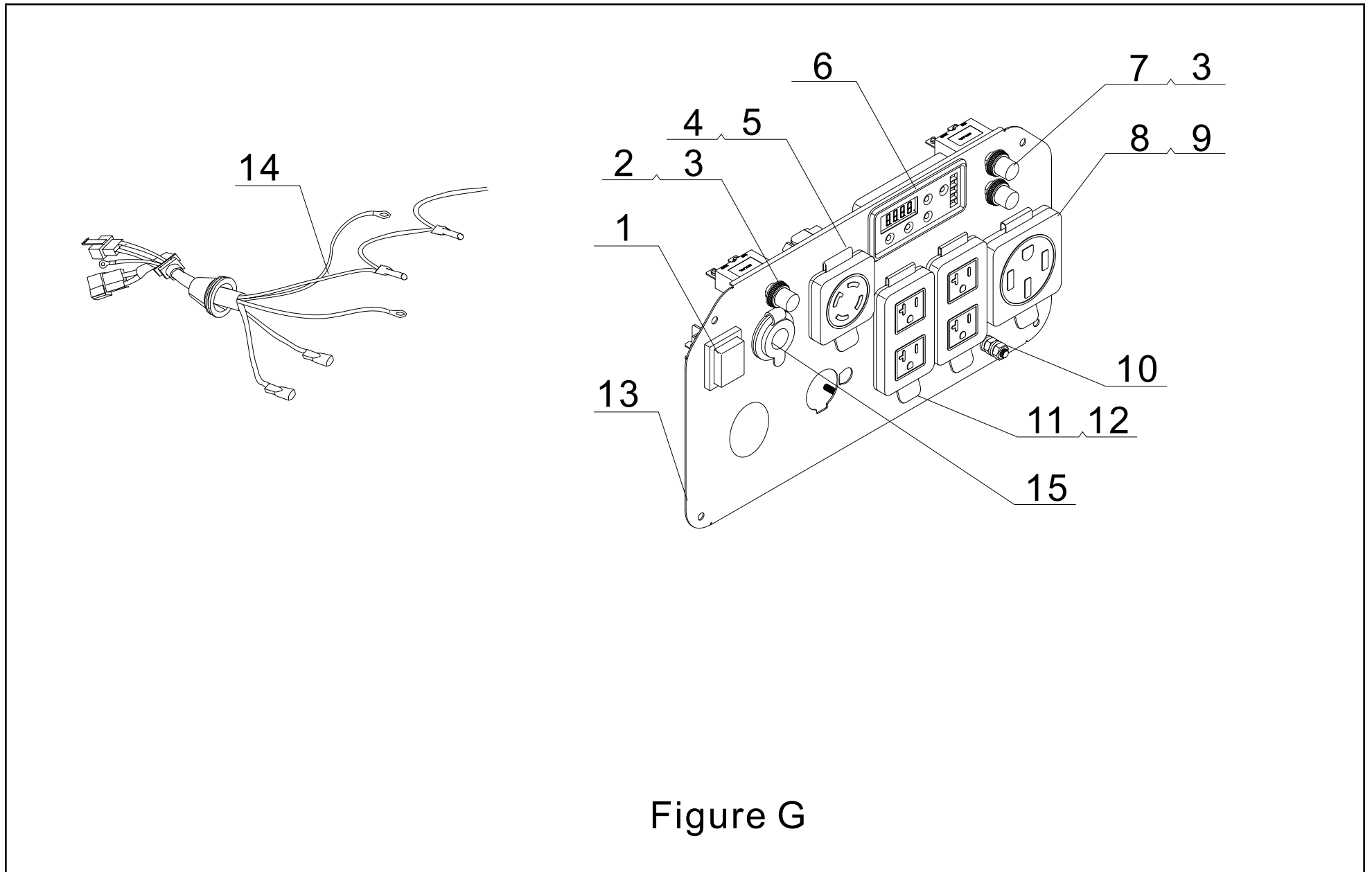


Figure F

FUEL TANK PARTS LIST

#	Part Number	Description	Qty.
1	16730-000010	Fuel Tank Cap	1
2	16652-000009	Fuel Filter	1
3	16620-000008	Fuel Tank	1
4	16601-000001	Rubber Sleeve, Vibration Mount, Fuel Tank	4
5	15150-000003	One Way Valve	1
6	90740-000005	Clamp, Ø9, White Zinc	1
7	16805-000017	Connection Tube, Air Cleaner	1
8	90683-000001	Bushing, White Zinc	4
9	16750-000009	Fuel Valve Assembly	1
10	90686-000011	Fuel Tube, Ø4.5 x Ø8.5 x 340	1
11	37200-000012	Fuel Gauge	1
12	90685-000013	Clamp, Ø8.5 x 8 x 0.6	1
13	30431-000007	Rubber Sleeve, Ø9 x Ø11 x 300	1
14	30431-000013	Rubber Sleeve, Ø9.5 x Ø11 x 150	1
15	30431-000026	Rubber Sleeve, Ø8.5 x Ø17 x 17	1
16	82153-000006	Heat Insulation Cotton 1	1
17	82153-000007	Heat Insulation Cotton 2	1
18	90685-000002	Clamp, Ø9 x 0.8 x 8	1
19	30431-000025	Rubber Sleeve, Ø9.5 x Ø11 x 125	1

CONTROL PANEL PARTS DIAGRAM



CONTROL PANEL PARTS LIST

#	Part Number	Description	Qty.
1	35160-000011	Switch Assembly	1
2	31234-000002	Circuit Breaker, Push Botton, 125/250V_8A	1
3	35654-000005	Receptacle Cover,Circuit Breaker	3
4	35614-000004	Receptacle, 125V/250V/30A, L4-30	1
5	35654-000010	Receptacle Cover, L14-30	1
6	35632-000014	Intelliguage INT5CINV	1
7	31234-000003	Circuit Breaker, Push Botton, 125/250V_20A	2
8	35614-000012	Receptacle, 125V/250V, 14-50R	1
9	35654-000012	Receptacle Cover, 14-50R	1
10	35629-000001	Ground Termina Assembly	1
11	35614-000018	Receptacle, 20A/125V, GFCI	2
12	35654-000013	Receptacle Cover, GFCI	2
13	35650-000034	Control Panel	1
14	35660-000038	Cable, Control Panel	1
15	35619-000001	Automotive Receptacle, 12V DC	1

WIRING DIAGRAM

