

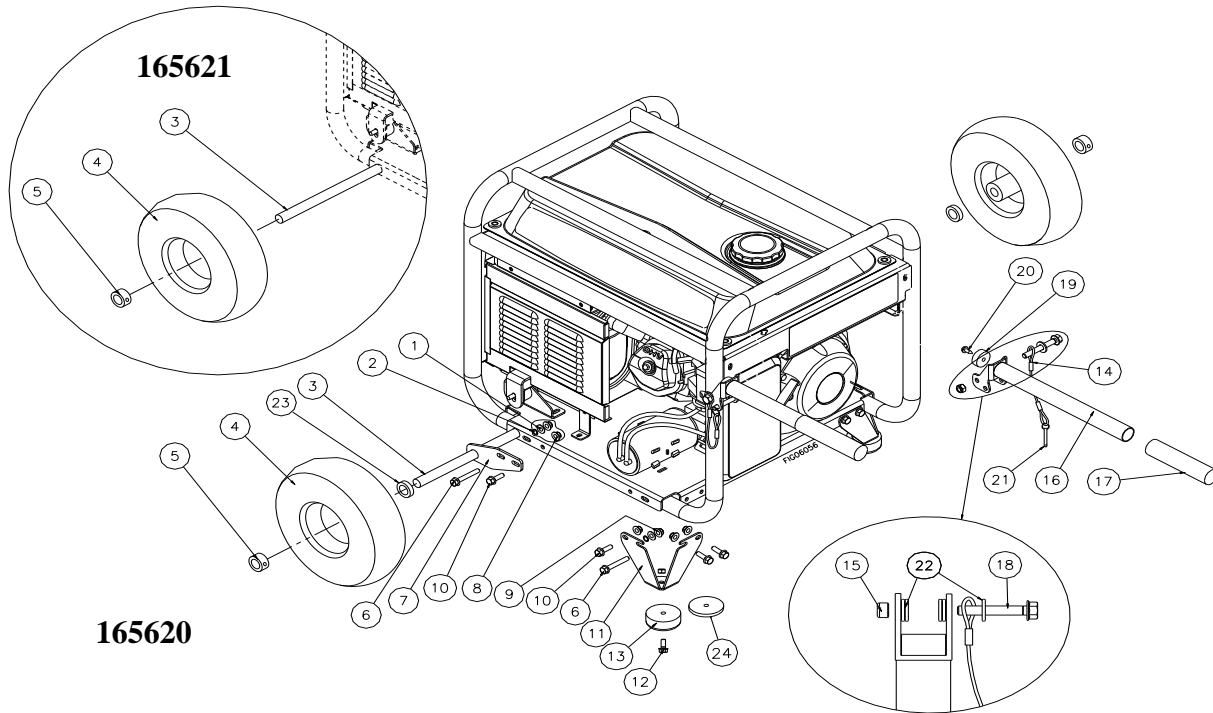


Generator Wheel Kit Item # 165620, 165621

For use on: 165601, 165603, 165604,
165605, 165606, 165607

M165620E.4

OWNER'S MANUAL

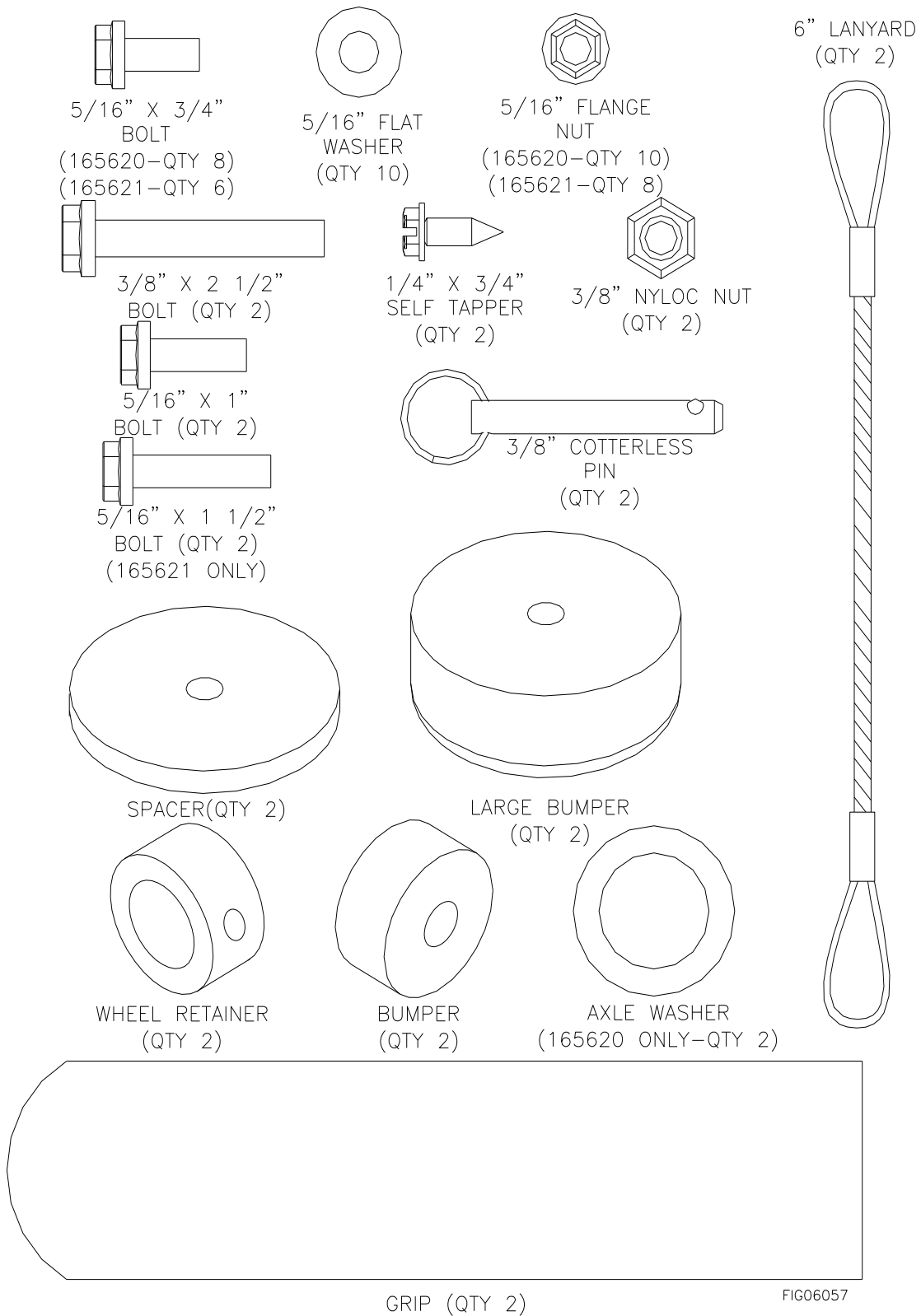


Ref.	Part #	Description	Used on	Qty
1	82021	5/16" washer (reuse from gen.)		4
2	82301	Star washer (reuse from gen.)		4
3	791834	Axle	165620	1
	785398		165621	
4	788813	Wheel		2
5	305200	Wheel retainer		2
6	82018	5/16" x 2" bolt (reuse from gen.)		4
7	785395	Axle mount	165620	2
			165621	
8	82019	5/16" flange nut	165620	10
			165621	8
9	82019	5/16" flange nut (reuse from gen.)		4
10	82015	5/16" x 3/4" bolt	165620	8
			165621	6
11	785423	Leg	165620	2
	785296		165621	
12	82016	5/16" x 1" bolt	165620	2
	82017	5/16" x 1-1/2" bolt	165621	2

Ref.	Part #	Description	Used On	Qty
13	15431	Large rubber foot	All	2
14	786756	Lanyard	All	2
15	82027	3/8" nyloc nut	All	2
16	785459	Handle	All	2
17	30747	Grip	All	2
18	82106	3/8" x 2-1/2" bolt	All	2
19	2215	Small rubber bumper	All	2
			All	
20	82232	1/4" x 3/4" self-tapper	All	2
21	38070	3/8" x 2-1/2" cotterless pin	All	2
22	82021	Flat washer	All	10
			All	
23	791782	Axle Washer	165620	2
24	804653	Spacer	165621	2

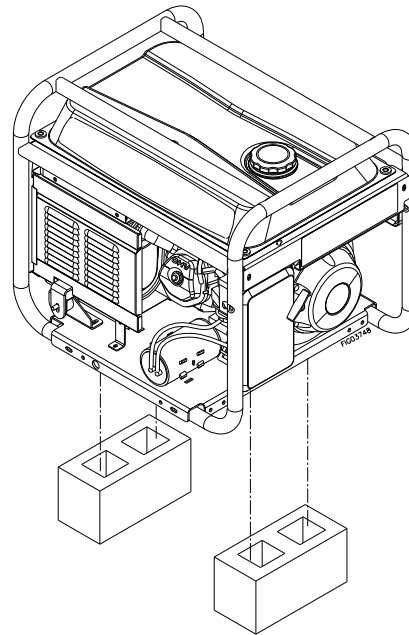
STEP 1

- Open hardware bag and separate the components.



STEP 2

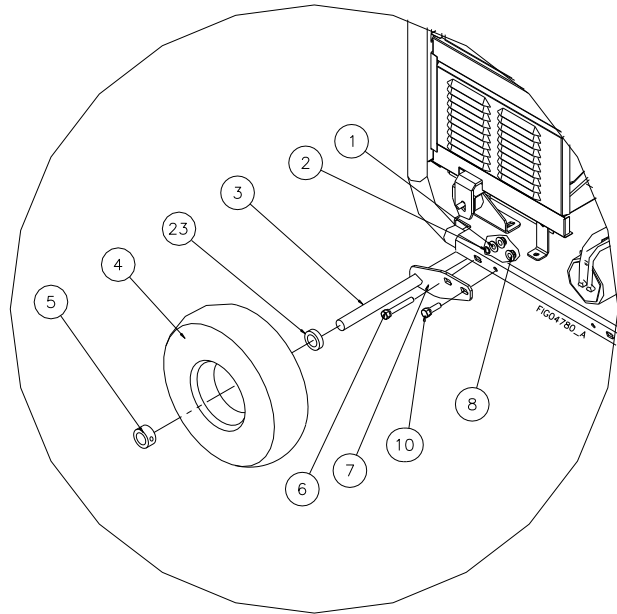
- Secure generator on blocks at least 7" tall. Make sure the space between the holes for the axle is not obstructed.



STEP 3a

Item # 165620 only

- Remove 5/16" x 2" bolt, star washer, flat washer and 5/16" nut from generator base.
- Attach axle mount to frame reusing 5/16" x 2" bolt, star washer, 5/16" washer, in addition to 5/16" x 3/4" bolt and 5/16" nuts as shown.
- Attach second axle mount on to frame, repeating axle to frame fastener installation.
- Install one wheel retainer onto axle so it is flush with the axle end. Tighten with a 5/32" hex driver.
- Slide one wheel onto the axle, so that the offset hub is opposite the wheel retainer.
- Slide one axle washer onto axle
- Slide the axle through the holes on both axle mounts.
- Slide the second axle washer onto axle.
- Slide the second wheel on to the axle. Wheel offset hub should face the generator.
- Install other wheel retainer onto axle so it is flush with the axle end. Tighten with a 5/32" hex driver.



Note: Tires may require periodic inflation.

Ref.	Part #	Description
1	82021	5/16" washer (reuse from gen.)
2	82301	Star washer (reuse from gen.)
3	791834	Axle
4	788813	Wheel
5	305200	Wheel retainer
6	82018	5/16" x 2" bolt (reuse from gen.)
7	785395	Axle mount
8	82019	5/16" flange nut
10	82015	5/16" x 3/4" bolt
23	791782	Axle Washer

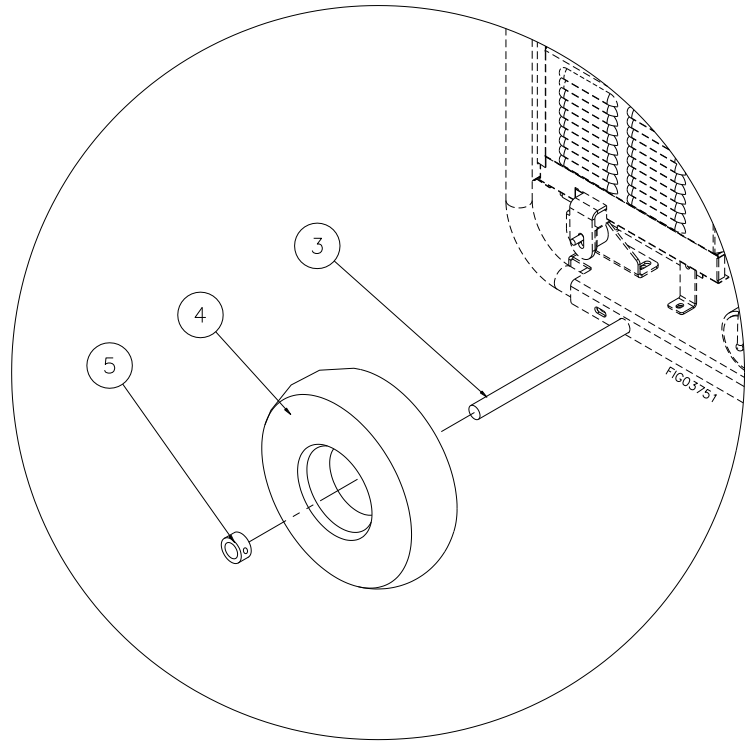
STEP 3b

Item 165621 only

1. Install one wheel retainer onto axle so it is flush with the axle end. Tighten with a 5/32" hex driver.
2. Slide one wheel onto the axle, so that the offset hub is opposite the wheel retainer.
3. Slide the axle through the holes on both sides of the base.
4. Slide the second wheel on to the axle. Wheel offset hub should face the generator.
5. Install other wheel retainer onto axle so it is flush with the axle end. Tighten with a 5/32" hex driver.

Note: Tires may require periodic inflation.

Ref.	Part #	Description
3	785398	Axle
4	788813	Wheel
5	305200	Wheel retainer

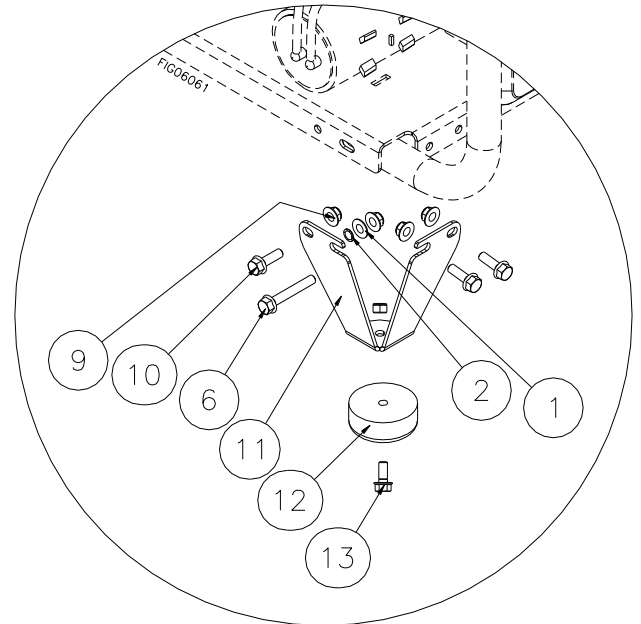


STEP 4a

Item 165620 only

1. Attach the large rubber foot to the leg using 5/16" x 1" bolt and 5/16" flange nut.
2. Remove 5/16" x 2" bolt, star washer, 5/16" washer and 5/16" nut from generator base.
3. Attach leg to generator base using the fasteners removed plus (3) 5/16" x 3/4" bolts, flat washers and 5/16" nuts.
4. Repeat steps for other leg.

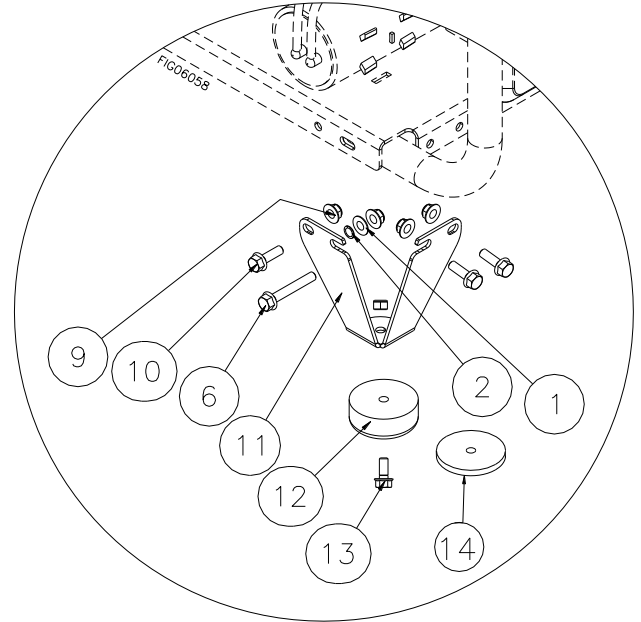
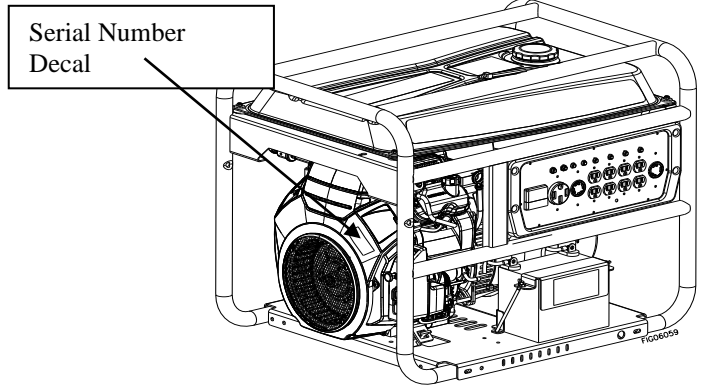
Ref.	Part #	Description
1	82021	5/16" washer (reuse from gen.)
2	82301	Star washer (reuse from gen.)
6	82018	5/16" x 2" bolt (reuse from gen.)
9	82019	5/16" flange nut (reuse from gen.)
10	82015	5/16" x 3/4" bolt
11	785423	Leg
12	15431	Large rubber foot
13	82016	5/16" x 1" bolt (165620)



STEP 4b

Item 165621 only

1. Attach the large rubber foot to the leg using 5/16" x 1-1/2" bolt and 5/16" flange nut. If installing a 165621 on a 165605, 165606, 165607 Rev V or later, place the spacer between the rubber foot and the leg. Revision letter can be found on the serial number decal refer to the figure to the right for its location.
2. Remove 5/16" x 2" bolt, star washer, 5/16" washer and 5/16" nut from generator base.
3. Attach leg to generator base using the fasteners removed plus (3) 5/16" x 3/4" bolts, flat washers and 5/16" nuts.
4. Repeat steps for other leg.

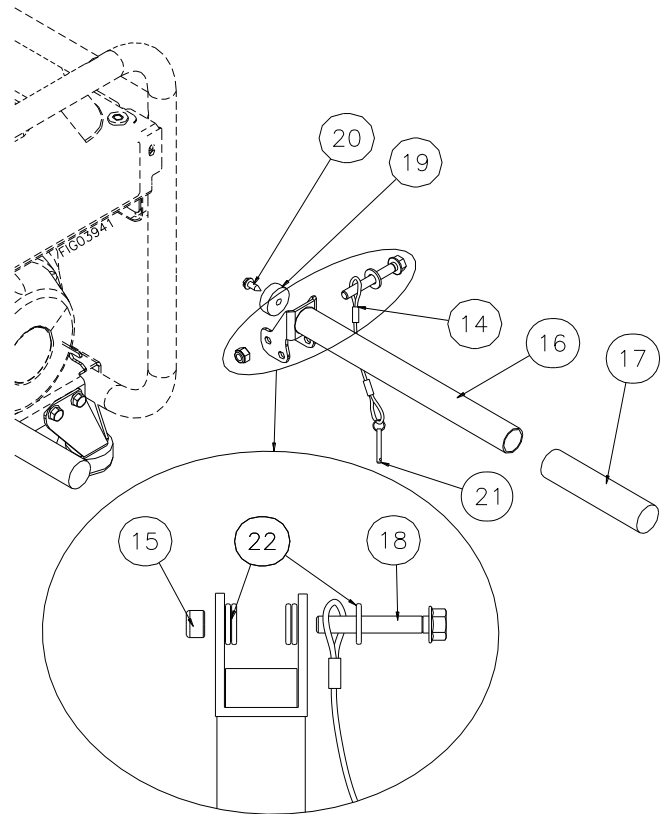


Ref.	Part #	Description
1	82021	5/16" washer (reuse from gen.)
2	82301	Star washer (reuse from gen.)
6	82018	5/16" x 2" bolt (reuse from gen.)
9	82019	5/16" flange nut (reuse from gen.)
10	82015	5/16" x 3/4" bolt
11	785296	Leg (165621)
12	15431	Large rubber foot
13	82017	5/16" x 1.5" bolt (165621)
14	804653	Spacer

STEP 5

1. Install grip onto handle.
2. Attach small bumper to handle with 1/4" x 3/4" self-tapper.
3. Insert (1) 3/8" x 2-1/2" bolt through (1) flat washer and through one end of lanyard as shown. Attach 3/8" cotterless pin to other end of lanyard.
4. Install handle to generator using 3/8" x 2-1/2" bolt, (4) flat washers and (1) 3/8" nyloc nut until washers press against tube walls.
5. Repeat steps for other handle.
6. Insert cotterless pin through bottom hole of arm so handle doesn't fold up while in use.

Ref.	Part #	Description
14	786756	Lanyard
15	82027	3/8" nyloc nut
16	785459	Handle
17	30747	Grip
18	82106	3/8" x 2-1/2" bolt
19	2215	Small rubber bumper
20	82232	1/4" x 3/4" self-tapper
21	38020	3/8" x 2-1/2" cotterless pin
22	82021	Flat washer



Any Questions, Comments, or Problems
Call NorthStar Product Support 1-800-270-0810

Dear Valued Customer:

The NorthStar Product you just purchased is built with the finest material and craftsmanship. Use this product properly and enjoy the benefits from its high performance. By purchasing a NorthStar product, you show a desire for quality and durability.

Like all mechanical equipment this unit requires a due amount of care. Treat this unit like the high quality piece of machinery it is. Neglect and improper handling may impair its performance. Please thoroughly read the instructions and understand the operation before using your product.

Limited Warranty

NorthStar shall warranty any piece of equipment manufactured, or parts of equipment manufactured, to be free from defects in material or workmanship for a period of 2 years from the date of purchase by user. This warranty applies to the original purchaser of the equipment and is non-transferable. Verification of purchase is the responsibility of the buyer. Parts will be replaced or repaired at no charge, except when the equipment has failed due to lack of proper maintenance. Any misuse, abuse, alteration or improper installation or operations will void warranty. Determining whether a part is to be replaced or repaired is the sole decision of NorthStar.

NOTE: Some services performed by parties other than NorthStar may void warranty.

This warranty covers parts only. It will not provide for replacement of complete products due to defective parts. Components not manufactured by NorthStar such as engines are guaranteed by their manufacturer and can be serviced at factory-authorized locations near you. Any costs incurred due to replacement or repair of items outside of a NorthStar approved facility is the responsibility of the buyer and not covered under warranty. NorthStar can supply you with the service center location in your area.

This warranty specifically excludes the following; failure of parts due to damage caused by accident, fire, flood, windstorm, acts of God, applications not approved by NorthStar in writing, corrosion caused by chemicals, use of replacement parts which do not conform to manufacturer's specifications, and damage caused by vandalism. Additional exclusions: loss of running time, inconvenience, loss of income, or loss of use, including any implied warranty of merchantability of fitness for a specific use.

Warranty does not cover items subject to normal wear such as tires, receptacles or any part subject to direct physical contact by the public. This warranty does not cover any personal injury or damage to surrounding property caused by failure of any part.

This warranty is in lieu of any other warranty expressed or implied and NorthStar assumes no other responsibility or liability outside that expressed within this warranty.

Please fill in the following information and have it on hand when you call in a warranty claim.

Customer Number: _____

Date of Purchase: _____

NorthStar Serial Number: _____

Item Number: _____

⚠WARNING: This product can expose you to Naphthalene, which is known to the State of California to cause cancer.

For more information go to www.P65Warnings.ca.gov.



Manufactured by
Northern Tool + Equipment Co., Ltd.
Burnsville, MN 55306
NorthernTool.com