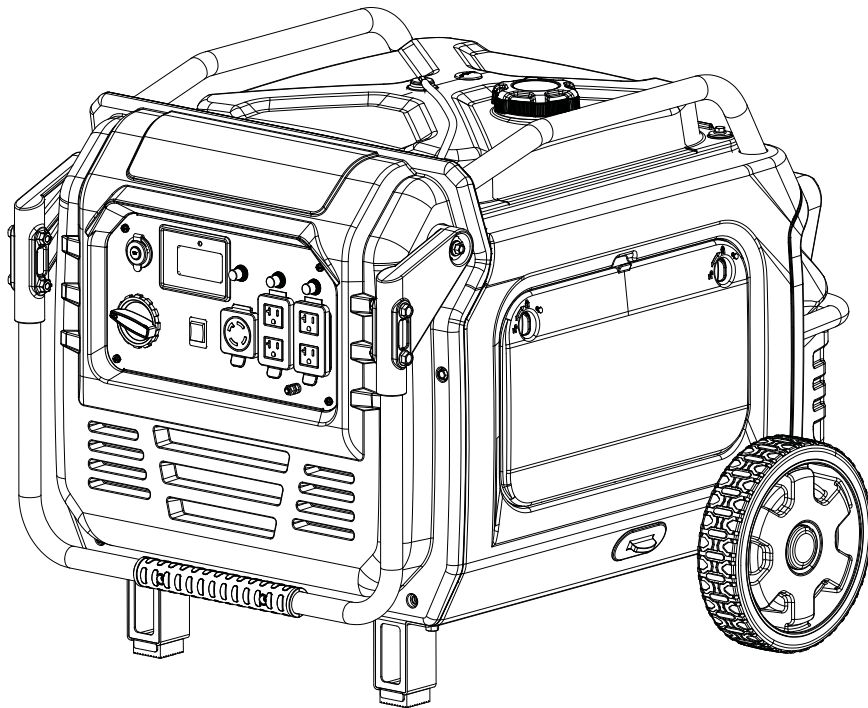


Champion Power Equipment, Inc., Santa Fe Springs, CA USA

MODEL #100719



PARTS INFORMATION

8500W ELECTRIC START INVERTER GENERATOR

SERIAL NUMBER RANGE: ALL



To order replacement parts please visit:
shop.championpowerequipment.com
or call **1-877-338-0999**.

TABLE OF CONTENTS

Inverter Generator Diagram	3
Inverter Generator Parts List	4
Engine Parts Diagram	6
Engine Parts List	7
Cylinder Head Diagram	9
Cylinder Head Parts List	10
Carburetor Diagram	11
Carburetor Parts List	12
Frame Assembly Diagram	13
Frame Assembly Parts List	14
Fuel Tank Diagram	15
Fuel Tank Parts List	16
Control Panel Diagram	17
Control Panel Parts List	18
Wiring Diagram	19

INVERTER GENERATOR DIAGRAM

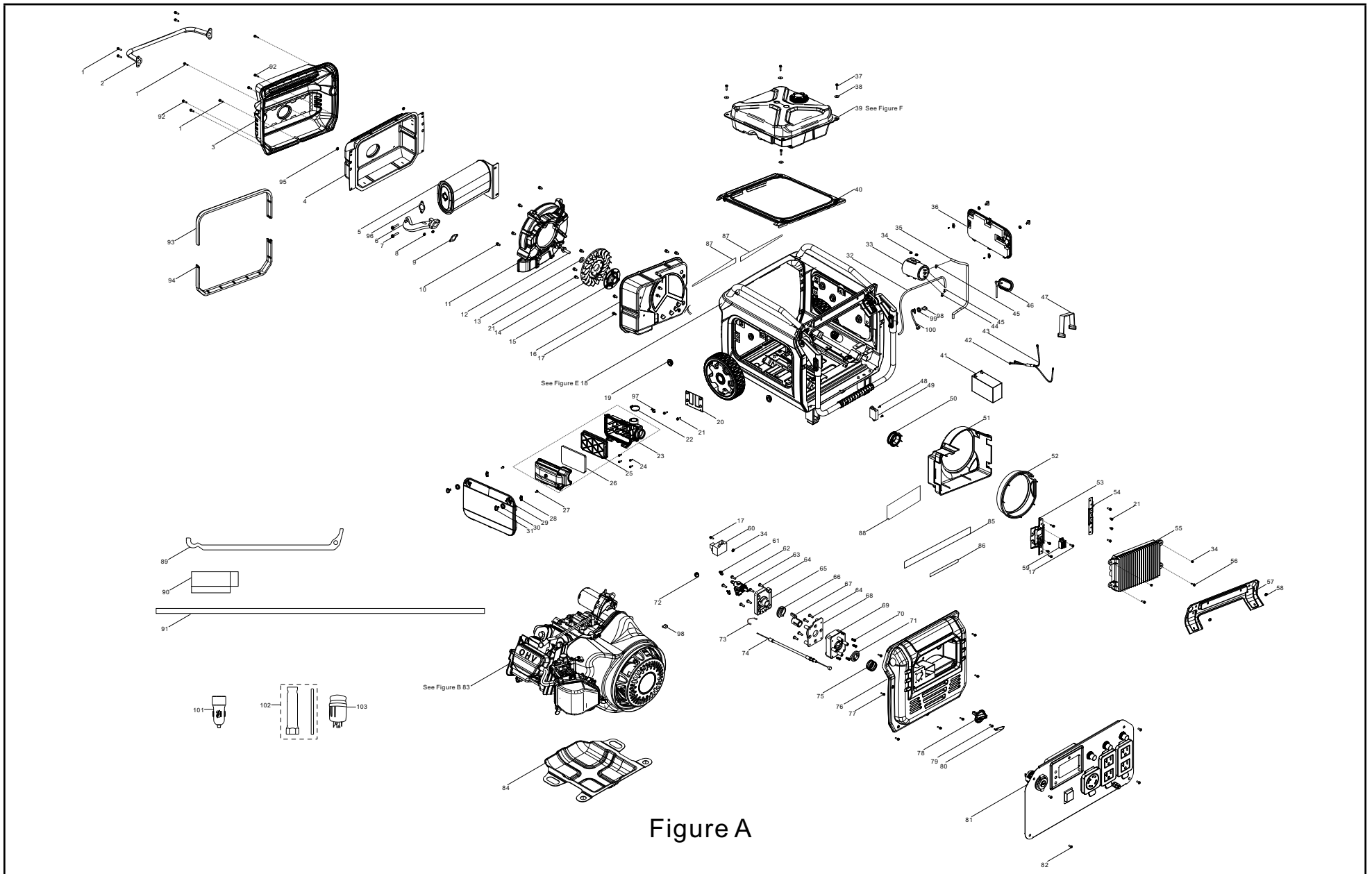


Figure A

INVERTER GENERATOR PARTS LIST

#	Part Number	Description	Qty.
1	90001-0625-03A0	Hexagon Flange Bolt, M6 x 25, Black Zinc	9
2	51001-YFA0110-H700	Crossbar Tube, Ø25	1
3	16673-YFA0110-Q200	Shield, Muffler Protection	1
4	18130-YFA0110-H700	Muffler Guard	1
5	18100-YFA0110-00A0	Muffler Assembly	1
6	18150-YFA0110-00A0	Exhaust Pipe, Muffler	1
7	90001-0840-0301	Hexagon Flange Bolt, M8 x 40, Black Zinc	2
8	90303-0800-33A0	Nut M8, Black Zinc	2
9	18001-Z1X0110-00A0	Exhaust Outlet Gasket	1
10	90001-0825-01A1	Hexagon Flange Bolt, M8 x 25, White Zinc	4
11	28110-YFA0110-0000	Shroud, Crankcase Cover	1
12	90002-1030-01	Hexagon Flange Bolt, M10 x 30, White Zinc	1
13	90408-1000-E1A0	Flat Washer, White Zinc	1
14	19352-YFA0110-00A0	Cooling Fan, Inverter	1
15	13515-YFA0110-0000	Mounting disc, Cooling Fan, Ø20 x Ø89 x 3.5	1
16	18003-YFA0110-H7A0	Muffler Guard, Inner	1
17	90001-0616-01A1	Hexagon Flange Bolt, M6 x 16, White Zinc	8
18	96003-ZSS0R10-0000	Frame Assembly - See Figure H	1
19	16601-Y2V0210-0001	Vibration Mount, Fuel Tank	6
20	17003-YFA0110-H700	Air Cleaner Support	1
21	90001-0612-01A0	Hexagon Flange Bolt, M6 x 12, White Zinc	13
22	12081-Z1E0110-0000	Clamp, Inlet Tube, M6x15	1
23	17100-Z1E0310-0000	Air Cleaner	1
24	90001-0620-01A0	Hexagon Flange Bolt, M6 x 20, White Zinc	4
25	17150-Z1E0110-0000	Element Assembly, Air Cleaner	1
26	17151-Z1E0210-0000	Element, Air Cleaner	1
27	90124-Y9T0310-00A0	Self Tapping Screw, PT4x13	4
28	24329-YFB0110-Q200	Block	4
29	80092-YFA0110-L400	Cover Board, Left	1
30	16527-YFB0210-0000	Spring, Stopper Adjusting	4

#	Part Number	Description	Qty.
31	35643-YFB0110-Q2A0	Knob, Switch Dial, Engine	4
32	16804-YFA0110-00A0	Connection Tube, Ø6 x Ø05 x 470- 7.5x 11x20	1
33	16801-YGC0110-00A1	Carbon Canister, 650 cc	1
34	90305-0600-01A1	Hexagon Flange Nut, M6, White Zinc	5
35	16805-YFA0110-00A0	Connection Tube, Air Cleaner, Ø4.5 x Ø8.5 x 737.5 - Ø6.5 x Ø10.5 x 17.5	1
36	80096-YFA0110-L400	Cover Board, Right	1
37	90001-0630-0305	Hexagon Flange Bolt, M6 x 30, Black Zinc	4
38	90408-Y020110-00A0	Flat Washer, 6.2x25x2, Black Zinc	4
39	96003-ZSS0V10-0000	Fuel Tank Assembly - See Figure F	1
40	35671-YFA0110-0000	Waterproof Strip	1
41	31110-YHB0110-00A0	Battery, 12V/14Ah, 150 x 65 x 90	1
42	31112HYJE0110-0000	DC Wire Harness, Battery	1
43	31114HYFA0110-0000	DC Wire Harness, Engine	1
44	90685-D120-0EA0	Clamp, Ø12 x 0.8 x 8	1
45	90685-D090-0EA0	Clamp, Ø9 x 0.8 x 8	2
46	90722-YFA0110-0000	Plug, End	1
47	31115-Y4G0110-0000	Strap, Battery	1
48	90103-0512-53A0	Screw, M5 x 12, Black Zinc	2
49	35720-YJR0110-0000	CO Alarm	1
50	17006-YFA0110-0000	Air Cleaner cushion	1
51	30041-YFA0110-Q200	Inverter Cover	1
52	30214-YFA0110-00A0	Gasket, Inverter Cover	1
53	30081-YFA0110-H700	Inverter, Bracket 1	1
54	30081-YFA0210-H700	Inverter, Bracket 2	1
55	30043-YFA0110-00A0	Inverter, 6.8/7.5kW_120V/240V_60Hz	1
56	90001-0620-01A1	Hexagon Flange Bolt, M6 x 20, White Zinc	2
57	51150HYFA0110-H7A0	Guard Plate Assembly	1
58	90305-0800-33A0	Hexagon Flange Nut, M8, Black Zinc	2

#	Part Number	Description	Qty.
59	30060-YFA0110-0000	Rectifier	1
60	30007-Y9X0210-0000	Charger Module, EC0803	1
61	90685-D085-0EAO	Clamp, Ø8.5 x 0.6 x 8	2
62	90255-0410-51A0	Screw & Washer Assembly, M4 x 10, White Zinc	2
63	16750-YJ10110-0000	Fuel Switch	1
64	90129-0416-01A0	Self Tapping Tcrew, White Zinc	8
65	50132HYHX0110-0000	Bracket, Fuel Switch	1
66	16144-YHX0110-0000	Stop block, Choke Pull	1
67	16144-YHX0210-0000	Stop block, Choke Pull	1
68	16265-YHX0110-Q200	Support Plate	1
69	35021-YHX0110-0000	Control Enclosure	1
70	90107-0413-03A0	Self Tapping Screw, PT4.2x13	4
71	16265-YHX0210-Q200	Support Plate	1
72	90698-Y1Z0110-0000	Protective Rubber Sleeve	1
73	35191-YFA0110-0000	Wiring Harness, Microswitch	1
74	16080-YFT0110-0000	Choke Handle Subassembly	1
75	28224-YHX0110-00A0	Compression Spring	1
76	35680-YFA0110-Q200	Control Panel Housing	1
77	90001-0616-03A0	Hexagon Flange Bolt, M6 x 16, Black Zinc	7
78	35643-YFB0210-Q2A0	Knob, Switch Dial, Engine	1
79	90103-0416-51A0	Screw, M4 x 16, White Zinc	1
80	82007-YJ70110-L400	Decorative Cover	1
81	35610-YFA0110-0000	Control Panel Assembly - See Figure G	1
82	90103-0512-53A0	Screw, M5x12, Black Zinc	6
83	R420DVI00FGB-CMP02	Engine, 420cc	1
84	19306-Z1E0110-0000	Crankcase Air Deflector	1
85	51198-YFA0110-00A0	Sealing Strip, 420x15x2	1
86	51198-YFA0410-00A0	Sealing Strip, 330x10x2	3
87	51198-YFA0810-00A0	Sealing Strip, 132x15x1.5	2
88	51198-YFA0510-00A0	Sealing Strip, 153x68x2	1
89	51198-YFA0610-00A0	Sealing Strip, 17x2x(38+422+35), Left	1

#	Part Number	Description	Qty.
90	51198-YFA0710-00A0	Sealing Strip, 17x2x(38+422+35), Right	1
91	18212-YFA0110-00A0	Sound-absorbing Cotton	1
92	90001-0612-03A0	Hexagon Flange Bolt, M6 x 12, Black Zinc	2
93	18005-YFA0110-0000	Heat Insulation rubber, muffler inner cover, Up	1
94	18005-YFA0210-0000	Heat Insulation rubber, muffler inner cover, Down	1
95	90305-0600-33A0	Hexagon Flange Nut, M6, Black Zinc	2
96	18001-Z190110-00A0	Exhaust Outlet Gasket	1
97	90685-D105-0EAO	Clamp, Ø10.5 x 0.8 x 8	1
98	90001-0610-01A0	Hexagon Flange Bolt, M6 x 10, White Zinc	2
99	90415-0600-Z301	Lock Washer, Toothed, Black Zinc	1
100	30009-YDZ0310-0000	Grounding Wire	1
101	35613-YBE0210-0000	12VDC USB Adapter	1
102	93130-YA50110-0100	Spark Plug Socket	1
103	35613-YDR0210-Q600	Adapter, L14-30P to TT-30R	1

ENGINE PARTS DIAGRAM

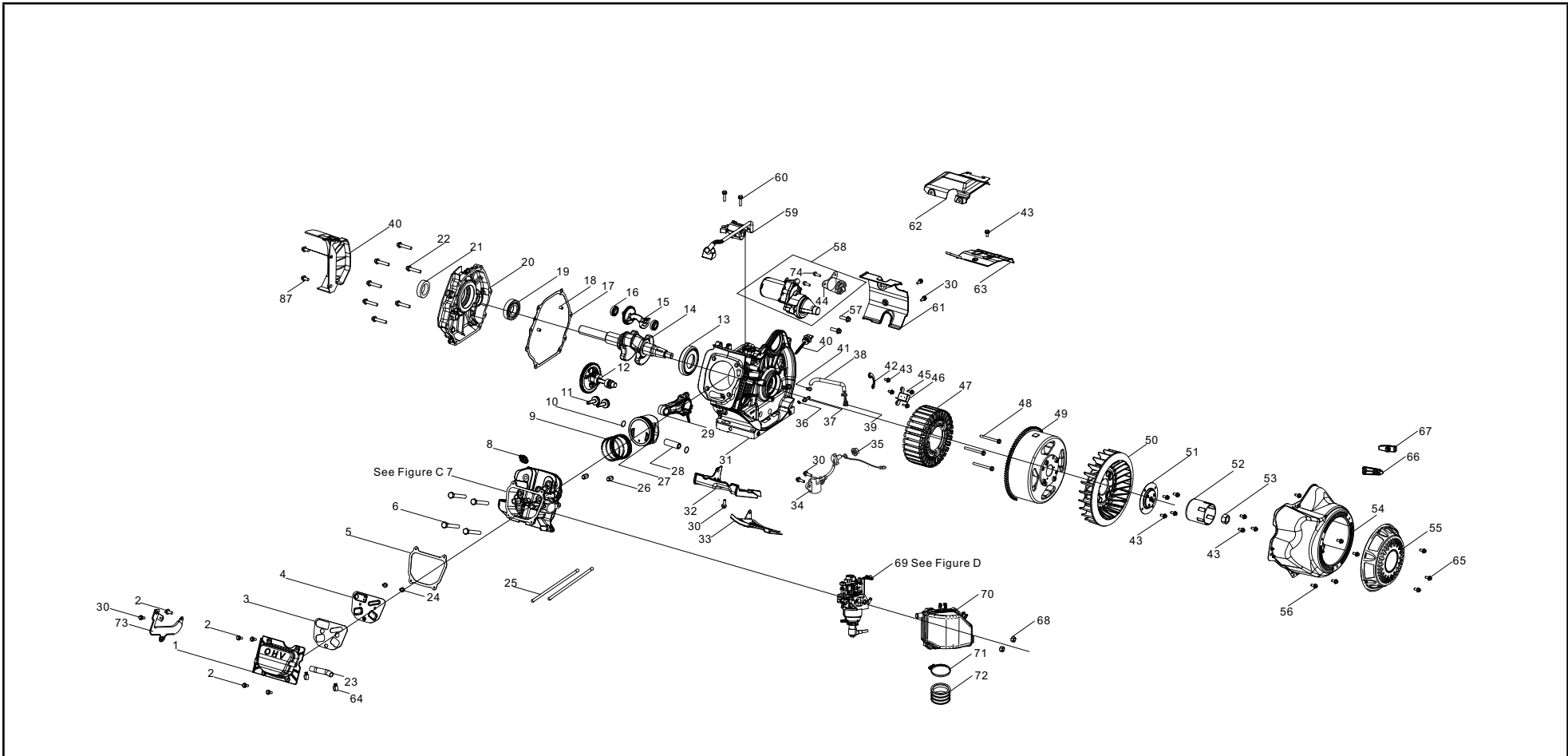


Figure B

ENGINE PARTS LIST

#	Part Number	Description	Qty.
1	12410-Z1E0110-0B00	Cylinder Head Cover Subassembly	1
2	90001-0620-01A1	Hexagon Flange Bolt, M6 x 20, White Zinc	5
3	11332-Z1E0110-0000	Gasket, Breather Groove Cover	1
4	11320-Z1E0110-0000	Breather	1
5	12004-Z1E0110-0000	Cylinder Head Cover Gasket	1
6	12003-Z080110-00A0	Cylinder Head Bolt, M10 x 80, White Zinc	4
7	96003-ZSS0S10-0000	Cylinder Head Assembly	1
8	30010-Z050110-00A0	Spark Plug, F7RTC	1
9	13200-Z190210-00A9	Piston Ring Assembly	1
10	13122-Z100110-00A0	Piston Pin Clip	2
11	14081-Z080110-00A0	Valve Tappet	2
12	14200-Z190810-00A0	Camshaft Assembly	1
13	90682-Z0J0110-00A0	Oil Seal, Ø40 x Ø52 x 9	1
14	13300-Z1E0211-0000	Crankshaft Assembly	1
15	13400-Z190320-00A0	Balancing Shaft	1
16	90548-0202-00A0	Bearing, 6202	2
17	11001-Z100220-00A0	Crankcase Gasket	1
18	90502-0812-00A0	Pin, 8 x 12	2
19	90547-0207-00A0	Bearing, 6207	1
20	11411-Z1E0110-0B00	Crankcase Cover	1
21	90682-Z100110-00A0	Oil Seal, Ø35 x Ø52 x 7	1
22	90001-0840-01A1	Hexagon Flange Bolt, M8 x 40, White Zinc	7
23	17004-Z1E0310-00A0	Tube, Breather	1
24	90001-0512-01A0	Hexagon Flange Bolt, M5 x 12, White Zinc	2
25	14070-Z0J0110-00A0	Valve Lifter	2
26	90502-1220-00A0	Pin, 12 x 20	2
27	13111-Z0J0110-00A0	Piston	1
28	13121-Z100110-00A0	Piston Pin, Ø20 x Ø14.75 x 62	1
29	13010-Z190120-00A0	Connecting Rod	1
30	90001-0616-01A1	Hexagon Flange Bolt, M6 x 16, White Zinc	6

#	Part Number	Description	Qty.
31	11310-Z1E0110-0B00	Crankcase Subassembly	1
32	19305-Z1E0110-0000	Cylinder Body Shroud 2	1
33	12014-Z1E0110-0000	Head Air Deflector	1
34	37060-Z080410-0000	Engine oil Sensor, W/O Nut	1
35	90305-Z010210-01A0	Hexagon Flange Nut, M10, White Zinc	1
36	90408-Z010510-00A0	Flat Washer, Ø15.8	1
37	90689-Z430211-00A0	Connector, Fuel Tube	1
38	11011-Z980210-0000	Oil Drain Hose Assembly	1
39	15031-Z980110-L400	Oil Plug Subassembly	1
40	15010-Z080131-Q2A0	Oil Dipstick Subassembly	1
41	90685-Z120210-0000	Clamp	2
42	30002-Z1E0110-0000	Magneto Wiring Clamp	1
43	90001-0612-01A1	Hexagon Flange Bolt, M6 x 12, White Zinc	10
44	30500-Z170120-0000	Starting Relay	1
45	90001-0516-01A1	Hexagon Flange Bolt, M5 x 16, White Zinc	2
46	30130-Z1E0312-0000	Trigger Assembly	1
47	30120-YFA0110-0000	Stator Component, Ø179 x 53	1
48	90007-0665-A1A0	Hexagon Flange Bolt, M6 x 65, White Zinc	3
49	30110-YFA0110-00A0	Rotor Component, Ø179 x 53	1
50	19352-Z980110-00A0	Cooling Fan, Engine	1
51	28020-Z150120-0000	Starter Pulley Base	1
52	28002-Z1E0110-0000	Starter Pulley, White Zinc	1
53	13501-Z080110-00A0	Flywheel Nut, M16 x 1.5, White Zinc	1
54	28110-Z1E0111-H700	Shroud	1
55	28200-Z1E0110-H700	Recoil Starter Assembly	1
56	90001-0612-03A0	Hexagon Flange Bolt, M6 x 12, Black Zinc	5
57	90001-0825-01A1	Hexagon Flange Bolt, M8 x 25, White Zinc	2
58	30300-Z980610-0000	Motor Assembly, Starting	1
59	30400-Z1E0513-0001	Ignition Coil	1
60	90001-0625-01A1	Hexagon Flange Bolt, M6 x 25, White Zinc	2

#	Part Number	Description	Qty.
61	19351-Z1E0110-0000	Rear Shield, Crankcase	1
62	19304-Z1E0110-0000	Cylinder Body Shroud	1
63	28118-Z1E0110-0000	Block	1
64	90685-Z120110-00A0	Clamp, Ø10.5, White Zinc	2
65	90001-0608-03A0	Hexagon Flange Bolt, M6 x 8, Black Zinc	3
66	28004-YHX0110-Q200	Guide plate combination, Start Pull Rope	1
67	28210-YEB0110-L400	Start Pull Handle	1
68	90305-0600-31A0	Hexagon Flange Nut, M6, White Zinc	2
69	96003-ZSS0T10-0000	Carburetor Assembly, See Figure D	1
70	17400-Z1E0111-0000	Secondary Air Cleaner	1
71	12081-Z1E0110-0000	Clamp, Inlet Tube	1
72	12510-Z1E0110-0000	Inlet Tube	1
73	51124-YFA0110-H700	Mounting Bracket	1
74	90001-0516-01A0	Hexagon Flange Bolt, M5 x 16, White Zinc	2

CYLINDER HEAD DIAGRAM

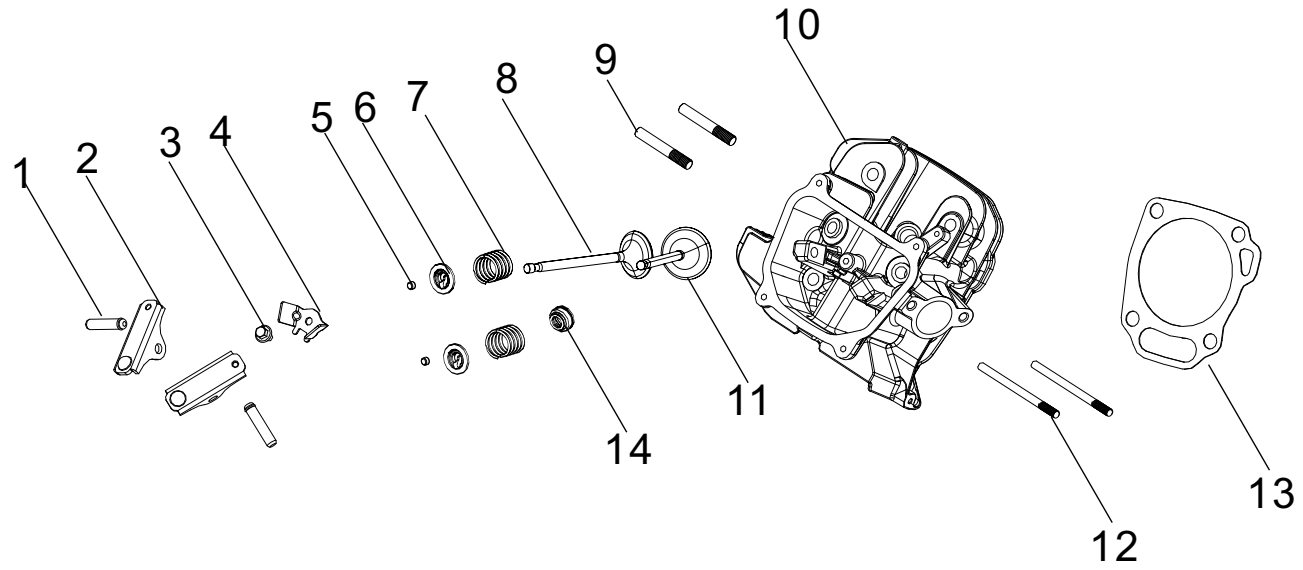


Figure C

CYLINDER HEAD PARTS LIST

#	Part Number	Description	Qty.
1	14318-Z990111-00A0	Valve Rocker Shaft Subassembly	2
2	14310-Z0J0110-00A0	Valve Rocker Subassembly	2
3	90001-0612-01A1	Hexagon Flange Bolt, M6 x 12, White Zinc	1
4	12419-Z950311-00A0	Pin Plate, Cylinder Head Cove	1
5	12104-Z010110-00A0	Valve Adjusting Cap, Ø5.6 x Ø8.5 x 5.2	2
6	12107-Z010110-00A0	Valve Spring Retainer, Exhaust valve	2
7	12103-Z990110-00A0	Valve Spring, Ø19.1 x Ø2.5 x 38	2
8	12121-Z0J0410-00A0	Exhaust Valve	1
9	90204-Z940210-0300	Stud, M8 x 47, Black Zinc	2
10	12140-Z1E0111-0BA0	Cylinder Head	1
11	12111-Z0J0210-0000	Intake Valve	1
12	90204-Z100410-0000	Stud, M6/M8 x 110, Black Zinc	2
13	12131-Z190510-00A0	Cylinder Head Gasket	1
14	12101-Z810110-00A0	Seal Guide	1

CARBURETOR DIAGRAM

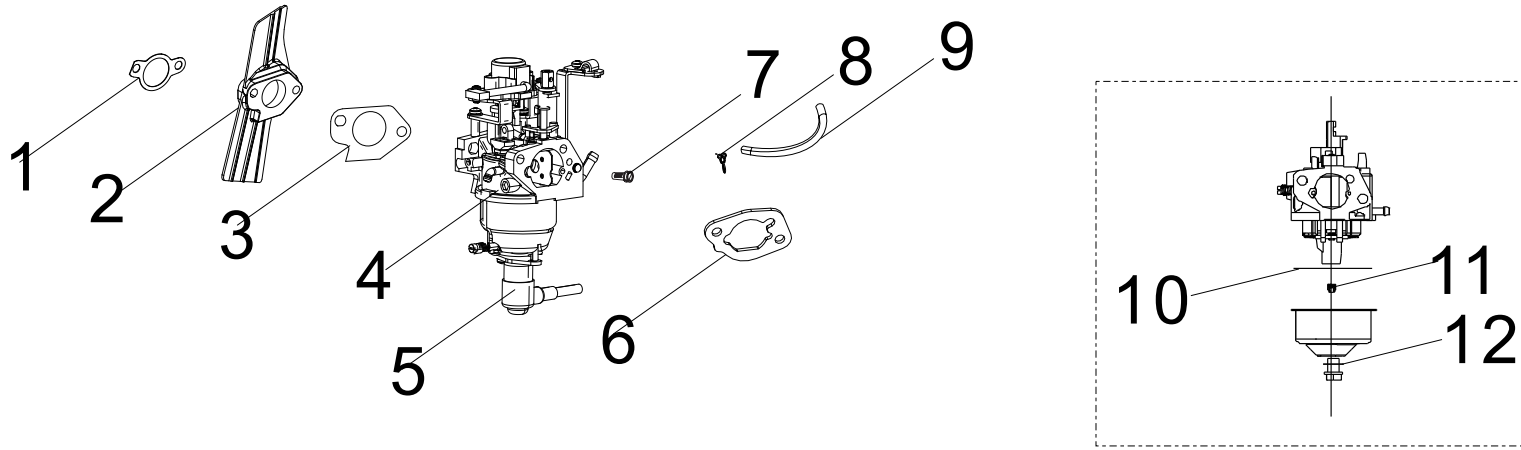
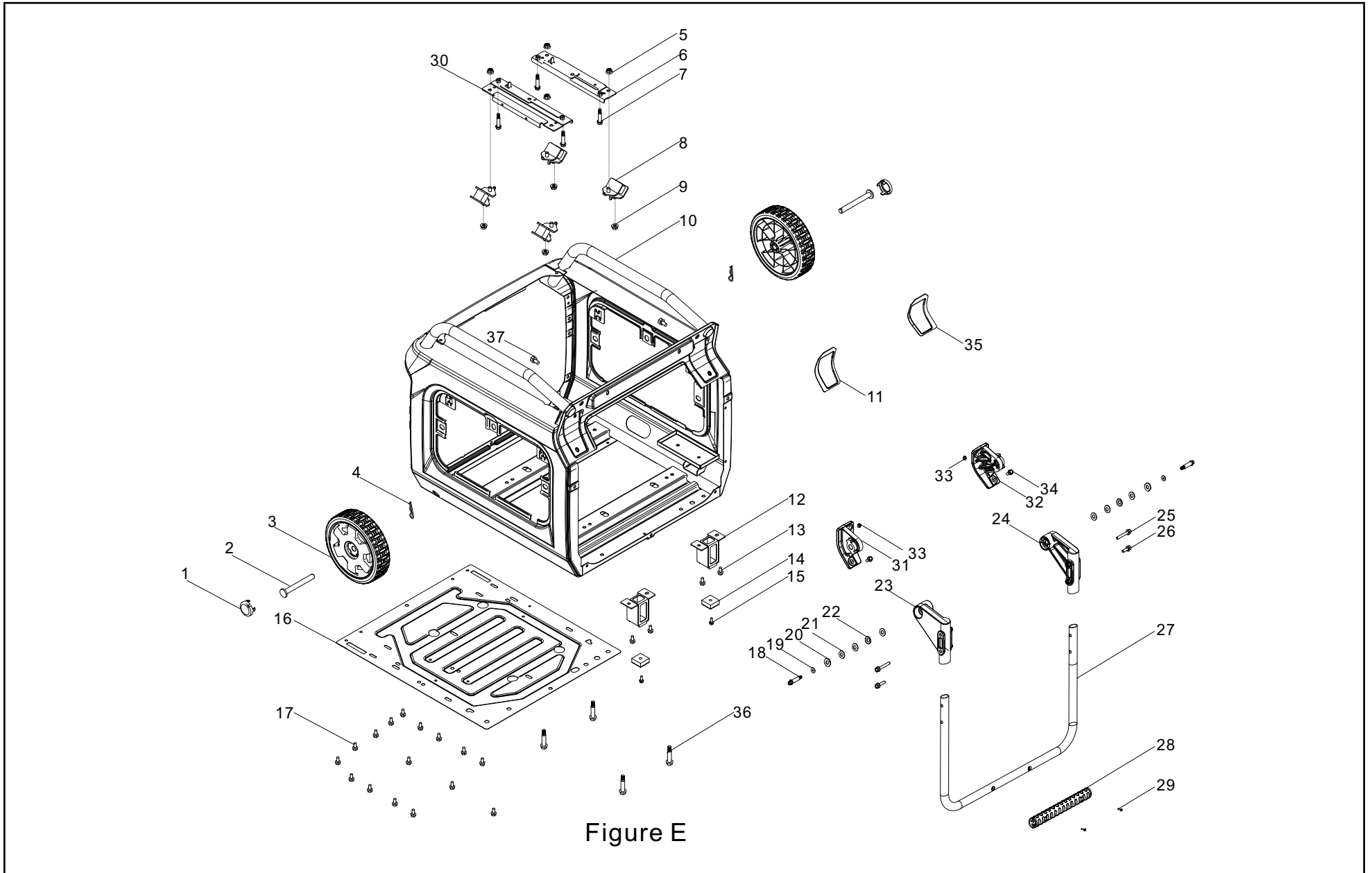


Figure D

CARBURETOR PARTS LIST

#	Part Number	Description	Qty.
1	17002-Z0J0110-00A0	Gasket, Inlet	1
2	16003-Z1E0110-0000	Carburetor Insulator Plate	1
3	16001-Z100110-00A0	Carburetor Gasket	1
4	16100-Z1E0611-00A0	Carburetor Assembly	1
5	16108-Z1E0210-0000	Magnetic Valve	1
6	17001-Z520210-00A0	Air Cleaner Gasket	1
7	16652-Z800110-00A0	Fuel Filter	1
8	90685-D090-0EAO	Clamp, Ø9 x Ø0.8 x 8, Army Green Zinc	1
9	90686-YBW0310-00M0	Fuel Tube, Ø4.5 x Ø8.5 x 260	1
10	16112-Z980210-00A0	Seal Ring, Float	1
11	16161-Z560210-00A0	Main Jet (H128x0.50), Standard	1
	16161-Z520110-00A0	Main Jet (H128X0.53), Altitude 3000-6000 Feet	/
	16161-Z100110-00A0	Main Jet (H128X0.56), Altitude 6000-8000 Feet	/
12	90681-Z1E0110-00A0	Seal Ring	1

FRAME ASSEMBLY DIAGRAM



FRAME ASSEMBLY PARTS LIST

#	Part Number	Description	Qty.
1	44001-V580110-L400	Cover, Hub Decorated	2
2	42002-YFA0211-0300	Axle, Black Zinc	2
3	44110-YGM0110-L400	Wheel, 9.5in, Yellow	2
4	90501-Y2C0110-03A1	B-Clip, White Zinc	2
5	90305-1000-31	Hexagon Flange Nut, M10, White Zinc	4
6	51002-YFA0410-H700	Engine base plate	1
7	90001-1040-01	Hexagon Flange Bolt, M10 x 40, White Zinc	4
8	51005HYN40110-00A0	Vibration Mount 1, Frame	4
9	90305-0800-31A0	Hexagon Flange Nut, M8, White Zinc	4
10	51100-YFA0110-H7A0	Frame Assembly	1
11	51198-YFA0310-00A0	Sealing Strip, 15×5×(68+182+46+190), Right	1
12	51016-YFA0210-H7A0	Bracket, Support Leg	2
13	90001-0816-03A0	Hexagon Flange Bolt, M8 x 16, Black Zinc	4
14	51014HY940110-0000	Support Leg	2
15	90001-0616-03A0	Hexagon Flange Bolt, M6 x 16, Black Zinc	2
16	51143HYFA0110-H700	Plate, Bottom	1
17	90001-0612-03A0	Hexagon Flange Bolt, M6 x 12, Black Zinc	16
18	71116-YFA0110-0300	Connecting Bolt, M8 x 1.25 x 11.5, Black Zinc	2
19	90412-YBW0110-Q2A0	Flat Washer, Ø12.2 x 27 x 2	2
20	42017-YG80110-09A0	Locking Washer, White Zinc	2
21	90412-YBW0210-01A0	Flat Washer, Ø13 x 25 x 1, White Zinc	4
22	90419-YBW0110-0300	Washer, Butterfly, Ø12.2 x 25 x 1 x 2, Black Zinc	4
23	54122-YFA0110-0000	Left Seat 1, Handle Tube Connecting	1
24	54122-YFA0210-0000	Left Seat 2, Handle Tube Connecting	1
25	90001-0845-03A0	Hexagon Flange Bolt, M8 x 45, Black Zinc	2
26	90001-0810-03A0	Hexagon Flange Bolt, M8 x 10, Black Zinc	2
27	54110-YFA0110-H7A0	Handle, Ø25 x 1.2	1
28	54101-YGM0110-L400	Handle Sheath, PMS 109C	1
29	90103-0416-5301	Screw, M4 x 16, Black Zinc	2

#	Part Number	Description	Qty.
30	51002-YFA0310-H700	Engine base plate 1	1
31	54113HYFA0110-00A0	Left Seat, Handle Tube Connecting	1
32	54113HYFA0210-00A0	Right Seat, Handle Tube Connecting	1
33	90305-0800-33A0	Hexagon Flange Nut, M8, Black Zinc	2
34	90001-0820-0301	Hexagon Flange Bolt, M8 x 20, Black Zinc	2
35	51198-YFA0210-00A0	Sealing Strip, 15×5×(68+182+46+190)	1
36	71116-YFA0210-L200	Connecting Bolt, M8 x 1.25 x 11.5, Orange	4
37	90001-0816-03A0	Hexagon Flange Bolt, M8 x 16, Black Zinc	2

FUEL TANK DIAGRAM

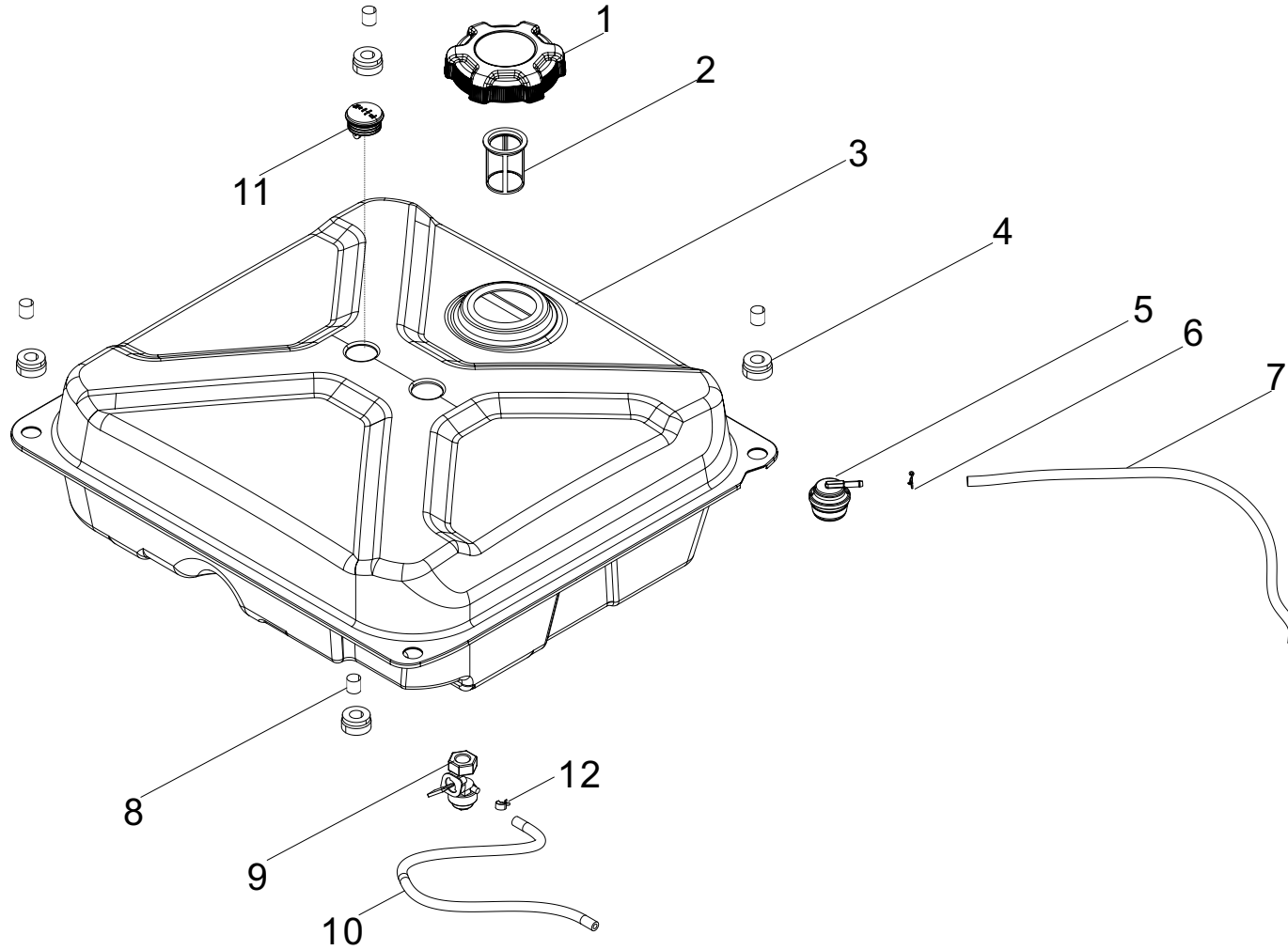


Figure F

FUEL TANK PARTS LIST

#	Part Number	Description	Qty.
1	16730-YGM0110-00A0	Fuel Tank Cap	1
2	16652-YGM0110-00A0	Fuel Filter	1
3	16620-YFA0110-L4A0	Fuel Tank	1
4	16601-Y020120-00A0	Rubber Sleeve, Vibration Mount, Fuel Tank	4
5	15150-YGK0110-00A0	One Way Valve	1
6	90740-Z010210-00A0	Clamp, Ø7.5, White Zinc	1
7	16804-YFA0210-00A0	Tube, Ø4.5 × Ø8.5 × 435	1
8	90683-Y020110-00A0	Bushing, White Zinc	4
9	16750-YA40211-00A0	Fuel Valve Assembly	1
10	90686-YFA0110-00M0	Tube, Ø4.5 × Ø8.5 × 340	1
11	37200-YJ30110-00A0	Fuel Gauge	1
12	90685-D090-0EA0	Clamp, Ø9×8×0.8, Black Zinc	1

CONTROL PANEL DIAGRAM

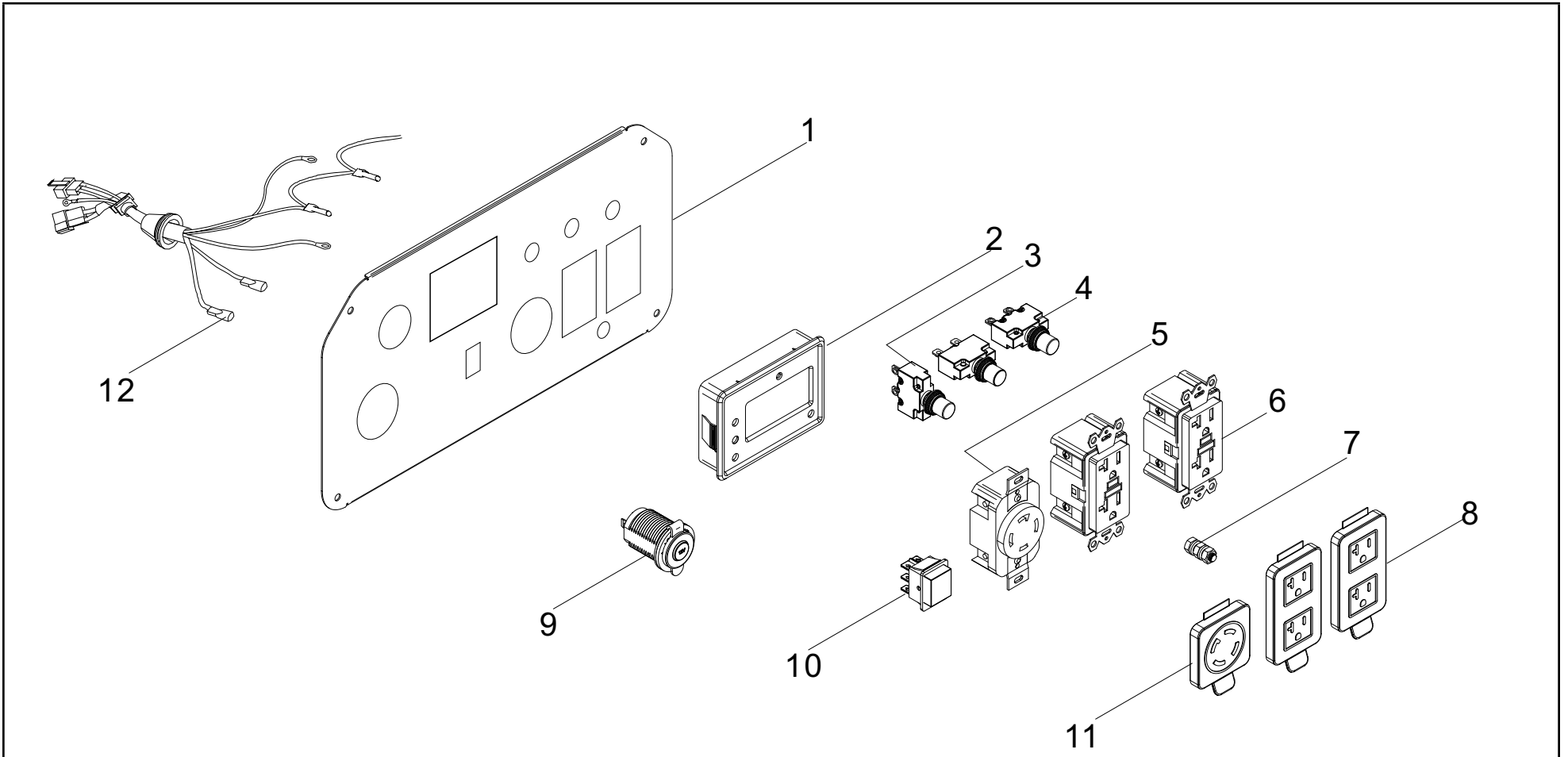


Figure G

CONTROL PANEL PARTS LIST

#	Part Number	Description	Qty.
1	35650-YFA0110-0000	Control Panel	1
2	35632-YFA0110-0000	Intelligauge	1
3	31234-YBE0110-0000	Circuit Breaker, Push Button, 125/250V_8A	1
4	31234-YBE0210-0000	Circuit Breaker, Push Button, 125/250V_20A	2
5	35614-Y090110-0000	L14-30R Receptacle, 30A, 125V/250V	1
6	35614-Y9X0110-0000	Receptacle, 20A, 125V/125V, 5-20R GFCI	2
7	35629-Y090110-0000	Ground Terminal Assembly	1
8	35654-YGK0910-0000	Receptacle Cover, L14-30R	2
9	35619-Y110110-0000	Automotive Receptacle, 12V DC	1
10	35160-YJ90110-00A0	Switch Assembly, Engine	1
11	35654-YGK0610-0000	Receptacle Cover, L14-30R	1
12	35660HYFA0110-0000	Cable, Control Panel	1

WIRING DIAGRAM

