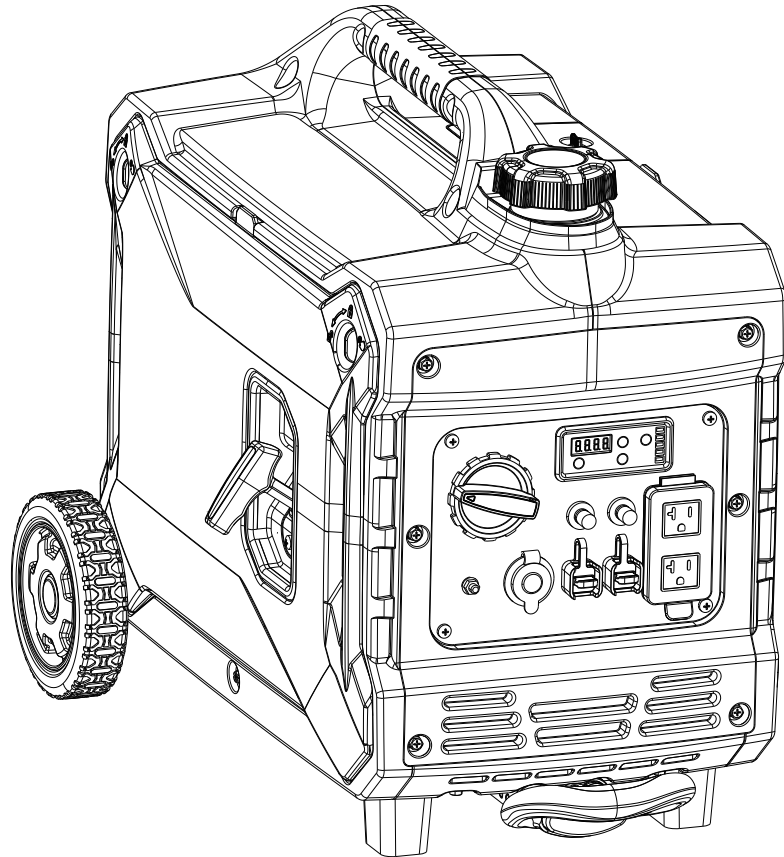




Champion Power Equipment, Inc., Santa Fe Springs, CA USA

MODEL #100571



PARTS INFORMATION

3500W PORTABLE INVERTER GENERATOR

SERIAL NUMBER RANGE: ALL



To order replacement parts please visit:
shop.championpowerequipment.com
or call **1-877-338-0999**.

TABLE OF CONTENTS

Inverter Generator Diagram	3
Inverter Generator Parts List	4
Engine Diagram	6
Engine Parts List	7
Cylinder Head Diagram	9
Cylinder Head Parts List	10
Carburetor Diagram	11
Carburetor Parts List	12
Wheel Kit Diagram	13
Wheel Kit Parts List	14
Fuel Tank Diagram	15
Fuel Tank Parts List	16
Control Panel Diagram	17
Control Panel Parts List	18
Wiring Diagram	19

INVERTER GENERATOR DIAGRAM

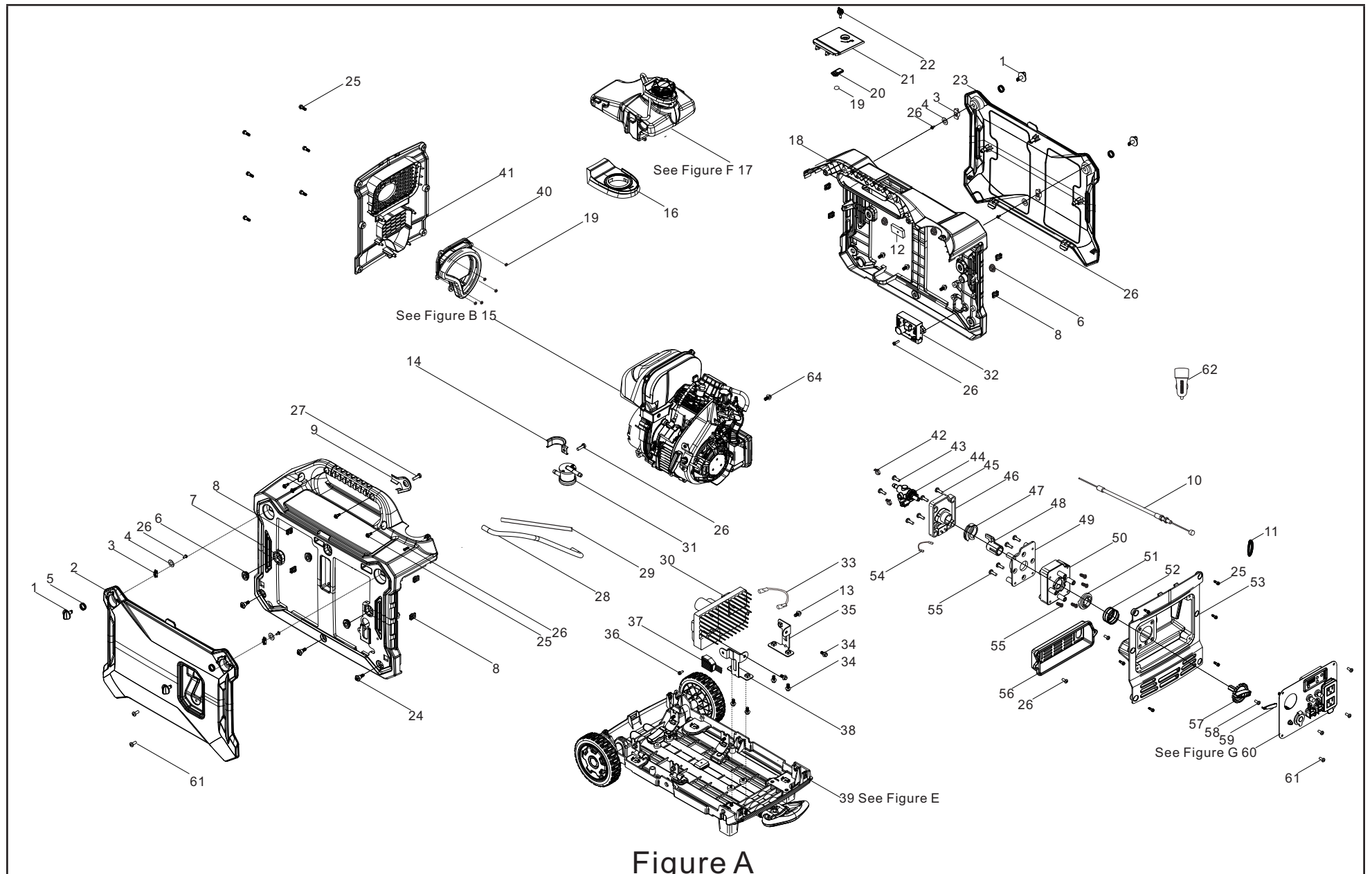


Figure A

INVERTER GENERATOR PARTS LIST

#	Part Number	Description	Qty.
1	35643-000005	Knob, Switch Dial, Engine	4
2	80092-000005	Cover Board, Left	1
3	24329-000003	Block	4
4	90408-000002	Flat washer	4
5	16527-000003	Spring, Stopper Adjusting	4
6	16601-000005	Vibration Mount, Fuel Tank	6
7	80091-000005	Shell, Left	1
8	17199-000003	Clip Nut, M5 White Zinc	8
9	30079-000003	Pressing Plate 1	1
10	16080-000007	Choke Handle Subassembly	1
11	30431-000015	Rubber Sleeve, Ø38 x Ø51 x 9	1
12	50033-000002	Cushion Rubber	1
13	90001-000016	Hexagon Flange Bolt, M6 x 10, White Zinc	2
14	30079-000001	Pressing Plate, White Zinc	1
15	96100-120VI000-01	Engine, R120-VI, See Figure B	1
16	16641-000001	Rubber Sleeve, Filling Fuel Hole	1
17	96003-Y16620-0028	Fuel Tank Assembly - See Figure F	1
18	80095-000006	Shell, Right	1
19	37073-000001	Clip, Spring	6
20	24329-000001	Block 2	1
21	80102-000002	Side Access Panel, Service	1
22	80105-000001	Knob, Side Access Panel, Service	1
23	80096-000005	Cover Board, Right	1
24	90208-000003	Hexagonal Step Bolt, M6 x 20, Black Zinc	6
25	90208-000005	Hexagonal Step Bolt, M5 x 16, Black Zinc	16
26	90124-000002	Self Tapping Screw, PT4.2x13	10
27	90104-000004	Screw, M5 x 25 White Zinc	1
28	16805-000016	Connection Tube, Air Cleaner	1
29	30431-000012	Rubber Sleeve, Ø11.5 x Ø13 x 60	1
30	30043-000014	Inverter, 120V, 60Hz	1

#	Part Number	Description	Qty.
31	15150-000002	One Way Valve	1
32	35720-000002	CO Alarm	1
33	30009-000008	Grounding Wire	1
34	90001-000018	Hexagon Flange Bolt, M6 x 12, White Zinc	6
35	30081-000009	Bracket, Inverter, Right, White Zinc	1
36	90001-000022	Hexagon Flange Bolt, M6 x 16, White Zinc	1
37	30060-000019	Rectifier	1
38	30081-000008	Bracket, Inverter, Left, White Zinc	1
39	96003-Y44110-0007	wheel kit - See Figure E	1
40	53202-000002	Rubber Sleeve, Connector	1
41	18002-000006	Louver, Muffler	1
42	90685-000013	Clamp, Ø8.5 x 0.6 x 8, Army Green Zinc	2
43	90255-000001	Screw & Washer Assembly, M4 x 10, White Zinc	2
44	16750-000010	Switch, Fuel	1
45	90107-000002	Self tapping screw, ST4.2x13, Black Zinc	4
46	50132-000001	Bracket, Switch	1
47	16144-000001	Stop block, Choke Pull	1
48	16144-000002	Stop block, Choke Pull	1
49	16265-000001	Support Plate	1
50	35021-000002	Control Enclosure	1
51	16265-000002	Support Plate	1
52	28224-000001	Compression Spring	1
53	35680-000006	Seat, Panel	1
54	35191-000002	Wiring Harness, Microswitch	1
55	90129-000002	Self Tapping Tcrew, ST4.2x16, White Zinc	8
56	19313-000001	Wind Deflector, Seat Panel	1
57	35643-000006	Knob, Switch Dial, Engine	1
58	90103-000006	Screw, M4 x 16, White Zinc	1
59	82007-000005	Decorative Cover, Knob	1
60	35610-000025	Control Panel Assembly - See Figure G	1

#	Part Number	Description	Qty.
61	90255-000003	Screw & Washer Assembly, M5 x 12, Black Zinc	6
62	35613-000001	USB Adaptor	1

ENGINE DIAGRAM

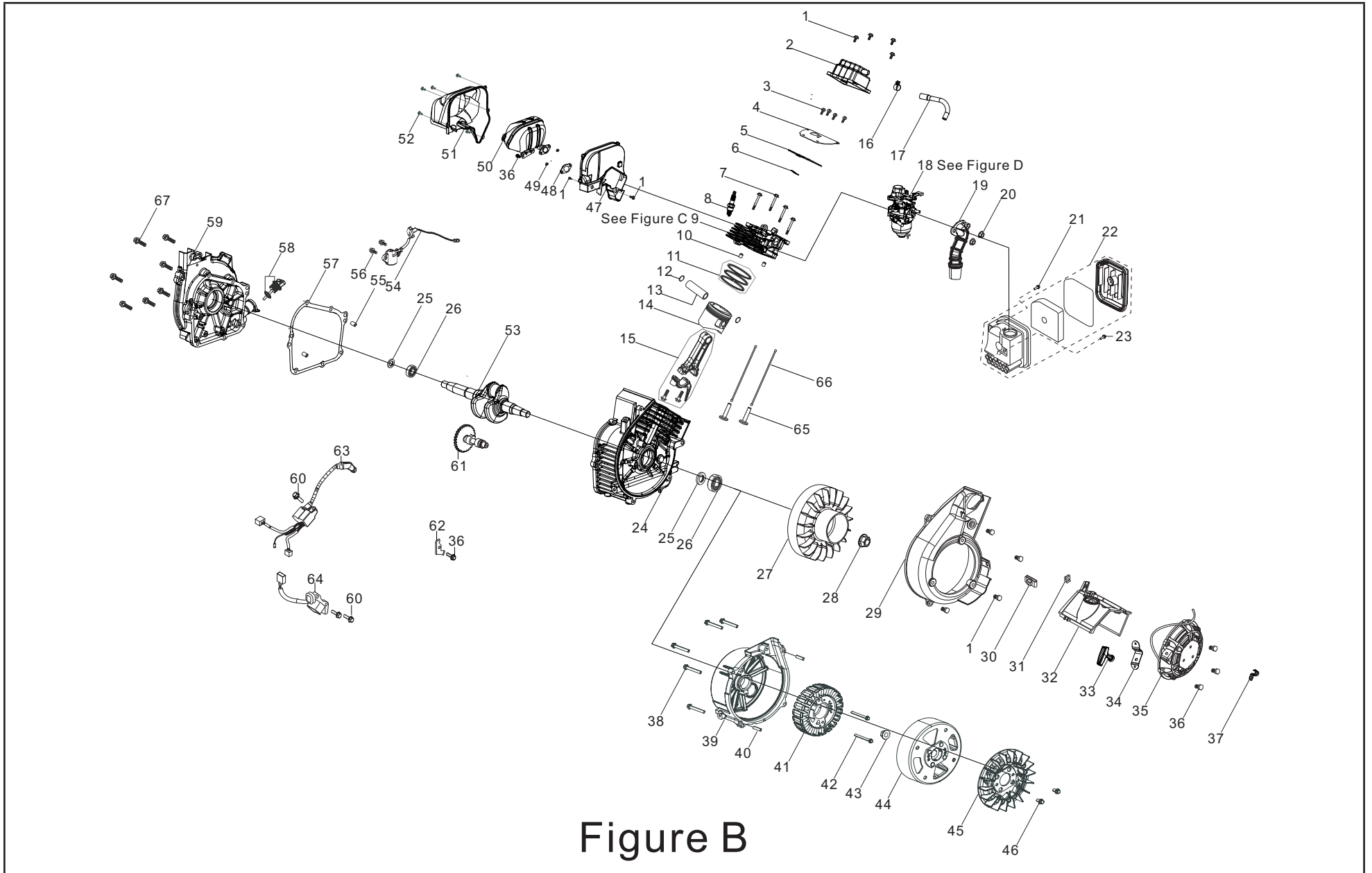


Figure B

ENGINE PARTS LIST

#	Part Number	Description	Qty.
1	90007-000011	Hexagon Flange Bolt, M6 x 16, White Zinc	10
2	12410-000008	Cylinder Head Cover Subassembly	1
3	90103-000001	Screw, M3x8, White Zinc	4
4	11332-000003	Gasket, Breath Groove Cover	1
5	12004-000012	Cylinder Head Cover Gasket	1
6	11320-000004	Piece Assembly, Breath	1
7	12003-000003	Cylinder Head Bolt, M8 x 65, White Zinc	4
8	30010-000005	Spark Plug, A5RTC	1
9	96003-Z12140-0016	Cylinder Head - See Figure C	1
10	90502-000006	Pin, Ø10 x 14	2
11	13200-000006	Piston Ring Assembly	1
12	13122-000003	Piston Pin Clip	2
13	13121-000006	Piston Pin	1
14	13111-000009	Piston	1
15	13010-000006	Connecting Rod	1
16	90685-000015	Clamp, Ø14	1
17	17004-000017	Tube, Breather	1
18	96003-Z16100-0032	Carburetor-See Figure D	1
19	17110-000003	Inlet Tube Assembly, Air Cleaner	1
20	90305-000007	Hexagon Flange Nut, M6, White Zinc	2
21	90001-000026	Hexagon Flange Bolt, M6 x 25, White Zinc	1
22	17100-000022	Air Cleaner	1
23	90007-000006	Hexagon Flange Bolt, M5 x 20	1
24	11310-000014	Crankcase Subassembly	1
25	90682-000015	Oil Seal, Ø20 x Ø35 x 5	1
26	90547-000004	Bearing, 6204	1
27	13510-000023	Flywheel Subassembly	1
28	13501-000003	Flywheel Nut, M12 x 1.25, White Zinc	1
29	28110-000020	Shroud	1
30	17199-000001	Clip Nut, M5	1

#	Part Number	Description	Qty.
31	90804-000003	Stop Block	1
32	12014-000002	Guide plate, Cylinder Head	1
33	28210-000004	Handle, Starter Rope	1
34	28004-000004	Guide Plate Assembly, Starter Rope	1
35	28200-000028	Recoil Starter Assembly	1
36	90007-000007	Hexagon Flange Bolt 2, M6 x 12, White Zinc	5
37	90684-000003	Clip, Fuel Tube, Ø10.6 x 100	1
38	90001-000030	Hexagon Flange Bolt, M6 x 30, White Zinc	5
39	30024-000005	Shroud, Motor	1
40	90502-000003	Pin, Ø8 x 14	2
41	30120-000010	Stator Component, Ø120 x 31	1
42	90001-000036	Hexagon Flange Bolt, M6 x 45, White Zinc	2
43	90306-000004	Hexagon Flange Nut, M12, White Zinc	1
44	30110-000009	Rotor Component	1
45	19352-000002	Cooling Fan, Engine	1
46	90001-000016	Hexagon Flange Bolt, M6 x 10, White Zinc	2
47	18013-000001	Muffler cover	1
48	18001-000006	Exhaust Outlet Gasket	1
49	90303-000002	Hexagon Nut, M6, White Zinc	2
50	18100-000010	Muffler Assembly	1
51	18109-000003	Deflector, Muffler Cover	1
52	90107-000008	Self tapping screw, ST4.8 x 16, White Zinc	5
53	13300-000036	Crankshaft Assembly	1
54	37060-000015	Engine oil Sensor, W/O Nut	1
55	90502-000002	Pin, Ø8 x 12	2
56	90007-000007	Hexagon Flange Bolt 2, M6 x 12, White Zinc	2
57	11001-000006	Crankcase Gasket	1
58	15010-000024	Oil Dipstick Subassembly	1
59	11411-000009	Crankcase Cover	1
60	90007-000013	Hexagon Flange Bolt, M6 x 20, White Zinc	3

#	Part Number	Description	Qty.
61	14200-000011	Camshaft Assembly	1
62	54066-000003	Wiring plate, Engine oil Sensor	1
63	30700-000005	Igniter	1
64	30400-000016	Ignition Coil	1
65	14081-000004	Valve Tappet	2
66	14071-000002	Valve Lifter	2
67	90007-000025	Hexagon Flange Bolt, M6 x 22, White Zinc	7

CYLINDER HEAD DIAGRAM

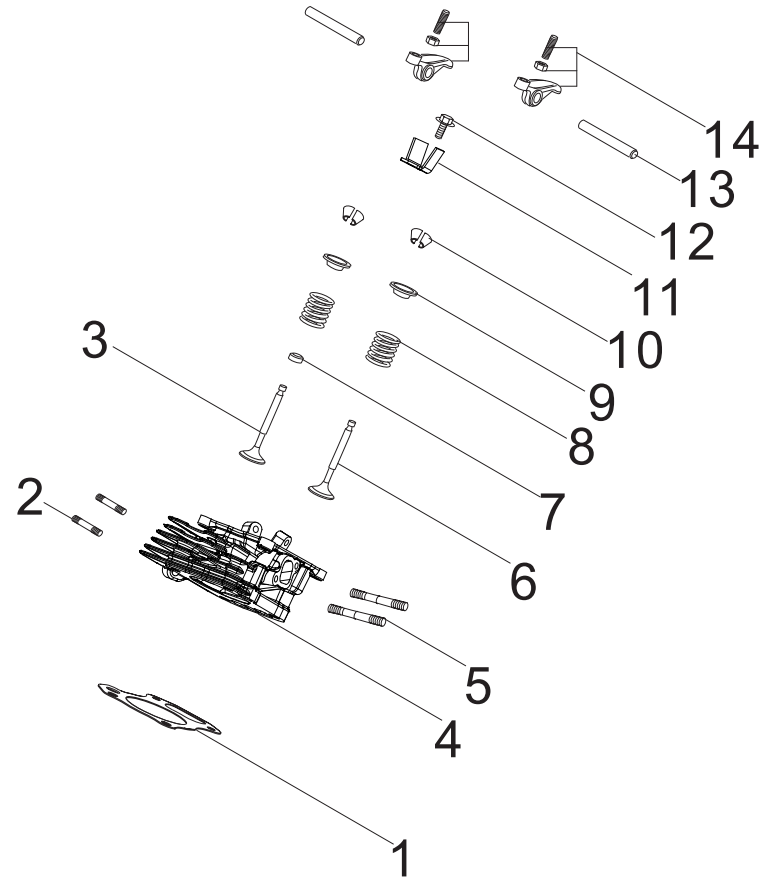


Figure C

CYLINDER HEAD PARTS LIST

#	Part Number	Description	Qty.
1	12131-000008	Cylinder Head Gasket	1
2	90204-000017	Stud, M6 x 25.5, White Zinc	2
3	12121-000008	Exhaust Valve	1
4	12140-000011	Cylinder Head	1
5	90204-000016	Stud, M6 x 88, White Zinc	2
6	12111-000007	Intake Valve	1
7	12101-000003	Seal Guide	1
8	12103-000003	Valve Spring	2
9	12112-000008	Valve Spring Retainer	2
10	12109-000004	Valve Lock Clamp	4
11	12419-000001	Pin Plate, Cylinder Head Cove	1
12	90001-000001	Hexagon Flange Bolt, M5 x 10, White Zinc	1
13	14318-000002	Valve Rocker Shaft Subassembly	2
14	14310-000005	Valve Rocker Subassembly	2

CARBURETOR DIAGRAM

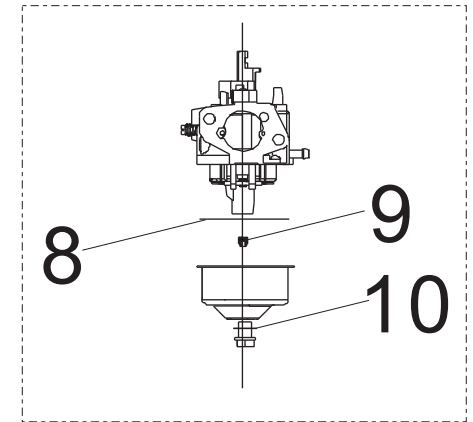
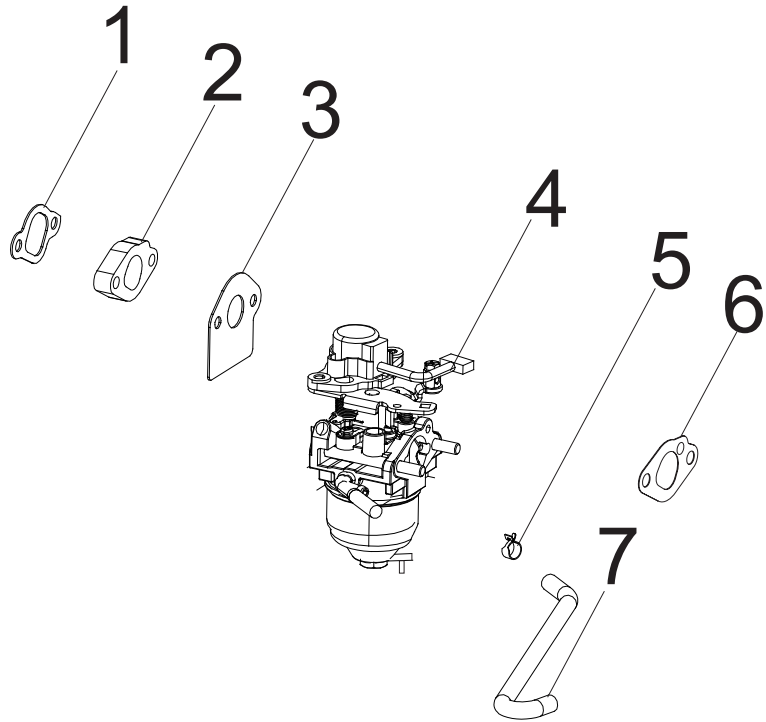


Figure D

CARBURETOR PARTS LIST

#	Part Number	Description	Qty.
1	16002-000003	Carburetor Insulator Gasket	1
2	16003-000010	Carburetor Insulator Plate	1
3	16001-000006	Carburetor Gasket	1
4	16100-000034	Carburetor Assembly	1
5	90685-000007	Clamp	1
6	17001-000011	Air Cleaner Gasket	1
7	90686-000001	Fuel Tube, Ø4.5 x Ø8.5 x 234.5	1
8	16112-000009	Seal Ring, Float	1
9	16161-000076	Main Jet (70#), Standard	1
	16161-000018	Main Jet (68#), Altitude 3000-6000 Feet	/
	16161-000075	Main Jet (65#), Altitude 6000-8000 Feet	/
10	90681-000012	Seal Ring	1

WHEEL KIT DIAGRAM

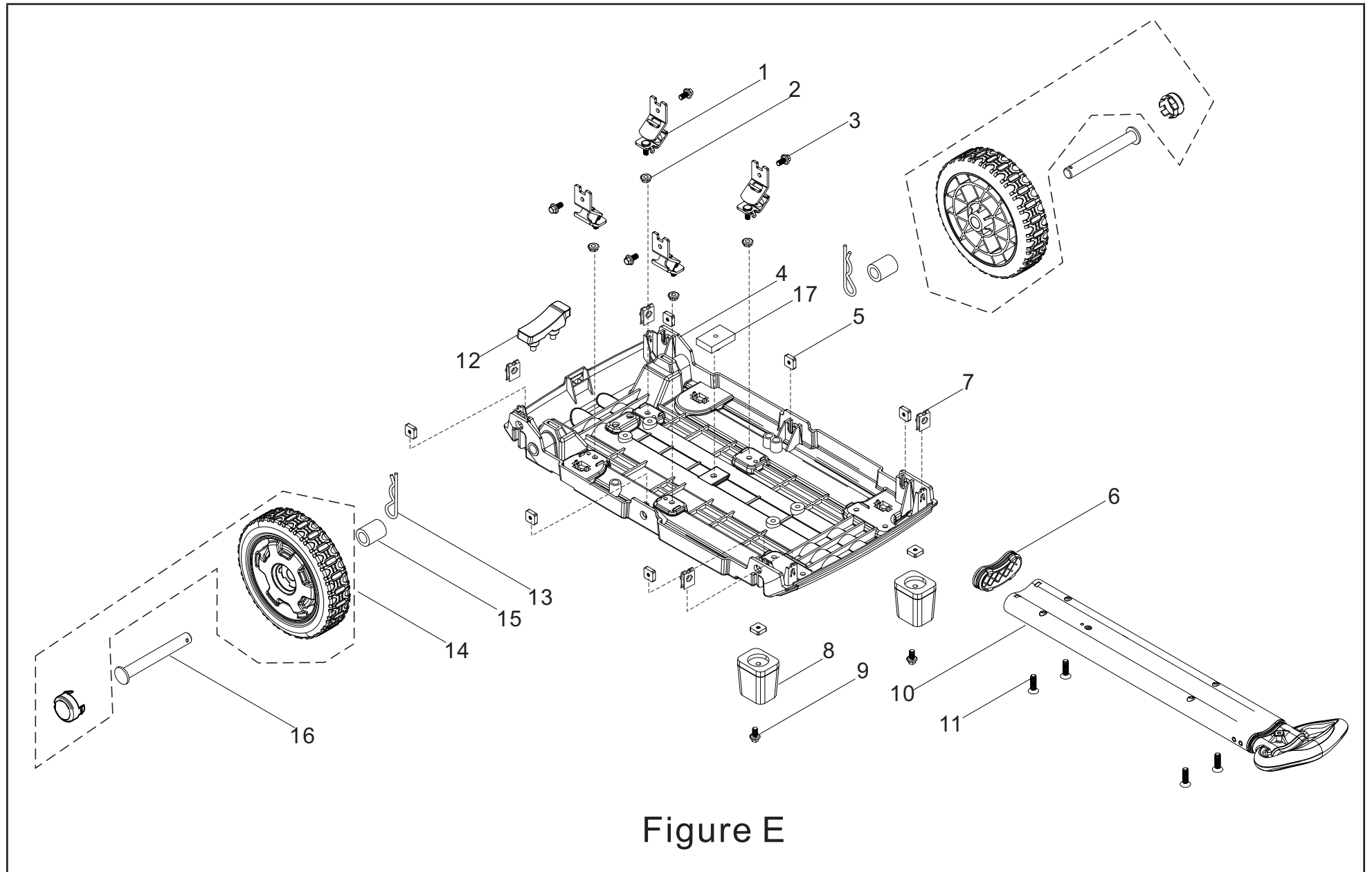
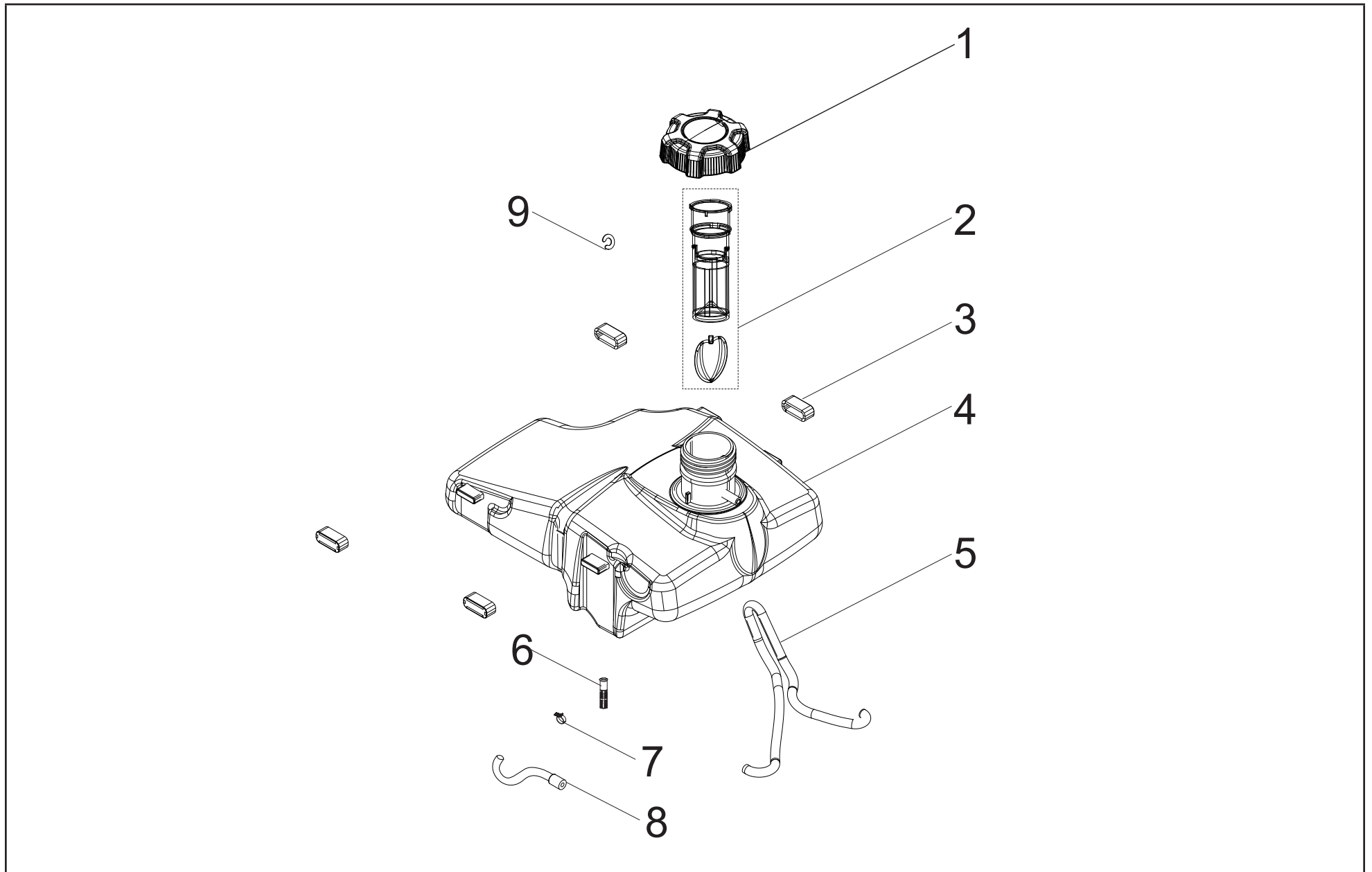


Figure E

WHEEL KIT PARTS LIST

#	Part Number	Description	Qty.
1	51005-000008	Vibration Mount 1, Frame	4
2	90305-000007	Hexagon Flange Nut, M6, White Zinc	4
3	90001-000018	Hexagon Flange Bolt, M6 x 12, White Zinc	4
4	51143-000004	Plate, Bottom	1
5	90326-000001	Nut, M6, White Zinc	8
6	90722-000009	Plug 1, End	1
7	17199-000003	Clip Nut, M5 White Zinc	4
8	51014-000008	Support Leg	2
9	90001-000034	Hexagon Flange Bolt, M6 x 40, White Zinc	2
10	54110-000018	Handle Assembly	1
11	90104-000003	Screw, M6 x 16, White Zinc	4
12	50035-000001	Bracket, Cushion Rubber	1
13	90583-000001	Pin Clamp	2
14	44110-000007	Front Wheel	2
15	44023-000001	Casing, Axle	2
16	44020-000007	Axle, Wheel	2
17	50033-000002	Cushion Rubber	1

FUEL TANK DIAGRAM



FUEL TANK PARTS LIST

#	Part Number	Description	Qty.
1	16730-000009	Fuel Tank Cap	1
2	16652-000007	Fuel Filter	1
3	90683-000004	Bushing	4
4	16620-000048	Fuel Tank	1
5	16804-000013	Connection Tube, Ø4.5 x Ø8.5 x 415	1
6	16514-000002	Filter Element, Fuel Tank	1
7	90685-000010	Clamp, Ø10.7 x 8 x 0.6	1
8	90686-000052	Fuel Tube, Ø4.5 x Ø8.5 x 92	1
9	90575-000003	Split Washer	1

CONTROL PANEL DIAGRAM

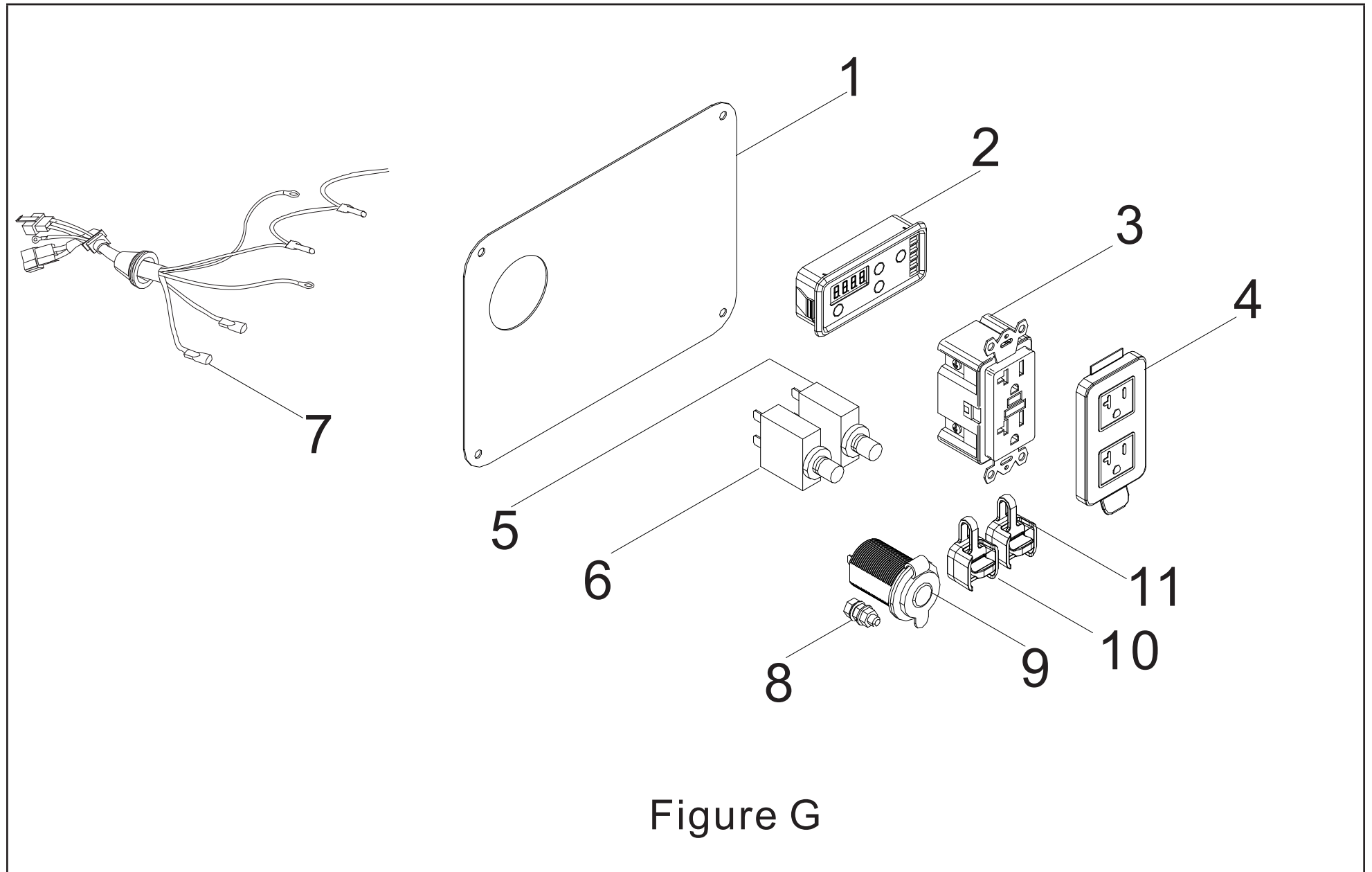


Figure G

CONTROL PANEL PARTS LIST

#	Part Number	Description	Qty.
1	35650-000004	Control Panel	1
2	35632-000003	Intelliguage, INT5CINV	1
3	35614-000017	5-20R Duplex Receptacle, 20A, 125V	1
4	35654-000013	Receptacle Cover	1
5	31234-000003	Circuit Breaker, Push Button	1
6	31234-000002	Circuit Breaker, Push Button	1
7	35660-000002	Wire harness, Control Panel	1
8	35629-000001	Grounding Terminal	1
9	35619-000001	Automotive Receptacle, 12V DC	1
10	35614-000019	Wireless Parallel, Receptacle, 50A, 1000V, Red Cover	1
11	35614-000020	Wireless Parallel, Receptacle, 50A, 1000V, Black Cover	1

WIRING DIAGRAM

R2500iSP-C(100571)

THIS CIRCUIT DIAGRAM IS ONLY FOR REFERENCE, IF ANY CHANGE, THERE WILL BE WITHOUT NOTICE.

