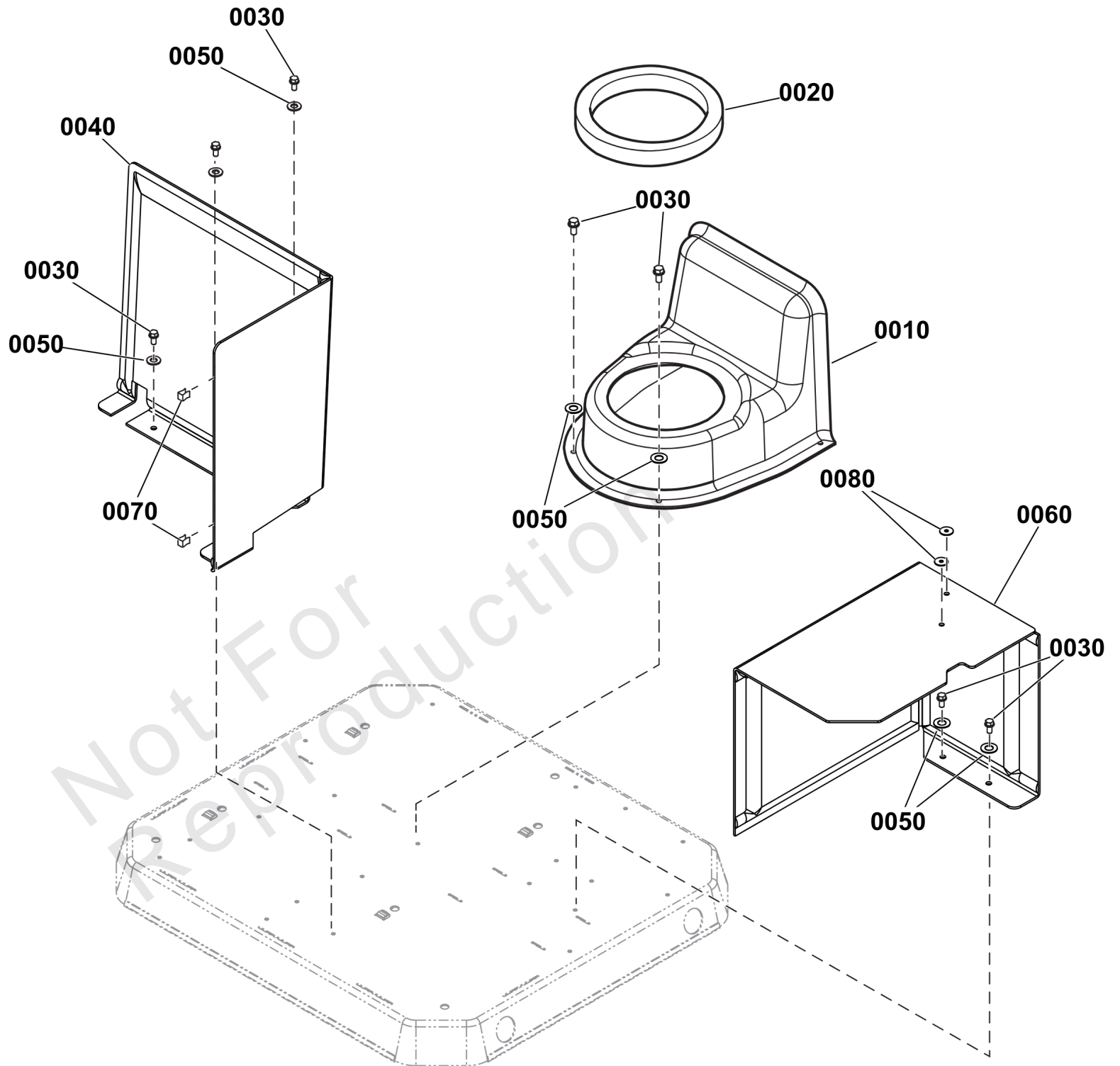




Parts Manual

Mfg. No: 040746-00
13,000 Watt Standby Generator

Model Components	Page
Air Handling Group.....	4
Control Panel Group.....	6
Decals Group.....	8
Enclosure Group.....	10
Manuals & Accessories Group.....	12
Power Group.....	14
6845-00 - Fuel Regulator Heater.....	18
Fuel Regulator Heater.....	19
6873-00 - Maintenance.....	21
Maintenance.....	22
6892-00 - Spark Arrestor.....	24
Spark Arrestor.....	25
6920-00 - Wind Brackets.....	27
Wind Brackets.....	28
6574-01 - Infohub.....	30
Infohub.....	31
6581-00 - Uninterruptible Power Supply - (UPS).....	33
Uninterruptible Power Supply - (UPS).....	34
6324-01 - Concrete Pad (Non-Hurricane).....	36
Concrete Pad (Non-Hurricane).....	37
6326-01 - Concrete Pad (Hurricane).....	39
Concrete Pad (Hurricane).....	40
6491-01 - Estop Switch.....	42
Estop Switch.....	43
6182-00 - Battery Warmer.....	45
Battery Warmer.....	46
6428-00 - USB Cable.....	48
USB Cable.....	49
6631-00 - Surge Protective Device (SPD).....	51
Surge Protective Device (SPD).....	52
6910-00 - Front Panel Assembly.....	54
Front Panel Assembly.....	55
6911-00 - Right Panel Assembly.....	57
Right Panel Assembly.....	58
6912-00 - Left Panel Assembly.....	60
Left Panel Assembly.....	61
6913-00 - Roof Assembly.....	63
Roof Assembly.....	64
6915-00 - Control Door Assembly.....	66
Control Door Assembly.....	67
6922-00 - Oil Warmer.....	69
Oil Warmer.....	70
6921-01 - Battery Warmer.....	72
Battery Warmer.....	73
Torque Specification Chart.....	75



Air Handling Group

REF NO	PART NO	QTY	DESCRIPTION
0010	706925	1	DUCT
0020	706927	1	SEAL
0030	704130	9	SCREW, HEX, 1/4-20X.5
0040	-----	1	PANEL, Duct, Exhaust
0050	703350	9	WASHER
0060	-----	1	PANEL, Box, Battery
0070	314661GS	2	CLIP
0080	-----	2	WASHER, Flat, #10, Fender -(*See footnote)

Not For
Reproduction

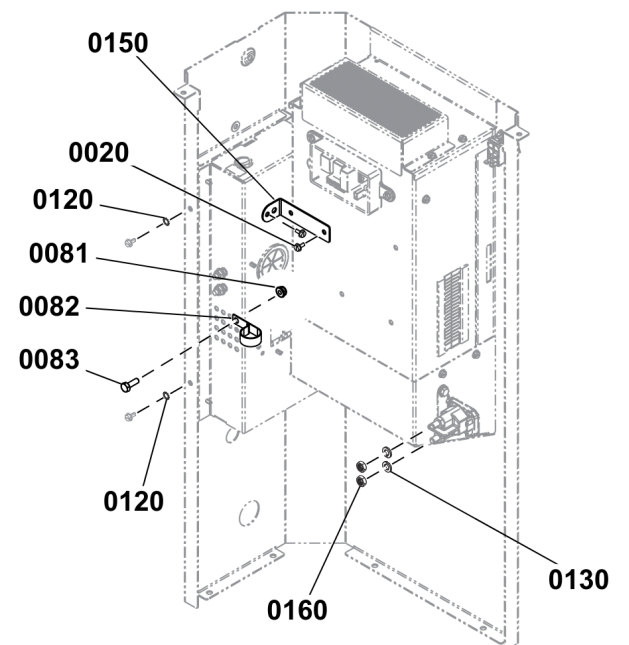
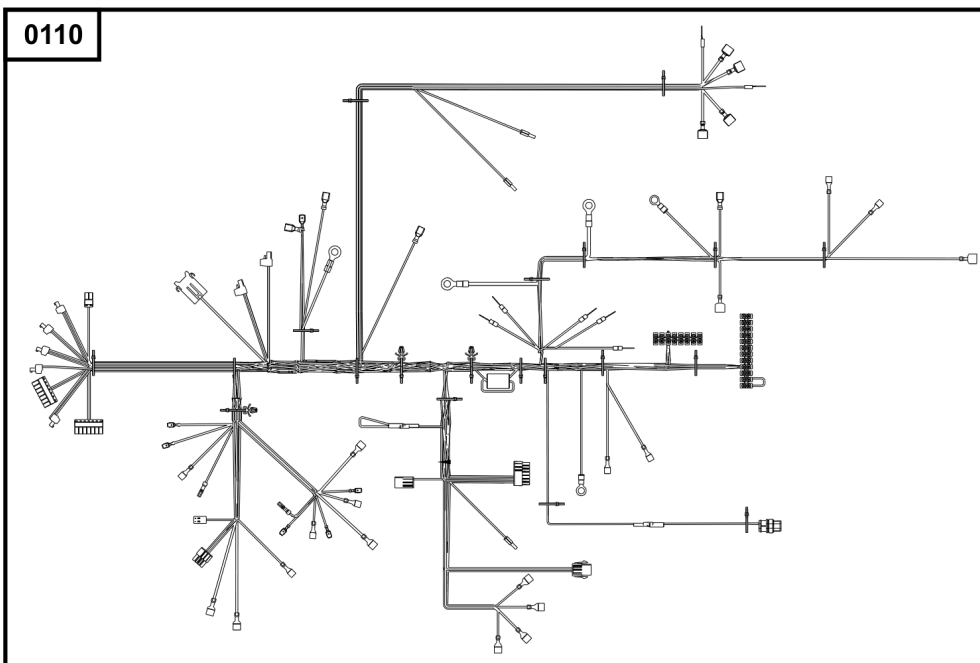
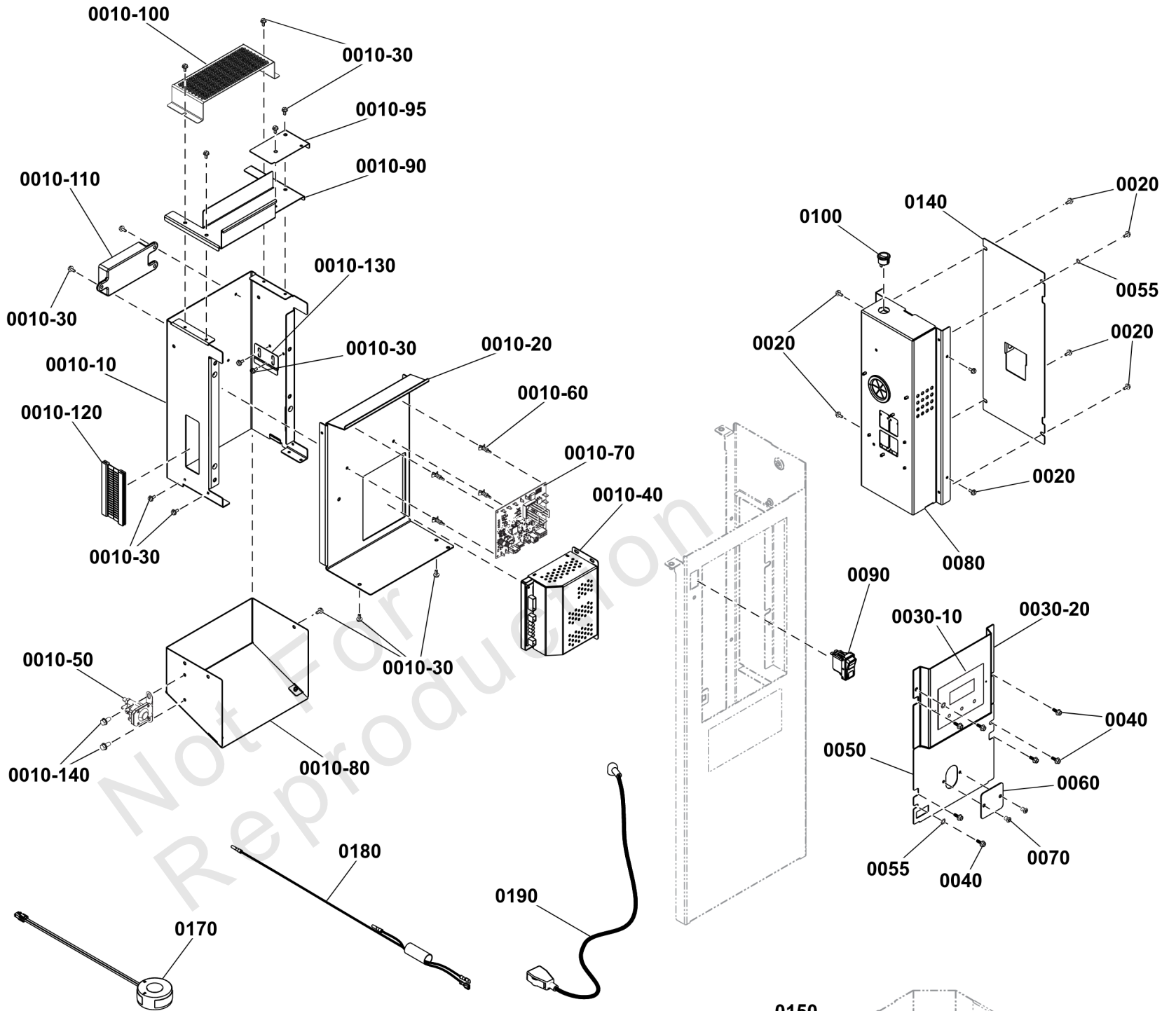
Footnotes:

Note:* Items without part numbers are common fasteners and are available at your local hardware store.

Control Panel Group

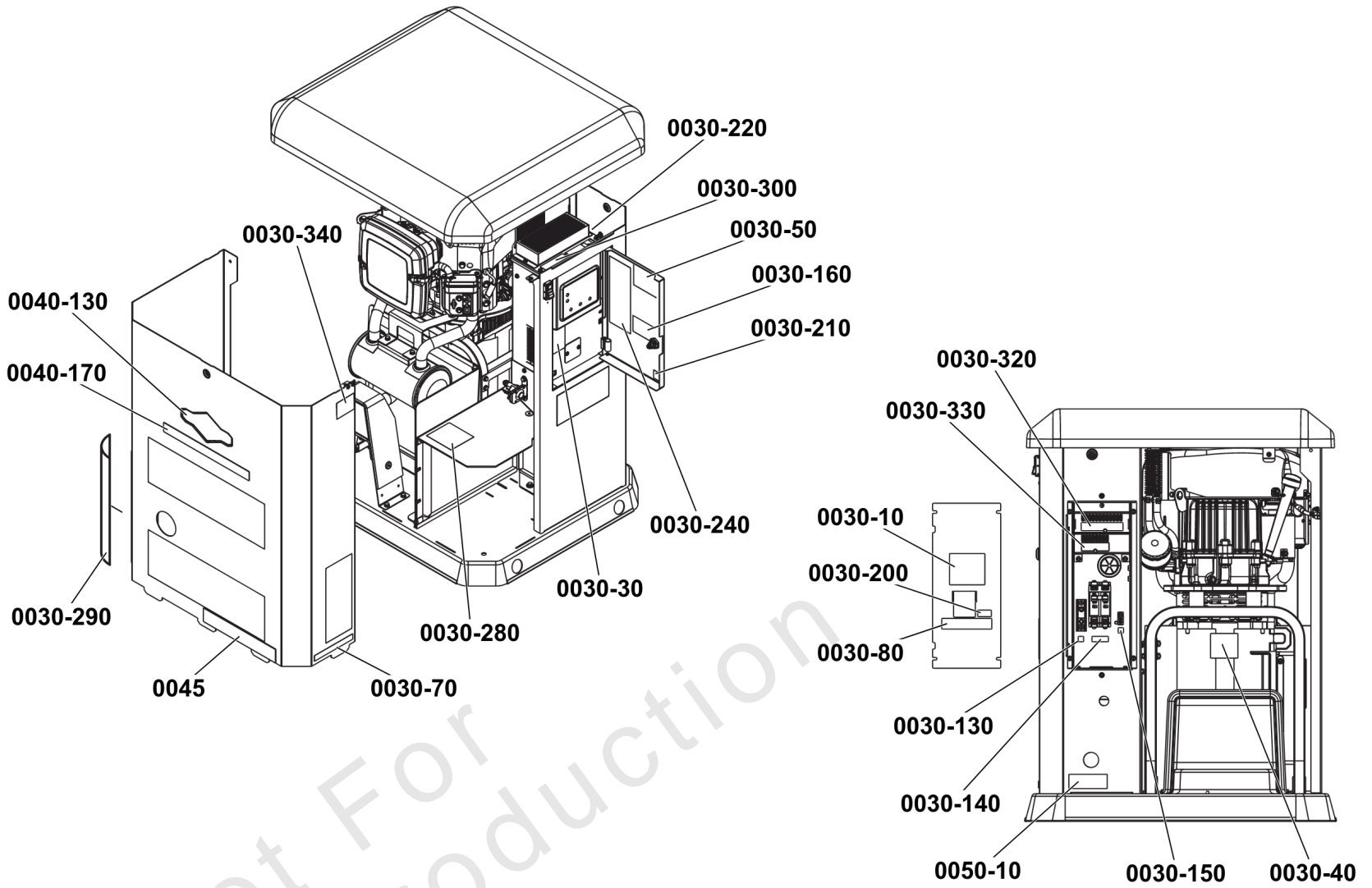
Note: Unless noted otherwise, use the standard torque specifications

Mfg. No: 040746-00



Control Panel Group

REF NO	PART NO	QTY	DESCRIPTION
0010-10	-----	1	BOX, Control
0010-20	-----	1	DEFLECTOR
0010-30	194561GS	16	HHS, Trilobular, #10-32 x 3/8
0010-40	772376	1	CHARGER, Battery
0010-50	1755381YP	1	SOLENOID, L-BRACKET
0010-60	772379	4	SUPPORT, Circuit Board
0010-70	84010843	1	ASSEMBLY, AVR
0010-80	-----	1	BOX, Air Duct, Controller
0010-90	-----	1	PANEL
0010-95	-----	1	PLATE
0010-100	-----	1	DUCT, Control Box
0010-110	84010844	1	ASSEMBLY, Relay
0010-120	-----	2	GROMMET
0010-130	-----	1	BRACKET
0010-140	704130	2	SCREW, HEX, 1/4-20X.5
0020	194561GS	10	HHS, Trilobular, #10-32 x 3/8
0030-10	84007051	1	CONTROLLER
0030-20	-----	1	COVER
0040	-----	7	SCREW
0050	-----	1	COVER
0055	23762GS	3	WASHER
0060	-----	1	COVER
0070	-----	2	RIVET, Blind, 1/8 X 5/16
0080	-----	1	ASSEMBLY, Field Wire Box
0081	5025391SM	1	NUT, Hex Nylock, Flange, 1/4-20
0082	192669GS	1	Clamp, Hose, "J"
0083	5025010X6SM	1	BOLT, 1/4-20 X 3/4" G
0090	84010845	1	SWITCH, Rocker
0100	315551GS	1	SWITCH, Rocker
0110	84010846	1	HARNESS
0120	26850GS	2	WASHER, Ext. M6 - 1/4" Shakeproof
0130	22129GS	2	WASHER, Lock
0140	84010848	1	COVER
0150	84010847	1	BRACKET
0160	703331	2	NUT, 5/16-24
0170	772339	2	TRANSFORMER, Current, 150:5
0180	84004583	1	HARNESS
0190	84010849	1	HARNESS, Battery



BRIGGS & STRATTON POWERPROTECT PP13

NFPA 37.4.1.4(2)
 THIS GENERATOR HAS BEEN TESTED IN CONJUNCTION WITH AN INDEPENDENT FIRE TESTING LABORATORY FOR 18" (45.70 CM) MINIMUM CLEARANCE FROM COMBUSTIBLE CONSTRUCTION.

0040-130

0040-170

0045

0050-10

0030

WARNING AVERTISSEMENT ADVERTENCIA

Risk of electric shock, do not remove cover. No user serviceable parts inside. Refer servicing to qualified service personnel.

Risque de décharge électrique. Ne pas retirer le couvercle. Aucune pièce à entretenir par l'utilisateur à l'intérieur. Confier l'entretien à du personnel de service qualifié.

Riesgo de descarga eléctrica, no quite la cubierta. No hay partes que puedan ser reparadas por el usuario en el interior. Haga que personal calificado realice el servicio.

WARNING AVERTISSEMENT ADVERTENCIA

To reduce the risk of fire, replace only with same type and rating of fuse.

Pour réduire le risque d'incendie, remplacez avec un fusible de même type et classification.

15A TYPE ATO

Para reducir el riesgo de incendio, reemplaza solamente con un fusible del mismo tipo y capacidad.

15AMP TIPO ATO

WARNING AVERTISSEMENT ADVERTENCIA

Hot surface could result in serious injury. Do not touch.

La surface chaude pourrait entraîner des blessures graves. Ne touchez pas.

La superficie caliente podría causar lesiones serias. No tocar.

WARNING AVERTISSEMENT ADVERTENCIA

Failure to read & follow Operator and Installation manuals could result in death or serious injury.

Ne pas lire et respecter les manuels de l'utilisateur et d'installation pourrait entraîner des blessures graves ou la mort.

No leer y seguir las indicaciones de los manuales de operación e instalación podría causar la muerte o lesiones serias.

RAINPROOF ENCLOSURE

ÉTANCHE À LA PLUIE

ENCEINTE

GABINETE A PRUEBA DE LLUVIA

0030-70

GENERATOR SERVICE DISCONNECT

GÉNÉRATRICE ENTRETIEN DEBRANCHER

DESCONECTOR DEL GENERADOR

0030-10

15A TYPE ATO

0030-40

15A TYPE ATO

0030-50

Failure to read & follow Operator and Installation manuals could result in death or serious injury.

Ne pas lire et respecter les manuels de l'utilisateur et d'installation pourrait entraîner des blessures graves ou la mort.

No leer y seguir las indicaciones de los manuales de operación e instalación podría causar la muerte o lesiones serias.

0030-80

NOTICE AVIS

FUEL REQUIREMENTS

Estimated generator fuel supply requirements for both natural gas and LP vapor.

EXIGENCES EN MATIÈRE DE CARBURANT

Approximativement approvisionnement en carburant pour le gaz naturel et le propane gazeux.

REQUERIMIENTOS DE COMBUSTIBLE

Requerimientos estimados de combustible para el generador para gas natural y gas LP.

Natural Gas Gas naturel	LP Vapor Propane gazeux Gas LP	BTU/hr		m ³ /hr	
		BTU/hr	m ³ /hr	BTU/hr	m ³ /hr
15kW	24,000	8.0	248,000	3.0	8,500
17kW	27,000	9.1	283,000	3.4	9,700
19kW	29,000	9.7	310,000	3.8	10,800
20kW	30,000	9.7	318,000	3.8	11,000
22kW	33,000	9.8	353,000	4.3	12,300
26kW	38,000	9.7	427,000	4.9	14,100

Fuel inlet pressure requirements at full load are:
 Les exigences de pression d'admission du carburant à plein rendement sont :
 Los requerimientos de presión de entrada de combustible a carga completa son de:

FUEL TYPE	Inches of WC	mm of WC
Natural Gas Gas naturel	3-5.7	69-178
LP Vapor Propane gazeux Gas LP	11-14	279-356

0030-130

1

N

L1

L2

0030-140

WARNING AVERTISSEMENT ADVERTENCIA

Cancer and Reproductive Harm

www.P65Warnings.ca.gov

Cancer et Troubles de l'Appareil Reproducteur

www.P65Warnings.ca.gov

Cáncer y Problemas Reproductivos

www.P65Warnings.ca.gov

0030-160

2

3

4

5

6

7

8

9

10

11

12

13

14

15

16

17

18

19

20

21

22

23

24

25

26

27

28

29

30

31

32

33

34

35

36

37

38

39

40

41

42

43

44

45

46

47

48

49

50

0030-200

This device complies with part 15 of the FCC Rules. Operation is subject to the following two conditions: (1) This device may not cause harmful interference, and (2) this device must accept any interference received, including interference that may cause undesired operation.

CAN ICES-002(B) / NMB-002(B) 80101814

0030-210

MFG. ID:

AUB

0030-220

LP

NG

0030-240

GENERATOR EMERGENCY SHUTDOWN SWITCH

INTERRUPTEUR DE MISE HORS CIRCUIT D'URGENCE DE LA GÉNÉRATRICE

INTERRUPTOR DE APAGADO DE EMERGENCIA DEL GENERADOR

0030-280

WARNING AVERTISSEMENT ADVERTENCIA

Explosion of battery gases could result in death or serious injury. Keep all sources of ignition away from battery. Battery contains acid which could result in blindness or severe burns. Avoid contact with acid.

L'explosion des gaz de la batterie peut provoquer des blessures graves, voire la mort. Tenez toutes les sources d'allumage éloignées de la batterie. La batterie contient de l'acide qui pourrait causer la cécité ou de sévères brûlures. Évitez le contact avec l'acide.

La explosión de la batería podría causar la muerte o lesiones serias. Mantenga todas las fuentes de ignición lejos de la batería. La batería contiene ácido que podría causar ceguera o quemaduras serias. Evite el contacto con el ácido.

0030-300

WARNING AVERTISSEMENT ADVERTENCIA

Generator starts automatically which could result in serious injury. Place switch in off and disconnect battery prior to servicing.

La génératrice démarre automatiquement, ce qui pourrait entraîner des blessures graves. Placez le commutateur en position arrêt et débranchez la batterie avant d'effectuer un entretien.

El generador arranca automáticamente, lo que podría causar lesiones serias. Coloque el interruptor en apagado y desconecte la batería antes de realizar algún servicio.

0030-320

2

3

4

5

6

7

8

9

10

11

12

13

14

15

16

17

18

19

20

21

22

23

24

25

26

27

28

29

30

31

32

33

34

35

36

37

38

39

40

41

42

43

44

45

46

47

48

49

50

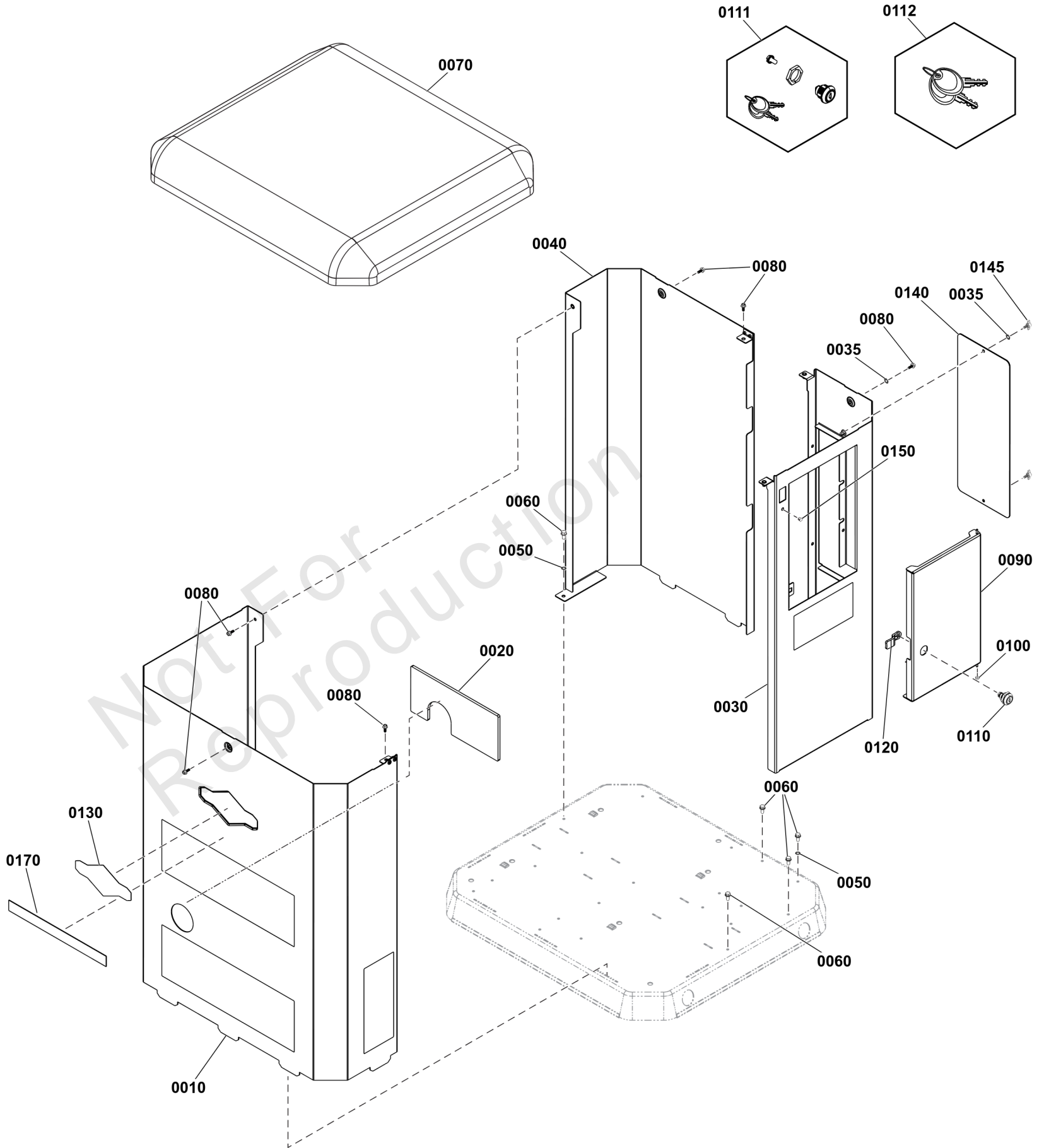
Decals Group

REF NO	PART NO	QTY	DESCRIPTION
0030	84010842	1	DECAL, Warning, Sheet -(Includes items 0030-10 thru 0030-340)
0030-10	-----	1	DECAL-WARNING, SHOCK
0030-30	-----	1	DECAL-WARNING, FUSE
0030-40	-----	2	DECAL-WARNING, HOT SURFACE
0030-50	-----	1	DECAL, Warning, Manual
0030-70	-----	1	DECAL-RAINPROOF ENCLOSURE
0030-80	-----	2	DECAL-DISCONNECT
0030-120	-----	1	DECAL, External Power Switch
0030-130	-----	1	DECAL, Neutral
0030-140	-----	1	DECAL, L1/L2
0030-150	-----	1	DECAL, Ground
0030-160	-----	1	DECAL, Warning
0030-200	-----	1	DECAL, FCC, ICES-3
0030-210	-----	1	DECAL, MOR, AUBURN
0030-220	-----	1	DECAL, Fuel Selection
0030-240	-----	1	DECAL, Notice Fuel Requirements
0030-280	-----	1	DECAL, Warning, Battery
0030-290	-----	1	DECAL, Warning, Exhaust
0030-300	-----	1	DECAL, Warning, Auto Start
0030-320	-----	1	DECAL, Terminal Strip
0030-330	-----	1	DECAL, Terminal Strip
0030-340	-----	1	DECAL, Emergency Shutdown
0040-130	-----	1	DECAL
0040-170	-----	1	DECAL
0045	-----	1	DECAL
0050-10	-----	1	DECAL, Clearance From Combustible Construction

Enclosure Group

Note: Unless noted otherwise, use the standard torque specifications

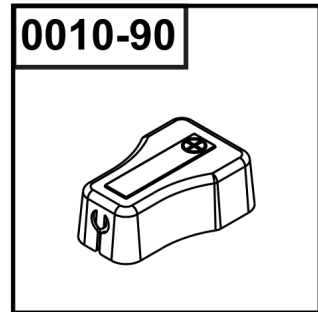
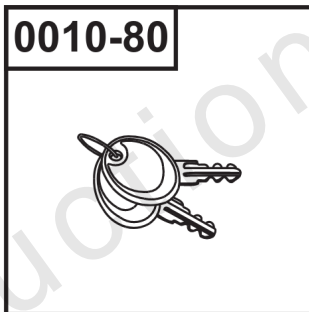
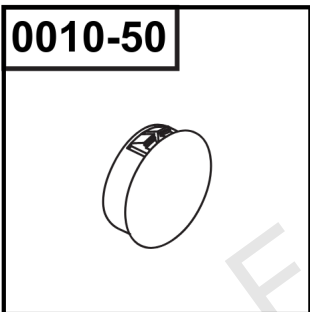
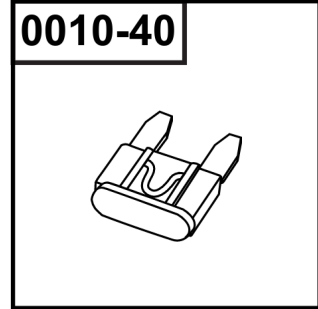
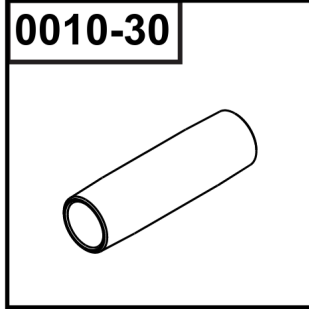
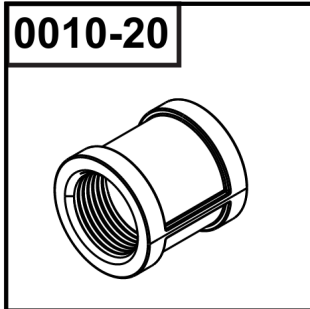
Mfg. No: 040746-00



Enclosure Group

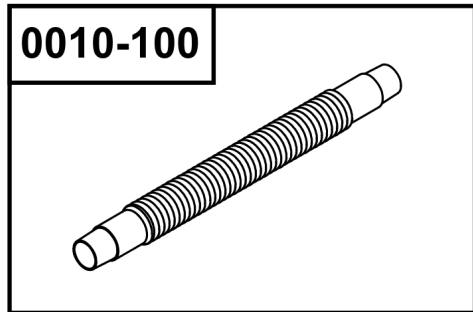
REF NO	PART NO	QTY	DESCRIPTION
0010	6910	1	ASSEMBLY, Panel, Front -(Reference 6910-00 Front Panel Assembly)
0020	-----	1	PANEL, Muffler Guard
0030	6911	1	ASSEMBLY, Panel, Right -(Reference 6911-00 Right Panel Assembly)
0035	23762GS	2	WASHER
0040	6912	1	ASSEMBLY, Panel, Left -(Reference 6912-00 Left Panel Assembly)
0050	26850GS	2	WASHER, Ext. M6 - 1/4" Shakeproof
0060	704130	5	SCREW, HEX, 1/4-20X.5
0070	6913	1	ASSEMBLY, Roof -(Reference 6913-00 Roof Assembly)
0080	-----	6	SCREW
0090	6915	1	ASSEMBLY, Control Panel Door -(Reference 6915-00 Control Panel Door Assembly)
0100	703929	1	WASHER-FLAT, NYLON
0110	314619GS	1	LATCH
0111	313745GS	1	LATCH
0112	314290GS	1	KEY, Latch
0120	196001GS	1	LATCH-ARM
0130	-----	1	DECAL
0140	-----	1	DOOR, Access
0145	-----	2	SCREW, Thumb
0150	316193GS	1	PLUG, Roof
0170	-----	1	DECAL

0010



0010-70

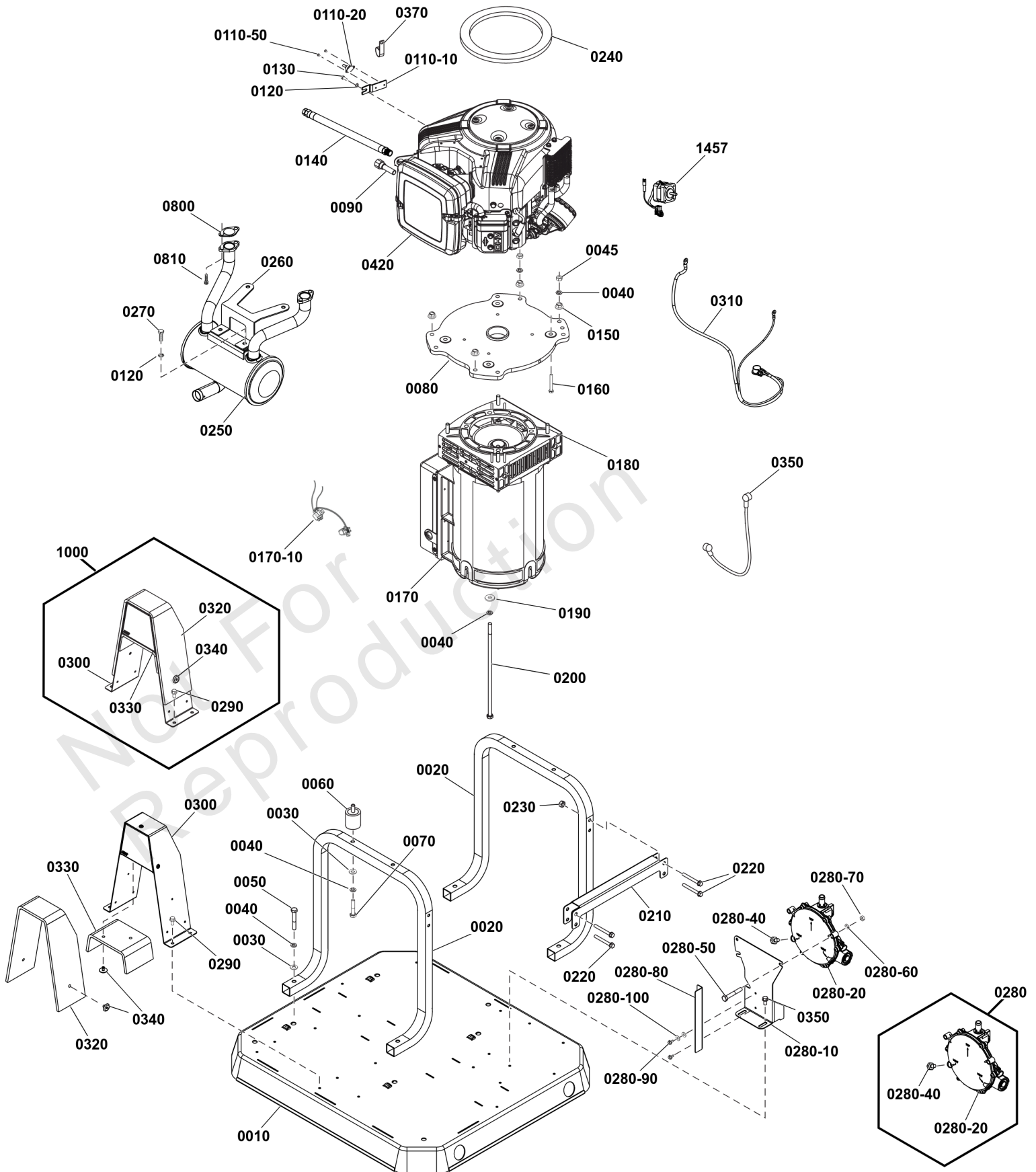
<p>● ATTENTION This building is equipped with a Standby Generator.</p> <p><small>NFPA 702.8</small></p> <p>FUEL TYPE:</p> <ul style="list-style-type: none"> ● Natural Gas ● LP Gas <p>LOCATION:</p> <ul style="list-style-type: none"> ● NORTH ● EAST ● SOUTH ● WEST <p>ATENCIÓN Este edificio está equipado con un generador de respaldo.</p> <p><small>NFPA 702.8</small></p> <p>TIPO DE COMBUSTIBLE:</p> <ul style="list-style-type: none"> ● Gas natural ● Gas LP <p>UBICACIÓN:</p> <ul style="list-style-type: none"> ● NORTE ● ESTE ● SUR ● OESTE 	<p>DO NOT REMOVE THIS TAG</p> <p>NE RETIREZ PAS CETTE ÉTIQUETTE</p> <p>DO NOT REMOVE THIS TAG</p>	<p>● ATTENTION Cet édifice est équipé d'une génératrice de secours.</p> <p><small>NFPA 702.8</small></p> <p>TYPE DE CARBURANT :</p> <ul style="list-style-type: none"> ● Gaz naturel ● GPL <p>EMPLACEMENT :</p> <ul style="list-style-type: none"> EST ● NORD ● OUEST ● SUD ● <p>ATTENTION This building is equipped with a Standby Generator.</p> <p><small>NFPA 702.8</small></p> <p>FUEL TYPE:</p> <ul style="list-style-type: none"> ● Natural Gas ● LP Gas <p>LOCATION:</p> <ul style="list-style-type: none"> EAST ● NORTH ● WEST ● SOUTH ●
--	---	---



Manuals & Accessories Group

REF NO	PART NO	QTY	DESCRIPTION
0010	84010850	1	KIT, Accessory -(Incl. Ref. Nos. 0010-10, 0010-20, 0010-40, 0010-60, 0010-80, 0010-90)
0010-20	-----	1	COUPLING, 3/4" NPT
0010-30	706526	1	FITTING
0010-40	198573GS	2	FUSE, Auto Type, 15 Amp
0010-50	198460GS	4	PLUG, Dome
0010-70	706988	1	HANG TAG-ATTN. STANDBY EQUIPMENT
0010-80	314290GS	1	KEY, Latch
0010-90	84010851	1	COVER, Battery Terminal
0010-100	202295GS	1	HOSE-FLEX NG/LPG

Not For Reproduction

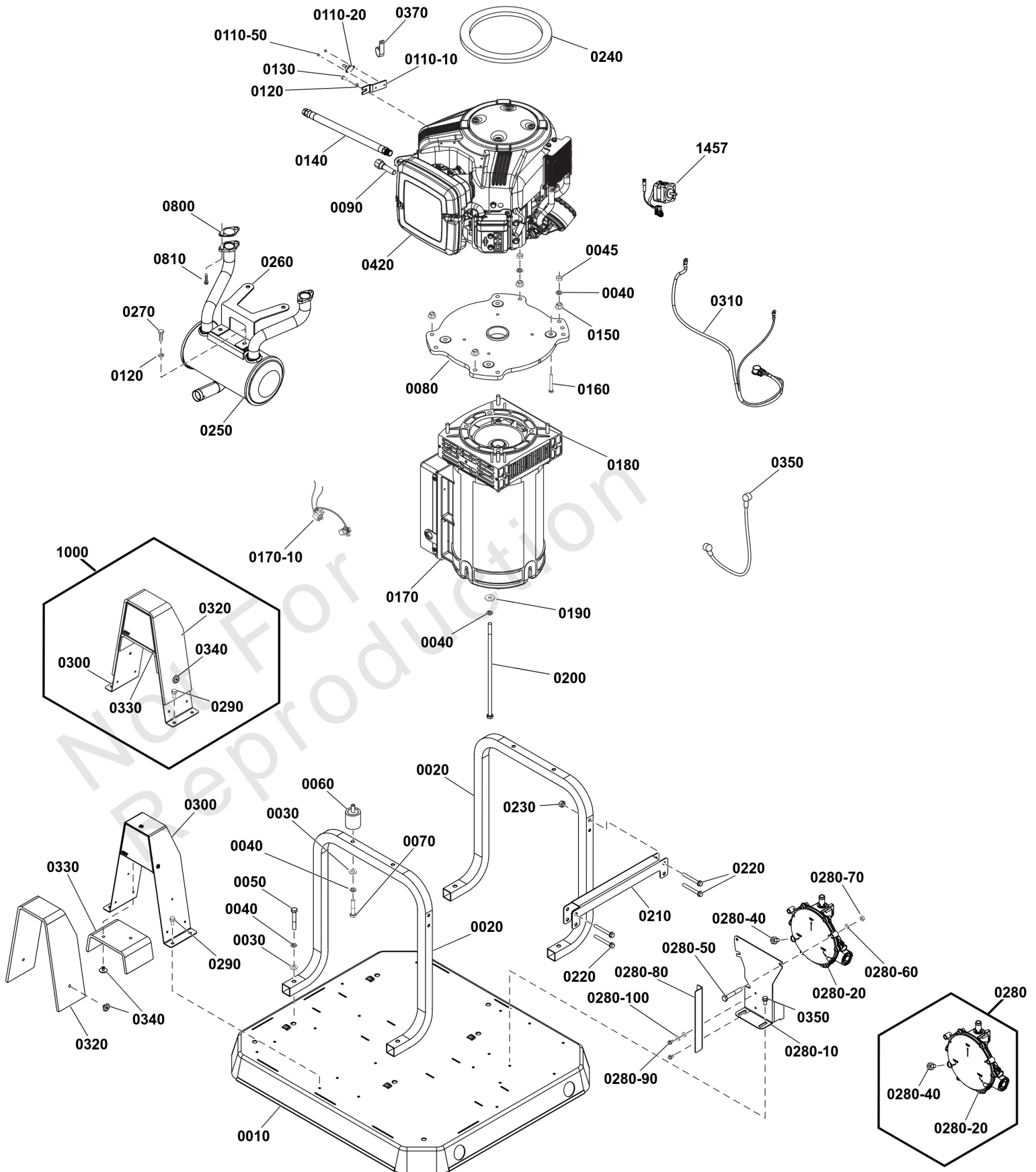


Power Group

REF NO	PART NO	QTY	DESCRIPTION
0010	-----	1	BASE
0020	BF319470GS	2	CRADLE
0030	703350	8	WASHER
0040	22129GS	15	WASHER, Lock
0045	45771GS	2	NUT, M8 - 1.25
0050	5025011X16YP	4	BOLT
0060	189108GS	4	MOUNT, Vibration
0070	57821GS	4	CAPSCREW, Hex Head, M8-1.25 x 40
0080	319353GS	1	ADAPTER-ENGINE
0090	-----	1	THERMOWELL, Oil Heater
0110-10	195124GS	1	PLATE, Temp Switch
0110-20	204426GS	1	SWITCH, Temperature
0110-50	708730	2	SCREW
0120	22097GS	3	WASHER
0130	43116GS	1	HHCS, M6 - 1.0 x 12
0140	5048681SM	1	HOSE, OIL DRAIN
0150	67989GS	4	NUT, M8 Flange Serrated
0160	704010	4	SCREW, HEX, 3/8-16
0170	772334	1	ALTERNATOR
0170-10	84011102	1	BRUSH ASSEMBLY
0180	22125GS	4	SCREW
0190	96796GS	1	WASHER, Flat M8.4 x 22.2 x 3
0200	706941	1	BOLT
0210	319471GS	1	BRACKET
0220	94220	4	SCREW
0230	703061	4	NUT, HEX KEPS, 1/4-20
0240	316881GS	1	SEAL
0250	84010841	1	ASSEMBLY, Muffler
0260	704682	1	BRACKET, Muffler
0270	47411GS	2	SCREW
0280	84006385	1	FUEL REGULATOR ASSEMBLY -(Includes Ref. Nos. 0280-20, 0280-40)
0280-10	706379	1	BRACKET
0280-20	-----	1	FUEL REGULATOR ASSEMBLY
0280-40	318002GS	1	FITTING
0280-50	38750GS	2	HHCS, M6 - 1.0 x 30
0280-60	22097GS	2	WASHER
0280-70	49813GS	2	NUT, Hex, M6 - 1.0
0280-80	-----	1	BRACKET
0280-90	194561GS	2	HHS, Trilobular, #10-32 x 3/8
0280-100	23897GS	2	WASHER, Flat, #10 - M5
0290	704130	6	SCREW, HEX, 1/4-20X.5
0300	-----	1	ASSEMBLY, Bracket
0310	84008694	1	HARNESS, Battery
0320	-----	1	DEFLECTOR, Panel, Outer
0330	-----	1	DEFLECTOR, Panel, Inner
0340	-----	4	RIVET, BLIND, 3/16 X 5/8
0350	316814GS	1	WIRE, Starter Solenoid
0370	192669GS	1	Clamp, Hose, "J"

Footnotes:

** To verify your specific engine model, please reference the ID Tag located on your engine. See your local Briggs & Stratton distributor for parts and service.



Power Group

REF NO	PART NO	QTY	DESCRIPTION
0420	3895750117E1	1	**Replacement Engine -(**See footnote)
0800	691613	2	GASKET, Exhaust
0810	805158	4	SCREW
1000	84011108	1	BRACKET ASSEMBLY -(Includes Ref. Nos. 0290, 0300, 0320, 0330, 0340)
0290	704130	4	SCREW, HEX, 1/4-20X.5
0300	-----	1	ASSEMBLY, Bracket
0320	-----	1	DEFLECTOR, Panel, Outer
0330	-----	1	DEFLECTOR, Panel, Inner
0340	-----	4	RIVET, BLIND, 3/16 X 5/8
1457	-----	1	MOTOR, Stepper -(Refer To Your Engine Model's Parts Manual)

Not For
Reproduction

Footnotes:

** To verify your specific engine model, please reference the ID Tag located on your engine. See your local Briggs & Stratton distributor for parts and service.



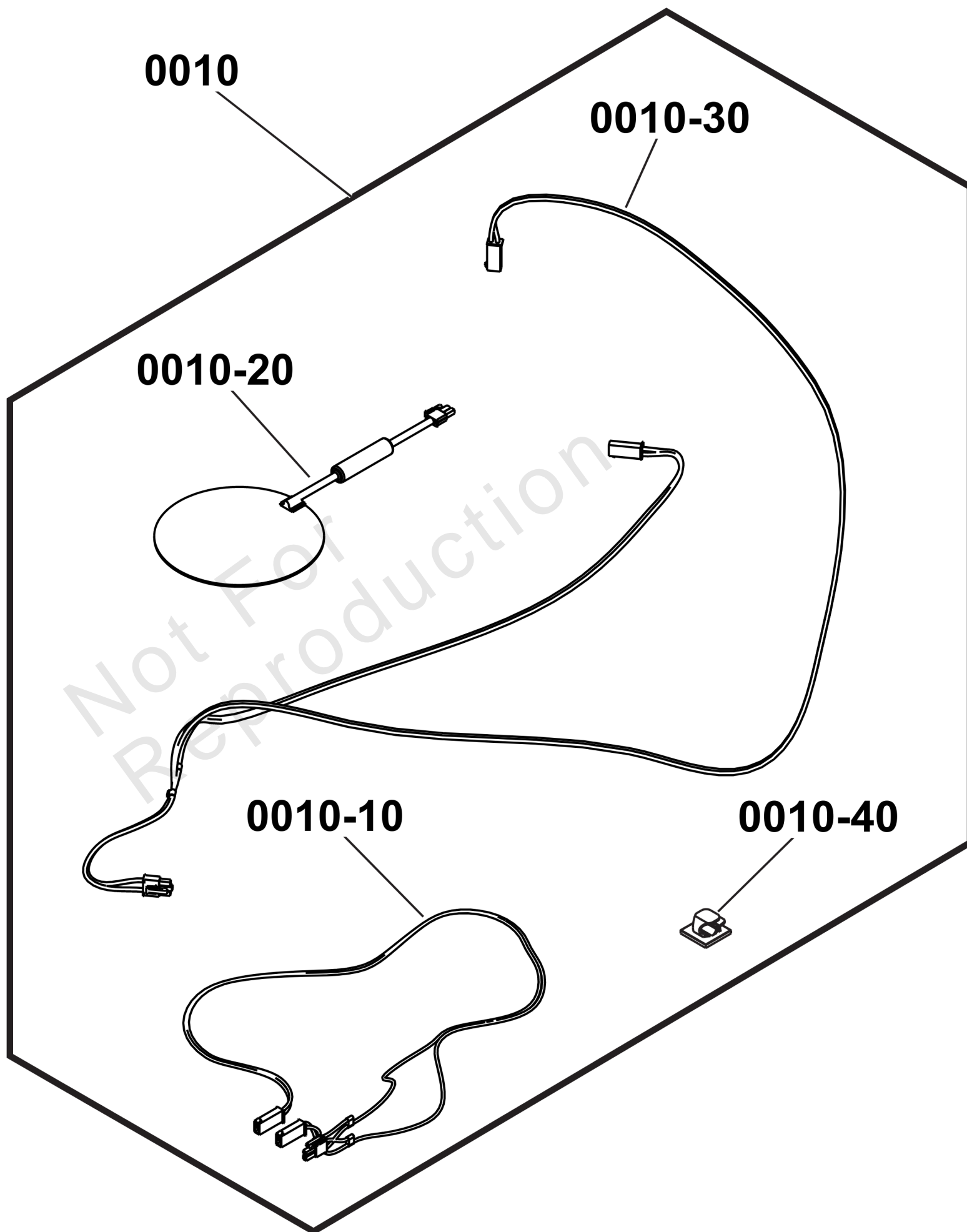
6845-00 - Fuel Regulator Heater

Not For
Reproduction

Fuel Regulator Heater

Note: Unless noted otherwise, use the standard torque specifications

Mfg. No: 6845-00



Fuel Regulator Heater

REF NO	PART NO	QTY	DESCRIPTION
0010	6845	1	HEATER, Fuel Regulator
0010-10	-----	1	HARNESS, Wire
0010-20	-----	1	HEATER, Fuel Regulator
0010-30	-----	1	HARNESS, Cold Weather
0010-40	-----	1	CLIP, LTCHNG

Not For Reproduction

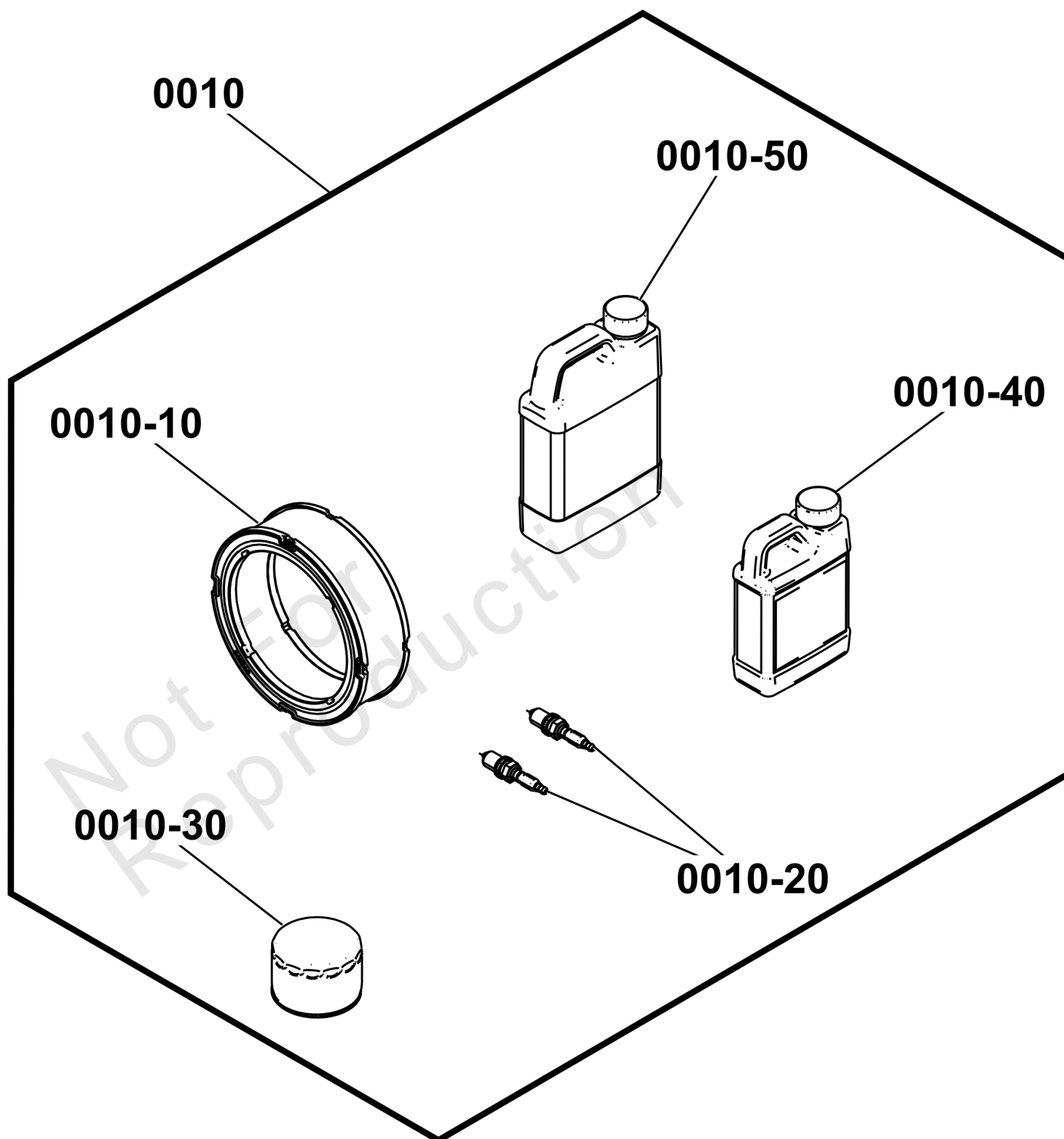


Not For
Reproduction

Maintenance

Note: Unless noted otherwise, use the standard torque specifications

Mfg. No: 6873-00



Maintenance

REF NO	PART NO	QTY	DESCRIPTION
0010	6873	1	KIT, Maintenance -(Incl. Ref. Nos. 0010-10, 0010-20, 0010-30, 0010-40, 0010-70)
0010-10	-----	1	CARTRIDGE, Air Cleaner
0010-20	72347GS	2	PLUG, Spark
0010-30	492932S	1	FILTER, Oil
0010-40	-----	1	BOTTLE, 16oz Oil
0010-50	-----	1	BOTTLE, 32oz Oil

Not For Reproduction

6892-00 - Spark Arrestor

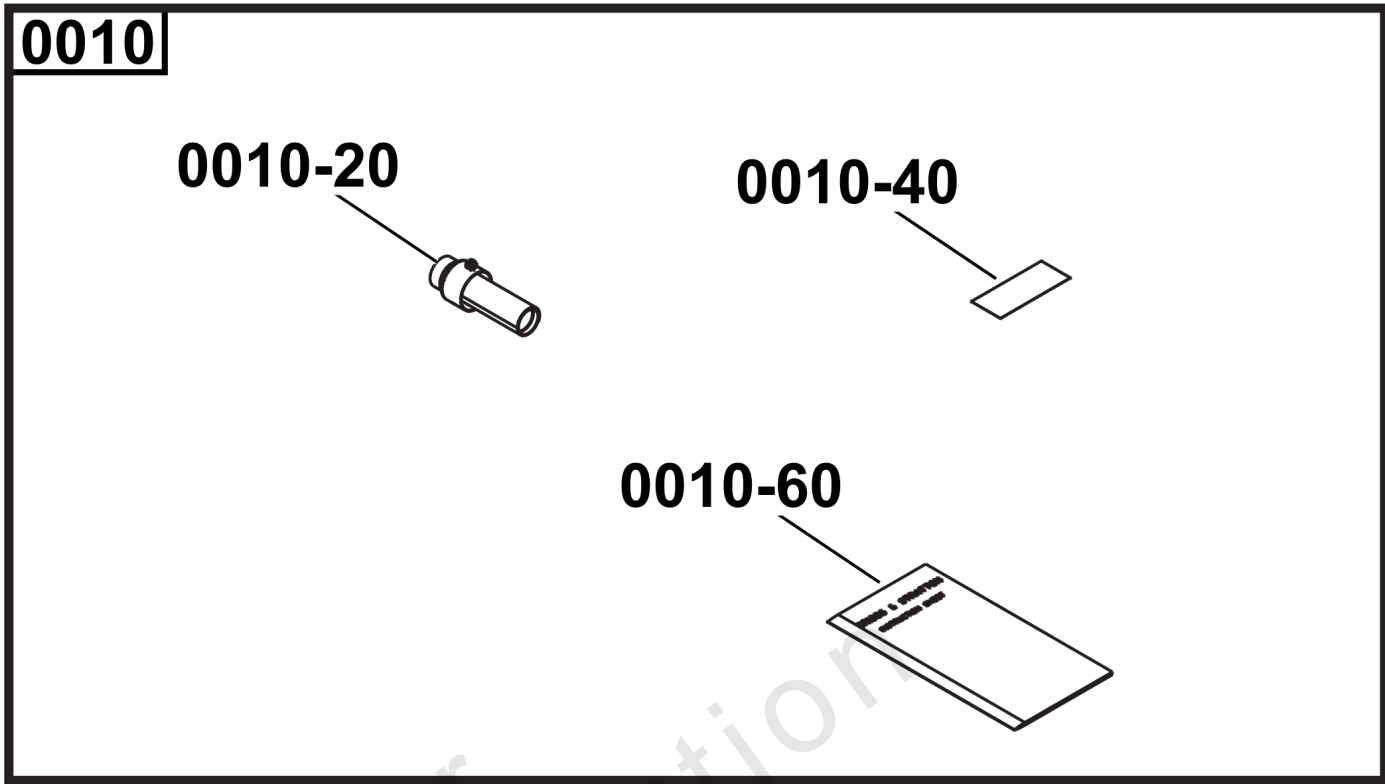


Not For
Reproduction

Spark Arrestor

Note: Unless noted otherwise, use the standard torque specifications

Mfg. No: 6892-00



Spark Arrestor

REF NO	PART NO	QTY	DESCRIPTION
0010	6892	1	ARRESTOR, Spark -(Incl. Ref. Nos. 0010-20, 0010-40, 0010-60)
0010-20	-----	1	ASSEMBLY, Spark Arrestor
0010-40	208538GS	1	DECAL, Spark
0010-60	-----	1	INSTRUCTION SHEET

Not For Reproduction

6920-00 - Wind Brackets

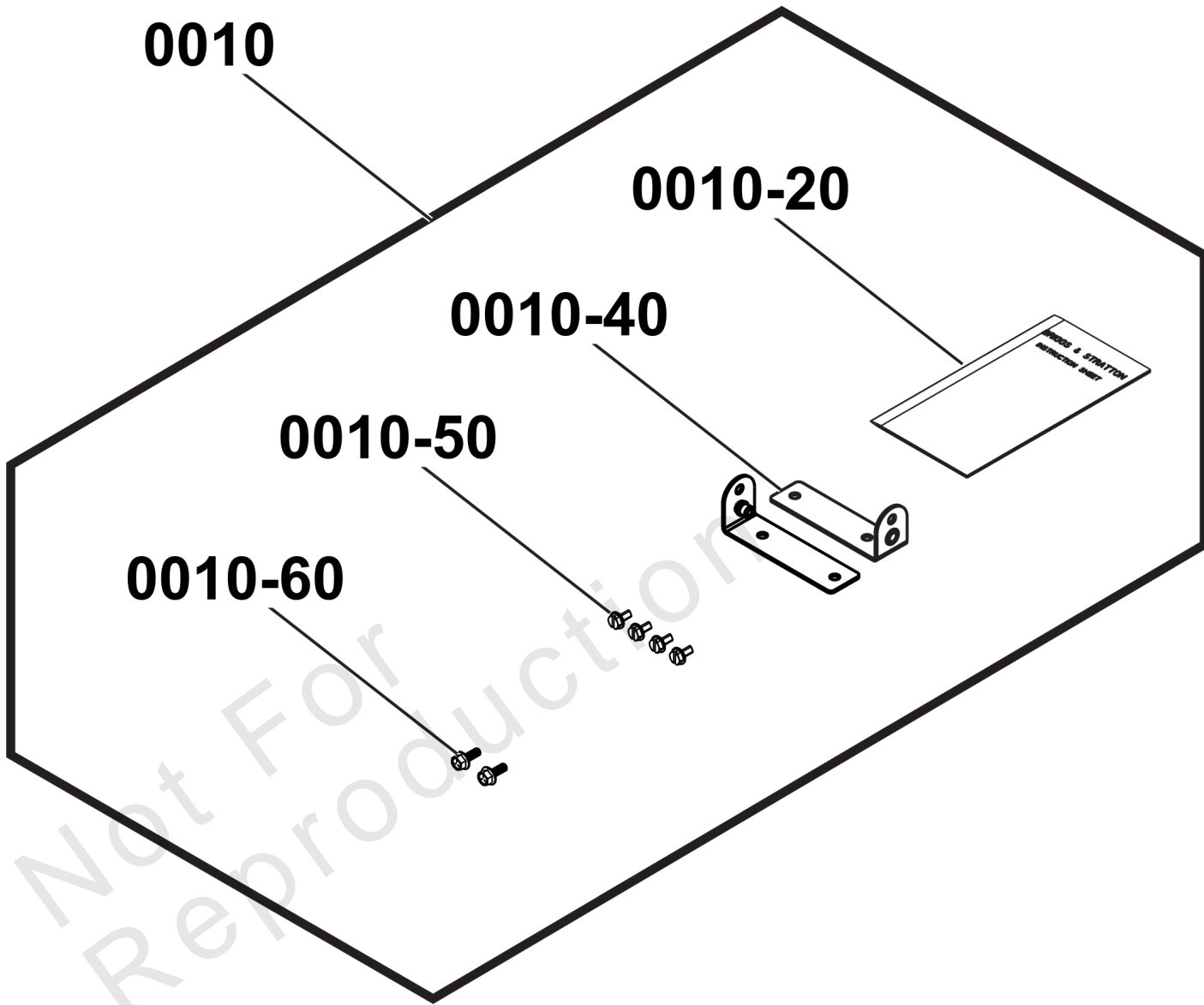


Not For
Reproduction

Wind Brackets

Note: Unless noted otherwise, use the standard torque specifications

Mfg. No: 6920-00



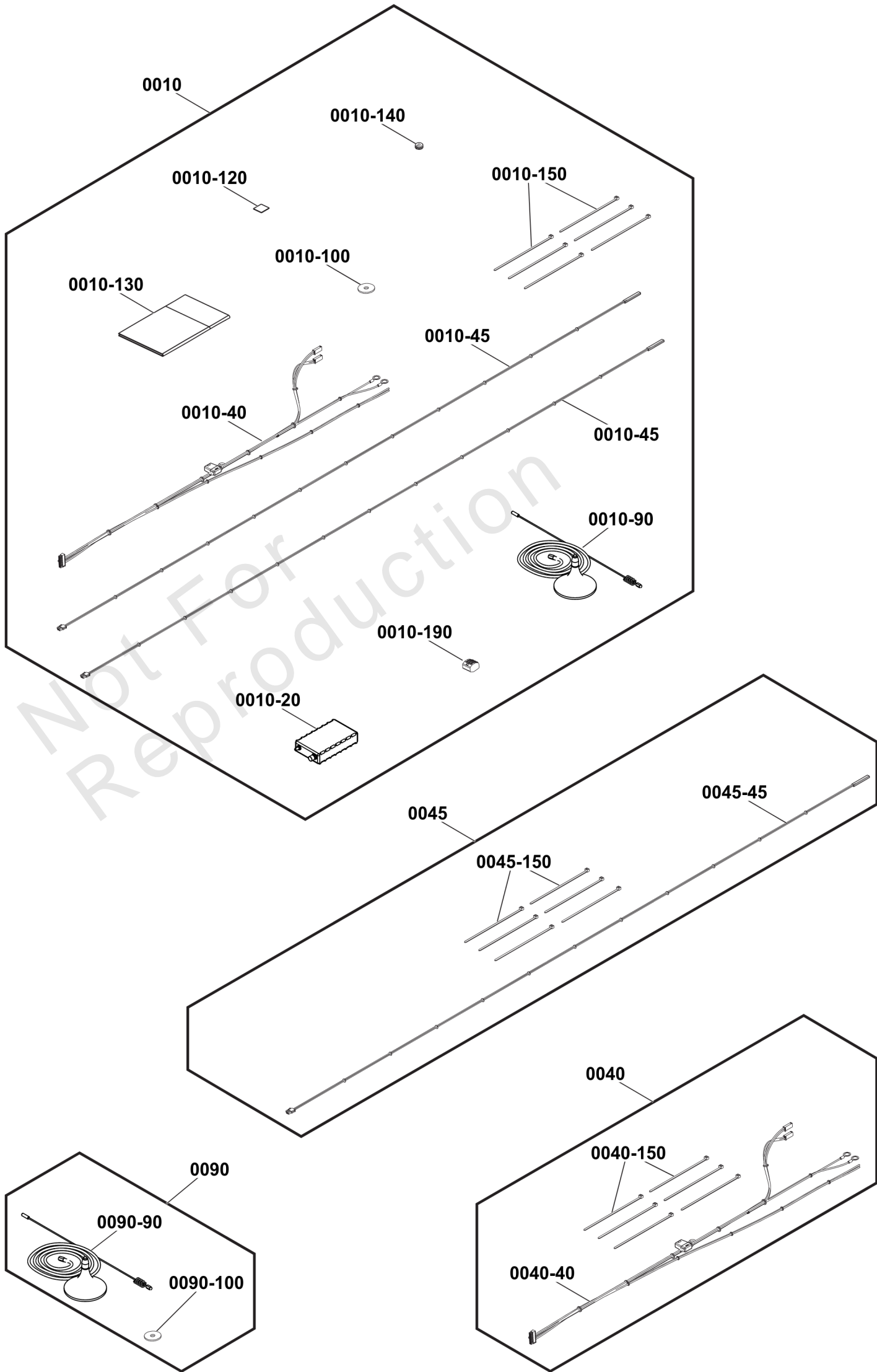
Wind Brackets

REF NO	PART NO	QTY	DESCRIPTION
0010	6920	1	BRACKET, Wind -(Incl. Ref. Nos. 0010-20, 0010-40, 0010-50, 0010-60)
0010-20	-----	1	SHEET, Instruction
0010-40	-----	2	BRACKET
0010-50	194561GS	4	HHS, Trilobular, #10-32 x 3/8
0010-60	-----	2	SCREW

Not For Reproduction



Not For
Reproduction



Infohub

REF NO	PART NO	QTY	DESCRIPTION
0010	6574	1	KIT, Infohub SP, Agnostic -(Incl. Ref. Nos. 0010-20, 0010-40, 0010-45, 0010-90, 0010-100, 0010-120, 0010-130, 0010-140, 0010-150, 0010-190)
0010-20	-----	1	INFOHUB, UNIV
0010-40	-----	1	HARNESS, Infohub SP, Agnostic
0010-45	-----	2	ASSEMBLY, Voltage Sensor
0010-90	-----	1	ANTENNA, Cell Quad Band
0010-100	703591	1	WASHER, .406X1.5X.12
0010-120	-----	1	STRIP, Adhesive Mounting
0010-130	-----	1	MANUAL, Operator
0010-140	316855GS	1	GROMMET
0010-150	29333AGS	6	TIEWRAP, 7 LG BLK
0010-190	197956GS	1	BLOCK, Terminal w/Levers
0040	84003260	1	HARNESS, Infohub SP, Agnostic -(Incl. Ref. Nos. 0040-40, 0040-150)
0040-40	-----	1	HARNESS, Infohub SP, Agnostic
0040-150	29333AGS	6	TIEWRAP, 7 LG BLK
0045	84003258	1	ASSEMBLY, Voltage Sensor -(Incl. Ref. Nos. 0045-45, 0045-150)
0045-45	-----	1	ASSEMBLY, Voltage Sensor
0045-150	29333AGS	6	TIEWRAP, 7 LG BLK
0090	84003261	1	ANTENNA, Cell Quad Band -(Incl. Ref. Nos. 0090-90, 0090-100)
0090-90	-----	1	ANTENNA, Cell Quad Band
0090-100	703591	1	WASHER, .406X1.5X.12



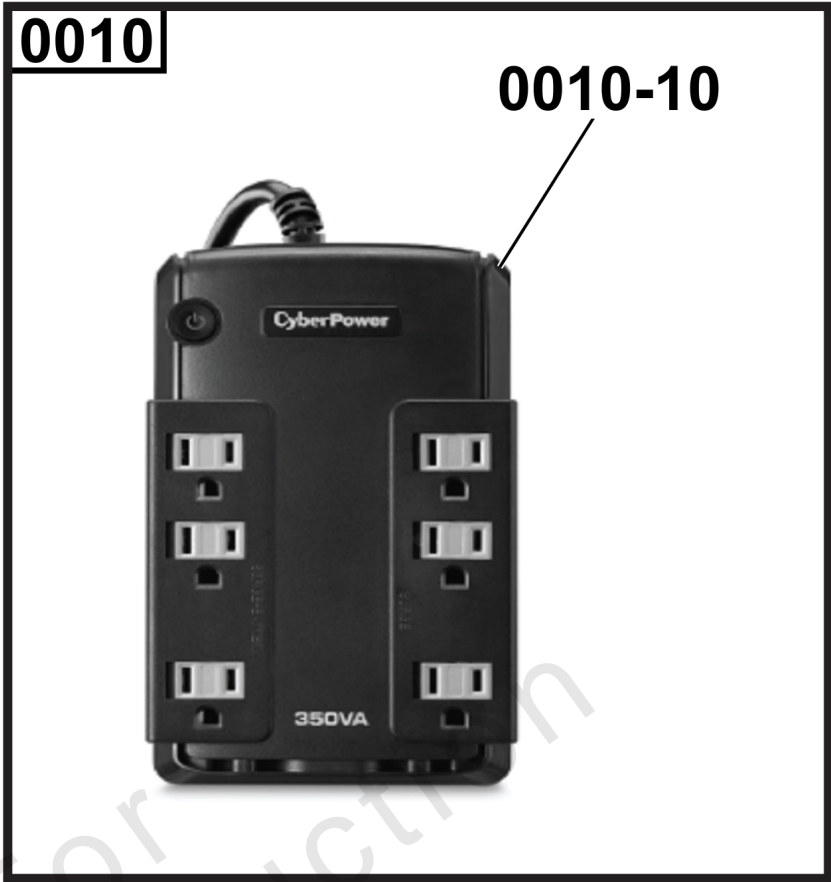
6581-00 - Uninterruptible Power Supply - (UPS)

Not For
Reproduction

Uninterruptible Power Supply - (UPS)

Note: Unless noted otherwise, use the standard torque specifications

Mfg. No: 6581-00



Uninterruptible Power Supply - (UPS)

REF NO	PART NO	QTY	DESCRIPTION
0010	6581	1	KIT, ACC, UPS 350VA/255W, 120VAC -(Incl. Ref. No. 0010-10)
0010-10	-----	1	UPS 350VA/255W, 120VAC

Not For Reproduction



6324-01 - Concrete Pad (Non-Hurricane)

Not For
Reproduction

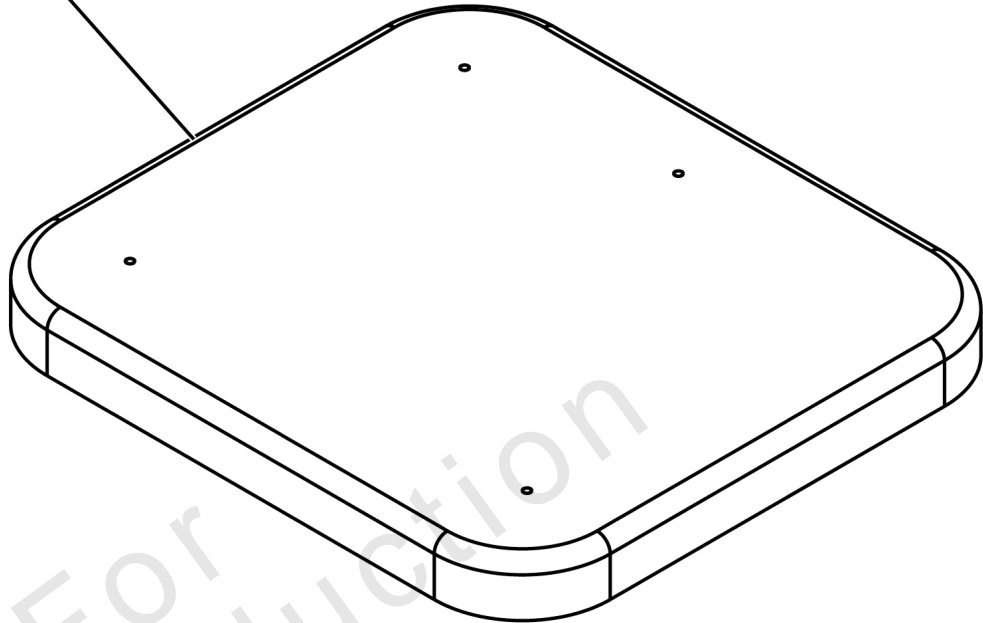
Concrete Pad (Non-Hurricane)

Note: Unless noted otherwise, use the standard torque specifications

Mfg. No: 6324-01

0010

0010-10



Not For
Reproduction

Concrete Pad (Non-Hurricane)

REF NO	PART NO	QTY	DESCRIPTION
0010	6324	1	ACC PAD, Concrete, Non-Hurricane -(Incl. Ref. No. 0010-10)
0010-10	-----	1	PAD, Concrete

Not For Reproduction



6326-01 - Concrete Pad (Hurricane)

Not For
Reproduction

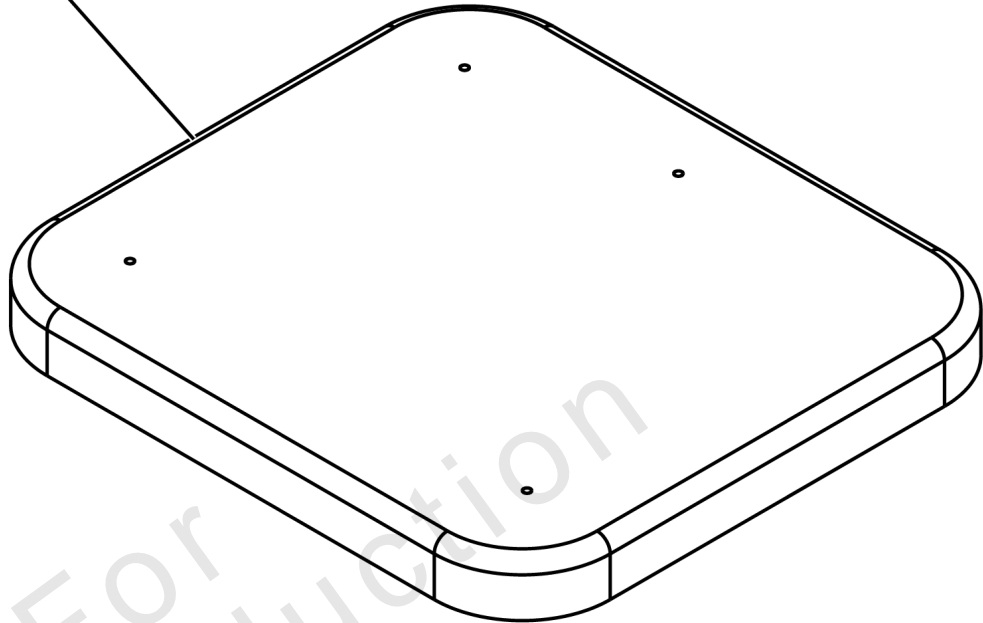
Concrete Pad (Hurricane)

Note: Unless noted otherwise, use the standard torque specifications

Mfg. No: 6326-01

0010

0010-10



Not For
Reproduction

Concrete Pad (Hurricane)

REF NO	PART NO	QTY	DESCRIPTION
0010	6326	1	ACC PAD, Concrete, Hurricane -(Incl. Ref. No. 0010-10)
0010-10	-----	1	PAD, Concrete

Not For Reproduction

6491-01 - Estop Switch

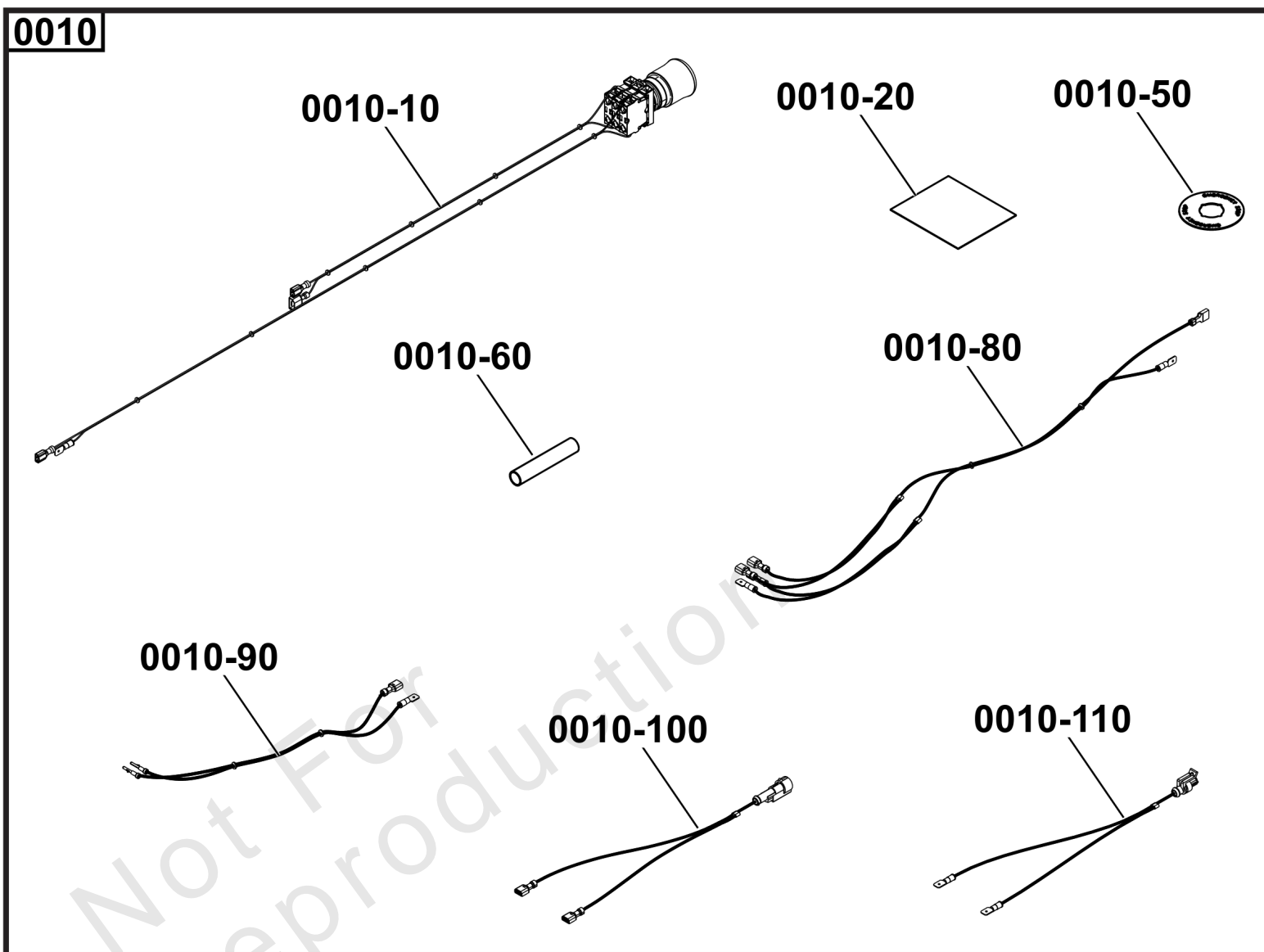


Not For
Reproduction

Estop Switch

Note: Unless noted otherwise, use the standard torque specifications

Mfg. No: 6491-01



Estop Switch

REF NO	PART NO	QTY	DESCRIPTION
0010	6491	1	ACC KIT, SWITCH, E-STOP -(Incl. Ref. Nos. 0010-10, 0010-20, 0010-50, 0010-60, 0010-80, 0010-90, 0010-100, 0010-110)
0010-10	----	1	ASSEMBLY, Switch, E-Stop
0010-20	----	1	DECAL
0010-50	----	1	LEGEND PLATE, E-Stop
0010-60	----	1	TUBING, Heat Shrink
0010-80	----	1	HARNESS
0010-90	----	1	HARNESS
0010-100	----	1	HARNESS
0010-110	----	1	HARNESS

Not For Reproduction

6182-00 - Battery Warmer

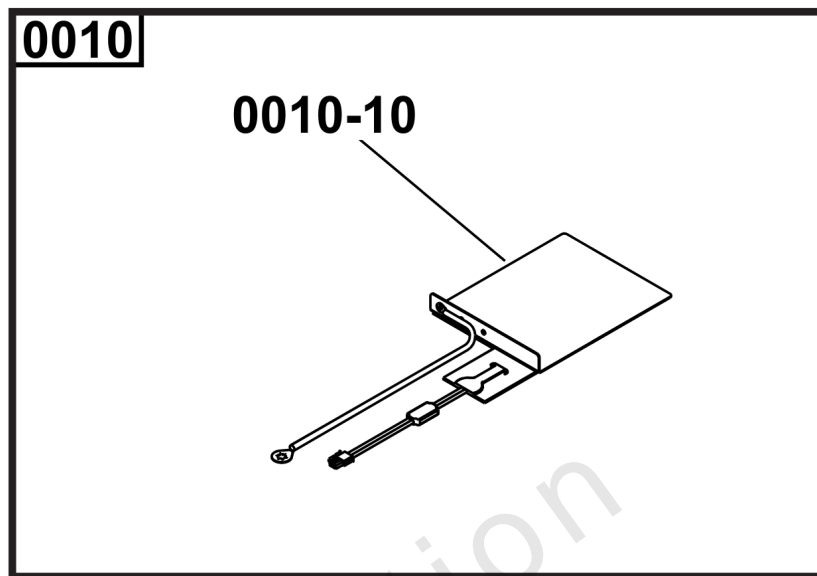


Not For
Reproduction

Battery Warmer

Note: Unless noted otherwise, use the standard torque specifications

Mfg. No: 6182-00



Not For
Reproduction

Battery Warmer

REF NO	PART NO	QTY	DESCRIPTION
0010	6182	1	WARMER, Battery -(Incl. Ref. No. 0010-10)
0010-10	314941GS	1	PLATE, Warmer

Not For Reproduction

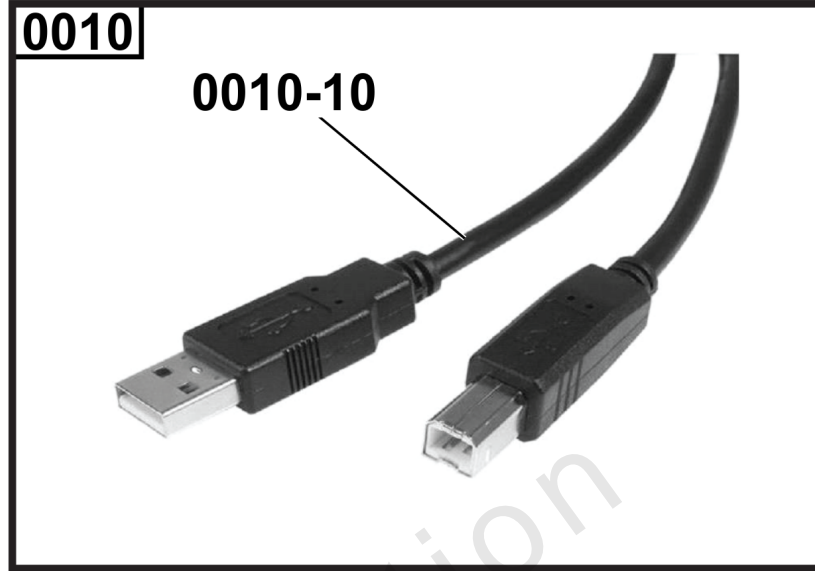


Not For
Reproduction

USB Cable

Note: Unless noted otherwise, use the standard torque specifications

Mfg. No: 6428-00



Not For
Reproduction

USB Cable

REF NO	PART NO	QTY	DESCRIPTION
0010	6428	1	KIT, Communication Cable -(Incl. Ref. No. 0010-10)
0010-10	-----	1	CABLE, USB

Not For Reproduction



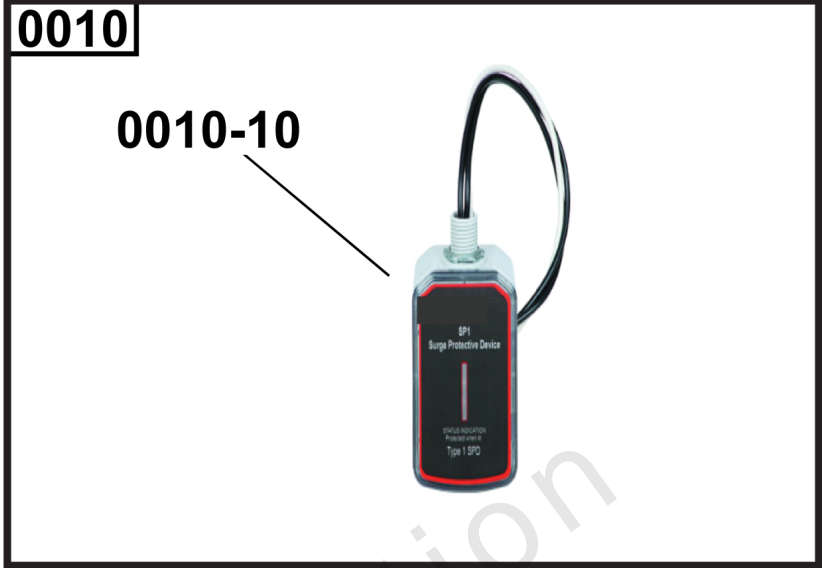
6631-00 - Surge Protective Device (SPD)

Not For
Reproduction

Surge Protective Device (SPD)

Note: Unless noted otherwise, use the standard torque specifications

Mfg. No: 6631-00



Not For
Reproduction

Surge Protective Device (SPD)

REF NO	PART NO	QTY	DESCRIPTION
0010	6631	1	SURGE PROTECTIVE DEVICE (SPD) -(Incl. Ref. No. 0010-10)
0010-10	-----	1	SURGE PROTECTIVE DEVICE (SPD)

Not For Reproduction



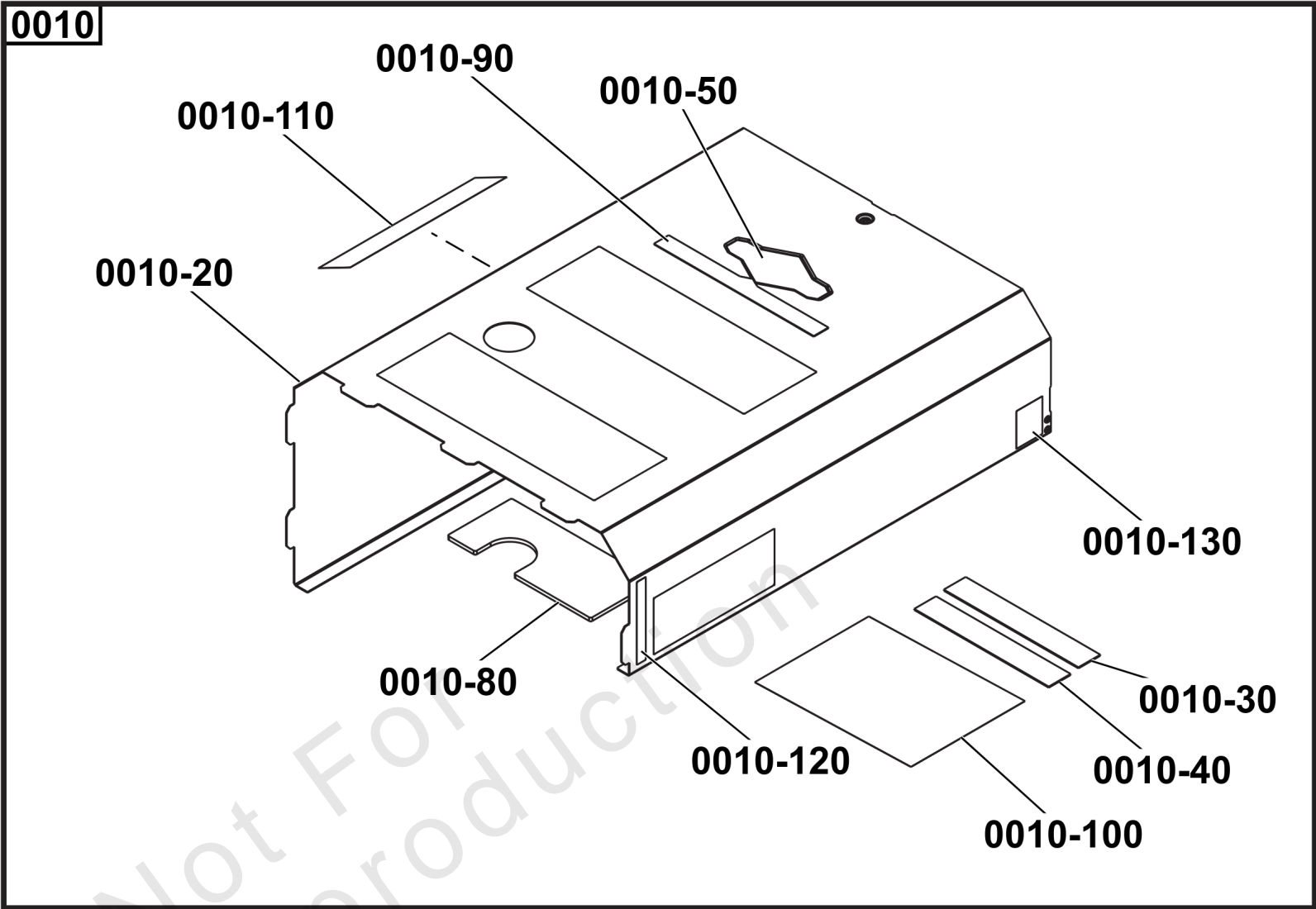
6910-00 - Front Panel Assembly

Not For
Reproduction

Front Panel Assembly

Note: Unless noted otherwise, use the standard torque specifications

Mfg. No: 6910-00



Front Panel Assembly

REF NO	PART NO	QTY	DESCRIPTION
0010	6910	1	ASSEMBLY, Panel, Front -(Incl. Ref. Nos. 0010-20, 0010-30, 0010-40, 0010-50, 0010-80, 0010-90, 0010-100, 0010-110, 0010-120, 0010-130)
0010-20	-----	1	ENCLOSURE, Panel, Front
0010-30	-----	1	DECAL
0010-40	-----	1	DECAL
0010-50	-----	1	DECAL
0010-80	-----	1	PANEL, Muffler Guard
0010-90	-----	1	DECAL
0010-100	84010842	1	DECAL, Warning, Sheet
0010-110	-----	1	DECAL, Warning, Exhaust
0010-120	-----	1	DECAL-RAINPROOF ENCLOSURE
0010-130	-----	1	DECAL, Emergency Shutdown

Not For Reproduction



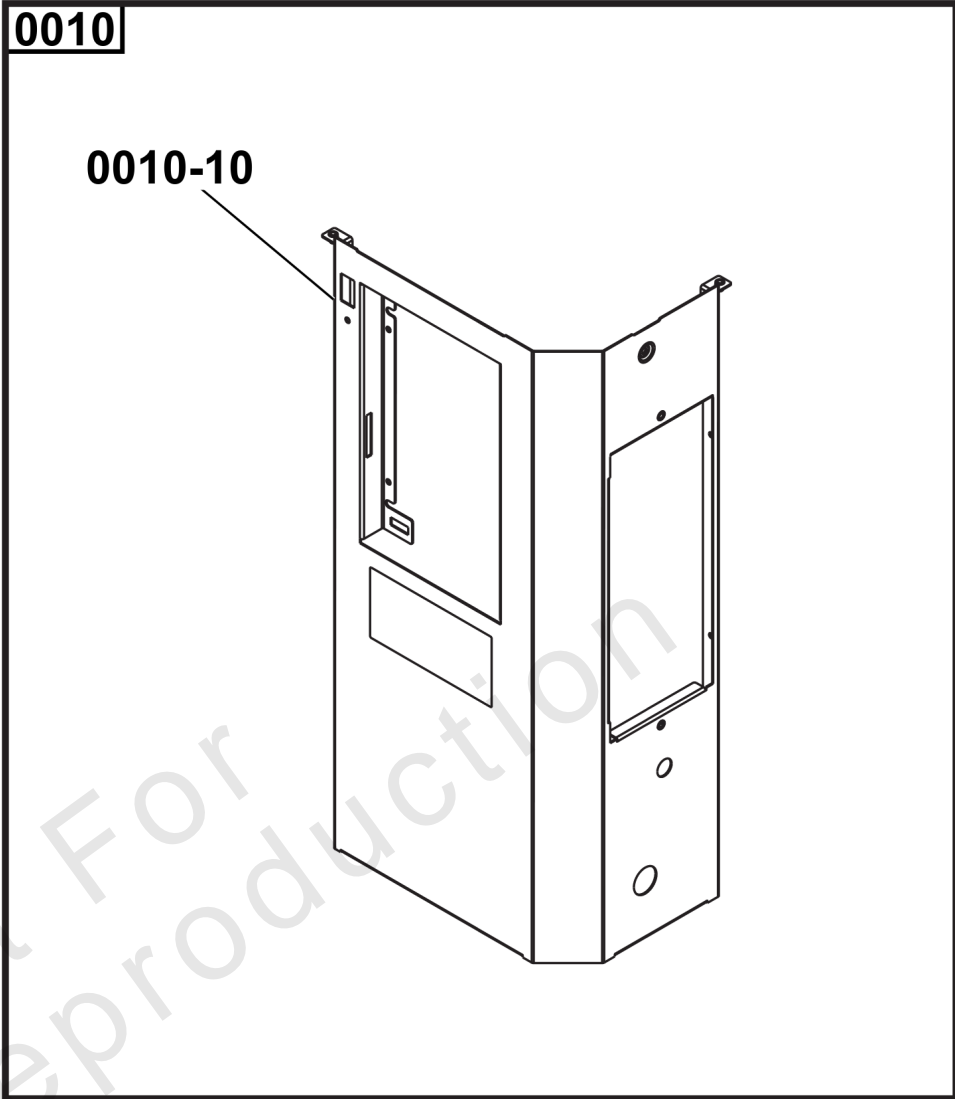
6911-00 - Right Panel Assembly

Not For
Reproduction

Right Panel Assembly

Note: Unless noted otherwise, use the standard torque specifications

Mfg. No: 6911-00



Right Panel Assembly

REF NO	PART NO	QTY	DESCRIPTION
0010	6911	1	ASSEMBLY, Panel, Right -(Incl. Ref. No. 0010-10)
0010-10	-----	1	ASSEMBLY, Panel, Right

Not For Reproduction



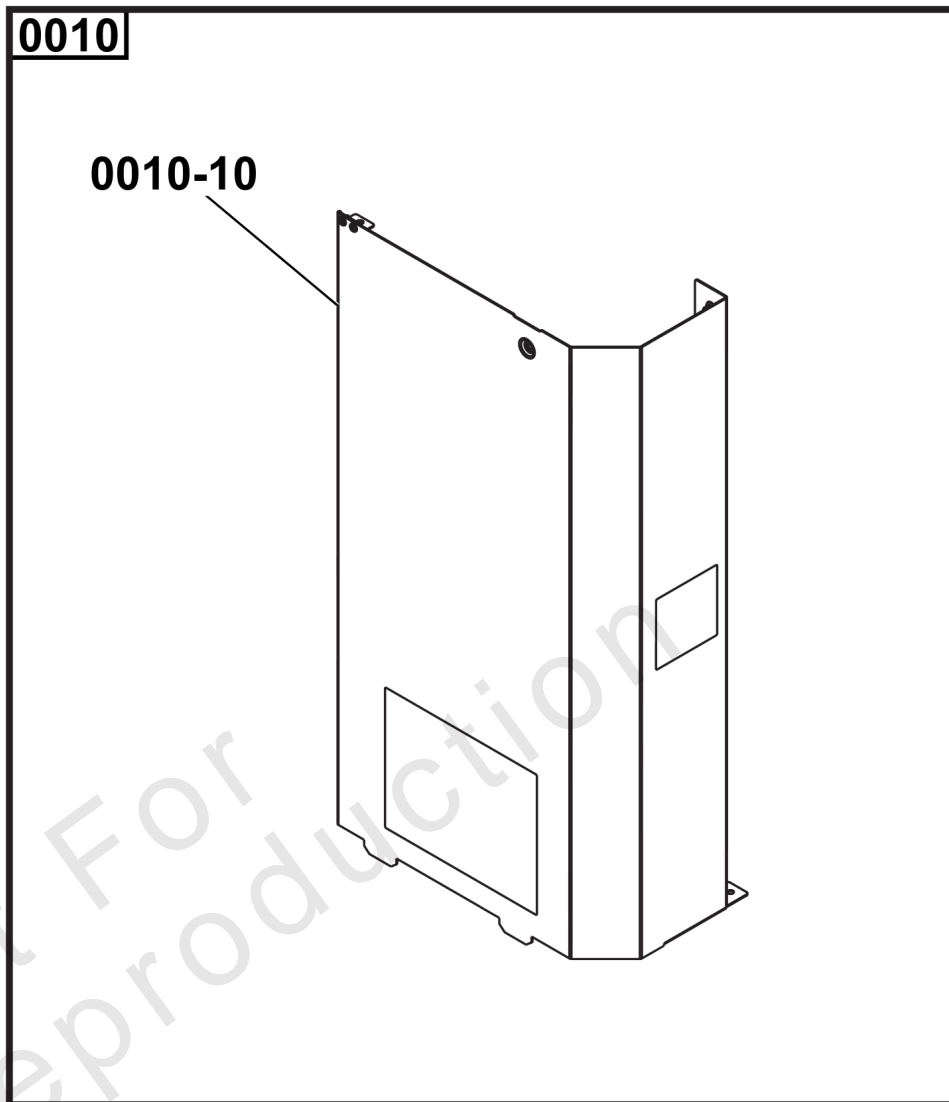
6912-00 - Left Panel Assembly

Not For
Reproduction

Left Panel Assembly

Note: Unless noted otherwise, use the standard torque specifications

Mfg. No: 6912-00



Left Panel Assembly

REF NO	PART NO	QTY	DESCRIPTION
0010	6912	1	ASSEMBLY, Panel, Left -(Incl. Ref. No. 0010-10)
0010-10	-----	1	ASSEMBLY, Panel, Left

Not For Reproduction

6913-00 - Roof Assembly

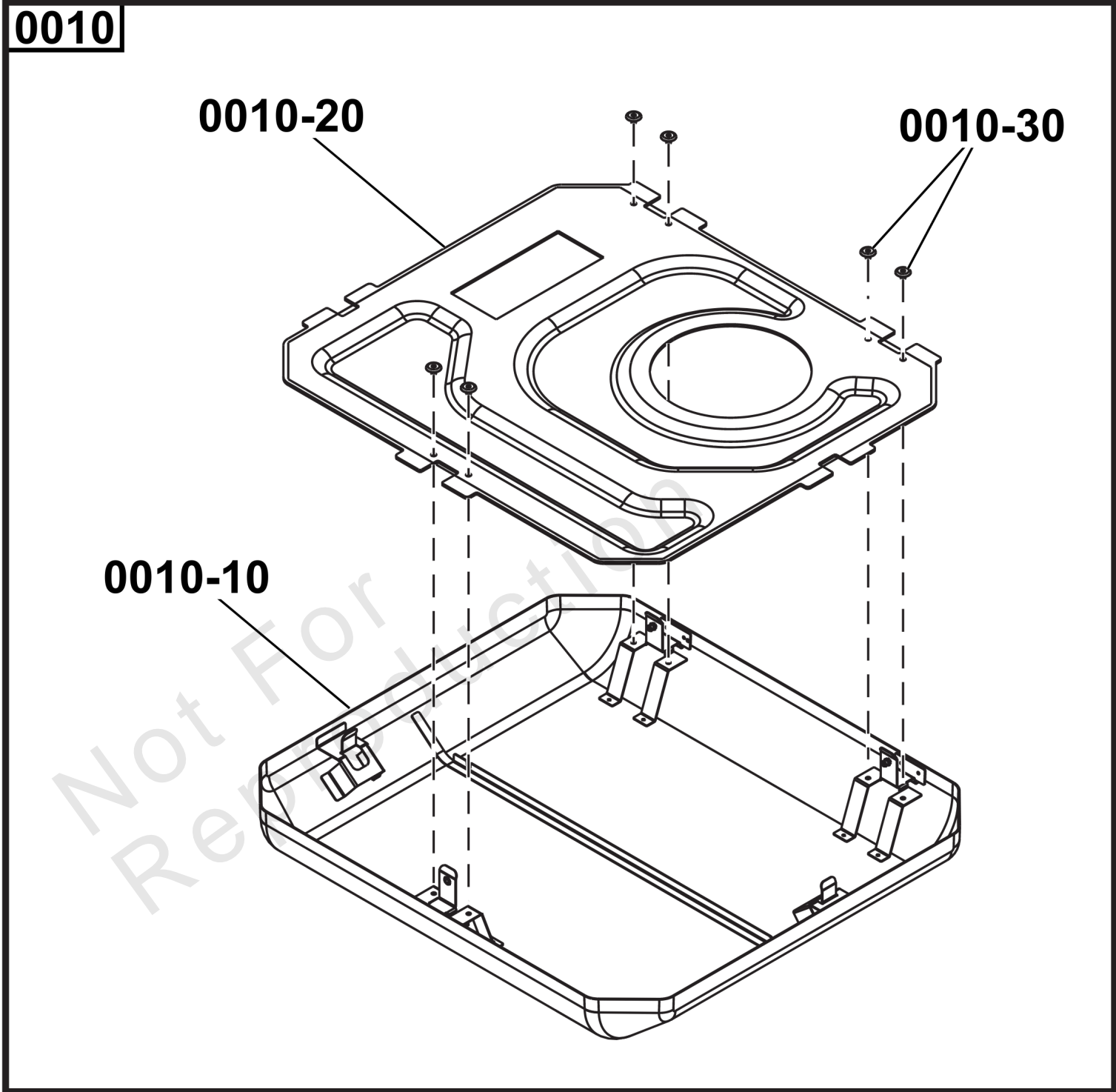


Not For
Reproduction

Roof Assembly

Note: Unless noted otherwise, use the standard torque specifications

Mfg. No: 6913-00



Roof Assembly

REF NO	PART NO	QTY	DESCRIPTION
0010	6913	1	ASSEMBLY, Roof -(Incl. Ref. Nos. 0010-10, 0010-20, 0010-30)
0010-10	-----	1	ASSEMBLY, Roof
0010-20	-----	1	DIVIDER, Roof
0010-30	-----	6	RIVET, BLIND, 3/16 X 5/8

Not For Reproduction



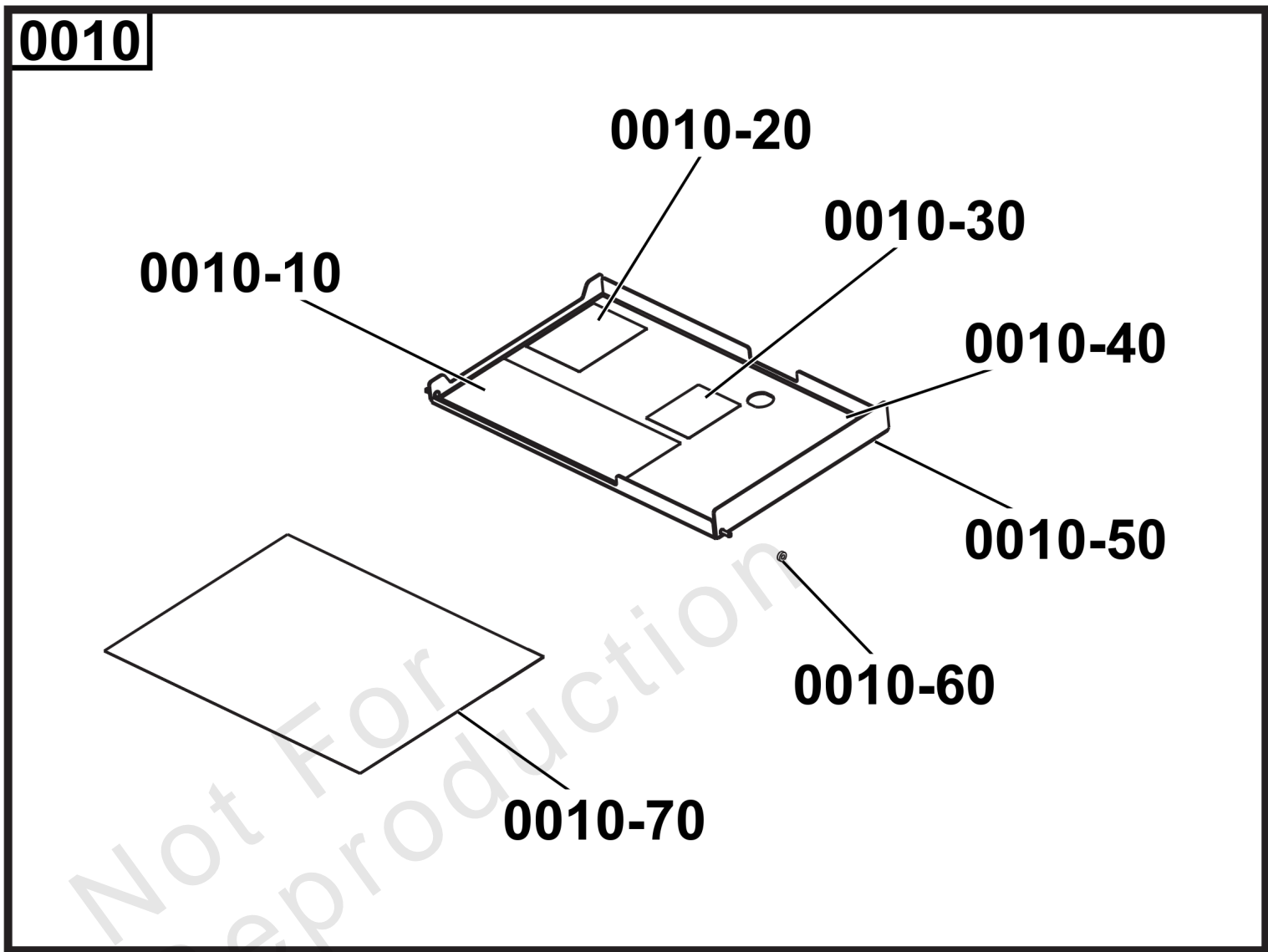
6915-00 - Control Door Assembly

Not For
Reproduction

Control Door Assembly

Note: Unless noted otherwise, use the standard torque specifications

Mfg. No: 6915-00



Control Door Assembly

REF NO	PART NO	QTY	DESCRIPTION
0010	6915		ASSEMBLY, Control Panel Door -(Incl. Ref. Nos. 0010-10, 0010-20, 0010-30, 0010-40, 0010-50, 0010-60, 0010-70)
0010-10	-----	1	DECAL, Notice Fuel Requirements
0010-20	-----	1	DECAL, Warning, Manual
0010-30	-----	1	DECAL, Warning
0010-40	-----	1	DECAL, MOR, AUBURN
0010-50	-----	1	DOOR, Control Panel
0010-60	703929	1	WASHER-FLAT, NYLON
0010-70	84010842	1	DECAL, Warning, Sheet

Not For Reproduction

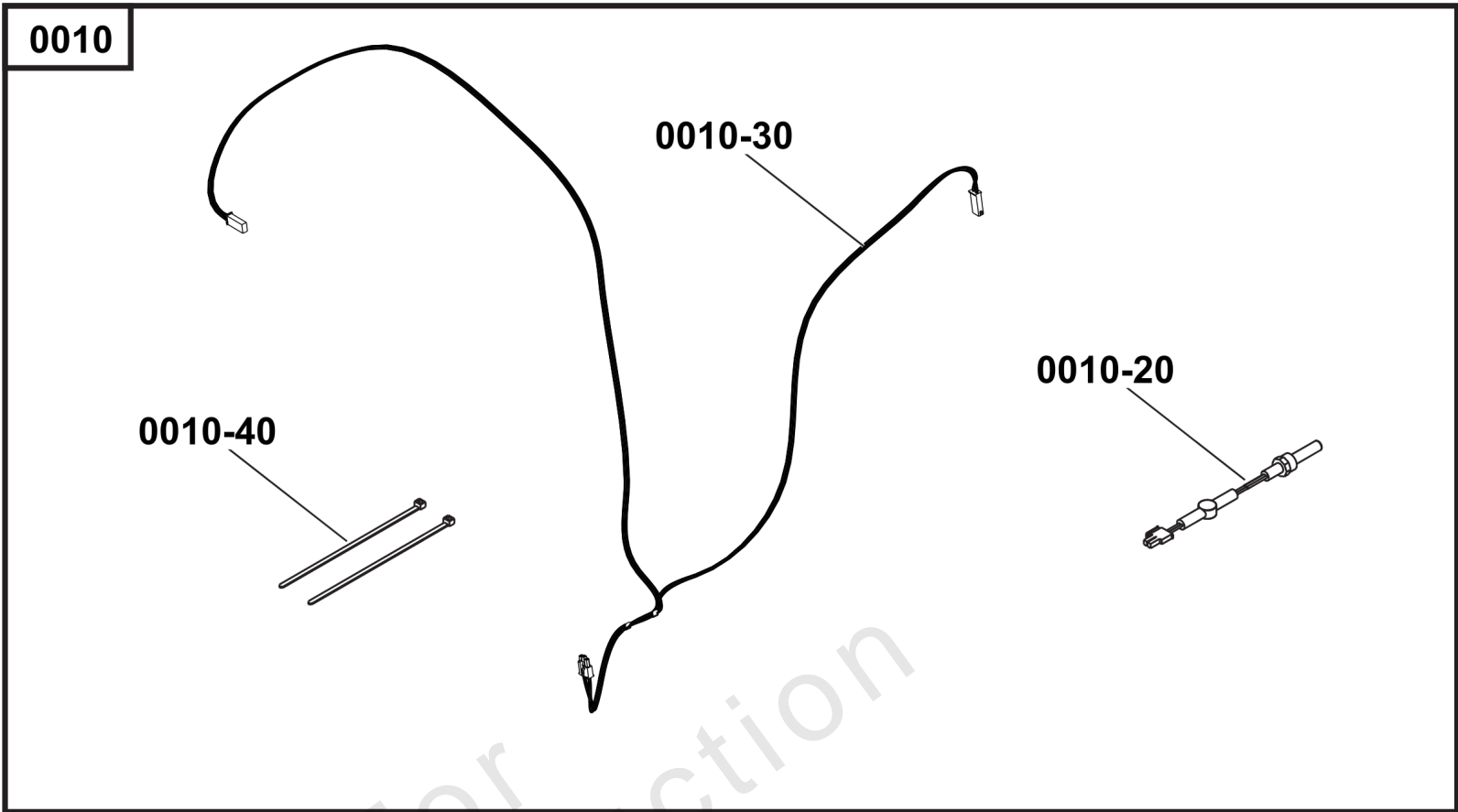


Not For
Reproduction

Oil Warmer

Note: Unless noted otherwise, use the standard torque specifications

Mfg. No: 6922-00



Oil Warmer

REF NO	PART NO	QTY	DESCRIPTION
0010	6922	1	KIT, Oil Warmer -(Incl. Ref. No. 0010-20, 0010-30, 0010-40)
00010-20	-----	1	HEATER, Oil
0010-30	84003363	1	HARNES, Cold Weather Kit
0010-40	29333AGS	2	TIEWRAP, 7 LG BLK

Not For Reproduction

6921-01 - Battery Warmer

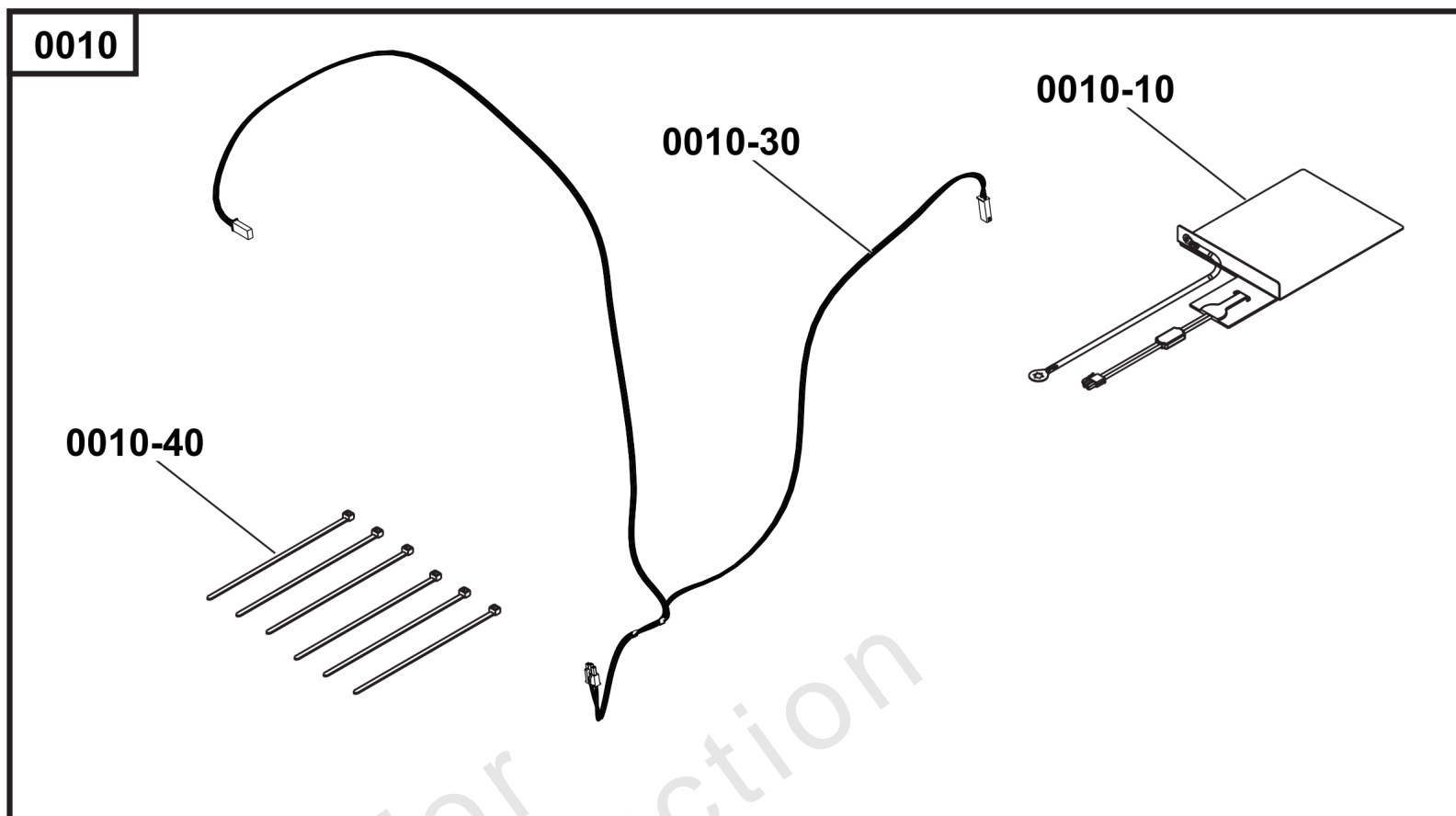


Not For
Reproduction

Battery Warmer

Note: Unless noted otherwise, use the standard torque specifications

Mfg. No: 6921-01



Battery Warmer

REF NO	PART NO	QTY	DESCRIPTION
0010	6921	1	KIT, Cold Weather -(Incl. Ref. Nos. 0010-10, 0010-30, 0010-40)
0010-10	314941GS	1	PLATE, Warmer
0010-30	84003363	1	HARNESS, Cold Weather Kit
0010-40	29333AGS	6	TIEWRAP, 7 LG BLK

Not For Reproduction

Hardware Identification & Torque Specifications

Torque Specification Chart								
FOR STANDARD METRIC MACHINE HARDWARE (Tolerance ± 20%)								
Property Class	5.6		8.8		10.9		12.9	
	Class 5.6		Class 8.8		Class 10.9		Class 12.9	
Size Of Hardware	in/lbs		in/lbs		in/lbs		in/lbs	
	ft/lbs	Nm.	ft/lbs	Nm.	ft/lbs	Nm.	ft/lbs	Nm.
M3	5.88	.56	13.44	1.28	19.2	1.80	22.92	2.15
M4	13.44	1.28	30.72	2.90	43.44	4.10	52.56	4.95
M5	26.4	2.50	60.96	5.75	5.97	8.10	7.15	9.7
M6	44.64	4.3	7.3	9.9	10.3	14	12.1	16.5
M7	5.2	7.1	12.1	16.5	16.9	23	19.9	27
M8	7.7	10.5	17.7	24	25	34	29	40
M10	15	21	35	48	50	67	59	81
M12	26	36	61	83	86.2	117	103	140
M14	42	58	101	132	136	185	162	220
M16	64	88	147	200	210	285	250	340
M18	89	121	202	275	287	390	346	470
M20	126	171	290	390	405	550	486	660
M22	169	230	390	530	559	745	656	890
M24	217	295	497	375	708	960	840	1140
M27	320	435	733	995	1032	1400	1239	1680
M30	435	590	995	1350	1401	1900	1681	2280
M33	590	800	1349	1830	1902	2580	2278	3090
M36	759	1030	1740	2360	2441	3310	2935	3980
M39	988	1340	2249	3050	3163	4290	3798	5150

Torque Specification Chart						
FOR STANDARD MACHINE HARDWARE (Tolerance ± 20%)						
Hardware Grade	No Marks		SAE Grade 5		SAE Grade 8	
	SAE Grade 2		SAE Grade 5		SAE Grade 8	
Size Of Hardware	in/lbs		in/lbs		in/lbs	
	ft/lbs	Nm.	ft/lbs	Nm.	ft/lbs	Nm.
8-32	19	2.1	30	3.4	41	4.6
8-36	20	2.3	31	3.5	43	4.9
10-24	27	3.1	43	4.9	60	6.8
10-32	31	3.5	49	5.5	68	7.7
1/4-20	66	7.6	8	10.9	12	16.3
1/4-28	76	8.6	10	13.6	14	19.0
5/16-18	11	15.0	17	23.1	25	34.0
5/16-24	12	16.3	19	25.8	29	34.0
3/8-16	20	27.2	30	40.8	45	61.2
3/8-24	23	31.3	35	47.6	50	68.0
7/16-14	30	40.8	50	68.0	70	95.2
7/16-20	35	47.6	55	74.8	80	108.8
1/2-13	50	68.0	75	102.0	110	149.6
1/2-20	55	74.8	90	122.4	120	163.2
9/16-12	65	88.4	110	149.6	150	204.0
9/16-18	75	102.0	120	163.2	170	231.2
5/8-11	90	122.4	150	204.0	220	299.2
5/8-18	100	136	180	244.8	240	326.4
3/4-10	160	217.6	260	353.6	386	525.0
3/4-16	180	244.8	300	408.0	420	571.2
7/8-9	140	190.4	400	544.0	600	816.0
7/8-14	155	210.8	440	598.4	660	897.6
1-8	220	299.2	580	788.8	900	1,244.0
1-12	240	326.4	640	870.4	1,000	1,360.0

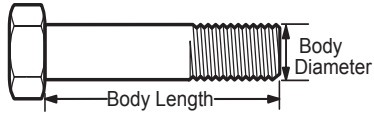
The guides and ruler furnished below are designed to help you select the appropriate hardware.



Nut, M8

Thread Diameter (mm)
Inside Diameter (in)
Threads per inch

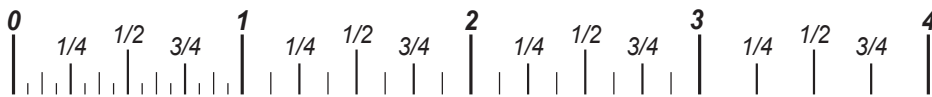
Nut, 1/2-16



Screw, M8- 1.25 x 25

Thread Diameter (mm)
Body Diameter
Distance between threads (mm)
Threads per inch
Body Length (mm)
Body Length (in)

Screw, 1/2- 16 x 2



Standard Hardware Sizing

When a washer or nut is identified as 1/2" (M8), this is the *Nominal size*, meaning the *inside diameter* is 1/2 inch (8mm metric thread diameter); if a second number is present it represents the *threads per inch* (distance between threads).

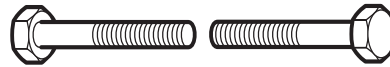
When bolt or capscrew is identified as 1/2 - 16 x 2" (M8 - 1.25 x 50), this means the *Nominal size*, or body diameter is 1/2 inch (8mm metric thread diameter), the second number, 16, represents the *threads per inch*, (*distance between threads*). The final number is the body length of the bolt or screw, 2 inches (50mm).

NOTES

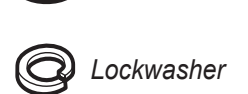
- These torque values are to be used for all hardware excluding: locknuts, self-tapping screws, thread forming screws, sheet metal screws and socket head setscrews.
- Recommended seating torque values for locknuts:
 - for prevailing torque locknuts - use 65% of grade 5 torques.
 - for flange whizlock nuts and screws - use 135% of grade 5 torques.
- Unless otherwise noted on assembly drawings, all torque values must meet this specification.

Common Hardware Types

Hex Head Capscrew



Washer



Carriage Bolt



Hex Nut

Wrench & Fastener Size Guide

1/4" Bolt or Nut Wrench—7/16"	5/16" Bolt or Nut Wrench—1/2"	3/8" Bolt or Nut Wrench—9/16"	7/16" Bolt or Nut Wrench (Bolt)—5/8" Wrench (Nut)—11/16"	1/2" Bolt or Nut Wrench—3/4"
M6 Bolt or Nut Wrench—10mm	M8 Bolt or Nut Wrench—13mm	M10 Bolt or Nut Wrench—17mm	M12 Bolt or Nut Wrench—19mm	M14 Bolt or Nut Wrench—22mm

