

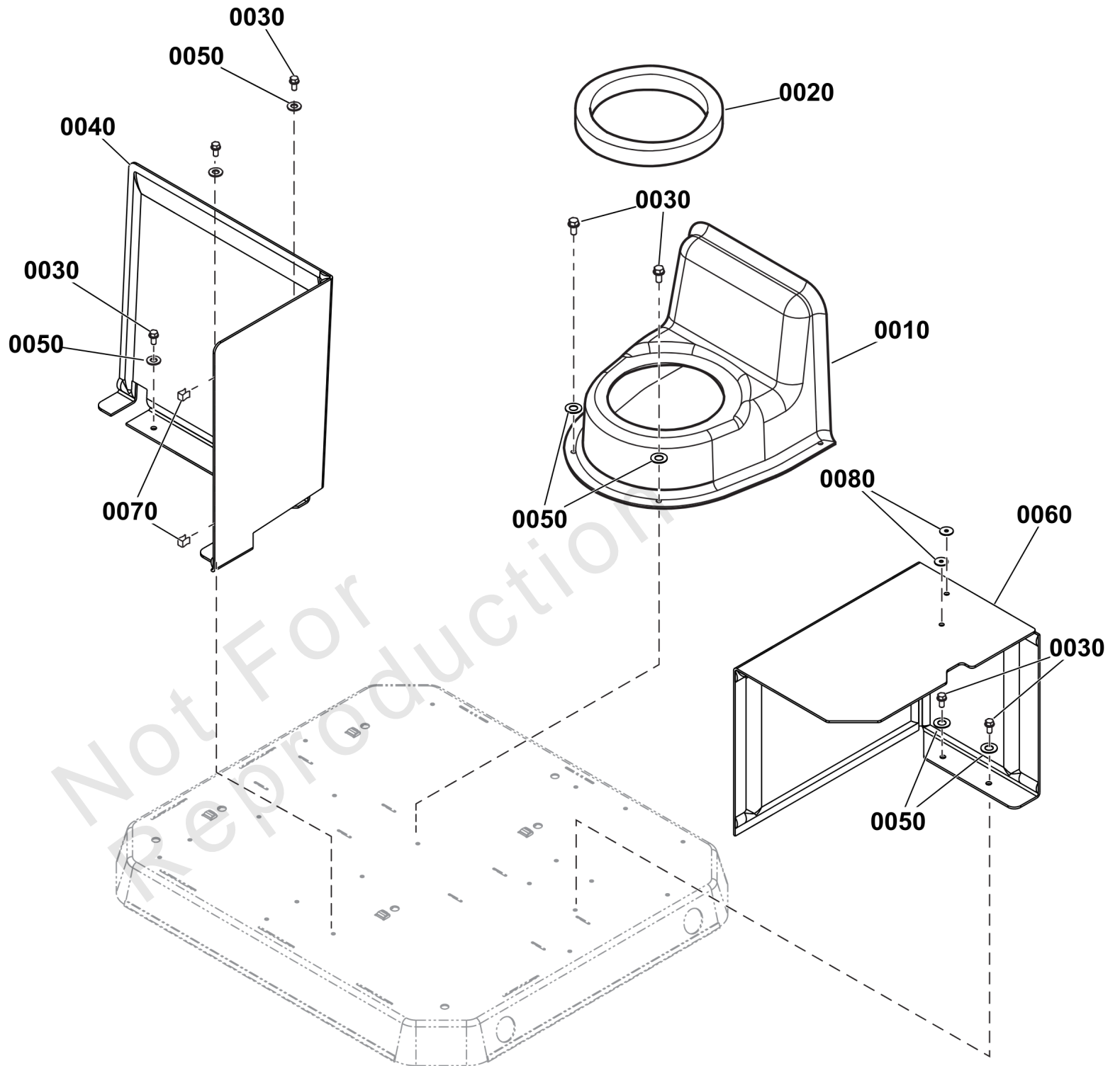


# Parts Manual

Mfg. No: 040742-00  
13,000 Watt Standby Generator With 100  
Amp ATS



<b>Model Components</b>	<b>Page</b>
Air Handling Group.....	4
Control Panel Group.....	6
Decals Group.....	8
Decals Group - ATS Informational.....	10
Decals Group - ATS Warning.....	12
Enclosure Group.....	14
Manuals & Accessories Group.....	16
Power Group.....	18
Transfer Switch - Enclosure.....	22
6845-00 - Fuel Regulator Heater.....	24
Fuel Regulator Heater.....	25
6873-00 - Maintenance.....	27
Maintenance.....	28
6892-00 - Spark Arrestor.....	30
Spark Arrestor.....	31
6920-00 - Wind Brackets.....	33
Wind Brackets.....	34
6574-01 - Infohub.....	36
Infohub.....	37
6581-00 - Uninterruptible Power Supply - (UPS).....	39
Uninterruptible Power Supply - (UPS).....	40
6324-01 - Concrete Pad (Non-Hurricane).....	42
Concrete Pad (Non-Hurricane).....	43
6326-01 - Concrete Pad (Hurricane).....	45
Concrete Pad (Hurricane).....	46
6491-01 - Estop Switch.....	48
Estop Switch.....	49
6182-00 - Battery Warmer.....	51
Battery Warmer.....	52
6428-00 - USB Cable.....	54
USB Cable.....	55
6631-00 - Surge Protective Device (SPD).....	57
Surge Protective Device (SPD).....	58
6910-00 - Front Panel Assembly.....	60
Front Panel Assembly.....	61
6911-00 - Right Panel Assembly.....	63
Right Panel Assembly.....	64
6912-00 - Left Panel Assembly.....	66
Left Panel Assembly.....	67
6913-00 - Roof Assembly.....	69
Roof Assembly.....	70
6915-00 - Control Door Assembly.....	72
Control Door Assembly.....	73
6922-00 - Oil Warmer.....	75
Oil Warmer.....	76
6921-01 - Battery Warmer.....	78
Battery Warmer.....	79
Torque Specification Chart.....	81





## Air Handling Group

---

REF NO	PART NO	QTY	DESCRIPTION
0010	706925	1	DUCT
0020	706927	1	SEAL
0030	704130	9	SCREW, HEX, 1/4-20X.5
0040	-----	1	PANEL, Duct, Exhaust
0050	703350	9	WASHER
0060	-----	1	PANEL, Box, Battery
0070	314661GS	2	CLIP
0080	-----	2	WASHER, Flat, #10, Fender -(*See footnote)

Not For  
Reproduction

---

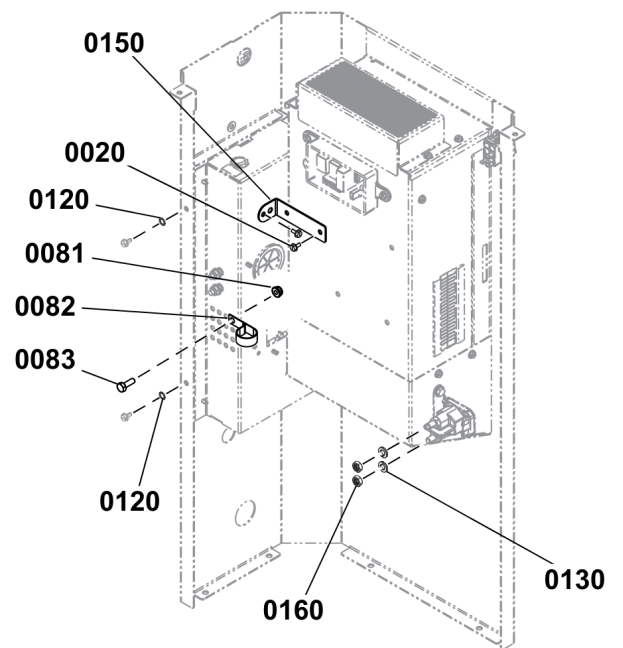
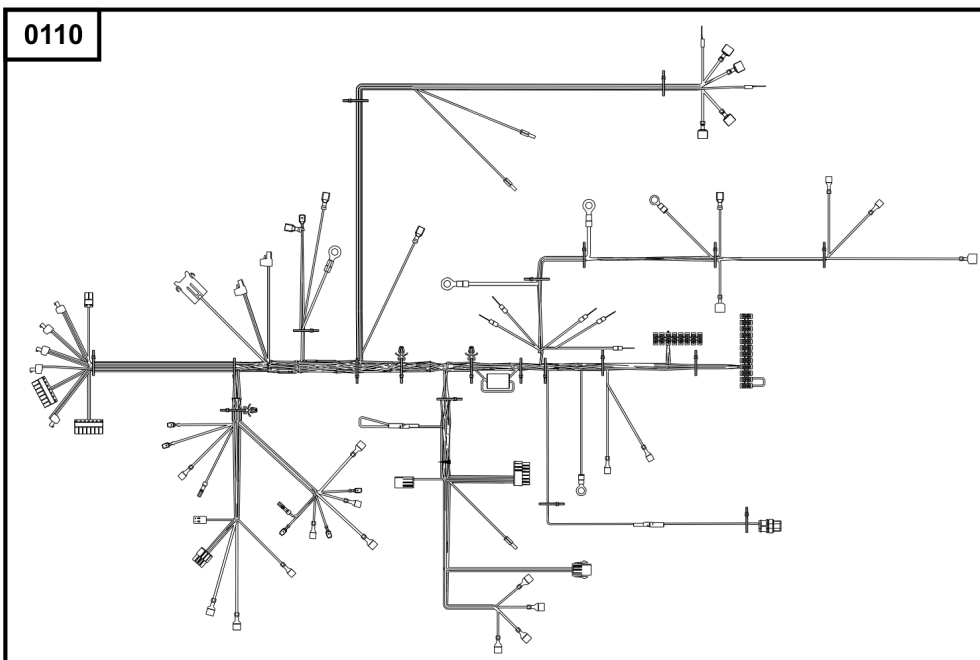
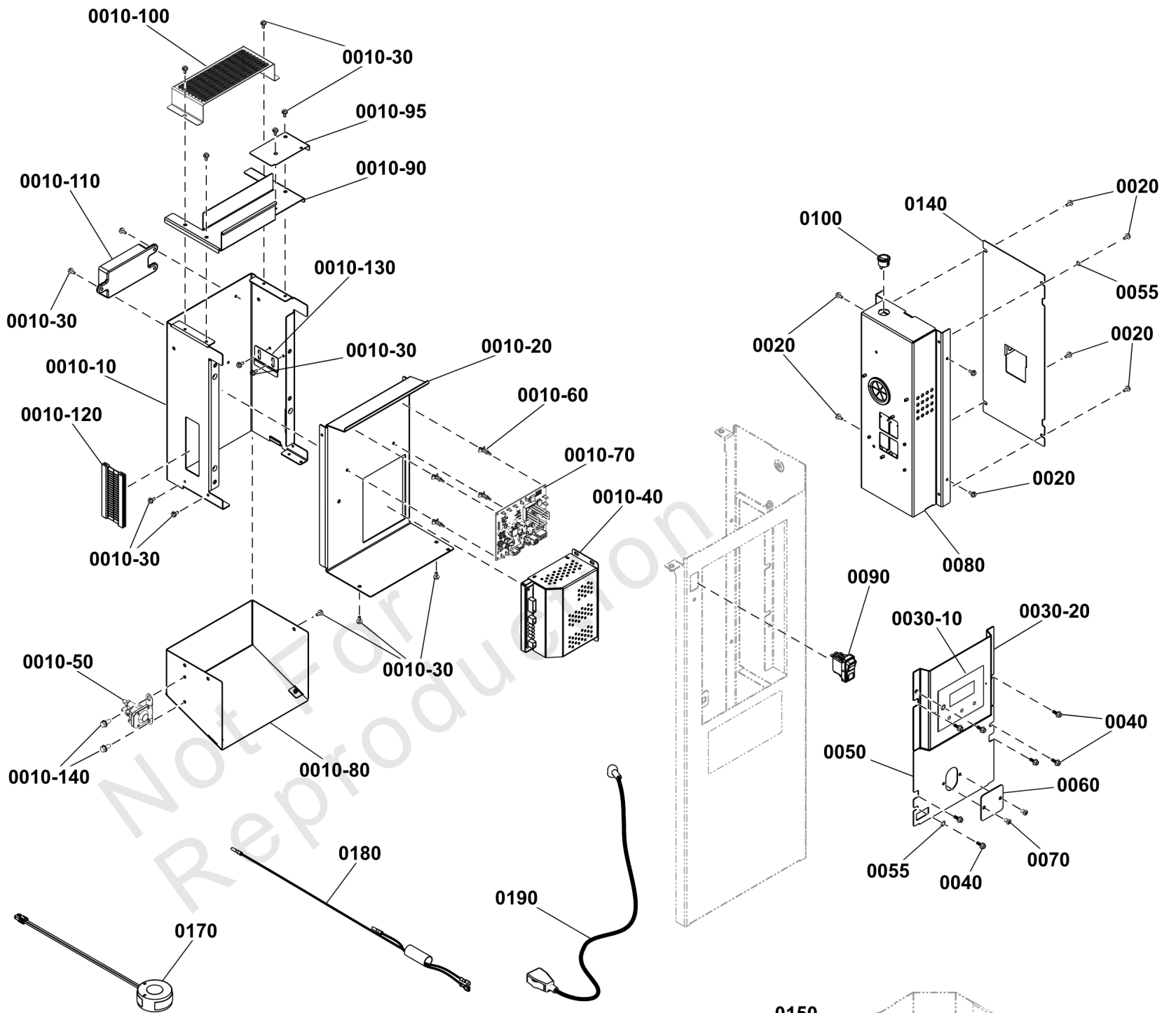
**Footnotes:**

Note:\* Items without part numbers are common fasteners and are available at your local hardware store.

# Control Panel Group

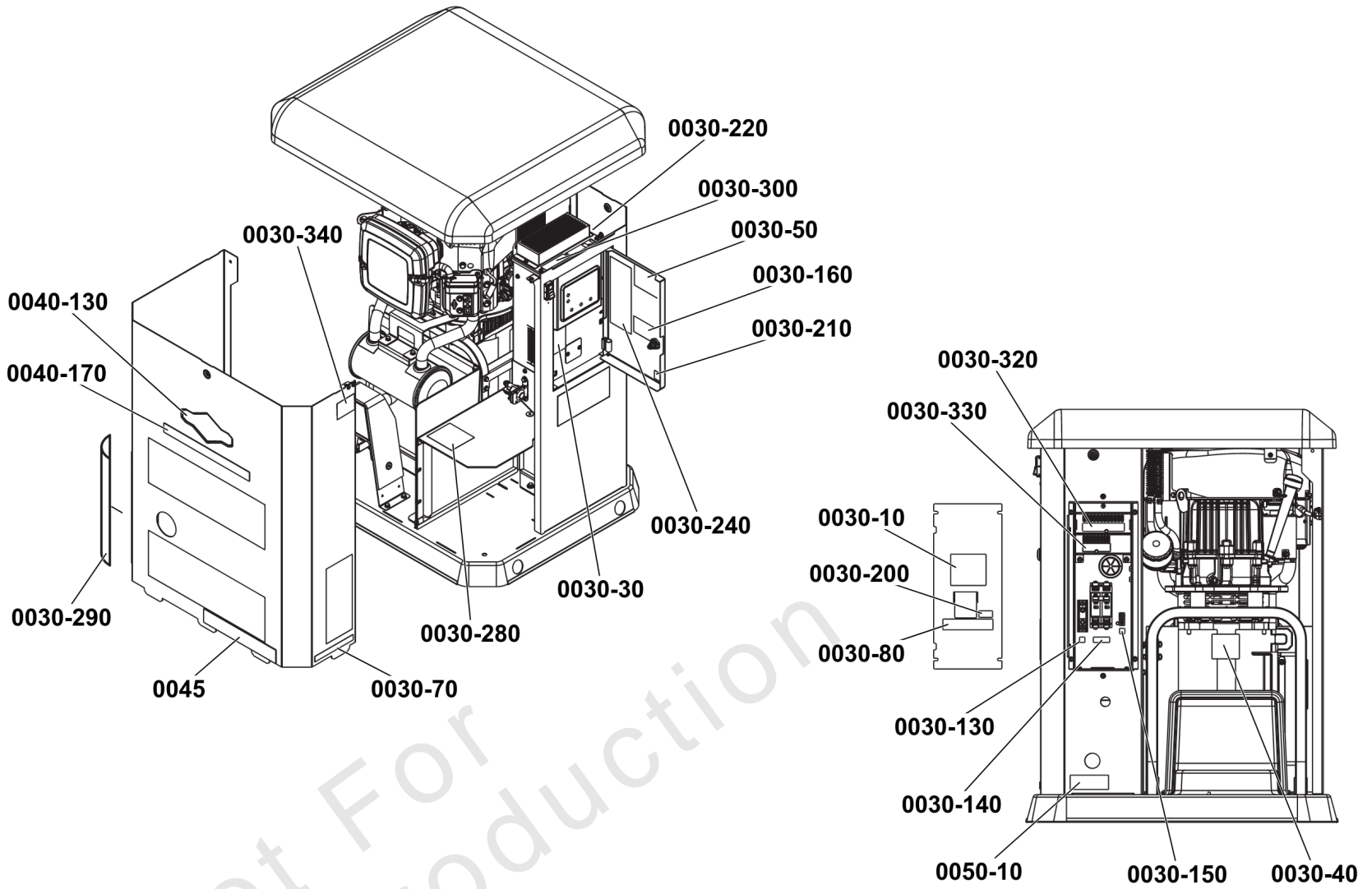
Note: Unless noted otherwise, use the standard torque specifications

Mfg. No: 040742-00



## Control Panel Group

REF NO	PART NO	QTY	DESCRIPTION
0010-10	-----	1	BOX, Control
0010-20	-----	1	DEFLECTOR
0010-30	194561GS	16	HHS, Trilobular, #10-32 x 3/8
0010-40	772376	1	CHARGER, Battery
0010-50	1755381YP	1	SOLENOID, L-BRACKET
0010-60	772379	4	SUPPORT, Circuit Board
0010-70	84010843	1	ASSEMBLY, AVR
0010-80	-----	1	BOX, Air Duct, Controller
0010-90	-----	1	PANEL
0010-95	-----	1	PLATE
0010-100	-----	1	DUCT, Control Box
0010-110	84010844	1	ASSEMBLY, Relay
0010-120	-----	2	GROMMET
0010-130	-----	1	BRACKET
0010-140	704130	2	SCREW, HEX, 1/4-20X.5
0020	194561GS	10	HHS, Trilobular, #10-32 x 3/8
0030-10	84007051	1	CONTROLLER
0030-20	-----	1	COVER
0040	-----	7	SCREW
0050	-----	1	COVER
0055	23762GS	3	WASHER
0060	-----	1	COVER
0070	-----	2	RIVET, Blind, 1/8 X 5/16
0080	-----	1	ASSEMBLY, Field Wire Box
0081	5025391SM	1	NUT, Hex Nylock, Flange, 1/4-20
0082	192669GS	1	Clamp, Hose, "J"
0083	5025010X6SM	1	BOLT, 1/4-20 X 3/4" G
0090	84010845	1	SWITCH, Rocker
0100	315551GS	1	SWITCH, Rocker
0110	84010846	1	HARNESS
0120	26850GS	2	WASHER, Ext. M6 - 1/4" Shakeproof
0130	22129GS	2	WASHER, Lock
0140	84010848	1	COVER
0150	84010847	1	BRACKET
0160	703331	2	NUT, 5/16-24
0170	772339	2	TRANSFORMER, Current, 150:5
0180	84004583	1	HARNESS
0190	84010849	1	HARNESS, Battery



## BRIGGS & STRATTON POWERPROTECT PP13

**NFPA 37.4.1.4(2)**  
 THIS GENERATOR HAS BEEN TESTED IN CONJUNCTION WITH AN INDEPENDENT FIRE TESTING LABORATORY FOR 18" (45.70 CM) MINIMUM CLEARANCE FROM COMBUSTIBLE CONSTRUCTION.

0040-130

0040-170

0045

0050-10

**0030**

**WARNING AVERTISSEMENT ADVERTENCIA**

Risk of electric shock, do not remove cover. No user serviceable parts inside. Refer servicing to qualified service personnel.

Risque de décharge électrique. Ne pas retirer le couvercle. Aucune pièce à entretenir par l'utilisateur à l'intérieur. Confier l'entretien à du personnel de service qualifié.

Riesgo de descarga eléctrica, no quite la cubierta. No hay partes que puedan ser reparadas por el usuario en el interior. Haga que personal calificado realice el servicio.

**WARNING AVERTISSEMENT ADVERTENCIA**

To reduce the risk of fire, replace only with same type and rating of fuse.

Pour réduire le risque d'incendie, remplacez avec un fusible de même type et classification.

15 AMP TYPE ATO

Para reducir el riesgo de incendio, reemplaza solamente con un fusible del mismo tipo y capacidad.

15AMP TIPO ATO

**WARNING AVERTISSEMENT ADVERTENCIA**

Hot surface could result in serious injury. Do not touch.

La surface chaude pourrait entraîner des blessures graves. Ne touchez pas.

La superficie caliente podría causar lesiones serias. No tocar.

**WARNING AVERTISSEMENT ADVERTENCIA**

Failure to read & follow Operator and Installation manuals could result in death or serious injury.

Ne pas lire et respecter les manuels de l'utilisateur et d'installation pourrait entraîner des blessures graves ou la mort.

No leer y seguir las indicaciones de los manuales de operación e instalación podría causar la muerte o lesiones serias.

RAINFOOF ENCLOSURE / ÉTANCHE À LA PLUIE ENCEINTE / GABINETE A PRUEBA DE LLUVIA

**0030-70**

GENERATOR SERVICE DISCONNECT / GÉNÉRATRICE ENTRETIEN DEBRANCHER / DESCONECTOR DEL GENERADOR

**0030-10**

15 AMP TYPE ATO

**0030-40**

15 AMP TYPE ATO

**0030-50**

Failure to read & follow Operator and Installation manuals could result in death or serious injury.

Ne pas lire et respecter les manuels de l'utilisateur et d'installation pourrait entraîner des blessures graves ou la mort.

No leer y seguir las indicaciones de los manuales de operación e instalación podría causar la muerte o lesiones serias.

**0030-80**

RAINFOOF ENCLOSURE / ÉTANCHE À LA PLUIE ENCEINTE / GABINETE A PRUEBA DE LLUVIA

**0030-130**

15 AMP TYPE ATO

**0030-30**

15 AMP TYPE ATO

**0030-160**

Generator Emergency Shutdown Switch

**0030-200**

Generator Emergency Shutdown Switch

**0030-210**

Generator Emergency Shutdown Switch

**0030-280**

Explosion of battery gases could result in death or serious injury. Keep all sources of ignition away from battery. Battery contains acid which could result in blindness or severe burns. Avoid contact with acid.

L'explosion des gaz de la batterie peut provoquer des blessures graves, voire la mort. Tenez toutes les sources d'allumage éloignées de la batterie. La batterie contient de l'acide qui pourrait causer la cécité ou de sévères brûlures. Évitez le contact avec l'acide.

La explosión de la batería podría causar la muerte o lesiones serias. Mantenga todas las fuentes de ignición lejos de la batería. La batería contiene ácido que podría causar ceguera o quemaduras serias. Evite el contacto con el ácido.

**0030-300**

Generator starts automatically which could result in serious injury. Place switch in off and disconnect battery prior to servicing.

La génératrice démarre automatiquement, ce qui pourrait entraîner des blessures graves. Placez le commutateur en position arrêt et débranchez la batterie avant d'effectuer un entretien.

El generador arranca automáticamente, lo que podría causar lesiones serias. Coloque el interruptor en apagado y desconecte la batería antes de realizar algún servicio.

**0030-320**

Generator Emergency Shutdown Switch

**0030-220**

Generator Emergency Shutdown Switch

**0030-240**

Generator Emergency Shutdown Switch

**0030-290**

Generator Emergency Shutdown Switch

**0030-120**

Generator Emergency Shutdown Switch

**0030-150**

Generator Emergency Shutdown Switch

**0030-140**

Generator Emergency Shutdown Switch

**0030-130**

Generator Emergency Shutdown Switch

**0030-120**

Generator Emergency Shutdown Switch

**0030-150**

Generator Emergency Shutdown Switch

**0030-140**

Generator Emergency Shutdown Switch

**0030-130**

Generator Emergency Shutdown Switch

**0030-120**

Generator Emergency Shutdown Switch

**0030-150**

Generator Emergency Shutdown Switch

**0030-140**

Generator Emergency Shutdown Switch

**0030-130**

Generator Emergency Shutdown Switch

**0030-120**

Generator Emergency Shutdown Switch

**0030-150**

Generator Emergency Shutdown Switch

**0030-140**

Generator Emergency Shutdown Switch

**0030-130**

Generator Emergency Shutdown Switch

**0030-120**

Generator Emergency Shutdown Switch

**0030-150**

Generator Emergency Shutdown Switch

**0030-140**

Generator Emergency Shutdown Switch

**0030-130**

Generator Emergency Shutdown Switch

**0030-120**

Generator Emergency Shutdown Switch

**0030-150**

Generator Emergency Shutdown Switch

**0030-140**

Generator Emergency Shutdown Switch

**0030-130**

Generator Emergency Shutdown Switch

**0030-120**

Generator Emergency Shutdown Switch

**0030-150**

Generator Emergency Shutdown Switch

**0030-140**

Generator Emergency Shutdown Switch

**0030-130**

Generator Emergency Shutdown Switch

**0030-120**

Generator Emergency Shutdown Switch

**0030-150**

Generator Emergency Shutdown Switch

**0030-140**

Generator Emergency Shutdown Switch

**0030-130**

Generator Emergency Shutdown Switch

**0030-120**

Generator Emergency Shutdown Switch

**0030-150**

Generator Emergency Shutdown Switch

**0030-140**

Generator Emergency Shutdown Switch

**0030-130**

Generator Emergency Shutdown Switch

**0030-120**

Generator Emergency Shutdown Switch

**0030-150**

Generator Emergency Shutdown Switch

**0030-140**

Generator Emergency Shutdown Switch

**0030-130**

Generator Emergency Shutdown Switch

**0030-120**

Generator Emergency Shutdown Switch

**0030-150**

Generator Emergency Shutdown Switch

**0030-140**

Generator Emergency Shutdown Switch

**0030-130**

Generator Emergency Shutdown Switch

**0030-120**

Generator Emergency Shutdown Switch

**0030-150**

Generator Emergency Shutdown Switch

**0030-140**

Generator Emergency Shutdown Switch

**0030-130**

Generator Emergency Shutdown Switch

**0030-120**

Generator Emergency Shutdown Switch

**0030-150**

Generator Emergency Shutdown Switch

**0030-140**

Generator Emergency Shutdown Switch

**0030-130**

Generator Emergency Shutdown Switch

**0030-120**

Generator Emergency Shutdown Switch

**0030-150**

Generator Emergency Shutdown Switch

**0030-140**

Generator Emergency Shutdown Switch

**0030-130**

Generator Emergency Shutdown Switch

**0030-120**

Generator Emergency Shutdown Switch

**0030-150**

Generator Emergency Shutdown Switch

**0030-140**

Generator Emergency Shutdown Switch

**0030-130**

Generator Emergency Shutdown Switch

**0030-120**

Generator Emergency Shutdown Switch

**0030-150**

Generator Emergency Shutdown Switch

**0030-140**

Generator Emergency Shutdown Switch

**0030-130**

Generator Emergency Shutdown Switch

**0030-120**

Generator Emergency Shutdown Switch

**0030-150**

Generator Emergency Shutdown Switch

**0030-140**

Generator Emergency Shutdown Switch

**0030-130**

Generator Emergency Shutdown Switch

**0030-120**

Generator Emergency Shutdown Switch

**0030-150**

Generator Emergency Shutdown Switch

**0030-140**

Generator Emergency Shutdown Switch

**0030-130**

Generator Emergency Shutdown Switch

**0030-120**

Generator Emergency Shutdown Switch

**0030-150**

Generator Emergency Shutdown Switch

**0030-140**

Generator Emergency Shutdown Switch

**0030-130**

Generator Emergency Shutdown Switch

**0030-120**

Generator Emergency Shutdown Switch

**0030-150**

Generator Emergency Shutdown Switch

**0030-140**

Generator Emergency Shutdown Switch

**0030-130**

Generator Emergency Shutdown Switch

**0030-120**

Generator Emergency Shutdown Switch

**0030-150**

Generator Emergency Shutdown Switch

**0030-140**

Generator Emergency Shutdown Switch

**0030-130**

Generator Emergency Shutdown Switch

**0030-120**

Generator Emergency Shutdown Switch

**0030-150**

Generator Emergency Shutdown Switch

**0030-140**

Generator Emergency Shutdown Switch

**0030-130**

Generator Emergency Shutdown Switch

**0030-120**

Generator Emergency Shutdown Switch

**0030-150**

Generator Emergency Shutdown Switch

**0030-140**

Generator Emergency Shutdown Switch

**0030-130**

Generator Emergency Shutdown Switch

**0030-120**

Generator Emergency Shutdown Switch

**0030-150**

Generator Emergency Shutdown Switch

**0030-140**

Generator Emergency Shutdown Switch

**0030-130**

Generator Emergency Shutdown Switch

**0030-120**

Generator Emergency Shutdown Switch

**0030-150**

Generator Emergency Shutdown Switch

**0030-140**

Generator Emergency Shutdown Switch

**0030-130**

Generator Emergency Shutdown Switch

**0030-120**

Generator Emergency Shutdown Switch

**0030-150**

Generator Emergency Shutdown Switch

**0030-140**

Generator Emergency Shutdown Switch

**0030-130**

Generator Emergency Shutdown Switch

**0030-120**

Generator Emergency Shutdown Switch

**0030-150**

Generator Emergency Shutdown Switch

**0030-140**

Generator Emergency Shutdown Switch

**0030-130**

Generator Emergency Shutdown Switch

**0030-120**

Generator Emergency Shutdown Switch

**0030-150**

Generator Emergency Shutdown Switch

**0030-140**

Generator Emergency Shutdown Switch

**0030-130**

Generator Emergency Shutdown Switch

**0030-120**

Generator Emergency Shutdown Switch

**0030-150**

Generator Emergency Shutdown Switch

**0030-140**

Generator Emergency Shutdown Switch

**0030-130**

Generator Emergency Shutdown Switch

**0030-120**

Generator Emergency Shutdown Switch

**0030-150**

Generator Emergency Shutdown Switch

**0030-140**

Generator Emergency Shutdown Switch

**0030-130**

Generator Emergency Shutdown Switch

**0030-120**

Generator Emergency Shutdown Switch

**0030-150**

Generator Emergency Shutdown Switch

**0030-140**

Generator Emergency Shutdown Switch

**0030-130**

Generator Emergency Shutdown Switch

**0030-120**

Generator Emergency Shutdown Switch

**0030-150**

Generator Emergency Shutdown Switch

**0030-140**

Generator Emergency Shutdown Switch

**0030-130**

Generator Emergency Shutdown Switch

**0030-120**

Generator Emergency Shutdown Switch

**0030-150**

Generator Emergency Shutdown Switch

**0030-140**

Generator Emergency Shutdown Switch

**0030-130**

Generator Emergency Shutdown Switch

**0030-120**

Generator Emergency Shutdown Switch

**0030-150**

Generator Emergency Shutdown Switch

**0030-140**

Generator Emergency Shutdown Switch

**0030-130**

Generator Emergency Shutdown Switch

**0030-120**

Generator Emergency Shutdown Switch

**0030-150**

Generator Emergency Shutdown Switch

**0030-140**

Generator Emergency Shutdown Switch

**0030-130**

Generator Emergency Shutdown Switch

**0030-120**

Generator Emergency Shutdown Switch

**0030-150**

Generator Emergency Shutdown Switch

**0030-140**

Generator Emergency Shutdown Switch

**0030-130**

Generator Emergency Shutdown Switch

**0030-120**

Generator Emergency Shutdown Switch

**0030-150**

Generator Emergency Shutdown Switch

**0030-140**

Generator Emergency Shutdown Switch

**0030-130**

Generator Emergency Shutdown Switch

**0030-120**

Generator Emergency Shutdown Switch

**0030-150**

Generator Emergency Shutdown Switch

**0030-140**

Generator Emergency Shutdown Switch

**0030-130**

Generator Emergency Shutdown Switch

**0030-120**

Generator Emergency Shutdown Switch

**0030-150**

Generator Emergency Shutdown Switch

**0030-140**

Generator Emergency Shutdown Switch

**0030-130**

Generator Emergency Shutdown Switch

**0030-120**

Generator Emergency Shutdown Switch

**0030-150**

Generator Emergency Shutdown Switch

**0030-140**

Generator Emergency Shutdown Switch

**0030-130**

Generator Emergency Shutdown Switch

**0030-120**

Generator Emergency Shutdown Switch

**0030-150**

Generator Emergency Shutdown Switch

**0030-140**

Generator Emergency Shutdown Switch

**0030-130**

Generator Emergency Shutdown Switch

**0030-120**

Generator Emergency Shutdown Switch

**0030-150**

Generator Emergency Shutdown Switch

**0030-140**

Generator Emergency Shutdown Switch

**0030-130**

Generator Emergency Shutdown Switch

**0030-120**

Generator Emergency Shutdown Switch

**0030-150**

Generator Emergency Shutdown Switch

**0030-140**

Generator Emergency Shutdown Switch

**0030-130**

Generator Emergency Shutdown Switch

**0030-120**

Generator Emergency Shutdown Switch

**0030-150**

Generator Emergency Shutdown Switch

**0030-140**

Generator Emergency Shutdown Switch

**0030-130**

Generator Emergency Shutdown Switch

**0030-120**

Generator Emergency Shutdown Switch

**0030-150**

Generator Emergency Shutdown Switch

**0030-140**

Generator Emergency Shutdown Switch

**0030-130**

Generator Emergency Shutdown Switch

**0030-120**

Generator Emergency Shutdown Switch

**0030-150**

Generator Emergency Shutdown Switch

**0030-140**

Generator Emergency Shutdown Switch

**0030-130**

Generator Emergency Shutdown Switch

**0030-120**

Generator Emergency Shutdown Switch

**0030-150**

Generator Emergency Shutdown Switch

**0030-140**

Generator Emergency Shutdown Switch

**0030-130**

Generator Emergency Shutdown Switch

**0030-120**

Generator Emergency Shutdown Switch

**0030-150**

Generator Emergency Shutdown Switch

**0030-140**

Generator Emergency Shutdown Switch

**0030-130**

Generator Emergency Shutdown Switch

**0030-120**

Generator Emergency Shutdown Switch

**0030-150**

Generator Emergency Shutdown Switch

**0030-140**

Generator Emergency Shutdown Switch

**0030-130**

Generator Emergency Shutdown Switch

**0030-120**

Generator Emergency Shutdown Switch

**0030-150**

Generator Emergency Shutdown Switch

**0030-140**

Generator Emergency Shutdown Switch

**0030-130**

Generator Emergency Shutdown Switch

**0030-120**

Generator Emergency Shutdown Switch

**0030-150**

Generator Emergency Shutdown Switch

**0030-140**

Generator Emergency Shutdown Switch

**0030-130**

Generator Emergency Shutdown Switch

**0030-120**

Generator Emergency Shutdown Switch

**0030-150**

Generator Emergency Shutdown Switch

**0030-140**

Generator Emergency Shutdown Switch

**0030-130**

Generator Emergency Shutdown Switch

**0030-120**

Generator Emergency Shutdown Switch

**0030-150**

Generator Emergency Shutdown Switch

**0030-140**

Generator Emergency Shutdown Switch

**0030-130**

Generator Emergency Shutdown Switch

**0030-120**

Generator Emergency Shutdown Switch

**0030-150**

Generator Emergency Shutdown Switch

**0030-140**

Generator Emergency Shutdown Switch

**0030-130**

Generator Emergency Shutdown Switch

**0030-120**

Generator Emergency Shutdown Switch

**0030-150**

Generator Emergency Shutdown Switch

**0030-140**

Generator Emergency Shutdown Switch

**0030-130**

Generator Emergency Shutdown Switch

**0030-120**

Generator Emergency Shutdown Switch

**0030-150**

Generator Emergency Shutdown Switch

**0030-140**

Generator Emergency Shutdown Switch

**0030-130**

Generator Emergency Shutdown Switch

**0030-120**

Generator Emergency Shutdown Switch

**0030-150**

Generator Emergency Shutdown Switch

**0030-140**

Generator Emergency Shutdown Switch

**0030-130**

Generator Emergency Shutdown Switch

**0030-120**

Generator Emergency Shutdown Switch

**0030-150**

Generator Emergency Shutdown Switch

**0030-140**

Generator Emergency Shutdown Switch

**0030-130**

Generator Emergency Shutdown Switch

**0030-120**

Generator Emergency Shutdown Switch

**0030-150**

Generator Emergency Shutdown Switch

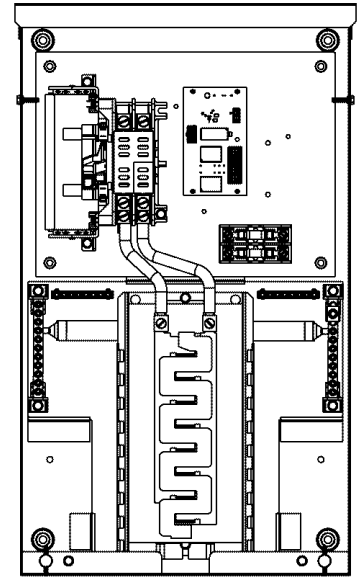
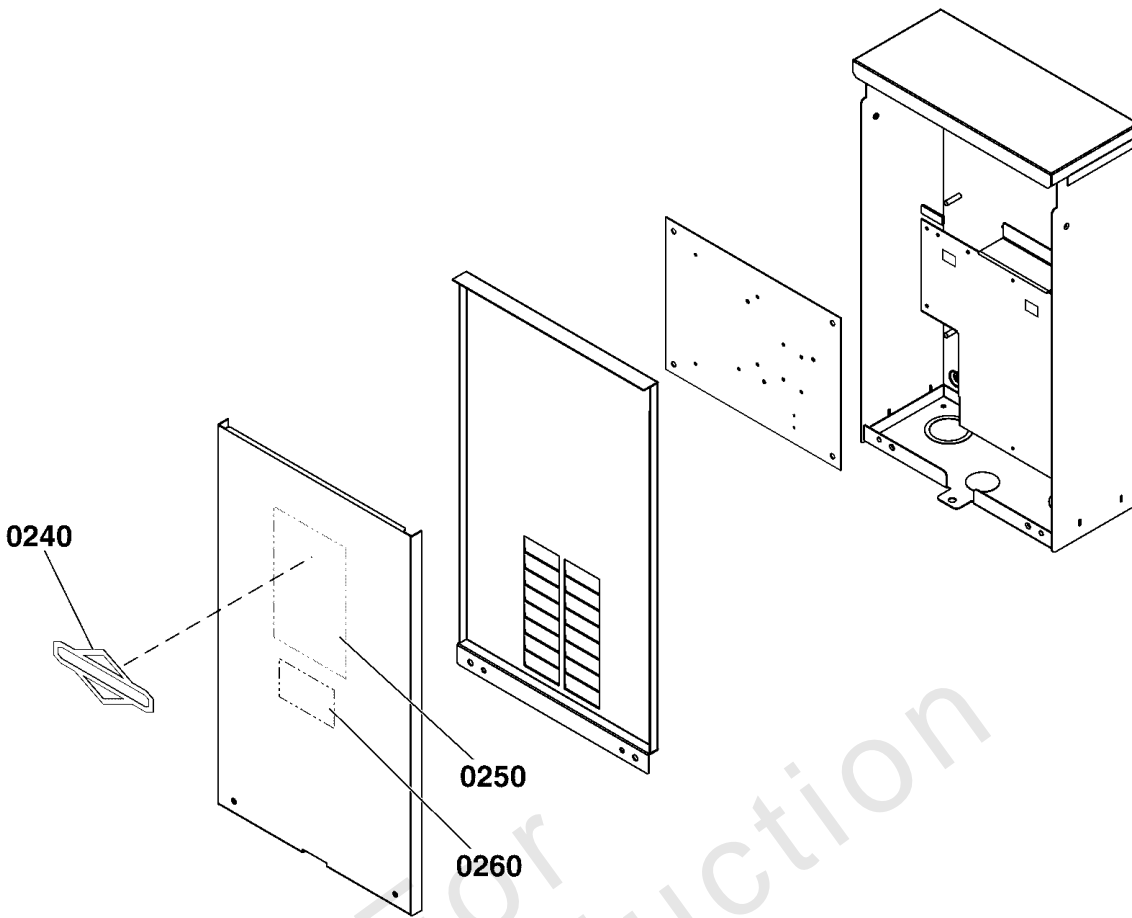
**0030-140**

Generator Emergency Shutdown Switch

**0030-1**

## Decals Group

REF NO	PART NO	QTY	DESCRIPTION
0030	84010842	1	DECAL, Warning, Sheet -(Includes items 0030-10 thru 0030-340)
0030-10	-----	1	DECAL-WARNING, SHOCK
0030-30	-----	1	DECAL-WARNING, FUSE
0030-40	-----	2	DECAL-WARNING, HOT SURFACE
0030-50	-----	1	DECAL, Warning, Manual
0030-70	-----	1	DECAL-RAINPROOF ENCLOSURE
0030-80	-----	2	DECAL-DISCONNECT
0030-120	-----	1	DECAL, External Power Switch
0030-130	-----	1	DECAL, Neutral
0030-140	-----	1	DECAL, L1/L2
0030-150	-----	1	DECAL, Ground
0030-160	-----	1	DECAL, Warning
0030-200	-----	1	DECAL, FCC, ICES-3
0030-210	-----	1	DECAL, MOR, AUBURN
0030-220	-----	1	DECAL, Fuel Selection
0030-240	-----	1	DECAL, Notice Fuel Requirements
0030-280	-----	1	DECAL, Warning, Battery
0030-290	-----	1	DECAL, Warning, Exhaust
0030-300	-----	1	DECAL, Warning, Auto Start
0030-320	-----	1	DECAL, Terminal Strip
0030-330	-----	1	DECAL, Terminal Strip
0030-340	-----	1	DECAL, Emergency Shutdown
0040-130	-----	1	DECAL
0040-170	-----	1	DECAL
0045	-----	1	DECAL
0050-10	-----	1	DECAL, Clearance From Combustible Construction



0240

Briggs & Stratton Power Products Group, LLC  
**AUTOMATIC TRANSFER SWITCH**  
 ENCLOSED PANELBOARD

RATED VOLTAGE 250 VAC DATE OF MANUFACTURE  
 RATED CURRENT 100 AMP

THESE DISVICES ARE INTENDED FOR USE ONLY ON A 100% VAC SINGLE PHASE THREE WIRE SYSTEM  
 SUITABLE FOR USE IN ACCORDANCE WITH ARTICLE 100 OF THE NATIONAL ELECTRICAL CODE (NEC/NFPA 70).

**AUTOMATIC TRANSFER SWITCH FOR USE ON STANDBY SYSTEMS**  
 Suitable for control of motors, electric discharge lamps, tungsten filament lamps, and electrical heating equipment with the sum of the motor full load ampere ratings and the ampere rating of other loads does not exceed the rating of the switch, and the long-run load does not exceed 50 percent of the switch rating.

**AUTOMATIC SEQUENCE**

UTILITY FAIL - Utility voltage sensor senses when utility voltage is below 70% of nominal.  
 Engine start sequence is initiated after 6 second time delay.

ENGINE WARM-UP - Time delay to allow engine warm-up before transfer load at 20 seconds or 50 seconds with optional cold weather package.

TRANSFER - Transfer from utility to standby supply occurs after standby voltage is above set levels. Minimum engine run time is 4 minutes after transfer. Voltage pickup level is 80% of nominal voltage.

UTILITY PICKUP - Remainder from standby to utility supply 10 seconds after utility voltage is above pickup level.

RETRANSFER - Remainder from standby to utility supply 10 seconds after utility voltage is above pickup level.

ENGINE COOL DOWN - Engine will run for 60 seconds after retransfer.

Testing of Automatic Transfer Switch - Turn the main service disconnect switch to the "OFF" position. The automatic sequence will follow. To go back to utility power, turn the main service disconnect to the "ON" position.

Consult Owner's Manual for explanation of Transfer System operation and features.

Enclosure is type NEMA 3R, suitable for indoor and outdoor installation.

Wiring to generator must be enclosed in conduit:  
 Max single conductor size 50A short-circuit current rating is limited to the lowest interrupting rating of any installed circuit breaker.  
 Suitable branch circuit breaker CMAA type BPT with 10,000 A short circuit rating min.  
 Connect utility and standby generator supply as shown.

Connector tightening torques shall be as follows:

UTILITY CONNECTION	LB IN.
TRANSFER SWITCH	50
NEUTRAL AND GROUND BARS	#14 - #10 AWG 20
CONDUCTOR CONNECTION	#6 - #4 AWG 35

Use oxide inhibitor on all aluminum terminations. All terminal and bus lugs are suitable for copper or aluminum wire of 60/75 °C rating. 205 108

0250

Circuit Directory  
 Répertoire du circuit  
 Directorio de circuitos

1	2
3	4
5	6
7	8
9	10
11	12
13	14
15	16

80016 108

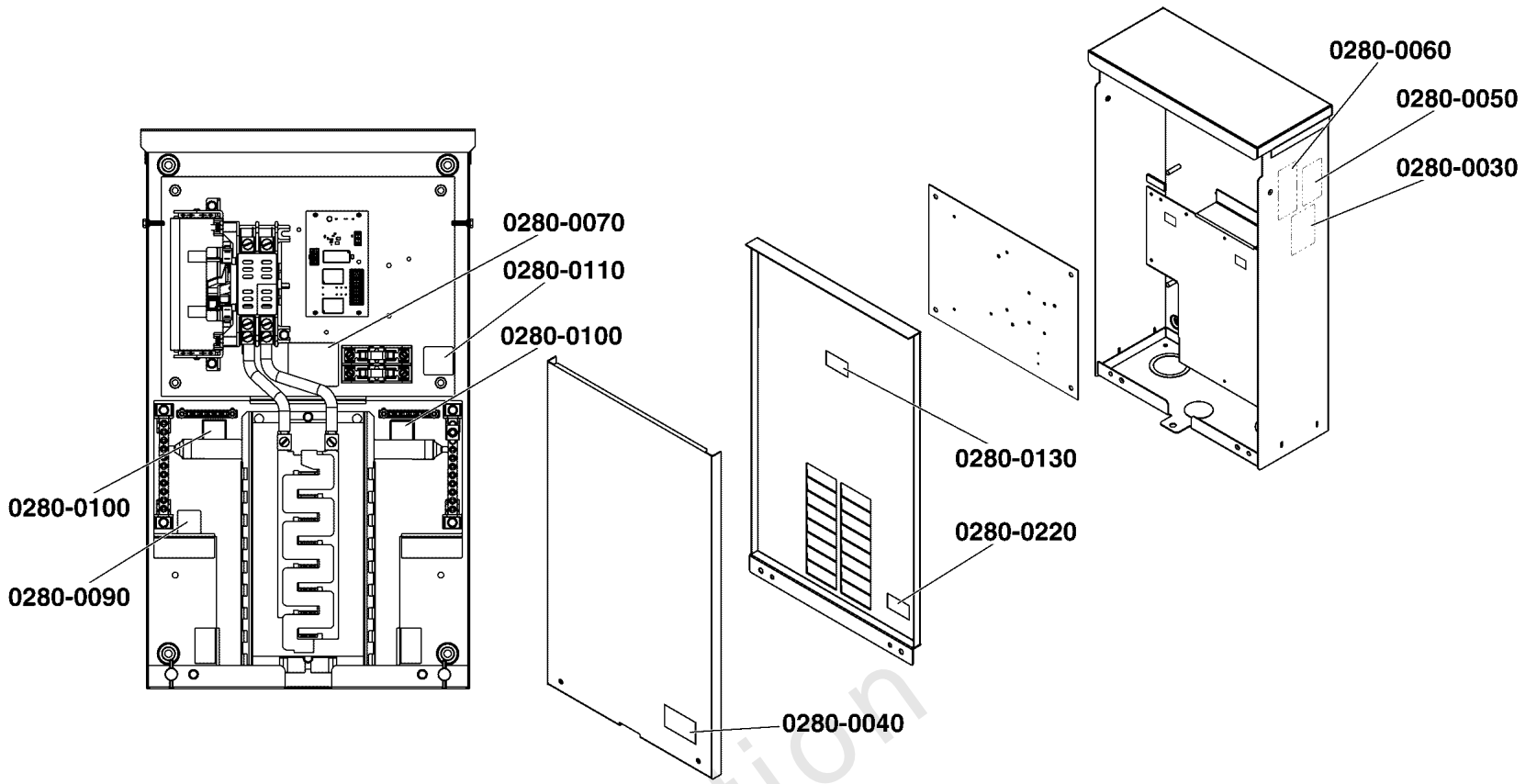
0260

## *Decals Group - ATS Informational*

---

REF NO	PART NO	QTY	DESCRIPTION
0240	-----	1	DECAL, B&S Logo
0250	205108GS	1	DECAL, 100A, ATS
0260	-----	1	DECAL, Circuit Directory

Not For Reproduction



<p><b>0280</b></p> <p>Suitable for use as service equipment in Canada Peut être utilisé comme équipement de réparation au Canada Adequado para uso como equipo de servicio en Canadá</p>	<p><b>NOTICE AVIS AVISO</b></p> <p>A-A Terminals rated 1 AMP, 24 Volt AC B-B Terminals rated 1 AMP, 120 Volt AC Pilot duty. Bornes A-A pour une tension nominale de 1 A, 24 V c.a. Bornes B-B pour une tension de 1 A, 120 V c.a. Service du pilote. Terminales calibrados A-A 1 Amperio, 24 Voltios CA Terminales calibrados B-B 1 Amperio, 120 Voltios CA Relé auxiliar.</p>	<p>Continuous load current not to exceed 80% of circuit breaker rating Le courant de charge en continu ne dépasse pas 80% du courant nominal du disjoncteur La carga de corriente permanente no debe exceder el 80% del calibre del interruptor</p>	<p>When protected by one of the type circuit breakers described below, rated not more than 125 amperes, this transfer switch is rated for use on a circuit capable of delivering not more than 22,000 rms symmetrical, 240 volts max. Lorsqu'il est protégé par l'un des types de disjoncteurs de circuit décrits ci-dessous, avec une valeur nominale ne dépassant pas 125 A, cet interrupteur de transfert est coté pour une utilisation sur un circuit capable de fournir au maximum un courant de 22 000 RMS symétrique, avec un voltage de 240 V maximum. Cuando se protege con uno de los tipos de interruptores que se describen a continuación, con un calibre no mayor a 125 amperios, este interruptor de transferencia está calibrado para ser usado en un circuito capaz de suministrar no más de 22,000 rms simétricos, máximo 240 voltios. Cutler-Hammer Type QCHW Cutler-Hammer Type G8, GB, GC, GHC Cutler-Hammer Type FD, GD, HFD Square D Type QDM1, QDM2, QDM1-VH, QDM2-VH Square D Type Q2-H, Q2H, QDL GE Type THHQ8, THHQ, THQL, THOD, THODL, THQDL Siemens Type HED4</p>	<p>Utility Disconnect Fonctionnalité Débrancher Utilidad Desconectar</p>
<p><b>0280-0010</b></p> <p><b>WARNING AVERTISSEMENT ADVERTENCIA</b> Risk of electric shock, do not remove cover. No user serviceable parts inside. Refer servicing to qualified service personnel. Risque de décharge électrique. Ne pas retirer la couverture. Aucune pièce à entretenir par l'utilisateur à l'intérieur. Confier l'entretien à du personnel de service qualifié. Riesgo de descarga eléctrica. no quite la cubierta. No hay partes que puedan ser reparadas por el usuario en el interior. Haga que personal calificado realice el servicio.</p>	<p><b>0280-0050</b></p> <p><b>NOTICE AVIS AVISO</b></p> <p>Wire all Class 2 circuits using types CL3, CL3P, CL3R or equivalent conductors. OR Wire all circuits as Class 1 or Electric Light and Power circuits. Lier tous les circuits électrique de Classe 2 en utilisant des conducteurs CL3, CL3P, CL3R ou équivalent. OU Lier tous les circuits électriques en tant que Classe 1 ou comme lumière électrique ou circuits d'alimentation. Conecte todos los circuitos de clase 2 al usar conductores de tipo CL3, CL3P, CL3R o equivalentes. O Conecte todos los circuitos como clase 1 o luz eléctrica y circuitos de energía.</p>	<p><b>0280-0080</b></p> <p><b>0280-0090</b></p>	<p><b>0280-0140</b></p> <p>When protected by one of the type circuit breakers described below, rated not more than 250 amperes, this transfer switch is rated for use on a circuit capable of delivering not more than 25,000 rms symmetrical, 240 volts max. Lorsqu'il est protégé par l'un des types de disjoncteurs de circuit décrits ci-dessous, avec une valeur nominale ne dépassant pas 250 A, cet interrupteur de transfert est coté pour une utilisation sur un circuit capable de fournir au maximum un courant de 25 000 RMS symétrique, avec un voltage de 240 V maximum. Cuando se protege con uno de los tipos de interruptores que se describen a continuación, con un calibre no mayor a 250 amperios, este interruptor de transferencia está calibrado para ser usado en un circuito capaz de suministrar no más de 25,000 rms simétricos, máximo 240 voltios. Cutler-Hammer Type BWH, CSR, Cutler-Hammer Type FD, HFD, Cutler-Hammer Type JDB, JD, HJD, Square D Type QDM2, QDM2-VH, Square D Type Q2-H, Q2H, QDL, GE Type THQD, THQDL, GE Type SF, TF, TFK</p>	<p><b>0280-0180</b></p>
<p><b>0280-0020</b></p> <p><b>WARNING AVERTISSEMENT ADVERTENCIA</b> Electric shock hazard could result in death or serious injury. Do not install or remove current transformer when generator is operating. Place generator in off position and remove controller fuse before servicing. Risque de choc électrique pouvant provoquer des blessures graves, voire la mort. Ne pas installer ou retirer le transformateur de courant lorsque la génératrice est en fonction. Placez la génératrice à la position d'arrêt et retirez le fusible de contrôle avant tout entretien. Riesgo de descarga eléctrica que puede resultar en muerte o lesión seria. No instale ni retire el transformador cuando el generador está en funcionamiento. Apague el generador y retire el fusible del controlador antes de reparar.</p>	<p><b>0280-0060</b></p> <p>Replace with UL listed fuse of same type and rating 600 volt, 10 amp. Remplacez avec un fusible homologue UL de même type et classification de 600 volts, 10 amp. Reemplace con un fusible certificado por UL del mismo tipo y clasificación: 600 voltios, 10 amperios</p>	<p><b>0280-0100</b></p> <p>Utility 240 VAC Fonctionnalité 240 V CA Utilidad 240 VAC</p>	<p><b>0280-0150</b></p> <p>Generator Service Disconnect Génératrice Réparation Débrancher Generador Servicio Desconectar</p>	<p><b>0280-0190</b></p>
<p><b>0280-0030</b></p> <p><b>WARNING AVERTISSEMENT ADVERTENCIA</b> Electric shock hazard could result in death or serious injury. Disconnect all sources of supply voltage before servicing. Risque de choc électrique pouvant provoquer des blessures graves, voire la mort. Débranchez toutes les sources de tension électrique avant l'entretien. Riesgo de descarga eléctrica que puede resultar en muerte o lesión seria. Desconecte todas las fuentes de energía antes de reparar.</p>	<p><b>0280-0070</b></p>	<p><b>0280-0110</b></p> <p>Suitable for use as service equipment except in Canada Peut être utilisé comme équipement de réparation à l'exception du Canada Adequado para uso como equipo de servicio excepto en Canadá</p>	<p><b>0280-0160</b></p> <p>Service Disconnect Réparation Débrancher Servicio Desconectar</p>	<p><b>0280-0200</b></p>
<p><b>0280-0040</b></p>	<p><b>0280-0120</b></p> <p>Reinstall Barrier After Service or Maintenance Réinstaller la barrière Après la réparation ou l'entretien Reinstalar barreras Después del servicio o Mantenimiento</p>	<p><b>0280-0130</b></p>	<p><b>0280-0170</b></p>	<p><b>0280-0210</b></p> <p><b>WARNING AVERTISSEMENT ADVERTENCIA</b> Cancer and Reproductive Harm www.P65Warnings.ca.gov Cancer et Troubles de l'Appareil Reproducteur www.P65Warnings.ca.gov Cáncer y Problemas Reproductivos www.P65Warnings.ca.gov</p>



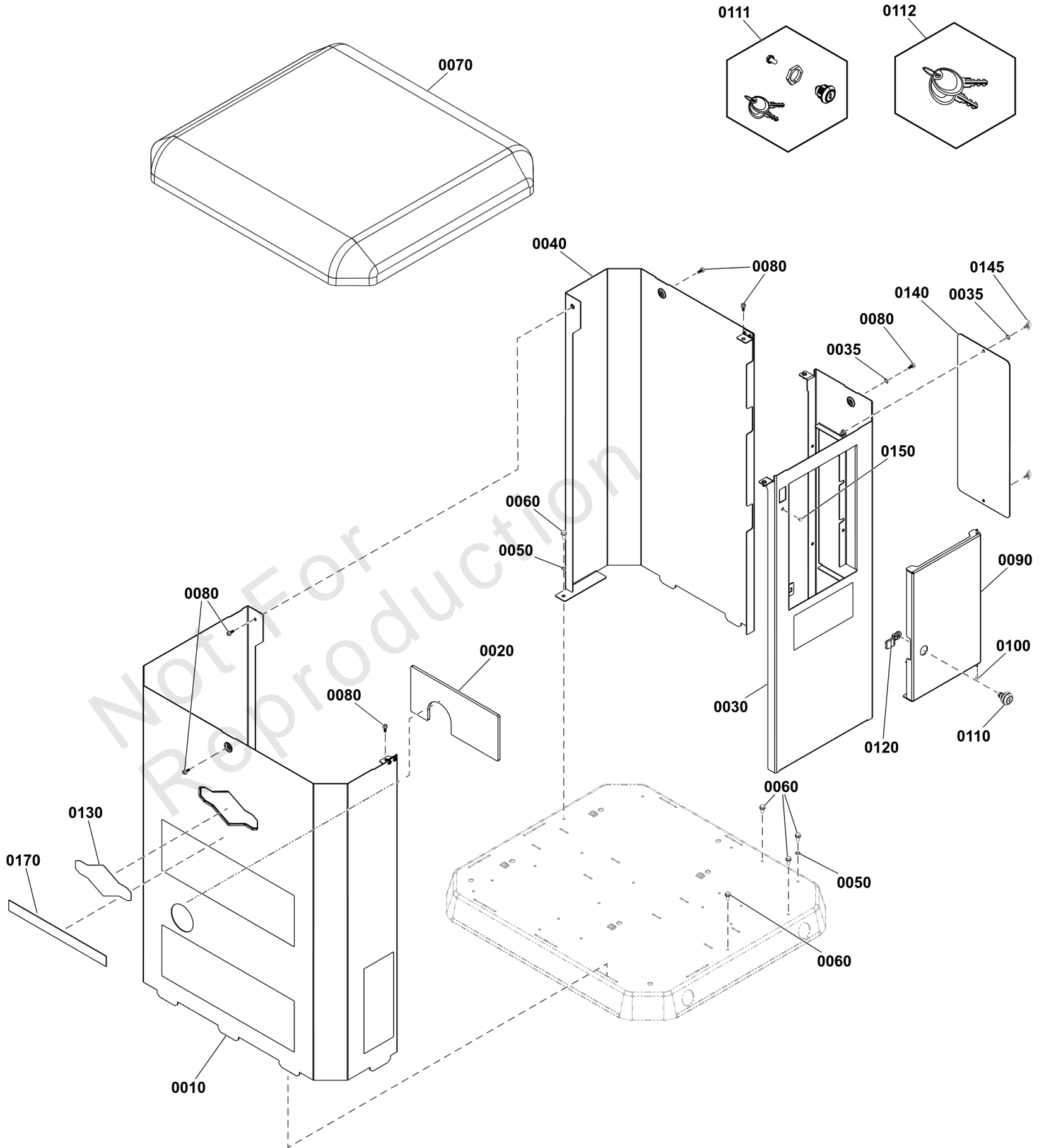
## Decals Group - ATS Warning

REF NO	PART NO	QTY	DESCRIPTION
0280	770133	1	DECAL SHEET - WARNINGS -(Includes items 0280-0010 thru 0280-0220)
0280-0010	-----	1	DECAL, Suitable as SRV Equipment, Canada
0280-0020	-----	1	DECAL-WARNING, SHOCK
0280-0030	-----	1	DECAL-WARNING, ELECTRIC SHOCK
0280-0040	-----	1	DECAL-WARNING, ELECTRIC SHOCK
0280-0050	-----	1	DECAL, Notice, Contacts Rated
0280-0060	-----	1	DECAL, Notice, Wire Circuits
0280-0070	-----	1	DECAL-FUSE REPLACEMENT
0280-0080	-----	1	DECAL, Breaker, Circuit
0280-0090	-----	1	DECAL-NEUTRAL
0280-0100	-----	2	DECAL-GROUND
0280-0110	-----	1	DECAL, Utility 240VAC
0280-0120	-----	1	DECAL, Suitable as Service Equipment
0280-0130	-----	1	DECAL, Reinstall Barrier
0280-0140	-----	1	DECAL, Approved Circuit Breakers, 100A
0280-0150	-----	1	DECAL, Approved Circuit Breakers, 200A
0280-0160	-----	1	DECAL, Generator Service Disconnect
0280-0170	-----	2	DECAL, Service Disconnect
0280-0180	-----	2	DECAL, Disconnect, Utility
0280-0190	-----	2	DECAL, Connection, Utility
0280-0200	-----	1	DECAL, Connection, Generator
0280-0210	-----	1	DECAL, Location
0280-0220	-----	1	DECAL, Warning -(The installation of this decal is required for units manufactured after 08/30/2018 and sold in the state of California.)

# Enclosure Group

Note: Unless noted otherwise, use the standard torque specifications

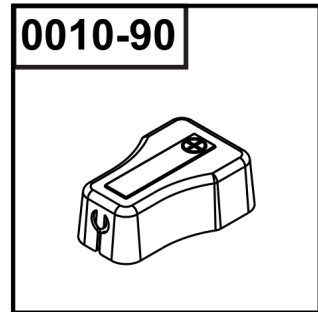
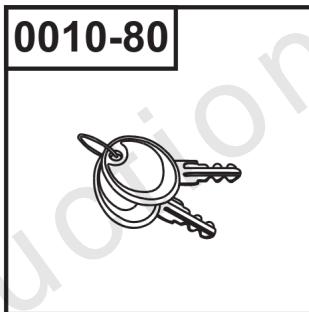
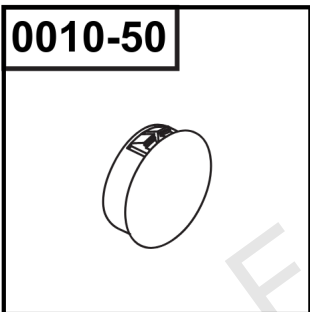
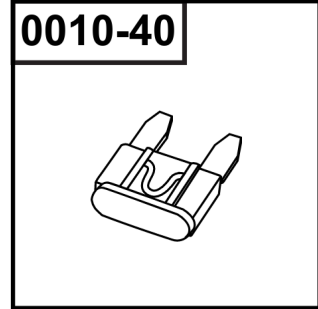
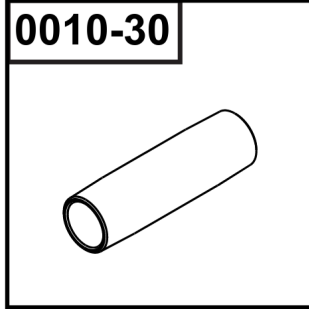
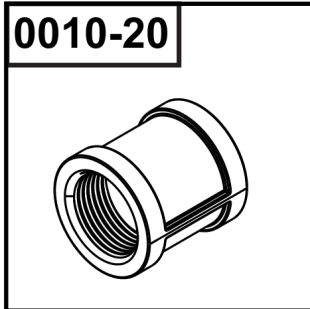
Mfg. No: 040742-00



## Enclosure Group

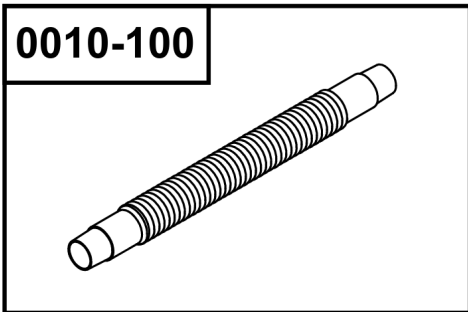
REF NO	PART NO	QTY	DESCRIPTION
0010	6910	1	ASSEMBLY, Panel, Front -(Reference 6910-00 Front Panel Assembly)
0020	-----	1	PANEL, Muffler Guard
0030	6911	1	ASSEMBLY, Panel, Right -(Reference 6911-00 Right Panel Assembly)
0035	23762GS	2	WASHER
0040	6912	1	ASSEMBLY, Panel, Left -(Reference 6912-00 Left Panel Assembly)
0050	26850GS	2	WASHER, Ext. M6 - 1/4" Shakeproof
0060	704130	5	SCREW, HEX, 1/4-20X.5
0070	6913	1	ASSEMBLY, Roof -(Reference 6913-00 Roof Assembly)
0080	-----	6	SCREW
0090	6915	1	ASSEMBLY, Control Panel Door -(Reference 6915-00 Control Panel Door Assembly)
0100	703929	1	WASHER-FLAT, NYLON
0110	314619GS	1	LATCH
0111	313745GS	1	LATCH
0112	314290GS	1	KEY, Latch
0120	196001GS	1	LATCH-ARM
0130	-----	1	DECAL
0140	-----	1	DOOR, Access
0145	-----	2	SCREW, Thumb
0150	316193GS	1	PLUG, Roof
0170	-----	1	DECAL

**0010**



**0010-70**

<p><b>● ATTENTION</b> This building is equipped with a Standby Generator.</p> <p><b>FUEL TYPE:</b>  <input type="checkbox"/> Natural Gas  <input type="checkbox"/> LP Gas</p> <p><b>LOCATION:</b>  <input type="checkbox"/> NORTH    <input type="checkbox"/> EAST  <input type="checkbox"/> SOUTH    <input type="checkbox"/> WEST</p> <p><b>ATENCIÓN</b> Este edificio está equipado con un generador de respaldo.</p> <p><b>TIPO DE COMBUSTIBLE:</b>  <input type="checkbox"/> Gas natural  <input type="checkbox"/> Gas LP</p> <p><b>UBICACIÓN:</b>  <input type="checkbox"/> NORTE    <input type="checkbox"/> ESTE  <input type="checkbox"/> SUR      <input type="checkbox"/> OESTE</p>	DO NOT REMOVE THIS TAG NE RETIREZ PAS CETTE ÉTIQUETTE DO NOT REMOVE THIS TAG	<p><b>● ATTENTION</b> Cet édifice est équipé d'une génératrice de secours.</p> <p><b>TYPE DE CARBURANT :</b>  <input type="checkbox"/> Gaz naturel  <input type="checkbox"/> GPL</p> <p><b>EMPLACEMENT :</b>  <input type="checkbox"/> EST      <input type="checkbox"/> NORD  <input type="checkbox"/> OUEST   <input type="checkbox"/> SUD</p> <p><b>ATTENTION</b> This building is equipped with a Standby Generator.</p> <p><b>FUEL TYPE:</b>  <input type="checkbox"/> Natural Gas  <input type="checkbox"/> LP Gas</p> <p><b>LOCATION:</b>  <input type="checkbox"/> EAST    <input type="checkbox"/> NORTH  <input type="checkbox"/> WEST   <input type="checkbox"/> SOUTH</p>
--	--	---



## Manuals & Accessories Group

REF NO	PART NO	QTY	DESCRIPTION
0010	84010850	1	KIT, Accessory -(Incl. Ref. Nos. 0010-10, 0010-20, 0010-40, 0010-60, 0010-80, 0010-90)
0010-20	-----	1	COUPLING, 3/4" NPT
0010-30	706526	1	FITTING
0010-40	198573GS	2	FUSE, Auto Type, 15 Amp
0010-50	198460GS	4	PLUG, Dome
0010-70	706988	1	HANG TAG-ATTN. STANDBY EQUIPMENT
0010-80	314290GS	1	KEY, Latch
0010-90	84010851	1	COVER, Battery Terminal
0010-100	202295GS	1	HOSE-FLEX NG/LPG

Not For Reproduction

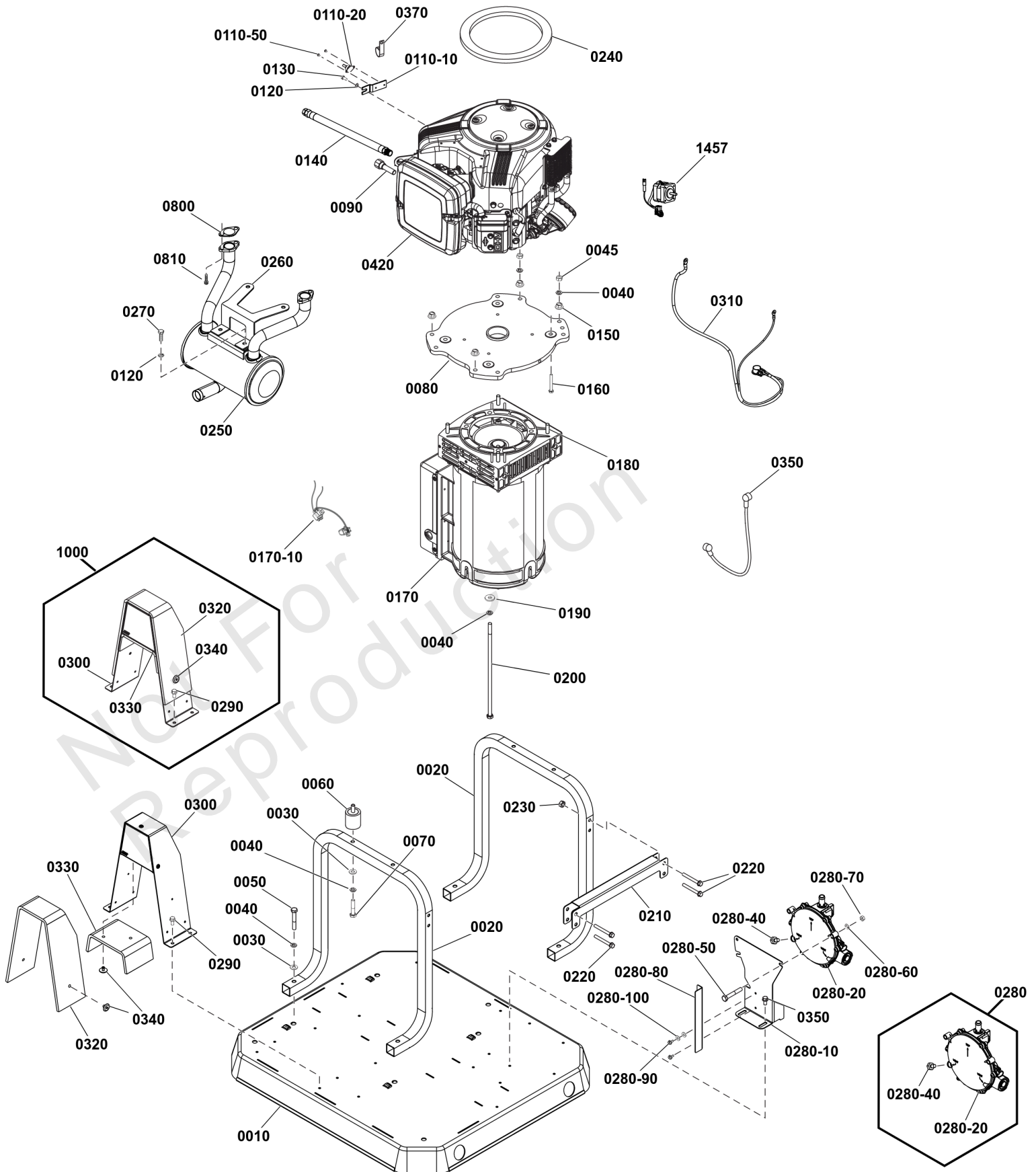


## Power Group

REF NO	PART NO	QTY	DESCRIPTION
0010	-----	1	BASE
0020	BF319470GS	2	CRADLE
0030	703350	8	WASHER
0040	22129GS	15	WASHER, Lock
0045	45771GS	2	NUT, M8 - 1.25
0050	5025011X16YP	4	BOLT
0060	189108GS	4	MOUNT, Vibration
0070	57821GS	4	CAPSCREW, Hex Head, M8-1.25 x 40
0080	319353GS	1	ADAPTER-ENGINE
0090	-----	1	THERMOWELL, Oil Heater
0110-10	195124GS	1	PLATE, Temp Switch
0110-20	204426GS	1	SWITCH, Temperature
0110-50	708730	2	SCREW
0120	22097GS	3	WASHER
0130	43116GS	1	HHCS, M6 - 1.0 x 12
0140	5048681SM	1	HOSE, OIL DRAIN
0150	67989GS	4	NUT, M8 Flange Serrated
0160	704010	4	SCREW, HEX, 3/8-16
0170	772334	1	ALTERNATOR
0170-10	84011102	1	BRUSH ASSEMBLY
0180	22125GS	4	SCREW
0190	96796GS	1	WASHER, Flat M8.4 x 22.2 x 3
0200	706941	1	BOLT
0210	319471GS	1	BRACKET
0220	94220	4	SCREW
0230	703061	4	NUT, HEX KEPS, 1/4-20
0240	316881GS	1	SEAL
0250	84010841	1	ASSEMBLY, Muffler
0260	704682	1	BRACKET, Muffler
0270	47411GS	2	SCREW
0280	84006385	1	FUEL REGULATOR ASSEMBLY -(Includes Ref. Nos. 0280-20, 0280-40)
0280-10	706379	1	BRACKET
0280-20	-----	1	FUEL REGULATOR ASSEMBLY
0280-40	318002GS	1	FITTING
0280-50	38750GS	2	HHCS, M6 - 1.0 x 30
0280-60	22097GS	2	WASHER
0280-70	49813GS	2	NUT, Hex, M6 - 1.0
0280-80	-----	1	BRACKET
0280-90	194561GS	2	HHS, Trilobular, #10-32 x 3/8
0280-100	23897GS	2	WASHER, Flat, #10 - M5
0290	704130	6	SCREW, HEX, 1/4-20X.5
0300	-----	1	ASSEMBLY, Bracket
0310	84008694	1	HARNESS, Battery
0320	-----	1	DEFLECTOR, Panel, Outer
0330	-----	1	DEFLECTOR, Panel, Inner
0340	-----	4	RIVET, BLIND, 3/16 X 5/8
0350	316814GS	1	WIRE, Starter Solenoid
0370	192669GS	1	Clamp, Hose, "J"

### Footnotes:

\*\* To verify your specific engine model, please reference the ID Tag located on your engine. See your local Briggs & Stratton distributor for parts and service.





## Power Group

REF NO	PART NO	QTY	DESCRIPTION
0420	3895750117E1	1	**Replacement Engine -(**See footnote)
0800	691613	2	GASKET, Exhaust
0810	805158	4	SCREW
1000	84011108	1	BRACKET ASSEMBLY -(Includes Ref. Nos. 0290, 0300, 0320, 0330, 0340)
0290	704130	4	SCREW, HEX, 1/4-20X.5
0300	-----	1	ASSEMBLY, Bracket
0320	-----	1	DEFLECTOR, Panel, Outer
0330	-----	1	DEFLECTOR, Panel, Inner
0340	-----	4	RIVET, BLIND, 3/16 X 5/8
1457	-----	1	MOTOR, Stepper -(Refer To Your Engine Model's Parts Manual)

Not For  
Reproduction

---

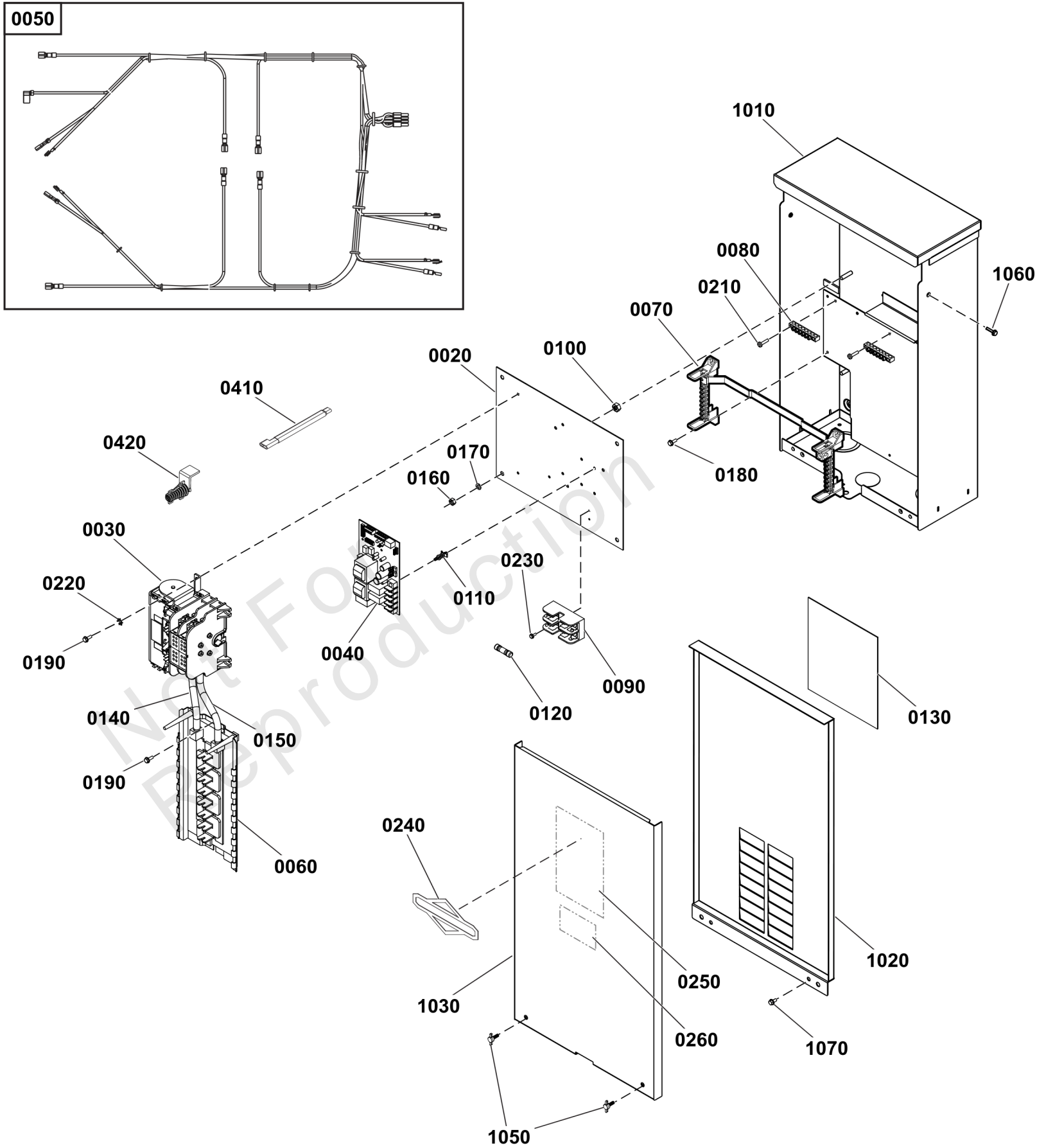
**Footnotes:**

\*\* To verify your specific engine model, please reference the ID Tag located on your engine. See your local Briggs & Stratton distributor for parts and service.

# Transfer Switch - Enclosure

Note: Unless noted otherwise, use the standard torque specifications

Mfg. No: 040742-00



## Transfer Switch - Enclosure

REF NO	PART NO	QTY	DESCRIPTION
0020	-----	1	BACK PANEL
0030	314867GS	1	CONTACTOR, 100A
0040	770434	1	BOARD, Circuit
0050	84006866	1	HARNESS, Wire
0060	198719GS	1	BUS
0070	705747	1	BLOCK-NEUTRAL
0080	-----	2	KIT, Ground Bar
0090	192151GS	1	FUSE HOLDER, 30 Amp 2P
0100	22241GS	4	NUT, Hex, 3/8-16
0110	197979GS	4	SPACER, PCB Board, 1/2"
0120	205110GS	2	FUSE, 10 Amp 600v
0130	193664GS	1	INSULATION, Dead Front
0140	204431GS	1	WIRE - R
0150	204432GS	1	WIRE - R
0160	22127GS	4	NUT, Hex, 1/4-20
0170	22097GS	4	WASHER
0180	24679GS	4	TRILOBULAR, #10-32 x 3/4
0190	200020GS	5	SCREW, Trilobular, #10-32 x 1/2
0210	-----	4	SCREW, 10-32 X 1/2, Black
0220	23762GS	3	WASHER
0230	192730GS	2	SCREW, Hex Head, Trilobular, #6-32 x 3/8
0240	-----	1	DECAL, Logo
0250	205108GS	1	DECAL, 100A, ATS
0260	-----	1	DECAL, Circuit Directory
0410	-----	1	EXTENSION, Handle
0420	-----	1	INSULATOR, Terminal
1010	-----	1	ENCLOSURE
1020	-----	1	PANEL, Deadfront
1030	-----	1	DOOR, Enclosure
1050	315108GS	2	SCREW
1060	24679GS	2	TRILOBULAR, #10-32 x 3/4
1070	B5763GS	2	SCREW



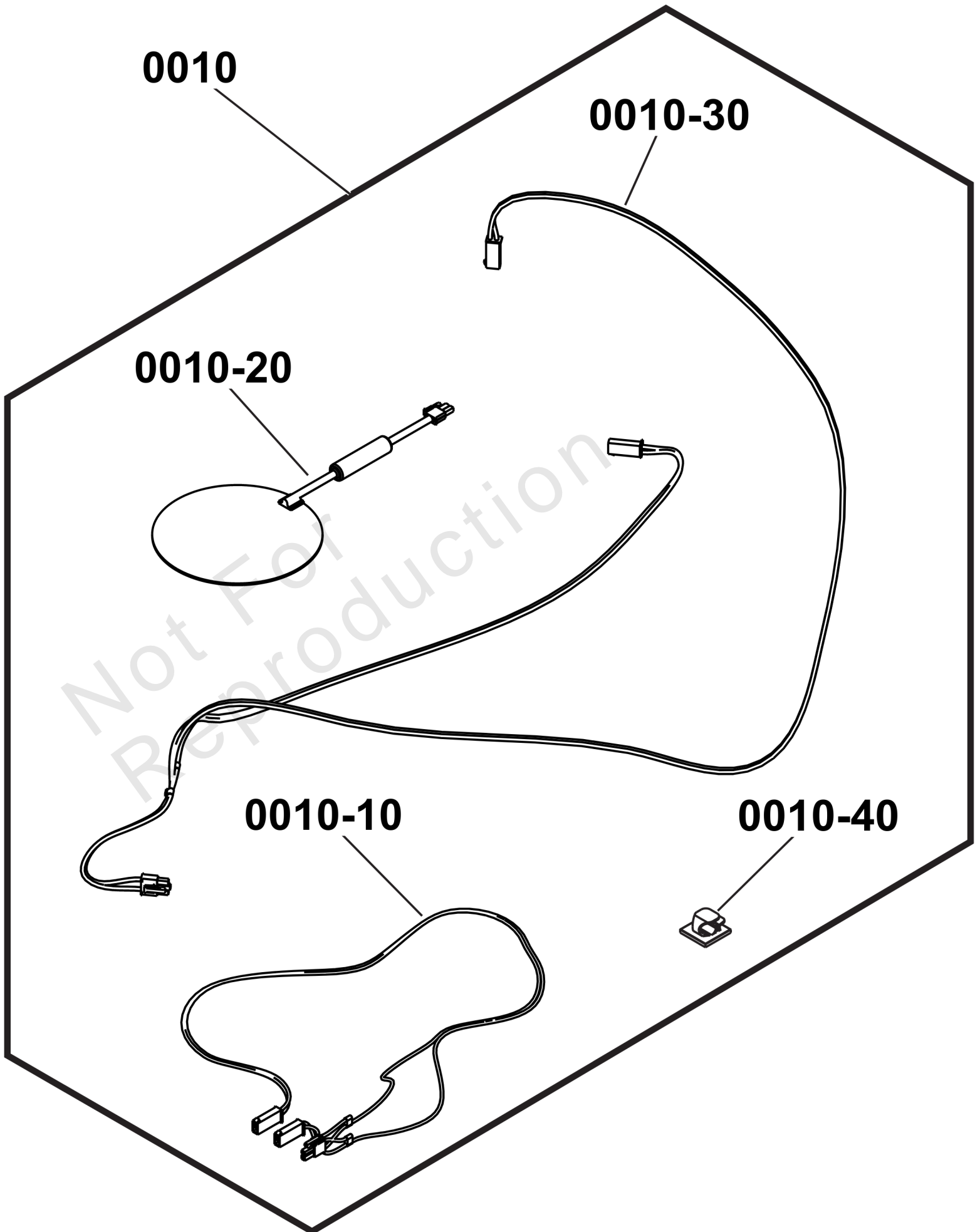
# 6845-00 - Fuel Regulator Heater

Not For  
Reproduction

# Fuel Regulator Heater

Note: Unless noted otherwise, use the standard torque specifications

Mfg. No: 6845-00



## ***Fuel Regulator Heater***

---

<b>REF NO</b>	<b>PART NO</b>	<b>QTY</b>	<b>DESCRIPTION</b>
0010	6845	1	HEATER, Fuel Regulator
0010-10	-----	1	HARNESS, Wire
0010-20	-----	1	HEATER, Fuel Regulator
0010-30	-----	1	HARNESS, Cold Weather
0010-40	-----	1	CLIP, LTCHNG

Not For Reproduction

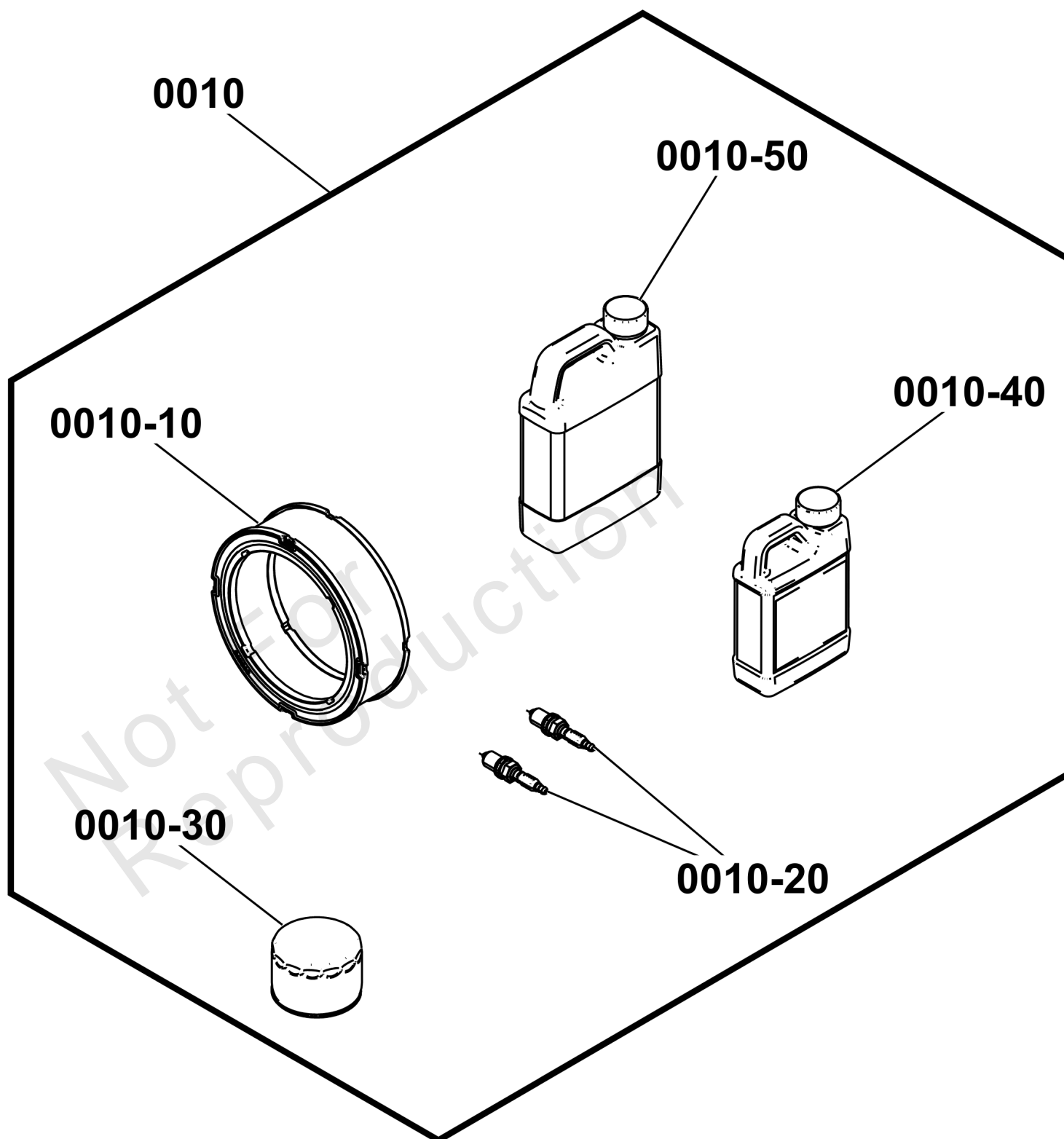


Not For  
Reproduction

# Maintenance

Note: Unless noted otherwise, use the standard torque specifications

Mfg. No: 6873-00





## Maintenance

REF NO	PART NO	QTY	DESCRIPTION
0010	6873	1	KIT, Maintenance -(Incl. Ref. Nos. 0010-10, 0010-20, 0010-30, 0010-40, 0010-70)
0010-10	-----	1	CARTRIDGE, Air Cleaner
0010-20	72347GS	2	PLUG, Spark
0010-30	492932S	1	FILTER, Oil
0010-40	-----	1	BOTTLE, 16oz Oil
0010-50	-----	1	BOTTLE, 32oz Oil

Not For Reproduction

# 6892-00 - Spark Arrestor

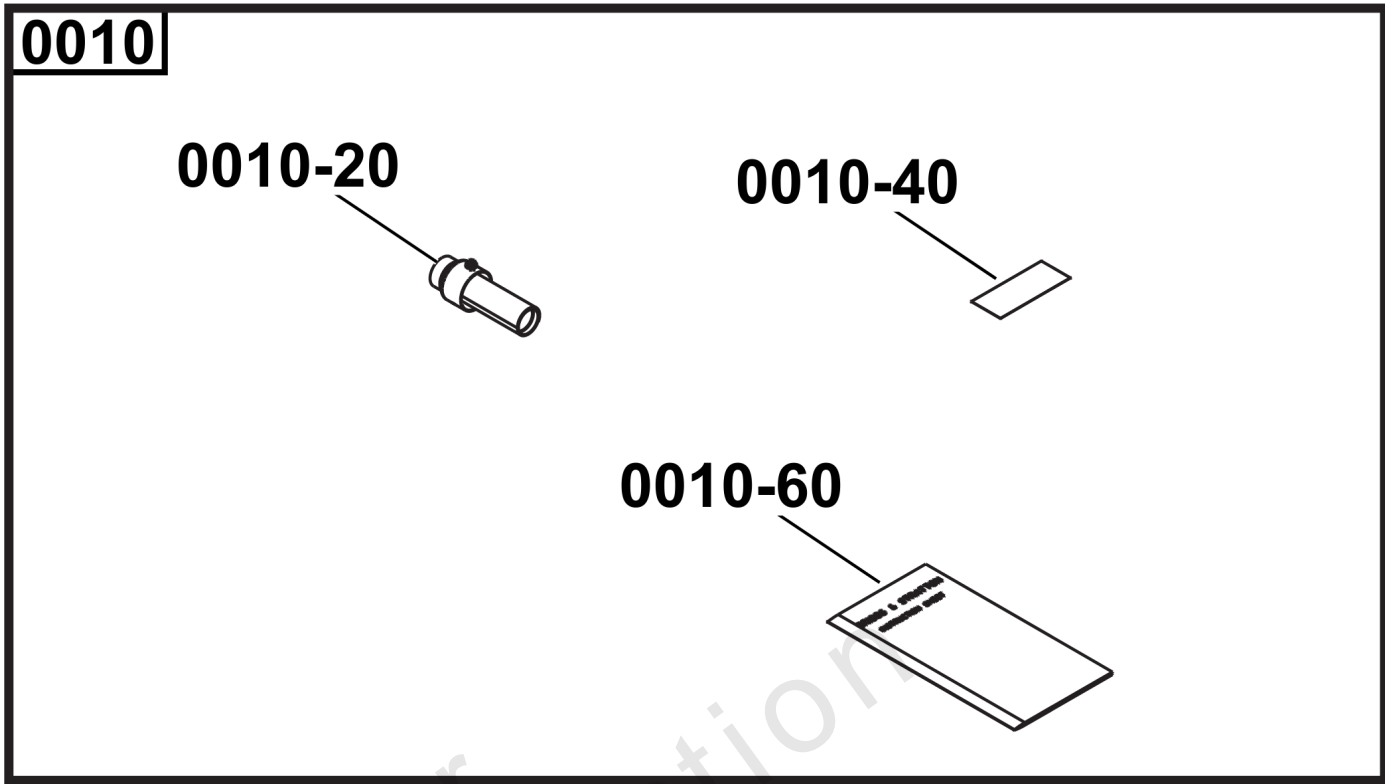


Not For  
Reproduction

# Spark Arrestor

Note: Unless noted otherwise, use the standard torque specifications

Mfg. No: 6892-00



## Spark Arrestor

REF NO	PART NO	QTY	DESCRIPTION
0010	6892	1	ARRESTOR, Spark -(Incl. Ref. Nos. 0010-20, 0010-40, 0010-60)
0010-20	-----	1	ASSEMBLY, Spark Arrestor
0010-40	208538GS	1	DECAL, Spark
0010-60	-----	1	INSTRUCTION SHEET

Not For Reproduction

# 6920-00 - Wind Brackets

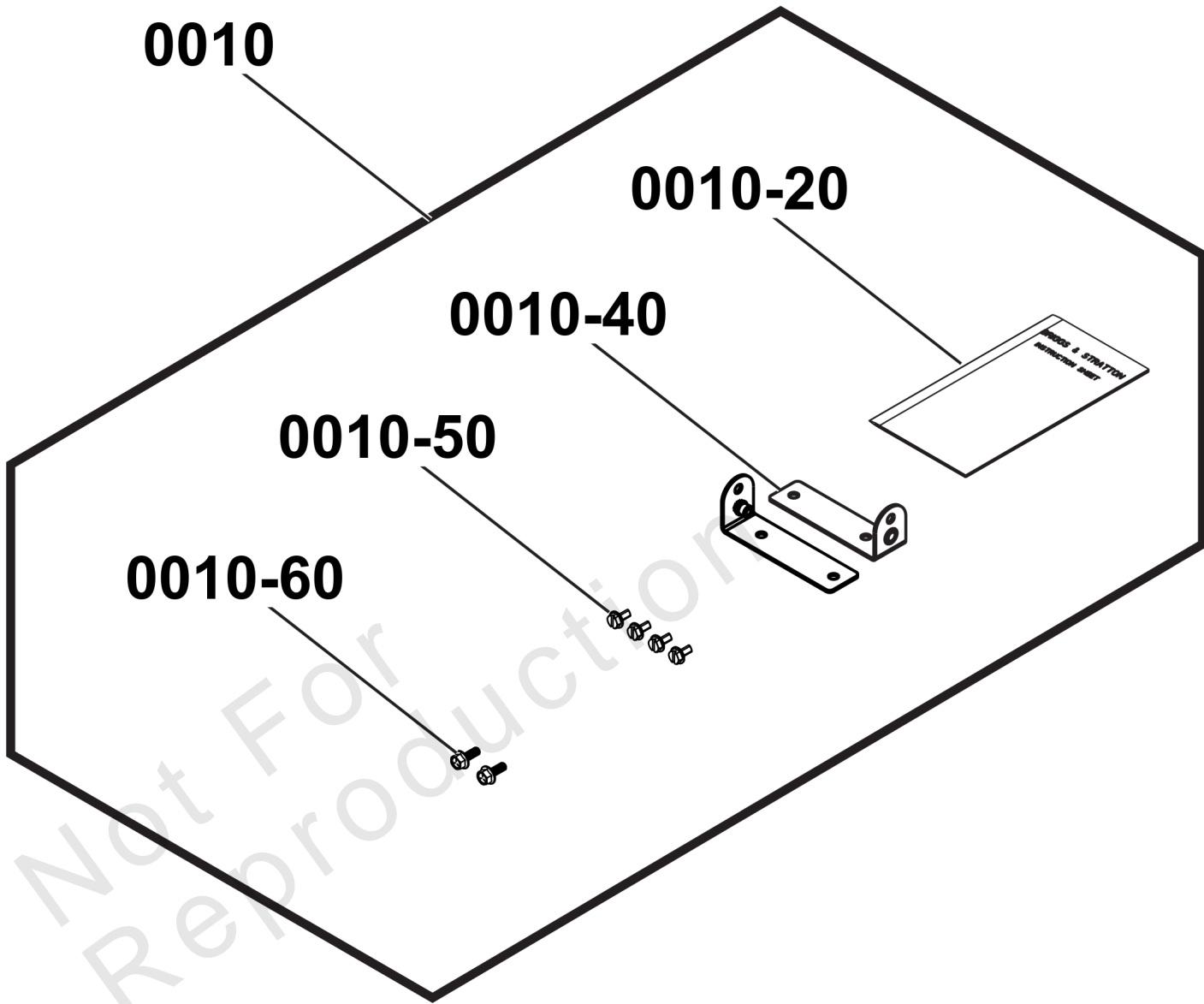


Not For  
Reproduction

# Wind Brackets

Note: Unless noted otherwise, use the standard torque specifications

Mfg. No: 6920-00



## Wind Brackets

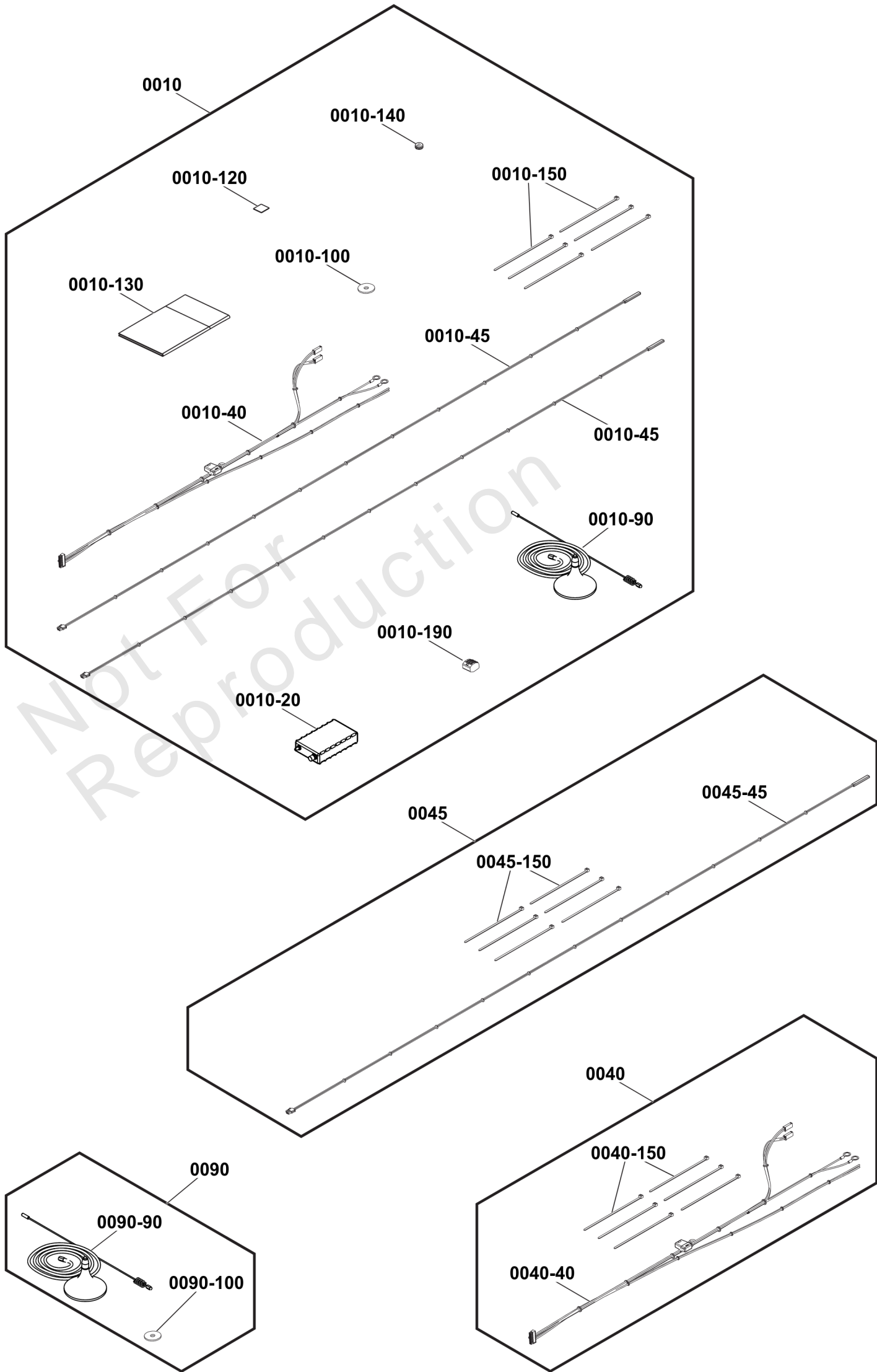
REF NO	PART NO	QTY	DESCRIPTION
0010	6920	1	BRACKET, Wind -(Incl. Ref. Nos. 0010-20, 0010-40, 0010-50, 0010-60)
0010-20	-----	1	SHEET, Instruction
0010-40	-----	2	BRACKET
0010-50	194561GS	4	HHS, Trilobular, #10-32 x 3/8
0010-60	-----	2	SCREW

Not For Reproduction



Not For  
Reproduction





## Infohub

REF NO	PART NO	QTY	DESCRIPTION
0010	6574	1	KIT, Infohub SP, Agnostic -(Incl. Ref. Nos. 0010-20, 0010-40, 0010-45, 0010-90, 0010-100, 0010-120, 0010-130, 0010-140, 0010-150, 0010-190)
0010-20	-----	1	INFOHUB, UNIV
0010-40	-----	1	HARNESS, Infohub SP, Agnostic
0010-45	-----	2	ASSEMBLY, Voltage Sensor
0010-90	-----	1	ANTENNA, Cell Quad Band
0010-100	703591	1	WASHER, .406X1.5X.12
0010-120	-----	1	STRIP, Adhesive Mounting
0010-130	-----	1	MANUAL, Operator
0010-140	316855GS	1	GROMMET
0010-150	29333AGS	6	TIEWRAP, 7 LG BLK
0010-190	197956GS	1	BLOCK, Terminal w/Levers
0040	84003260	1	HARNESS, Infohub SP, Agnostic -(Incl. Ref. Nos. 0040-40, 0040-150)
0040-40	-----	1	HARNESS, Infohub SP, Agnostic
0040-150	29333AGS	6	TIEWRAP, 7 LG BLK
0045	84003258	1	ASSEMBLY, Voltage Sensor -(Incl. Ref. Nos. 0045-45, 0045-150)
0045-45	-----	1	ASSEMBLY, Voltage Sensor
0045-150	29333AGS	6	TIEWRAP, 7 LG BLK
0090	84003261	1	ANTENNA, Cell Quad Band -(Incl. Ref. Nos. 0090-90, 0090-100)
0090-90	-----	1	ANTENNA, Cell Quad Band
0090-100	703591	1	WASHER, .406X1.5X.12



# 6581-00 - Uninterruptible Power Supply - (UPS)

Not For  
Reproduction

**Uninterruptible Power Supply - (UPS)**

Note: Unless noted otherwise, use the standard torque specifications

Mfg. No: 6581-00



## ***Uninterruptible Power Supply - (UPS)***

REF NO	PART NO	QTY	DESCRIPTION
0010	6581	1	KIT, ACC, UPS 350VA/255W, 120VAC -(Incl. Ref. No. 0010-10)
0010-10	-----	1	UPS 350VA/255W, 120VAC

Not For Reproduction



# 6324-01 - Concrete Pad (Non-Hurricane)

Not For  
Reproduction

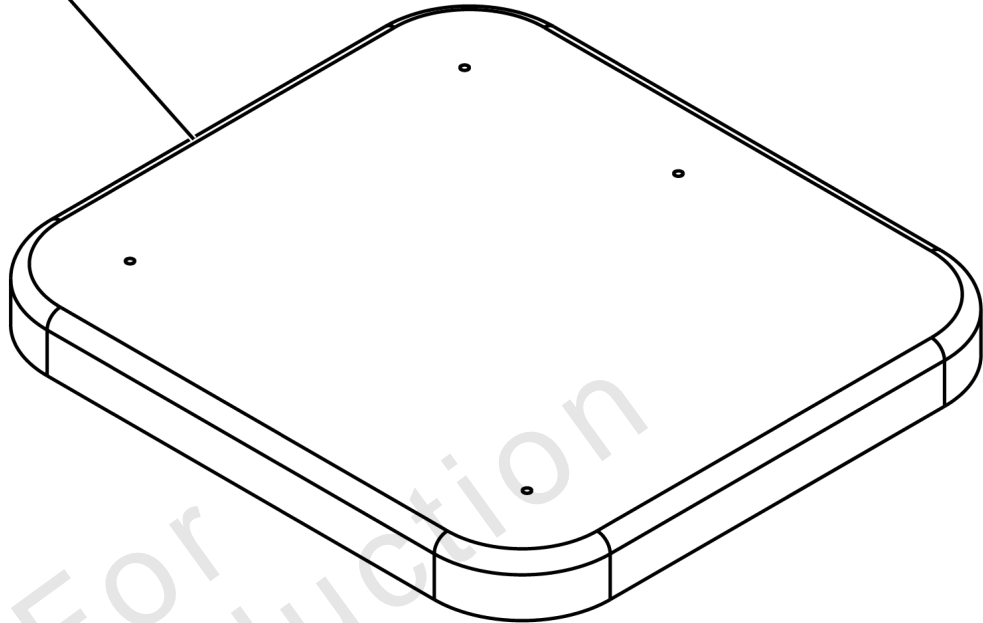
**Concrete Pad (Non-Hurricane)**

Note: Unless noted otherwise, use the standard torque specifications

Mfg. No: 6324-01

**0010**

**0010-10**



Not For  
Reproduction

### Concrete Pad (Non-Hurricane)

REF NO	PART NO	QTY	DESCRIPTION
0010	6324	1	ACC PAD, Concrete, Non-Hurricane -(Incl. Ref. No. 0010-10)
0010-10	-----	1	PAD, Concrete

Not For Reproduction





# 6326-01 - Concrete Pad (Hurricane)

Not For  
Reproduction

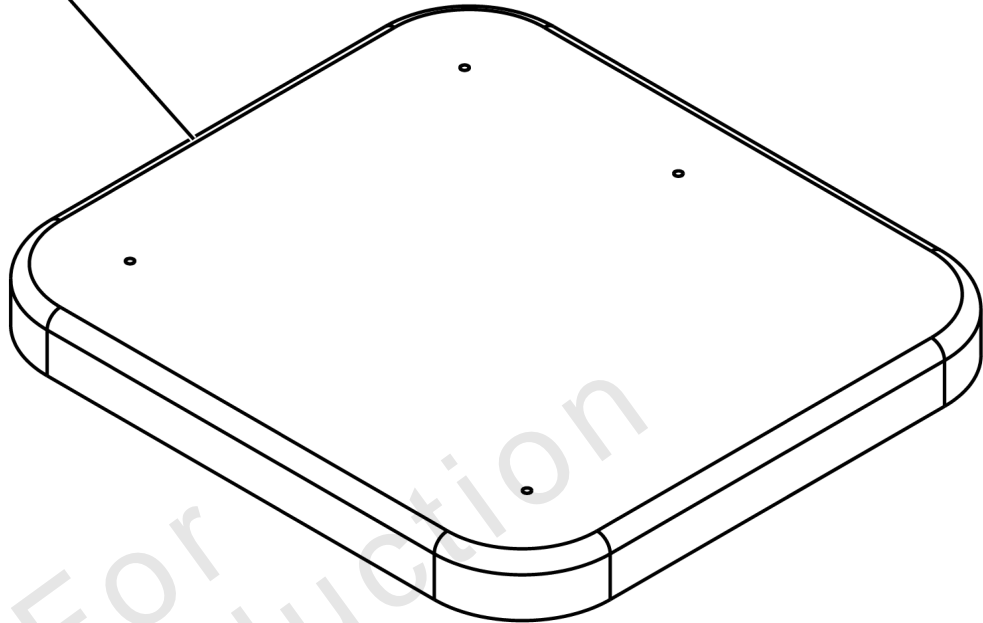
# Concrete Pad (Hurricane)

Note: Unless noted otherwise, use the standard torque specifications

Mfg. No: 6326-01

**0010**

**0010-10**



Not For  
Reproduction

## Concrete Pad (Hurricane)

REF NO	PART NO	QTY	DESCRIPTION
0010	6326	1	ACC PAD, Concrete, Hurricane -(Incl. Ref. No. 0010-10)
0010-10	-----	1	PAD, Concrete

Not For Reproduction

# 6491-01 - Estop Switch

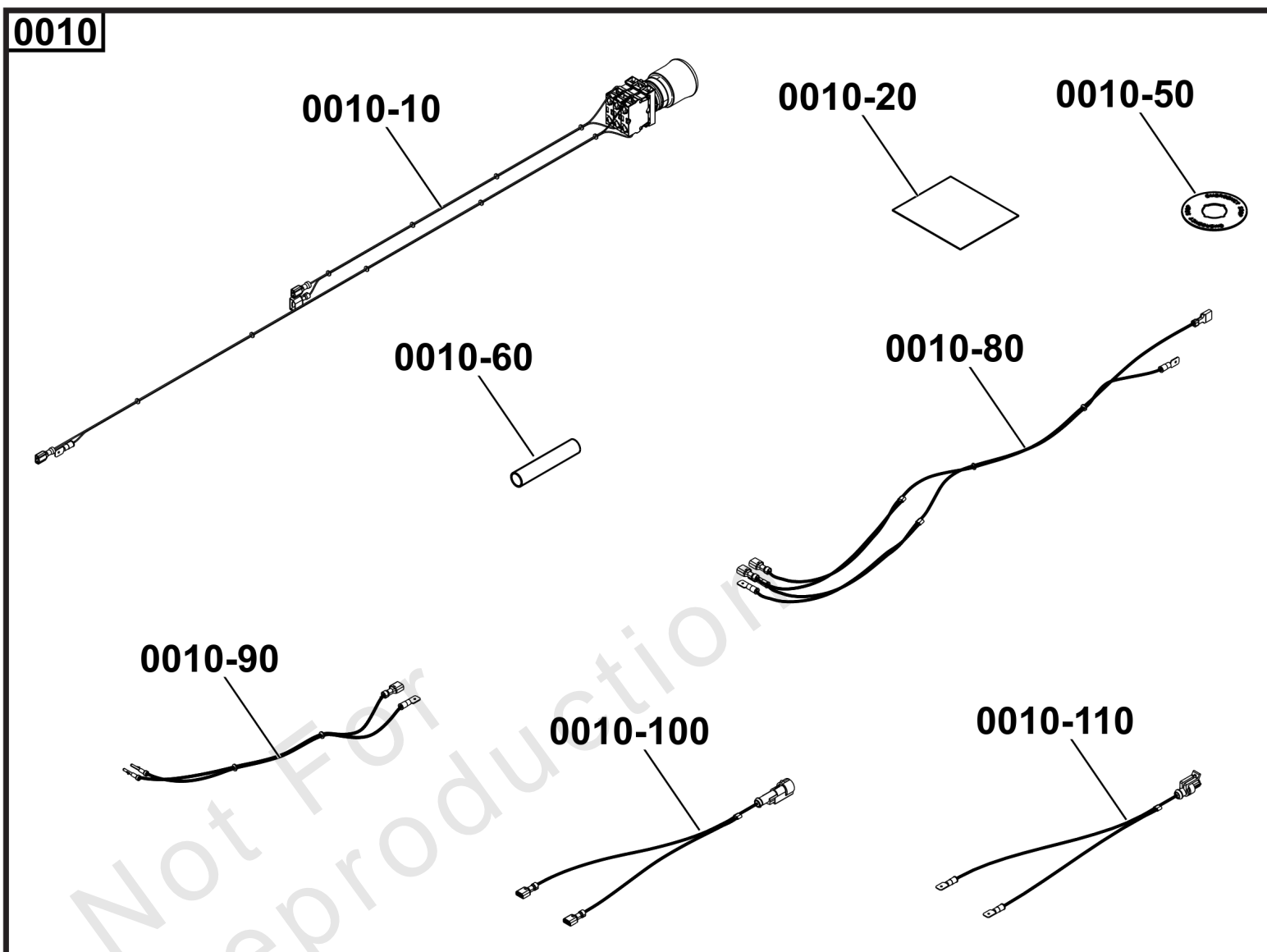


Not For  
Reproduction

# Estop Switch

Note: Unless noted otherwise, use the standard torque specifications

Mfg. No: 6491-01



## *Estop Switch*

REF NO	PART NO	QTY	DESCRIPTION
0010	6491	1	ACC KIT, SWITCH, E-STOP -(Incl. Ref. Nos. 0010-10, 0010-20, 0010-50, 0010-60, 0010-80, 0010-90, 0010-100, 0010-110)
0010-10	----	1	ASSEMBLY, Switch, E-Stop
0010-20	----	1	DECAL
0010-50	----	1	LEGEND PLATE, E-Stop
0010-60	----	1	TUBING, Heat Shrink
0010-80	----	1	HARNESS
0010-90	----	1	HARNESS
0010-100	----	1	HARNESS
0010-110	----	1	HARNESS

Not For Reproduction

# 6182-00 - Battery Warmer

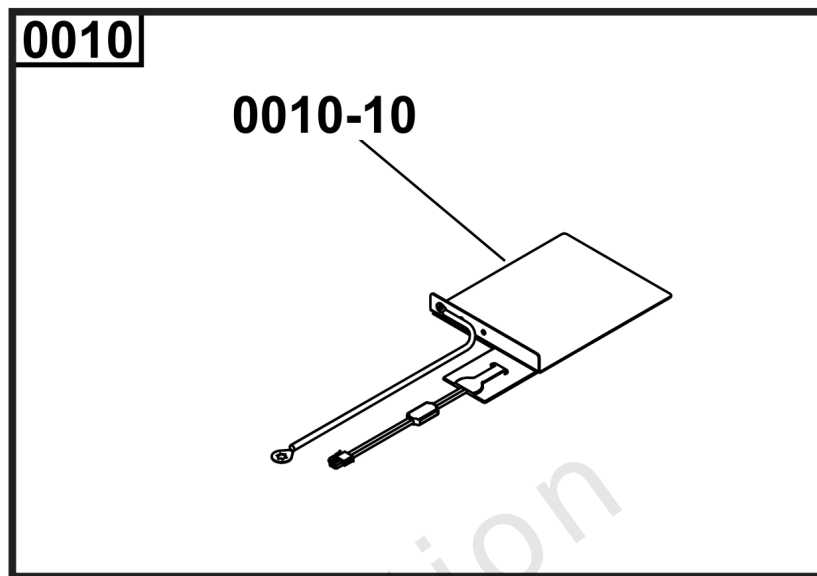


Not For  
Reproduction

# Battery Warmer

Note: Unless noted otherwise, use the standard torque specifications

Mfg. No: 6182-00



Not For  
Reproduction



## ***Battery Warmer***

REF NO	PART NO	QTY	DESCRIPTION
0010	6182	1	WARMER, Battery -(Incl. Ref. No. 0010-10)
0010-10	314941GS	1	PLATE, Warmer

Not For Reproduction

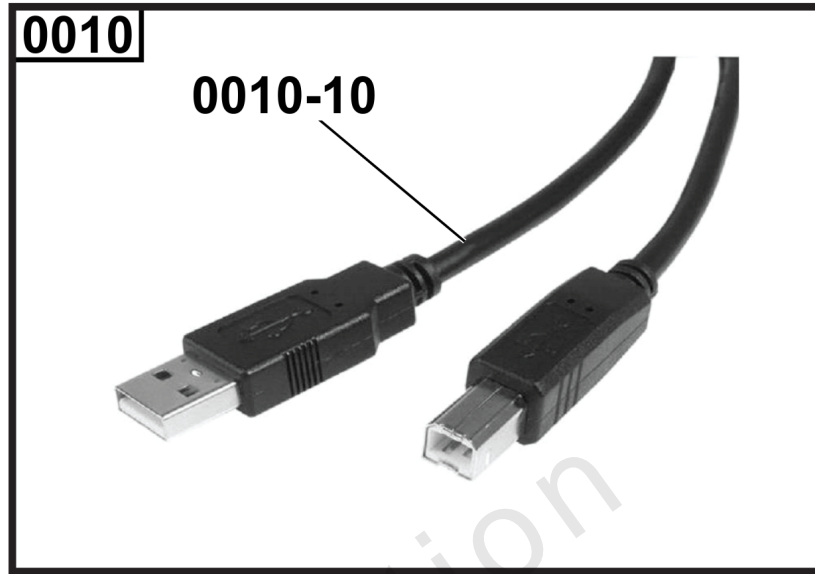


Not For  
Reproduction

## USB Cable

Note: Unless noted otherwise, use the standard torque specifications

Mfg. No: 6428-00



## USB Cable

REF NO	PART NO	QTY	DESCRIPTION
0010	6428	1	KIT, Communication Cable -(Incl. Ref. No. 0010-10)
0010-10	-----	1	CABLE, USB

Not For Reproduction



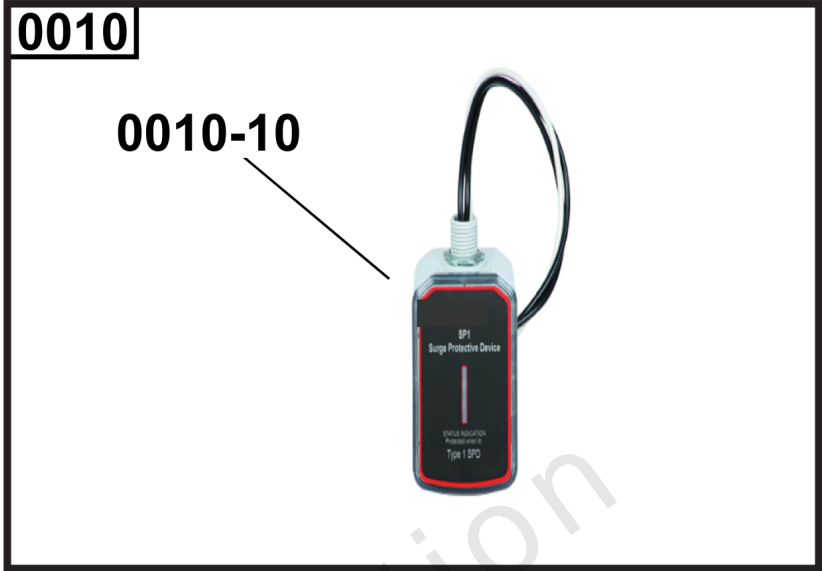
# 6631-00 - Surge Protective Device (SPD)

Not For  
Reproduction

**Surge Protective Device (SPD)**

Note: Unless noted otherwise, use the standard torque specifications

Mfg. No: 6631-00



Not For  
Reproduction

## Surge Protective Device (SPD)

REF NO	PART NO	QTY	DESCRIPTION
0010	6631	1	SURGE PROTECTIVE DEVICE (SPD) -(Incl. Ref. No. 0010-10)
0010-10	-----	1	SURGE PROTECTIVE DEVICE (SPD)

Not For Reproduction



# 6910-00 - Front Panel Assembly

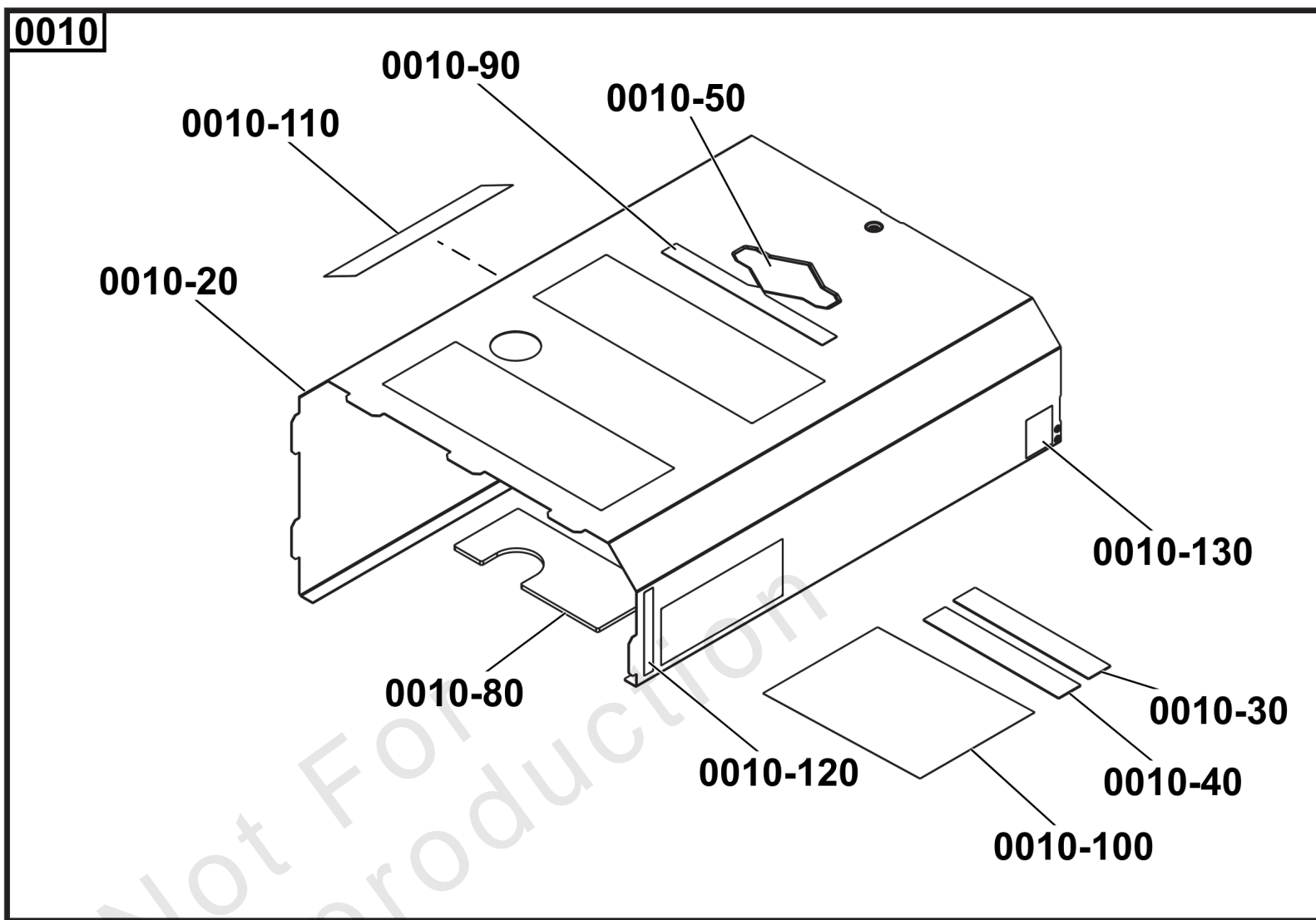
Not For  
Reproduction



# Front Panel Assembly

Note: Unless noted otherwise, use the standard torque specifications

Mfg. No: 6910-00



## Front Panel Assembly

REF NO	PART NO	QTY	DESCRIPTION
0010	6910	1	ASSEMBLY, Panel, Front -(Incl. Ref. Nos. 0010-20, 0010-30, 0010-40, 0010-50, 0010-80, 0010-90, 0010-100, 0010-110, 0010-120, 0010-130)
0010-20	-----	1	ENCLOSURE, Panel, Front
0010-30	-----	1	DECAL
0010-40	-----	1	DECAL
0010-50	-----	1	DECAL
0010-80	-----	1	PANEL, Muffler Guard
0010-90	-----	1	DECAL
0010-100	84010842	1	DECAL, Warning, Sheet
0010-110	-----	1	DECAL, Warning, Exhaust
0010-120	-----	1	DECAL-RAINPROOF ENCLOSURE
0010-130	-----	1	DECAL, Emergency Shutdown

Not For Reproduction



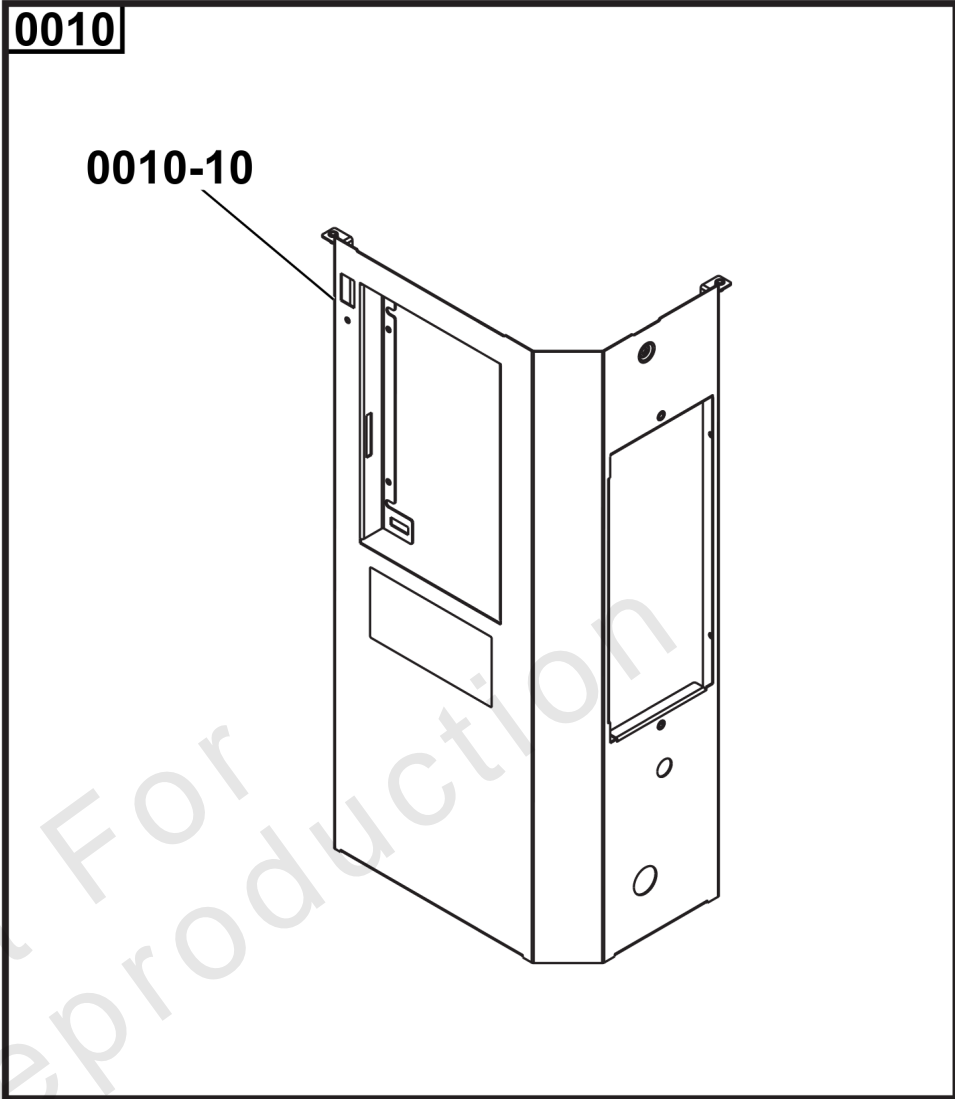
# 6911-00 - Right Panel Assembly

Not For  
Reproduction

**Right Panel Assembly**

Note: Unless noted otherwise, use the standard torque specifications

Mfg. No: 6911-00



## *Right Panel Assembly*

---

REF NO	PART NO	QTY	DESCRIPTION
0010	6911	1	ASSEMBLY, Panel, Right -(Incl. Ref. No. 0010-10)
0010-10	-----	1	ASSEMBLY, Panel, Right

Not For Reproduction



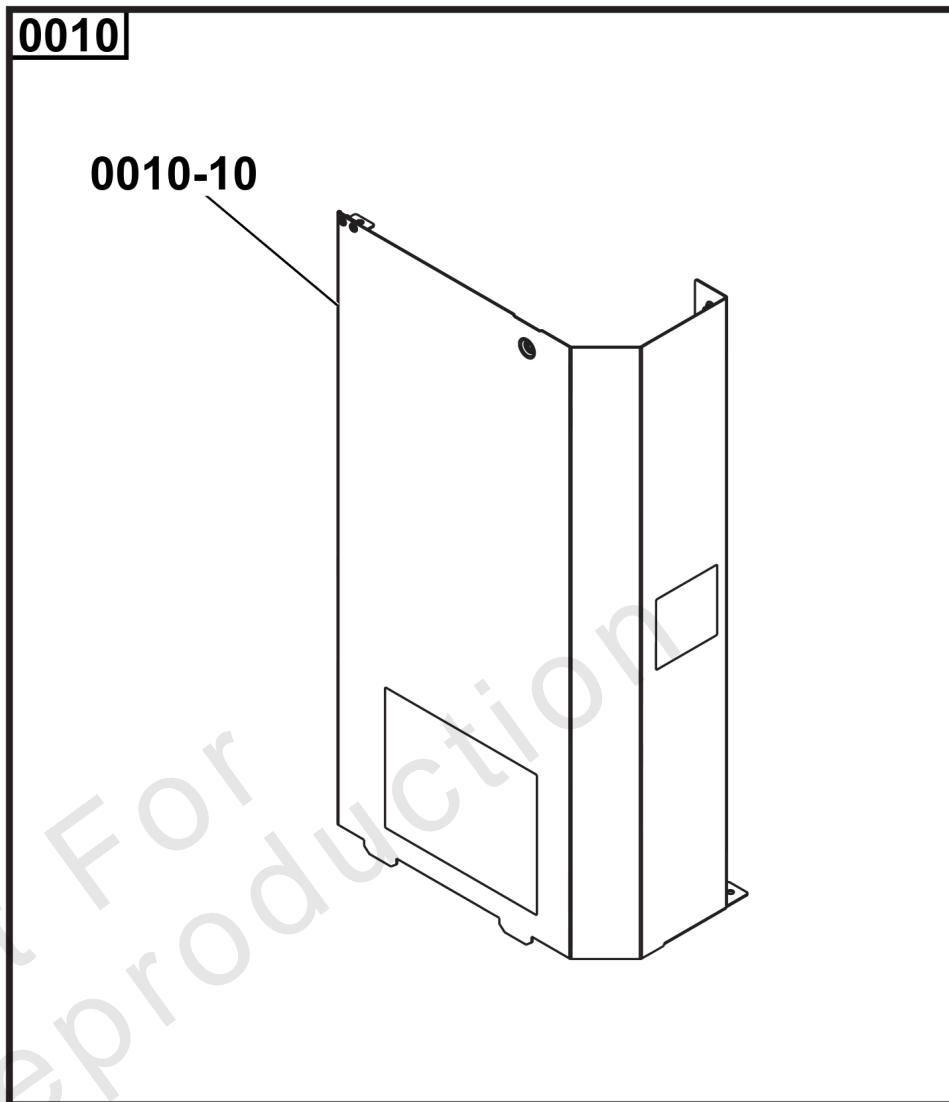
# 6912-00 - Left Panel Assembly

Not For  
Reproduction

# Left Panel Assembly

Note: Unless noted otherwise, use the standard torque specifications

Mfg. No: 6912-00



## *Left Panel Assembly*

REF NO	PART NO	QTY	DESCRIPTION
0010	6912	1	ASSEMBLY, Panel, Left -(Incl. Ref. No. 0010-10)
0010-10	-----	1	ASSEMBLY, Panel, Left

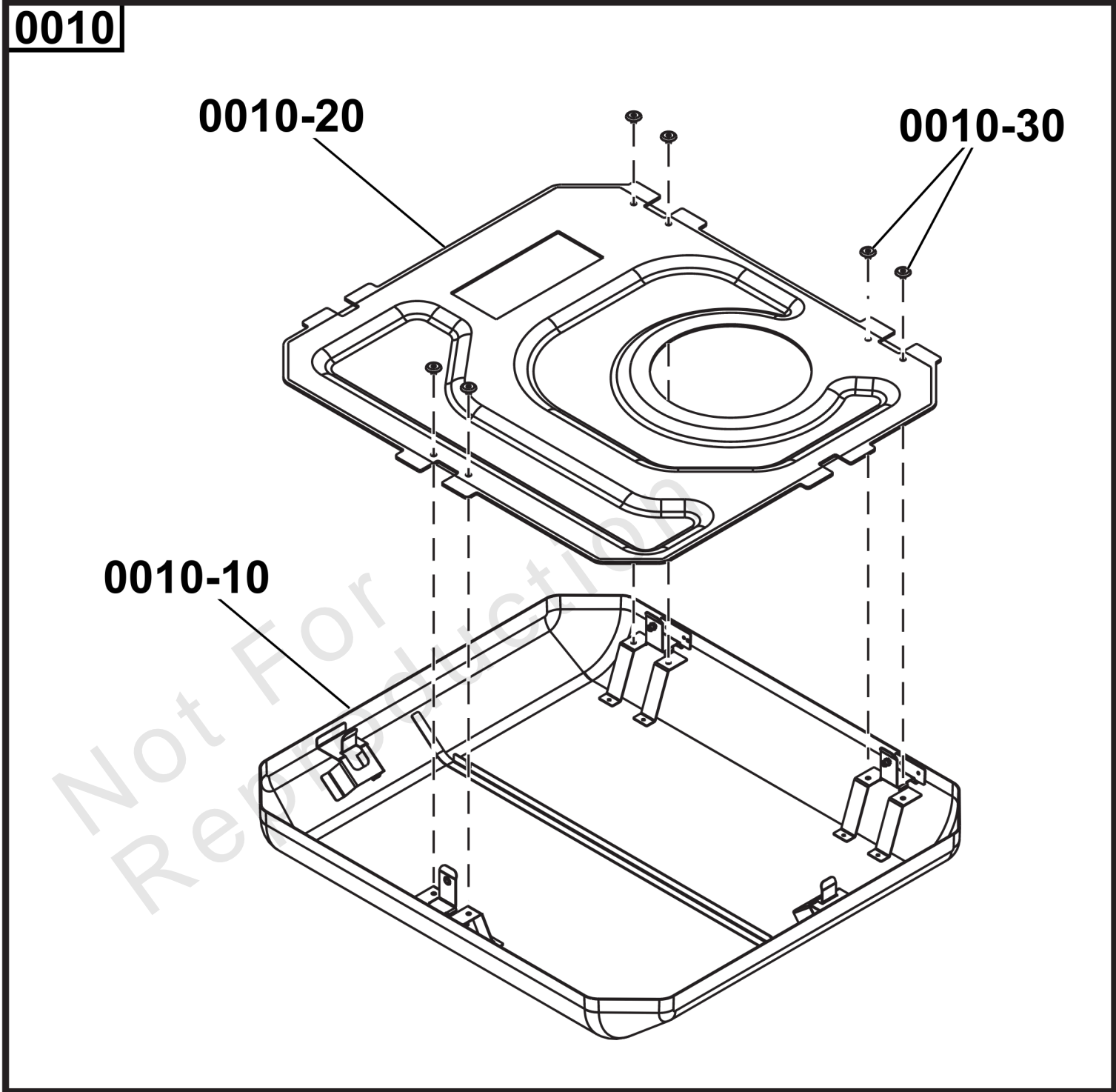
Not For Reproduction



# 6913-00 - Roof Assembly



Not For  
Reproduction



## Roof Assembly

REF NO	PART NO	QTY	DESCRIPTION
0010	6913	1	ASSEMBLY, Roof -(Incl. Ref. Nos. 0010-10, 0010-20, 0010-30)
0010-10	----	1	ASSEMBLY, Roof
0010-20	----	1	DIVIDER, Roof
0010-30	----	6	RIVET, BLIND, 3/16 X 5/8

Not For Reproduction



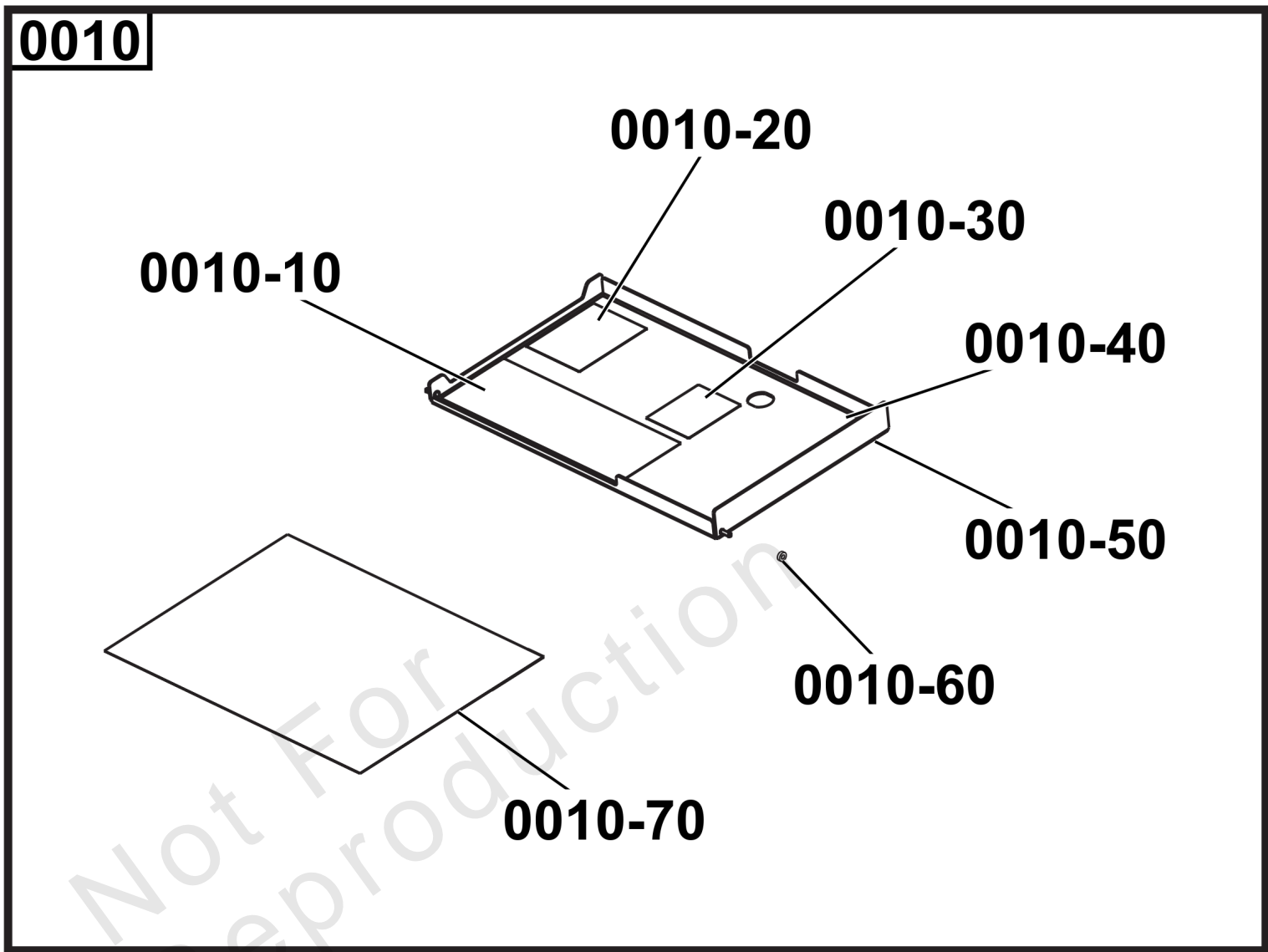
# 6915-00 - Control Door Assembly

Not For  
Reproduction

# Control Door Assembly

Note: Unless noted otherwise, use the standard torque specifications

Mfg. No: 6915-00



Not For  
Reproduction

## Control Door Assembly

REF NO	PART NO	QTY	DESCRIPTION
0010	6915		ASSEMBLY, Control Panel Door -(Incl. Ref. Nos. 0010-10, 0010-20, 0010-30, 0010-40, 0010-50, 0010-60, 0010-70)
0010-10	-----	1	DECAL, Notice Fuel Requirements
0010-20	-----	1	DECAL, Warning, Manual
0010-30	-----	1	DECAL, Warning
0010-40	-----	1	DECAL, MOR, AUBURN
0010-50	-----	1	DOOR, Control Panel
0010-60	703929	1	WASHER-FLAT, NYLON
0010-70	84010842	1	DECAL, Warning, Sheet

Not For Reproduction

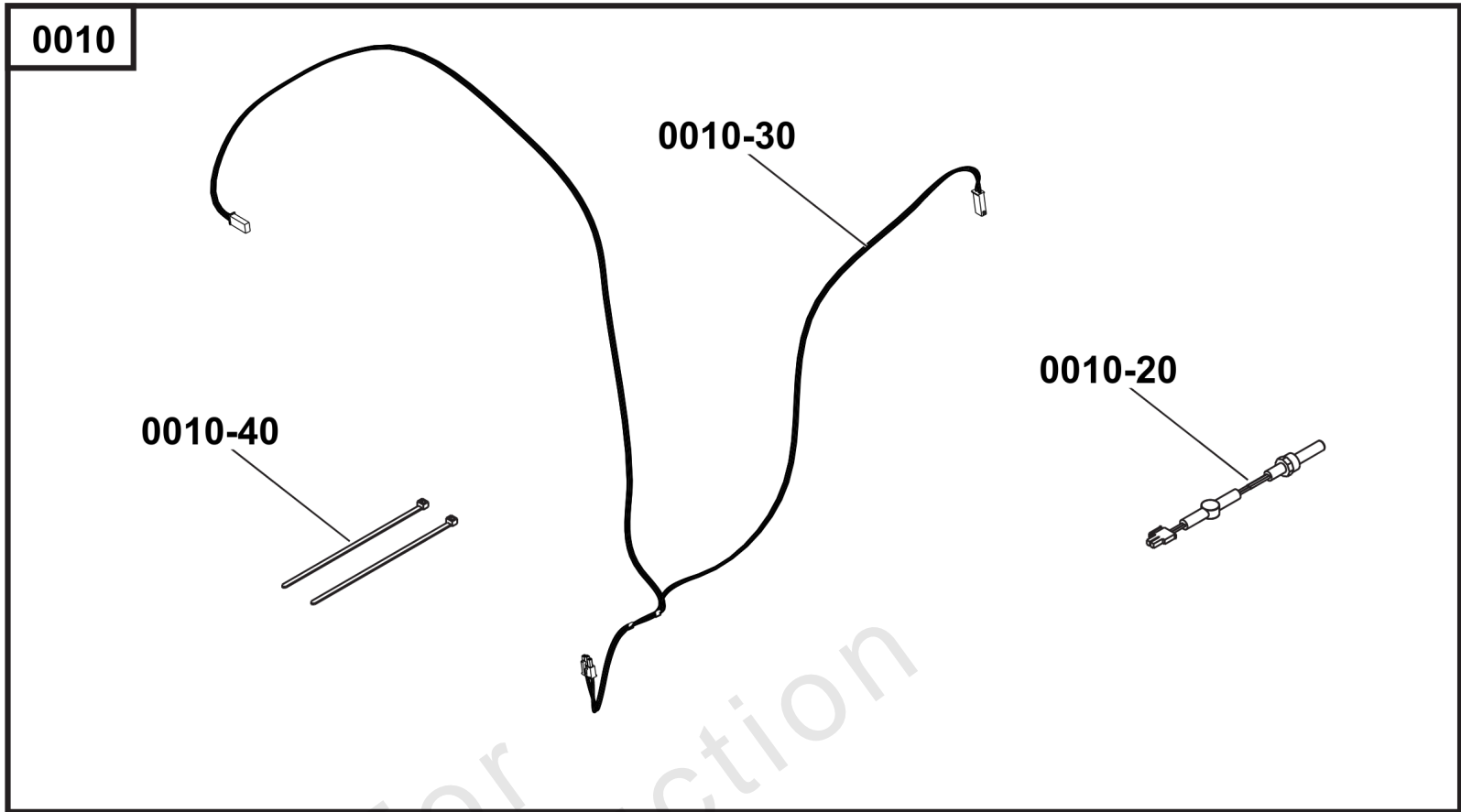


Not For  
Reproduction

# Oil Warmer

Note: Unless noted otherwise, use the standard torque specifications

Mfg. No: 6922-00





## Oil Warmer

REF NO	PART NO	QTY	DESCRIPTION
0010	6922	1	KIT, Oil Warmer -(Incl. Ref. No. 0010-20, 0010-30, 0010-40)
00010-20	-----	1	HEATER, Oil
0010-30	84003363	1	HARNESS, Cold Weather Kit
0010-40	29333AGS	2	TIEWRAP, 7 LG BLK

Not For Reproduction

# 6921-01 - Battery Warmer

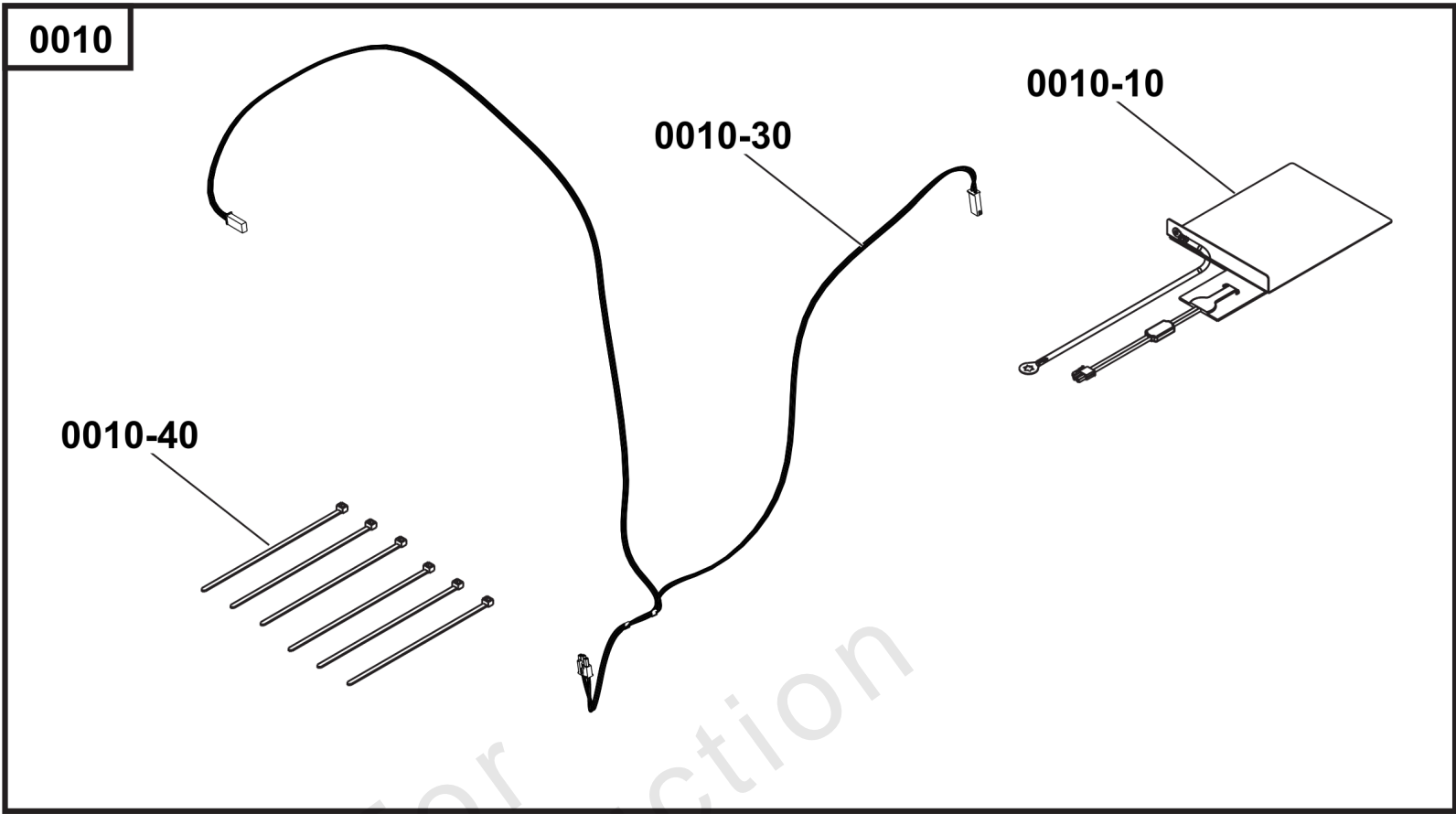


Not For  
Reproduction

**Battery Warmer**

Note: Unless noted otherwise, use the standard torque specifications

Mfg. No: 6921-01



## Battery Warmer

REF NO	PART NO	QTY	DESCRIPTION
0010	6921	1	KIT, Cold Weather -(Incl. Ref. Nos. 0010-10, 0010-30, 0010-40)
0010-10	314941GS	1	PLATE, Warmer
0010-30	84003363	1	HARNESS, Cold Weather Kit
0010-40	29333AGS	6	TIEWRAP, 7 LG BLK

Not For Reproduction

# Hardware Identification & Torque Specifications

Torque Specification Chart								
FOR STANDARD METRIC MACHINE HARDWARE (Tolerance ± 20%)								
Property Class	5.6		8.8		10.9		12.9	
	Class 5.6		Class 8.8		Class 10.9		Class 12.9	
Size Of Hardware	in/lbs	Nm.	in/lbs	Nm.	in/lbs	Nm.	in/lbs	Nm.
	ft/lbs		ft/lbs		ft/lbs		ft/lbs	
M3	5.88	.56	13.44	1.28	19.2	1.80	22.92	2.15
M4	13.44	1.28	30.72	2.90	43.44	4.10	52.56	4.95
M5	26.4	2.50	60.96	5.75	5.97	8.10	7.15	9.7
M6	44.64	4.3	7.3	9.9	10.3	14	12.1	16.5
M7	5.2	7.1	12.1	16.5	16.9	23	19.9	27
M8	7.7	10.5	17.7	24	25	34	29	40
M10	15	21	35	48	50	67	59	81
M12	26	36	61	83	86.2	117	103	140
M14	42	58	101	132	136	185	162	220
M16	64	88	147	200	210	285	250	340
M18	89	121	202	275	287	390	346	470
M20	126	171	290	390	405	550	486	660
M22	169	230	390	530	559	745	656	890
M24	217	295	497	375	708	960	840	1140
M27	320	435	733	995	1032	1400	1239	1680
M30	435	590	995	1350	1401	1900	1681	2280
M33	590	800	1349	1830	1902	2580	2278	3090
M36	759	1030	1740	2360	2441	3310	2935	3980
M39	988	1340	2249	3050	3163	4290	3798	5150

Torque Specification Chart						
FOR STANDARD MACHINE HARDWARE (Tolerance ± 20%)						
Hardware Grade	No Marks		SAE Grade 5		SAE Grade 8	
	SAE Grade 2		SAE Grade 5		SAE Grade 8	
Size Of Hardware	in/lbs	Nm.	in/lbs	Nm.	in/lbs	Nm.
	ft/lbs		ft/lbs		ft/lbs	
8-32	19	2.1	30	3.4	41	4.6
8-36	20	2.3	31	3.5	43	4.9
10-24	27	3.1	43	4.9	60	6.8
10-32	31	3.5	49	5.5	68	7.7
1/4-20	66	7.6	8	10.9	12	16.3
1/4-28	76	8.6	10	13.6	14	19.0
5/16-18	11	15.0	17	23.1	25	34.0
5/16-24	12	16.3	19	25.8	29	34.0
3/8-16	20	27.2	30	40.8	45	61.2
3/8-24	23	31.3	35	47.6	50	68.0
7/16-14	30	40.8	50	68.0	70	95.2
7/16-20	35	47.6	55	74.8	80	108.8
1/2-13	50	68.0	75	102.0	110	149.6
1/2-20	55	74.8	90	122.4	120	163.2
9/16-12	65	88.4	110	149.6	150	204.0
9/16-18	75	102.0	120	163.2	170	231.2
5/8-11	90	122.4	150	204.0	220	299.2
5/8-18	100	136	180	244.8	240	326.4
3/4-10	160	217.6	260	353.6	386	525.0
3/4-16	180	244.8	300	408.0	420	571.2
7/8-9	140	190.4	400	544.0	600	816.0
7/8-14	155	210.8	440	598.4	660	897.6
1-8	220	299.2	580	788.8	900	1,244.0
1-12	240	326.4	640	870.4	1,000	1,360.0

The guides and ruler furnished below are designed to help you select the appropriate hardware.

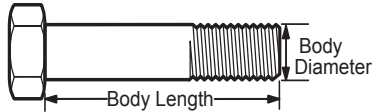


Nut, M8

Thread Diameter (mm)

Inside Diameter (in)      Threads per inch

Nut, 1/2-16

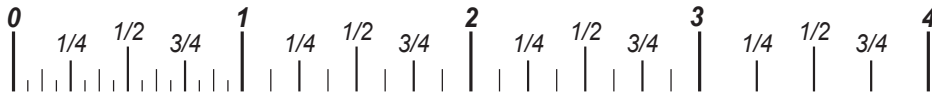


Screw, M8- 1.25 x 25

Thread Diameter (mm)      Distance between threads (mm)      Body Length (mm)

Body Diameter      Threads per inch      Body Length (in)

Screw, 1/2- 16 x 2



## Standard Hardware Sizing

When a washer or nut is identified as 1/2" (M8), this is the *Nominal size*, meaning the *inside diameter* is 1/2 inch (8mm metric thread diameter); if a second number is present it represents the *threads per inch* (distance between threads).

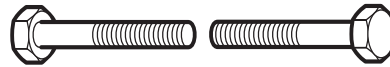
When bolt or capscrew is identified as 1/2 - 16 x 2" (M8 - 1.25 x 50), this means the *Nominal size*, or body diameter is 1/2 inch (8mm metric thread diameter), the second number, 16, represents the *threads per inch*, (*distance between threads*). The final number is the body length of the bolt or screw, 2 inches (50mm).

## NOTES

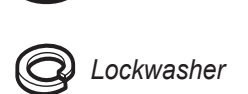
- These torque values are to be used for all hardware excluding: locknuts, self-tapping screws, thread forming screws, sheet metal screws and socket head setscrews.
- Recommended seating torque values for locknuts:
  - for prevailing torque locknuts - use 65% of grade 5 torques.
  - for flange whizlock nuts and screws - use 135% of grade 5 torques.
- Unless otherwise noted on assembly drawings, all torque values must meet this specification.

## Common Hardware Types

Hex Head Capscrew



Washer



Carriage Bolt



Hex Nut

## Wrench & Fastener Size Guide

1/4" Bolt or Nut Wrench—7/16"	5/16" Bolt or Nut Wrench—1/2"	3/8" Bolt or Nut Wrench—9/16"	7/16" Bolt or Nut Wrench (Bolt)—5/8" Wrench (Nut)—11/16"	1/2" Bolt or Nut Wrench—3/4"
M6 Bolt or Nut Wrench—10mm	M8 Bolt or Nut Wrench—13mm	M10 Bolt or Nut Wrench—17mm	M12 Bolt or Nut Wrench—19mm	M14 Bolt or Nut Wrench—22mm

