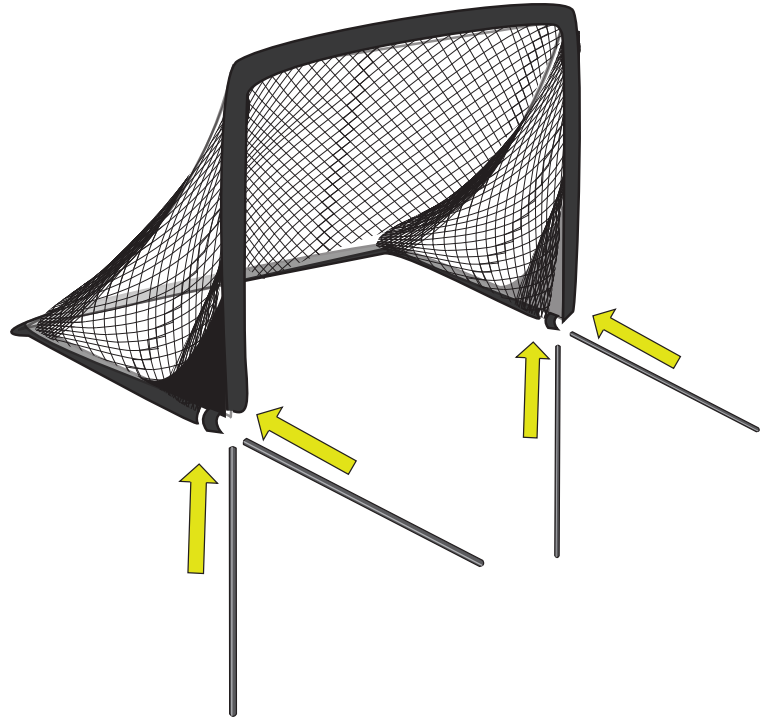
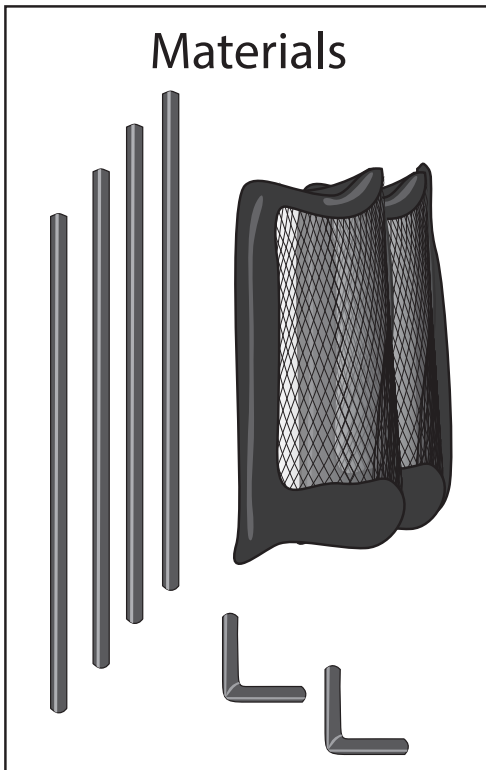


4x6 GRASSHOPPER SOCCER GOAL

ASSEMBLY INSTRUCTIONS



1 - Locate rods and corner pieces stitched at the top and bottom of net.

2 - Insert fiberglass poles through trim to slide into pre-installed corner pieces.

3 - Connect corner pieces to ends of newly installed fiberglass rods. Wrap stitched velcro straps around corner piece to secure.

