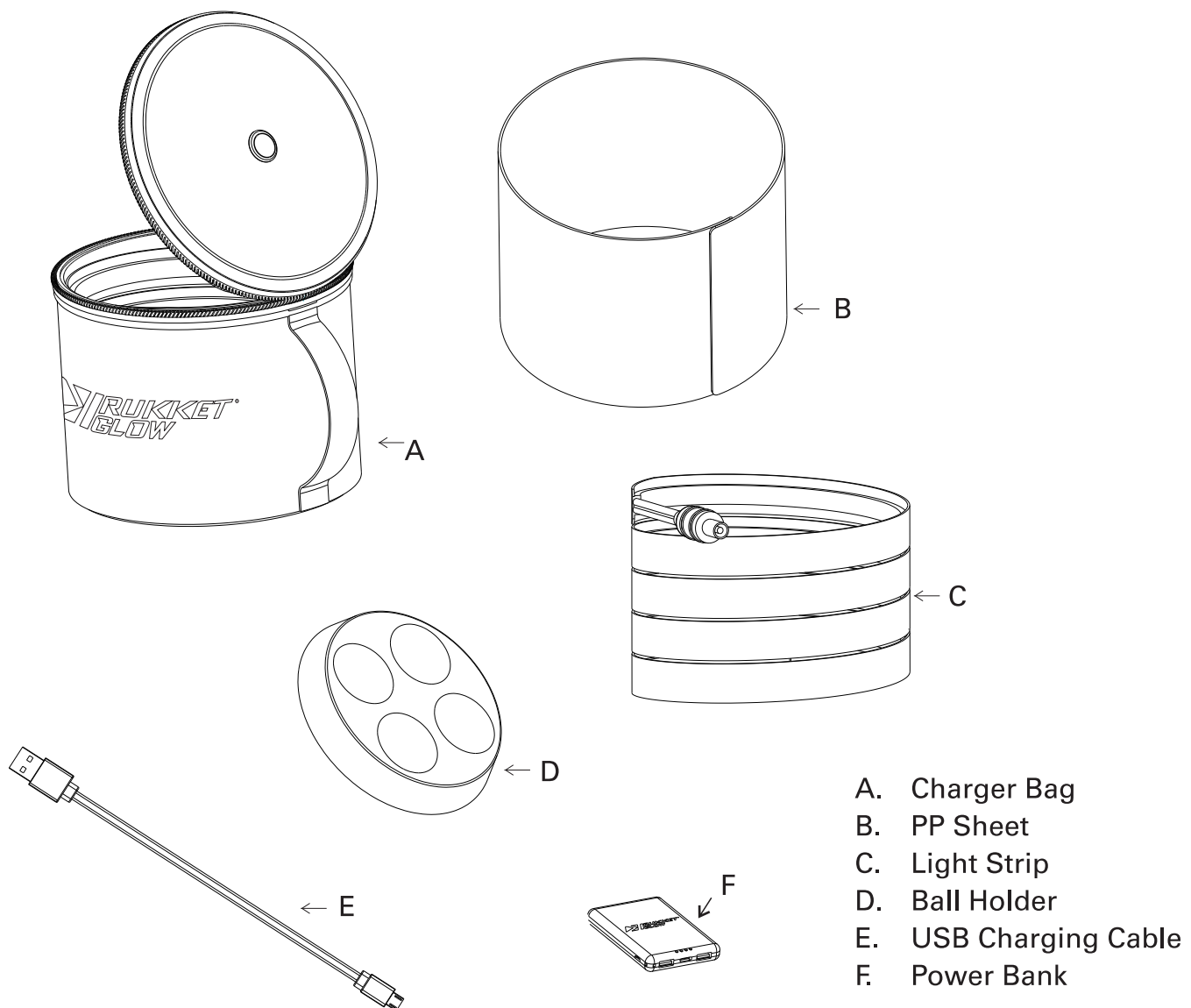


RUKKET® GLOW QUICK CHARGER ASSEMBLY INSTRUCTIONS



Please call us if you have any questions or concerns at **1-855-4RUKKET**
Please read our product safety warnings before setup

INCLUDED EQUIPMENT



RUKKET® GLOW QUICK CHARGER

ASSEMBLY INSTRUCTIONS

TIPS FOR USING YOUR RUKKET GLOW LED QUICK CHARGER

- Scan QR Code for a link to video instructions and more!
- Use the Rukket Glow quick charger as a carry bag when not in use.
- Most Rukket Sports glow-in-the-dark products will absorb a full charge in 30-60 seconds.
- Keep one ball in play and the other in the bag for a quick charge as needed.
- To save battery life only turn the lights on while charging.



LED QUICK CHARGER INSTRUCTIONS

- To recharge the power bank:
 1. Plug the USB-C end into the Power Bank.
 2. Plug the standard USB end into a computer or standard USB AC outlet adapter.
 3. A blue light will appear while the Power Bank is charging.
 4. Lights on the charger will be visible when the Power Bank is fully charged.
- A full charge typically takes 1-2 hours and should last for many uses of the charge bag.
- Once the power bank is fully charged, connect it to the quick charger using the standard USB connection port, and tuck it inside the pocket on the inside of the Quick Charge bag's lid.
- Make sure to connect the male LED strip connector to the female connector on the lid.
- Place the clear plastic spacer / ball holder at the bottom of the bag.
- Place glow-in-the-dark ball(s) inside the Quick Charger.
- Zip-up the Quick Charger and press the button on the top of the lid to turn on the Quick Charger's LED lighting system.
- Charge for 30-60 seconds.
- Enjoy!

POWER BANK MAINTENANCE & WARNINGS

- Keep the Power Bank dry.
- Do not use the Power Bank in high heat.
- Do not drop or throw the Power Bank. Mishandling of the Power Bank may cause damage to the product or, in extreme cases, bodily harm.