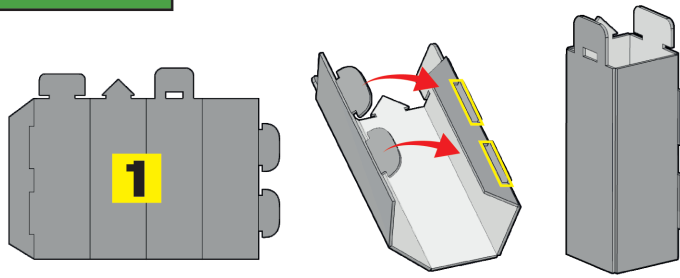
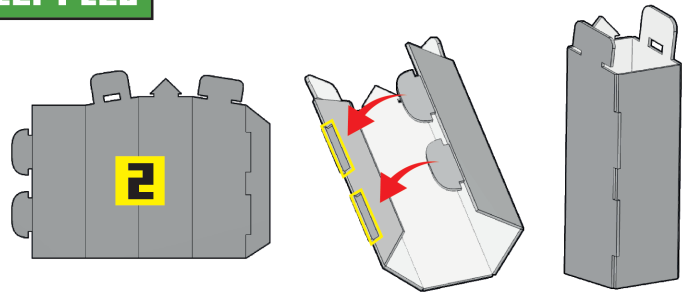


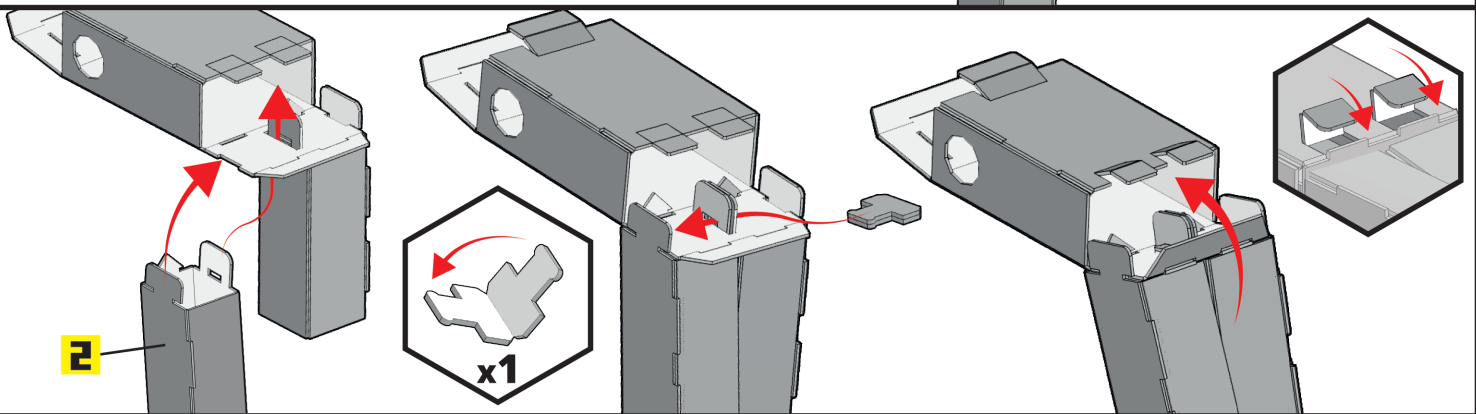
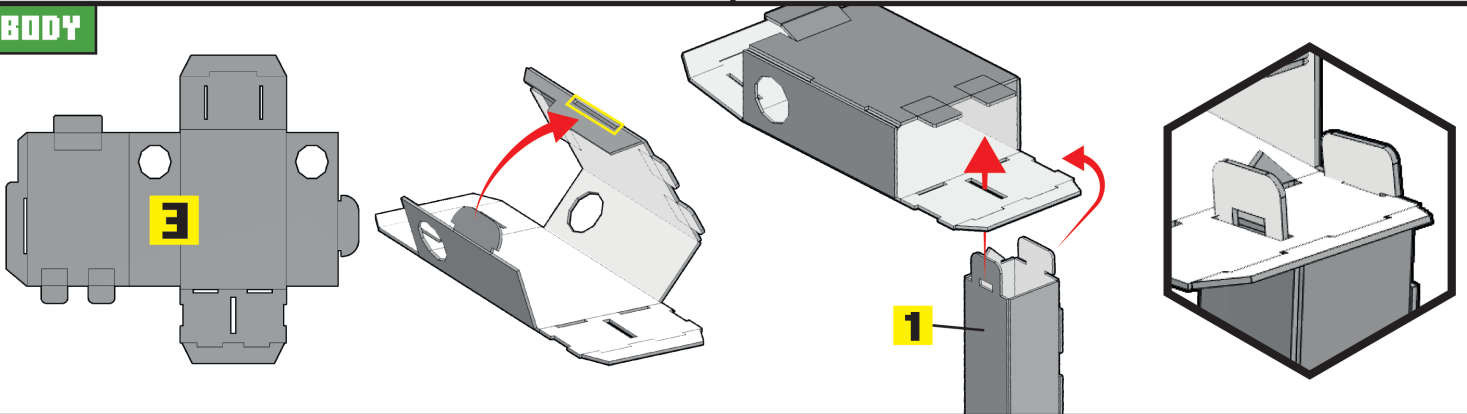
RIGHT LEG



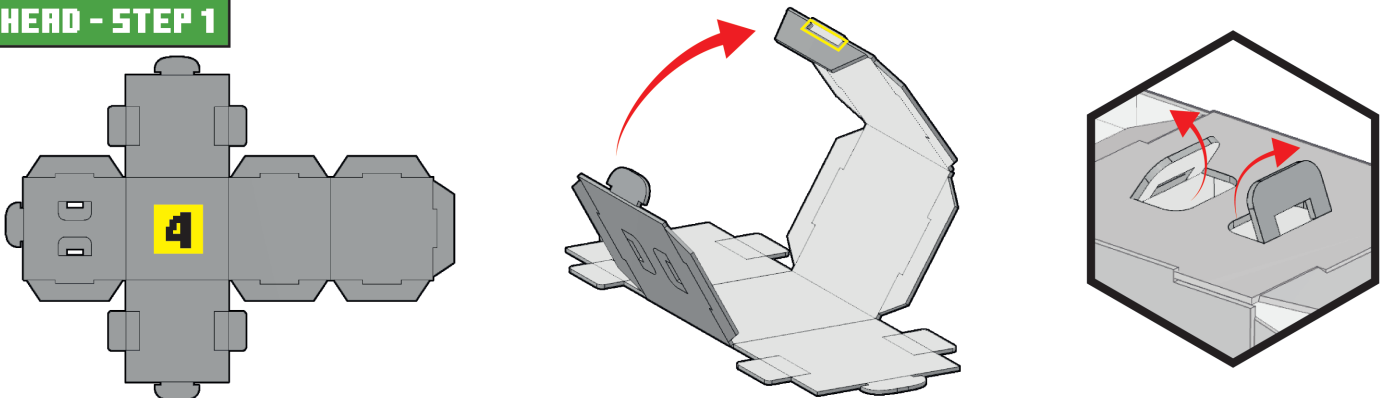
LEFT LEG

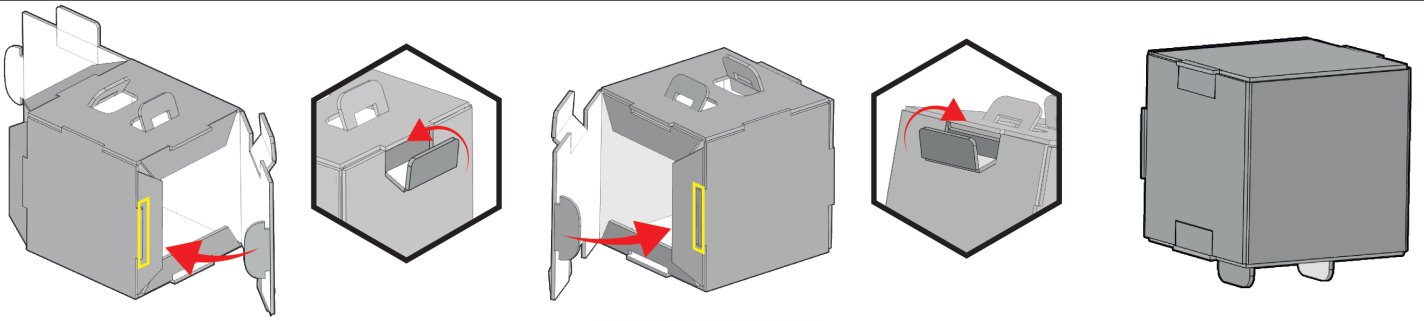


BODY

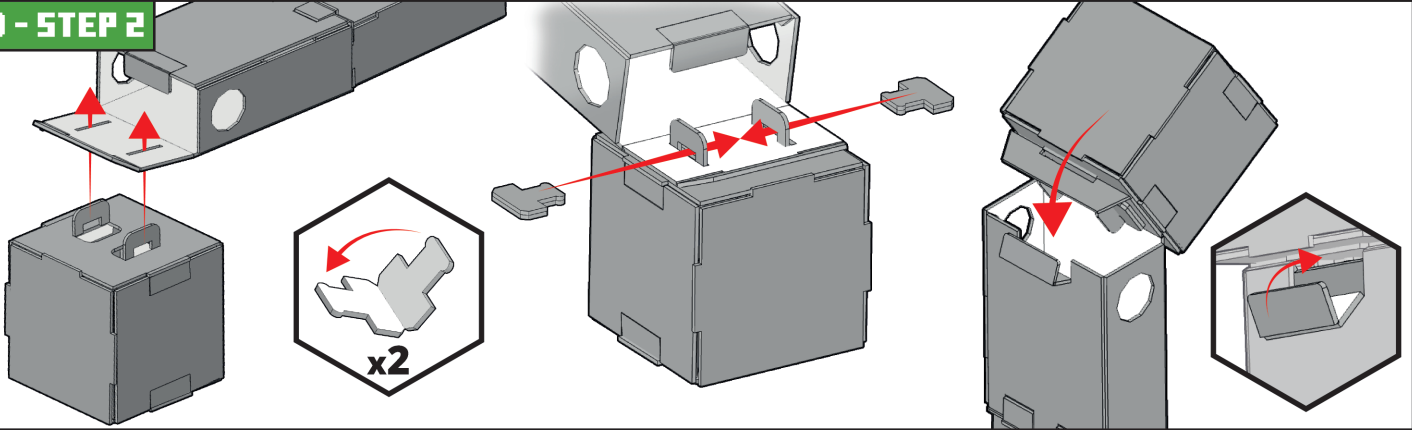


HEAD - STEP 1

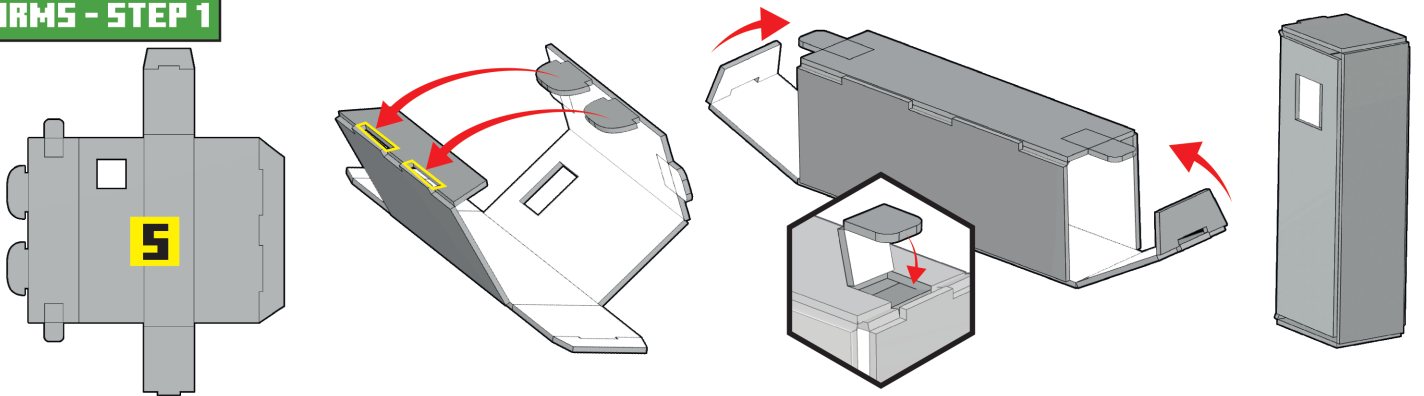




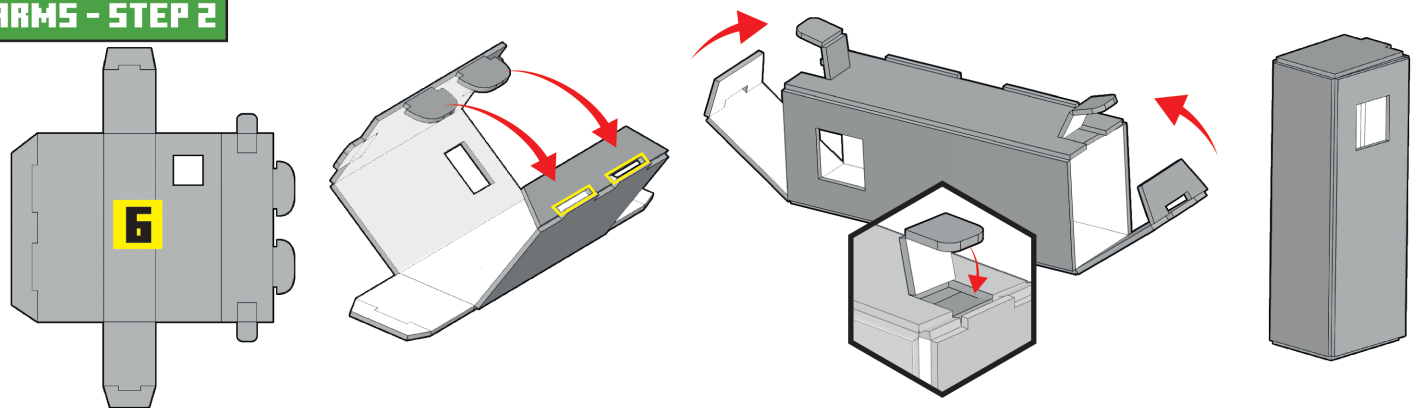
HEAD - STEP 2



ARMS - STEP 1



ARMS - STEP 2



ARMS - STEP 3

