



MiniMax Sump  
#7304

# FUGA • GADGET

Owner's Manual

# CONTENTS

## TABLE OF CONTENTS

Important Safety Instructions	3-4
Parts—Exploded View & Identification	
MiniMax Sump	5
Introduction	
MiniMax Sump	6
Getting Started	
Adding Media	7-8
MiniMax Water Flow Adjustment	9
Removing the Media	10
Notes	11
Warranty Information	12
Owner's Product Information	13

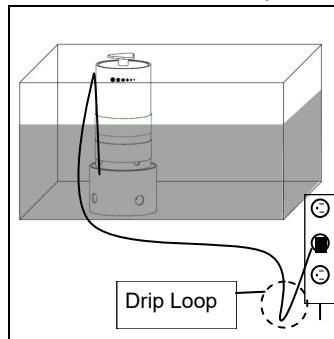
**WARNING**

To guard against injury, basic safety precautions should be observed including the following:

**READ ALL SAFETY INSTRUCTIONS BEFORE USE.**

To avoid electric shock, special care should be taken since water is employed in the use of aquarium equipment. For each of the following situations, do not attempt to repair yourself. Return the appliance to an authorized service facility for service or discard the appliance.

- If the appliance falls into water, DO NOT reach for it! First unplug it and then retrieve it. If the electrical components of the appliance get wet, unplug the appliance immediately.
- Carefully examine the appliance after installation. It should not be plugged in if there is water on parts not intended to be wet.
- Do not operate any appliance if it has a damaged cord or plug, or if it is malfunctioning or if it is dropped or damaged in any manner.
- To avoid the possibility of the appliance plug or receptacle getting wet, position aquarium to one side of a wall mounted receptacle to prevent water from dripping onto the receptacle plug. A “Drip Loop” should be arranged by the user for EACH cord connecting an aquarium appliance to a receptacle. The “Drip Loop” is that part of the cord below the level of the receptacle or the connector if an extension cord is used. This “Drip Loop” prevents water travelling along the cord and coming in contact with the receptacle.



- If the plug or the receptacle do get wet DO NOT unplug the cord. Disconnect the fuse to the circuit breaker that supplies power to the appliance. Then unplug and examine for the presence of water in the receptacle.
- Close supervision is necessary when any appliance is used by or near children.
- To avoid injury, do not contact moving parts or hot parts such as heaters, reflectors, lamps bulbs and etc.
- Always unplug an appliance from the outlet when not in use, before putting on or taking off parts, and before cleaning. Never yank the cord to pull plug from outlet. Grasp the plug and pull to disconnect.

## IMPORTANT SAFETY INSTRUCTIONS

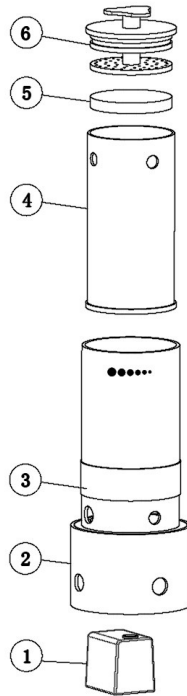
- Do not use an appliance for other than intended use. The use of attachments not recommended or sold by the appliance manufacturer may cause an unsafe condition.
- Do not install or store the appliance where it will be exposed to the weather or to temperatures below freezing.
- Make sure an appliance mounted on a tank is securely installed before operating it.
- Read and observe all the important notices on the appliance.
- This appliance has a polarized plug (one blade is wider than the other). As a safety feature, this plug will fit in a polarized outlet only one way. If the plug does not fit fully in the outlet, reverse the plug. If it still does not fit, contact a qualified electrician. Never use with an extension cord unless plug can be fully inserted. Do not attempt to defeat this safety feature.
- This appliance is intended FOR HOUSEHOLD USE ONLY.
- If an extension cord is necessary, a cord with a proper rating should be used.

## CLEANING

- Always unplug the MiniMax before performing maintenance or cleaning.
- Make sure hands are dry before re-plugging into an approved electrical outlet

## MiniMax Sump

Model #: 7304



**PARTS**  
Exploded View

#	Description	Item Code
1	MiniMax – Sump Pump	020001
2	MiniMax – Sump Outside Chamber	730402
3	MiniMax – Sump Silencer Sleeve	730403
4	MiniMax – Sump Inner Chamber	730404
5	MiniMax – Sump Sponge	730305
6	MiniMax – Sump Cap	730405

## INTRODUCTION

The MiniMax SUMP All-In-One Media Reactor is a novel approach to optimize chemical and biological filtration for aquariums utilizing a sump for filtration. Its' innovative Patent Pending design minimizes the need for flexible tubes, pvc pipes, ball valves, thumb screws, and unnecessary clutter that are usually associated with typical media reactors. Its' ingenious design maximizes performance and offers out of the box responsive flow control, easy maintenance, low power consumption, and the smallest of footprints. The versatile MiniMax SUMP reactor is designed with an acrylic pedestal and discreetly hides the included pump. The clever adjustable flow indicator dial allows for precise tuning and easy reference points to min to max flow rates.

The MiniMax is the All-In-One Sump Reactor for minimizing time and maximizing filtration.

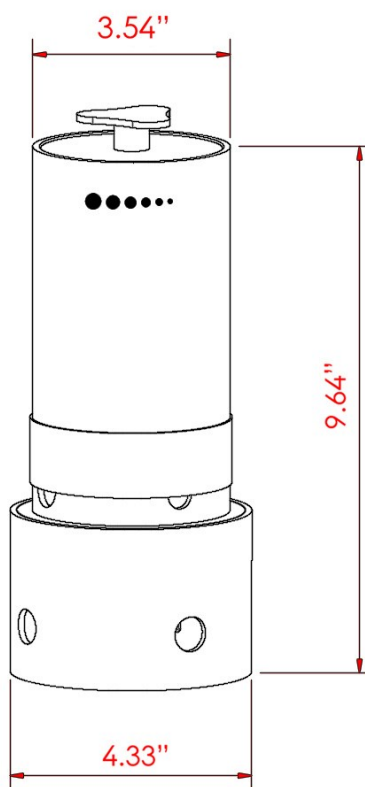
**Responsive Flow Control** – Unique dual chamber design, allows for quick and responsive flow control within seconds with a simple turn of knob without the need for ball valves and inlet/outlet pipes. New min/max settings allow for precise tuning with flow indicator measurements

**Silencing Sleeve** – Slide sleeve up/down to eliminate water noise caused by low water levels

**Efficiency** – Utilizes upward flow pattern that requires less flow and lower energy consumption

**Eliminate Messy Maintenance**– Internal chamber acts as a removable cartridge that simply slides out of outer chamber and automatically drains water out without the need for tools and time consuming thumb screws to unfasten.

**Made for Sumps** – Space saving design with a small footprint (4.33" diameter 9.64" high)



## How to use your MiniMax Sump

### Adding Media to the MiniMax

The MiniMax is designed to work with Bio Pellets, (GFO) Granular Ferric Oxide, or Pelletized Carbon.

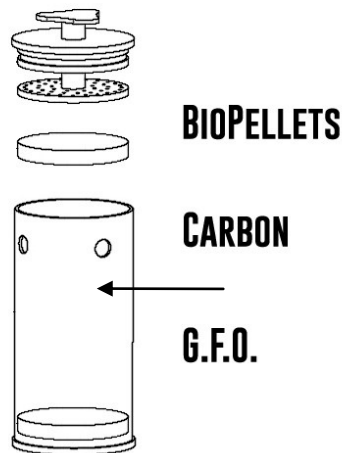
Generally, Bio Pellets require a stronger tumble, while GFO and Pelletized Carbon require less water flow to prevent crumbling. Please check with the manufacturer's instructions for volume needed for your tank size and rinsing procedures prior to adding media to reactor.

**Note:** The MiniMax includes two black sponges for use with GFO and Pelletized Carbon. Insert first black sponge directly over the dispersion plate. Add GFO or Pelletized Carbon and place second black sponge below the top dispersion plate.

Bio Pellets do not require the two black sponges

Remember to leave room for the media to fluidize in reactor. We do not recommend filling reactor to the maximum volume capacity.

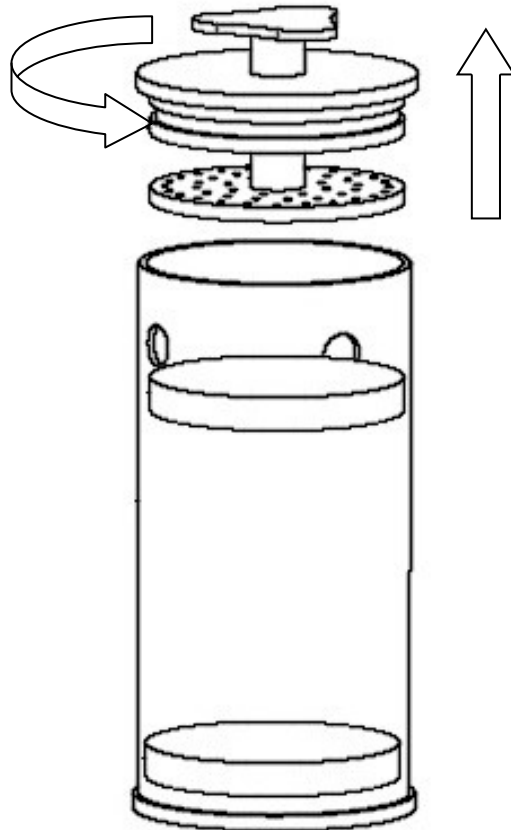
Please check with manufacturer's instruction for proper amount of media needed for your specific set up.



## GETTING STARTED

### Adding Media to the MiniMax

- A. Slide out inner chamber by lifting up on adjustment knob.
- B. Firmly grab cap lid and twist left to right while pulling upwards.
- C. Add media



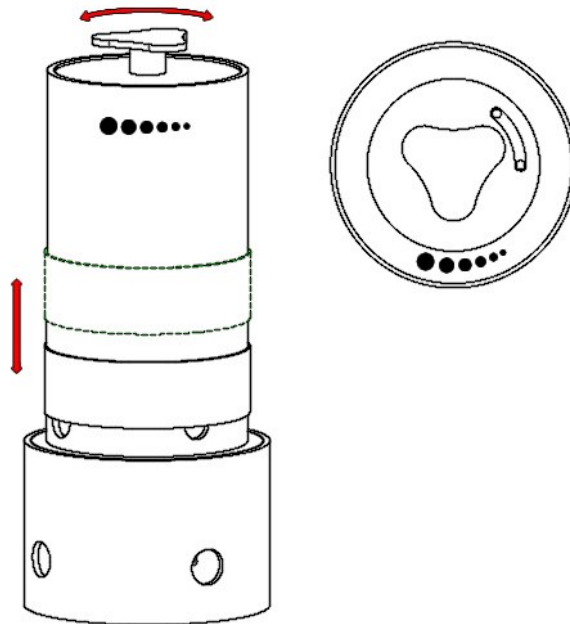


## How to use your MiniMax Sump

### MiniMax Water Flow Adjustment

MiniMax reactors incorporate a responsive water flow adjusting knob. Since, different media require different flow rates, this feature allows min to max flow settings with a simple turn of the knob.

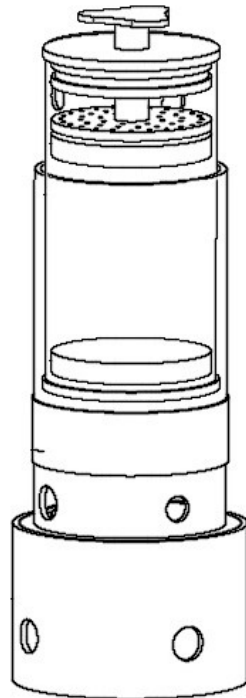
Turn knob to increase/decrease desired water flow.



If your water level is too low you may hear a “water crashing” noise. To minimize the water crashing noise lower the Silencer Sleeve and readjust reactor.

### Removing the Media

It is recommended to empty your media once a week or as needed.



- Unplug your MiniMax pump from electrical outlet.
- Gently lift the center column upward from the MiniMax body to remove cylinder.
- Wash out the contents of the media chamber with warm water.
- Replace the media by lowering center column back into the outer body and readjust flow.

### Cleaning / Removing MiniMax Pump

- Unplug the MiniMax pump from electrical outlet before performing any maintenance.
- Remove the Reactor from your sump
- Let water that is in the main body of reactor drain.
- Remove pump

**NOTES**

## WARRANTY INFORMATION

### LIMITED 1 YEAR WARRANTY

MiniMax Sump Media Reactor

The **MiniMax Sump** has a 1 YEAR limited warranty.

The **MiniMax Sump** is warranted to the original purchaser against defective material and workmanship for 1 YEAR from the date of original purchase.

This warranty is valid only under the following conditions: additions, modifications, or changes made to the product by the purchaser and not by the manufacturer shall void this warranty. Damages brought on by abuse, misapplication, or mishandling also voids this warranty.

This warranty is limited to the repair or replacement of the product at the discretion of the manufacturer. This warranty does not cover personal injury, property loss, including live-stock or damage (direct, incidental, or consequential) arising out of use of this product. This warranty gives you specific rights and you may also have other rights, which may vary from state to state.

The Product Registration Card must be filled out completely and returned within (14) days from the date of purchase. Failure to do so will void this warranty.

**A proof of purchase from an authorized dealer must be provided when making a warranty claim.**

For Warranty Claims please contact our Customer Care Department.

**866-368-7941 or email: [warranty@innovative-marine.com](mailto:warranty@innovative-marine.com)**

A RMA # must be issued before sending any product back to Innovative Marine. Products sent back to Innovative Marine without a RMA# will be not be accepted. Service on products will not extend the original warranty period.

**PRODUCT INFORMATION**

<b>MODEL # 7304</b>
<b>MiniMax Sump SERIAL #</b>
<b>DATE OF PURCHASE</b>

*Please keep your receipt in a safe place to ensure you have this information.*

**OWNER'S PRODUCT  
INFORMATION**



[WWW.INNOVATIVE-MARINE.COM](http://WWW.INNOVATIVE-MARINE.COM)

A Division of

