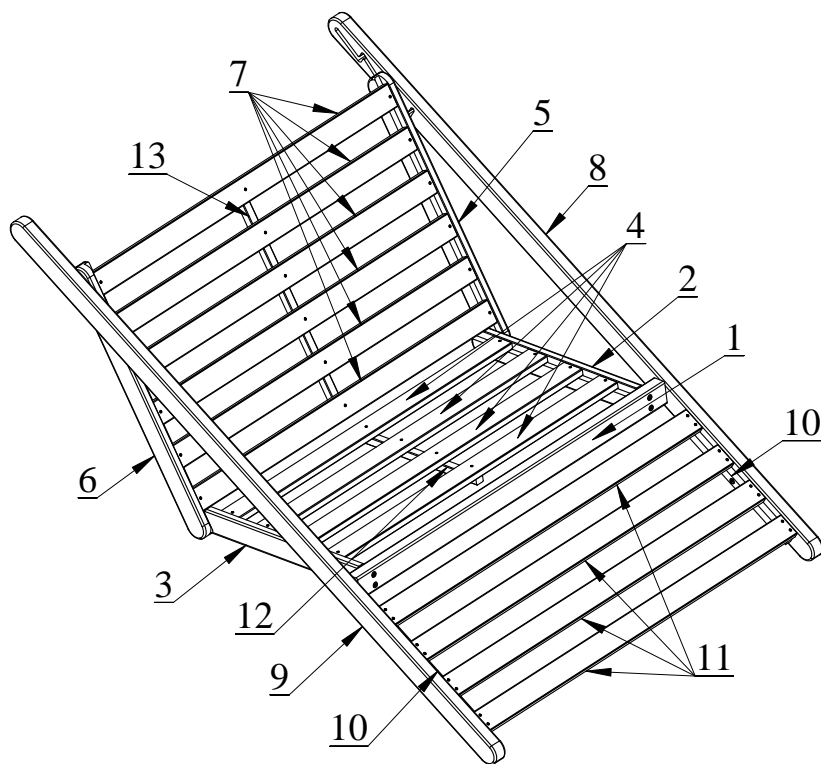
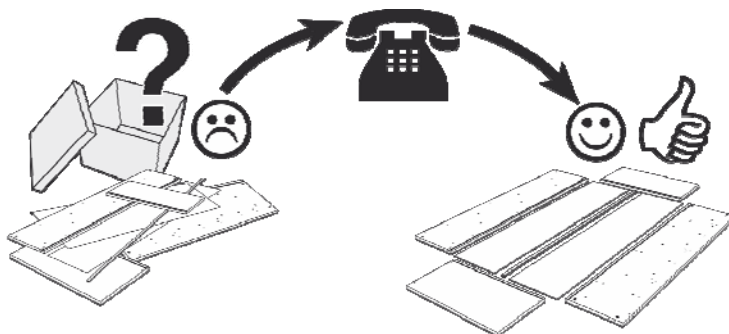
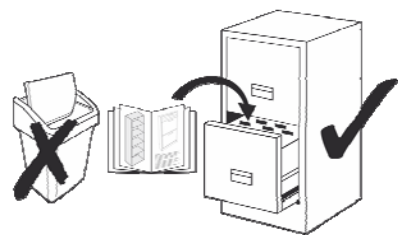


Service • Assistenza • Dienstverlening • Serwis Servis • Szerviz • Сервисная служба

Name • Nom • Nome • Naam
Nazwa • Jméno • Názov • Név
Denumire • Ísim • Название



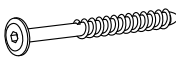



Nr. • No. • N° • Номер • Č • Sz

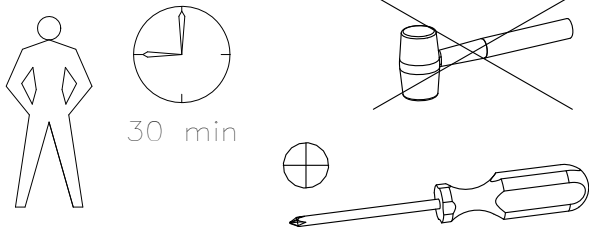
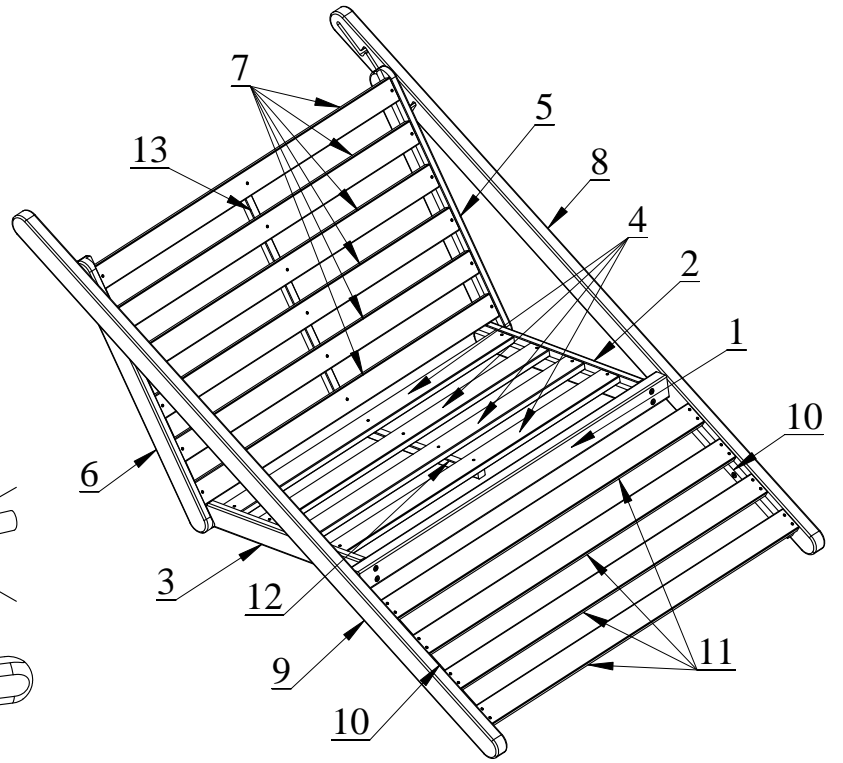
Typ • Type • Тип • Típus • Tipo
Тип



A		5x38	x26
B		5x50	x20
C		6,3x80	x4
D		6,3x50	x6
E		12x70	x6
F		4mm	x1


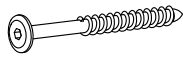
0
10
20
30
40
50
60
70
80
90
100
110
120
130
140
150
160
170
180
190
200

A		5x38	x26
B		5x50	x20
C		6,3x80	x4
D		6,3x50	x6
E		12x70	x6
F		4mm	x1




①

Diagram for step 1: The side rails (1) and rear rails (2) are shown. Slats (3) are being attached to the side rails. A central crossbar (4) is being attached to the slats. Screws A (4x), B (4x), and C (2x) are used for assembly. A 4mm bracket (F) is also shown. A circular inset shows a close-up of a slat being secured with screw B. Another circular inset shows a close-up of the crossbar being secured with screw C.

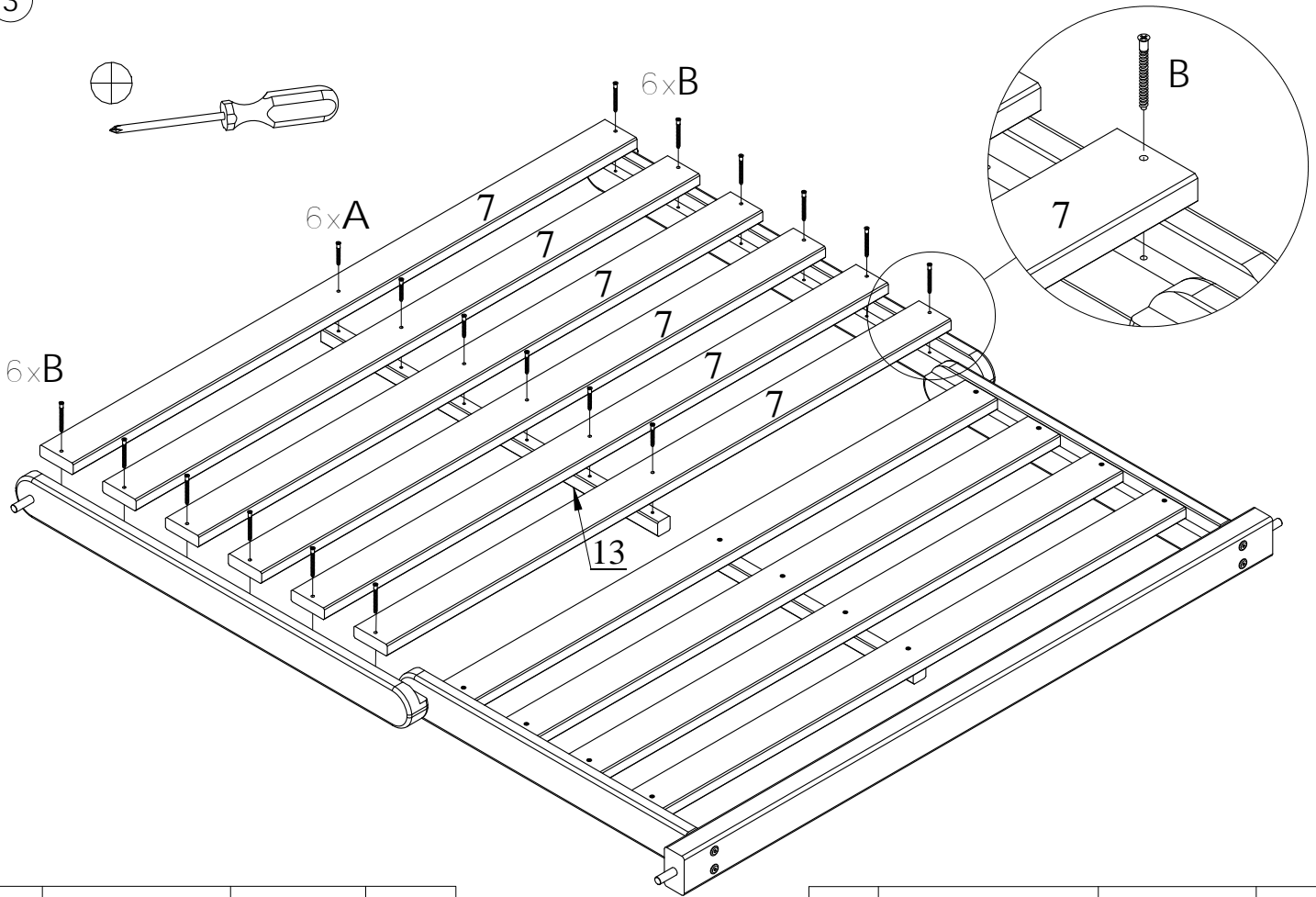
B		5x50	x8
C		6,3x80	x4


②


Diagram for step 2: The rear rail (6) is being attached to the backrest slats (5). A circular inset shows a close-up of the rear rail being secured with screw E. The final assembly shows the chair with the rear rail (6) attached to the side rails (1) using screws E.

E		12x70	x6
---	---	-------	----

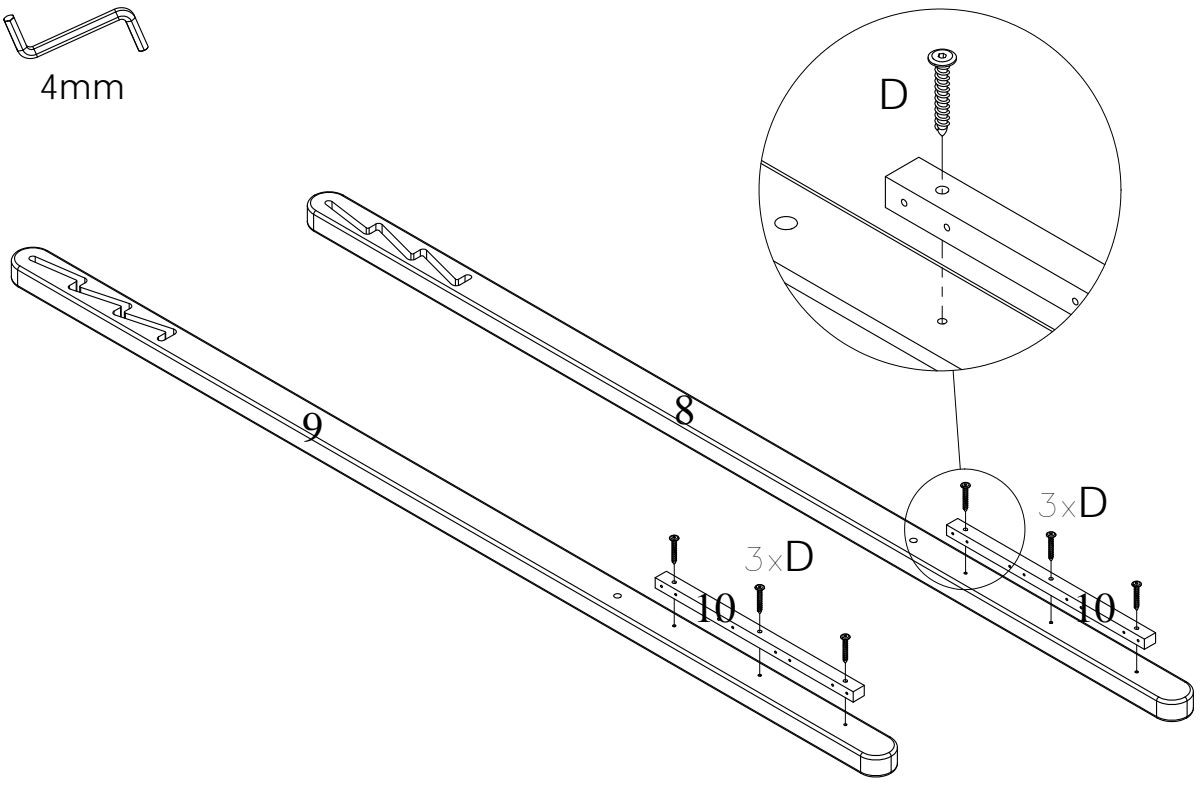
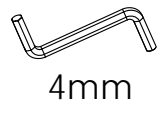
3



A		5x38	x6
---	---	------	----

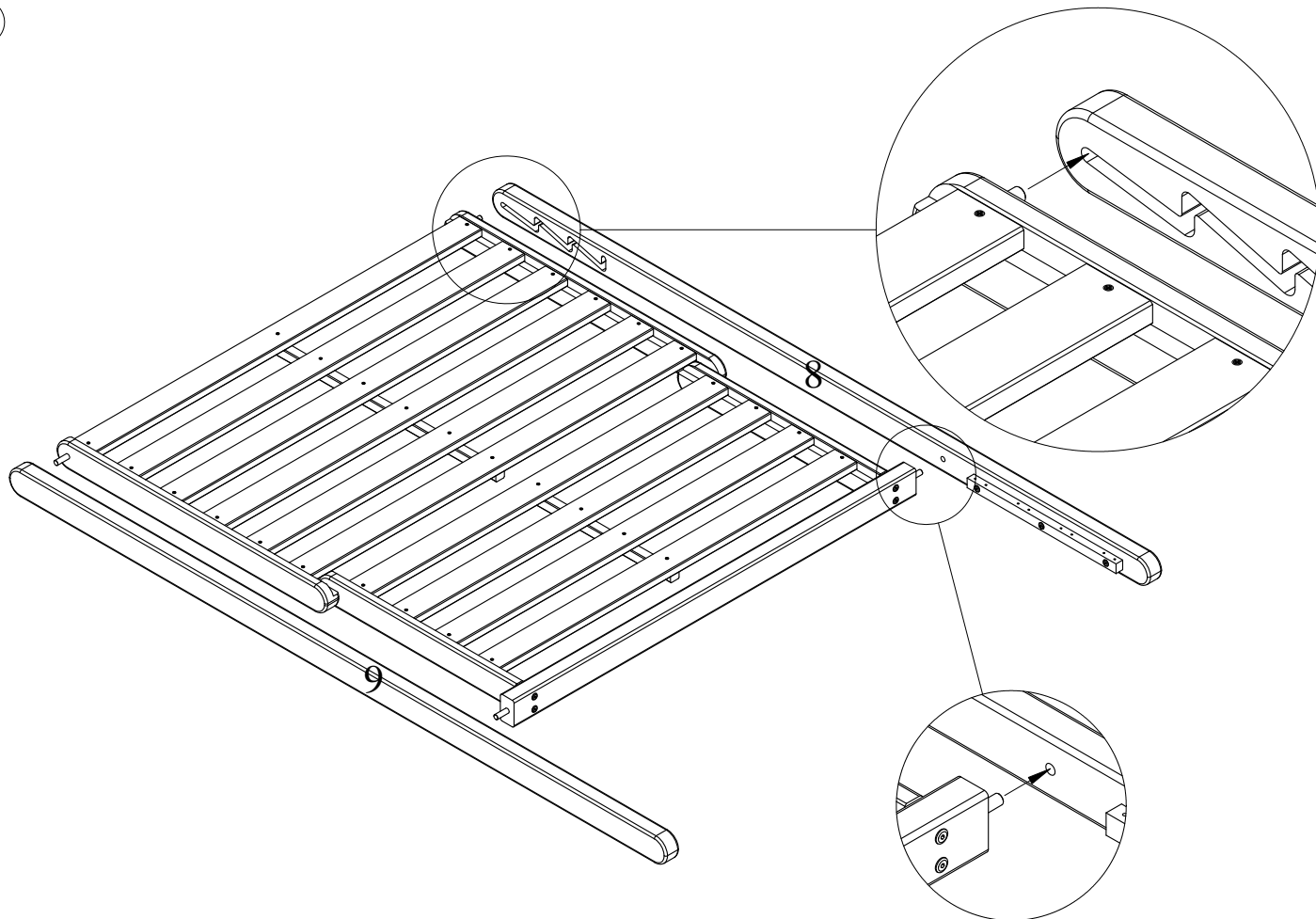
B		5x50	x12
---	---	------	-----

4

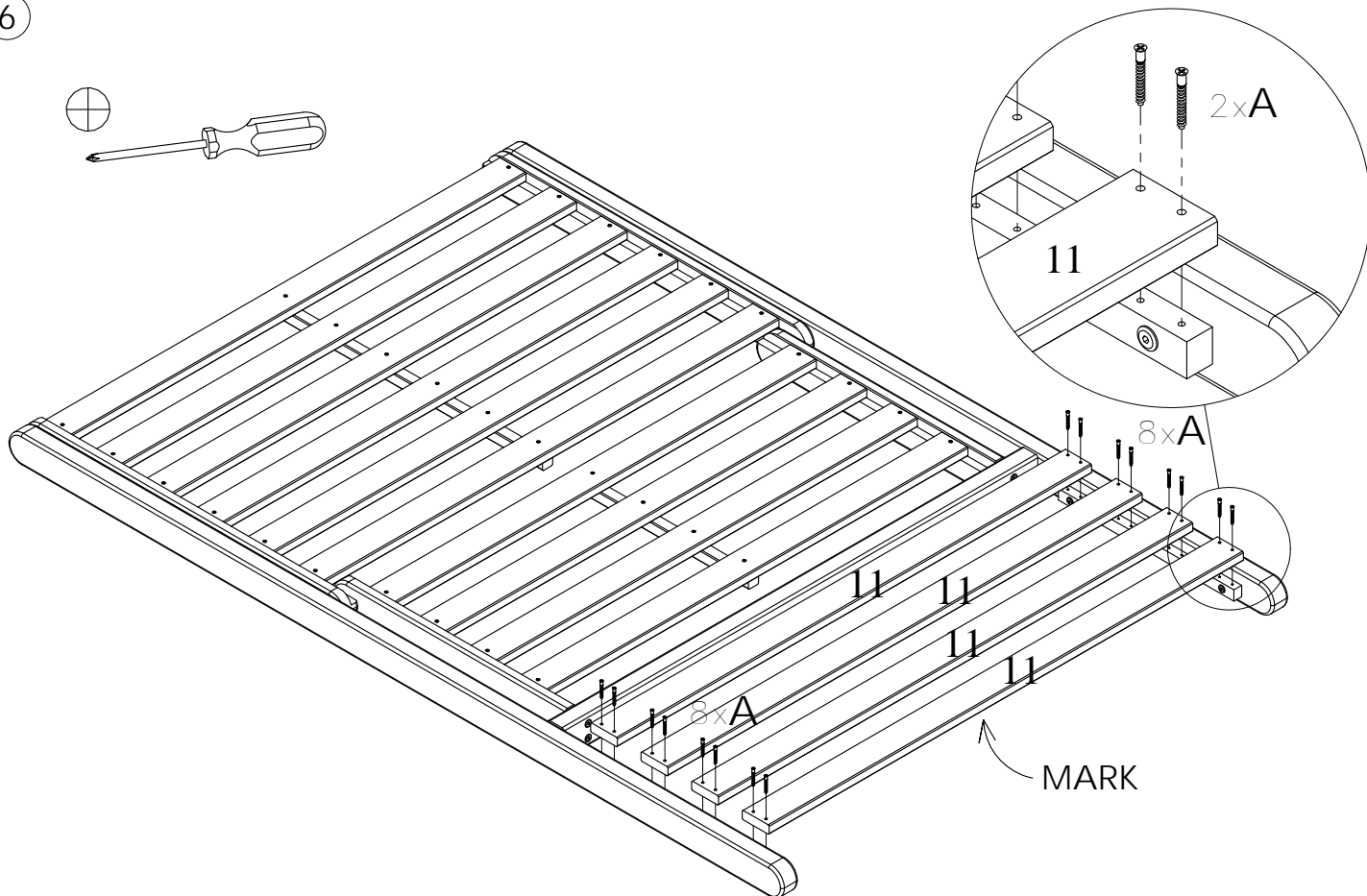


D		6,3x50	x6
---	---	--------	----

5



6



A		5x38	x16
---	---	------	-----