



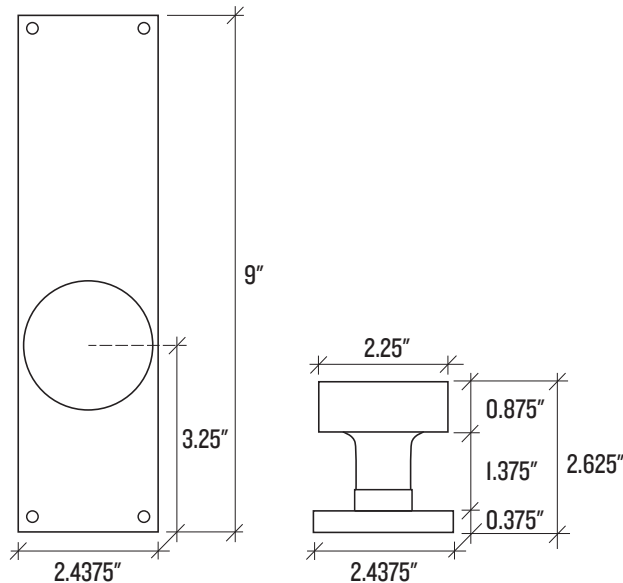
## Tate Door Set with Cylinder Knob— Passage

*Passage sets are non-locking and are primarily used on interior doors.*

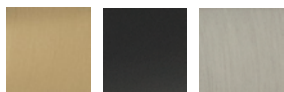
Made-to-order and custom assembled to your specifications, the Tate Door Set with Cylinder Knob is designed and crafted to stand the test of time. Made from solid brass parts and featuring premium finishes and mechanisms, each piece is built by hand to exacting quality standards.

- Made by Emtek, a respected manufacturer with decades of door hardware experience
- Covered by Manufacturer's Lifetime Limited Warranty
- Assembled in the USA of domestic and imported parts
- Ships direct from the manufacturer
- Requires standard door preparation and installation
  - Single 2-1/8" bore hole and 1" edge bore
- Features 28° latch
- Sold as a complete set
- Includes:
  - Latch plate
  - Full-lip strike plate
  - Inside passage half spindle
  - 1" wood screws
- This is made to order and non-returnable

<b>Backset</b>	2-3/8" or 2-3/4"
<b>Compatible Door Thickness</b>	1-1/4" - 1-3/4"
<b>Door Prep</b>	Standard
<b>Backplate Dimensions</b>	2.4375" W x 9" H
<b>Backplate Thickness</b>	0.375"
<b>Knob Dimensions</b>	2.25" Dia.
<b>Projection</b>	2.625"



### Finish Options



Satin Brass (SB) Flat Black (FB) Satin Nickel (SN)

Portland Flagship  
2181 NW Nicolai Street, Portland, OR 97210  
P: 503-230-7113

New York  
27 Vestry Street, New York, NY 10013  
P: 212-226-6113

Trade Sales  
E: Trade@schoolhouse.com  
P: 1-844-209-7735



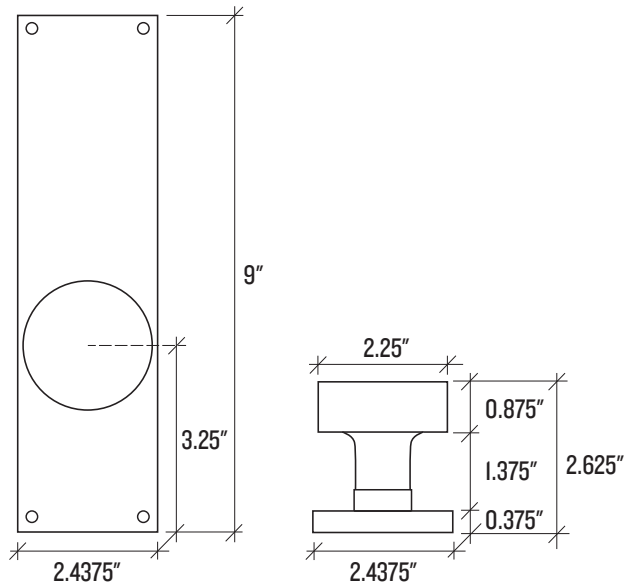
## Tate Door Set with Cylinder Knob—Privacy

*Privacy sets lock with a privacy pin and are primarily used on bedroom and bathroom doors.*

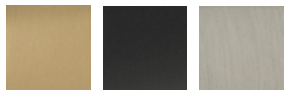
Made-to-order and custom assembled to your specifications, the Tate Door Set with Cylinder Knob is designed and crafted to stand the test of time. Made from solid brass parts and featuring premium finishes and mechanisms, each piece is built by hand to exacting quality standards.

- Made by Emtek, a respected manufacturer with decades of door hardware experience
- Covered by Manufacturer's Lifetime Limited Warranty
- Assembled in the USA of domestic and imported parts
- Ships direct from the manufacturer
- Requires standard door preparation and installation
  - Single 2-1/8" bore hole and 1" edge bore
- Features 28° latch
- Sold as a complete set
- Includes:
  - Latch plate
  - Full-lip strike plate
  - Privacy pin (with Privacy function)
  - Inside passage half spindle
  - 1" wood screws
- This is made to order and non-returnable

<b>Backset</b>	2-3/8" or 2-3/4"
<b>Compatible Door Thickness</b>	1-1/4" - 1-3/4"
<b>Door Prep</b>	Standard
<b>Backplate Dimensions</b>	2.4375" W x 9" H
<b>Backplate Thickness</b>	0.375"
<b>Knob Dimensions</b>	2.25" Dia.
<b>Projection</b>	2.625"



### Finish Options



Satin Brass (SB)   Flat Black (FB)   Satin Nickel (SN)

Portland Flagship  
2181 NW Nicolai Street, Portland, OR 97210  
P: 503-230-7113

New York  
27 Vestry Street, New York, NY 10013  
P: 212-226-6113

Trade Sales  
E: Trade@schoolhouse.com  
P: 1-844-209-7735



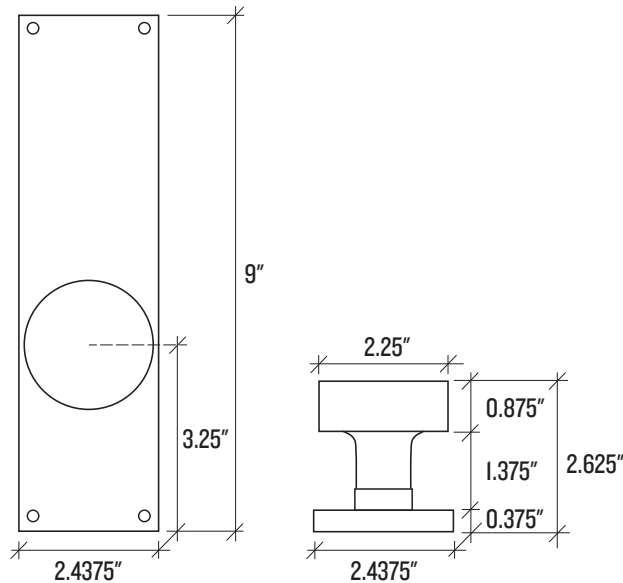
## Tate Door Set with Cylinder Knob— Dummy, Pair, Non-Keyed

*Dummy sets are non-turning and balance the look of double doors. Proportions of non-keyed dummy sets match those of Passage sets.*

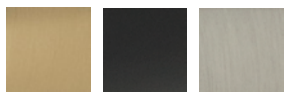
Made-to-order and custom assembled to your specifications, the Tate Door Set with Cylinder Knob is designed and crafted to stand the test of time. Made from solid brass parts and featuring premium finishes and mechanisms, each piece is built by hand to exacting quality standards.

- Made by Emtek, a respected manufacturer with decades of door hardware experience
- Covered by Manufacturer's Lifetime Limited Warranty
- Assembled in the USA of domestic and imported parts
- Ships direct from the manufacturer
- Surface-mounted; No bore hole required
- Sold as a complete set
- Includes dummy mounting kit
- This is made to order and non-returnable

<b>Backplate Dimensions</b>	2.4375" W x 9" H
<b>Backplate Thickness</b>	0.375"
<b>Knob Dimensions</b>	2.25" Dia.
<b>Projection</b>	2.625"



### Finish Options



Satin Brass (SB)   Flat Black (FB)   Satin Nickel (SN)

Portland Flagship  
2181 NW Nicolai Street, Portland, OR 97210  
P: 503-230-7113

New York  
27 Vestry Street, New York, NY 10013  
P: 212-226-6113

Trade Sales  
E: Trade@schoolhouse.com  
P: 1-844-209-7735



## Tate Door Set with Cylinder Knob—Keyed

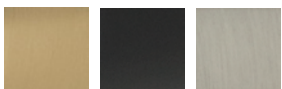
Keyed sets lock with a single cylinder deadbolt and are primarily used on exterior doors.

Made-to-order and custom assembled to your specifications, the Tate Door Set with Cylinder Knob is designed and crafted to stand the test of time. Made from solid brass parts and featuring premium finishes and mechanisms, each piece is built by hand to exacting quality standards.

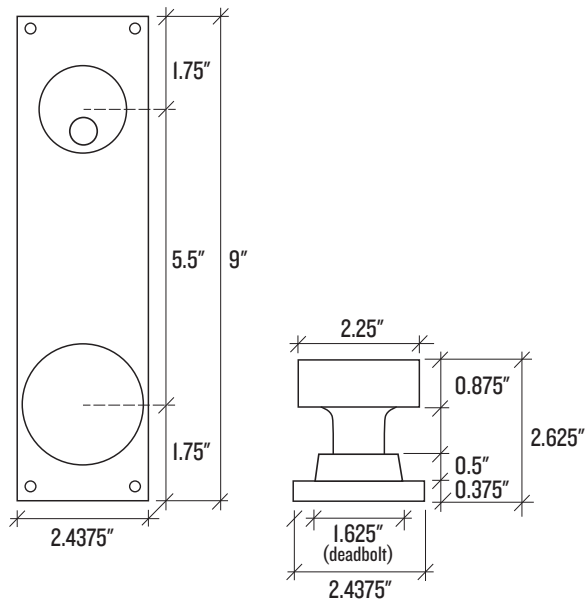
- Made by Emtek, a respected manufacturer with decades of door hardware experience
- Covered by Manufacturer's Lifetime Limited Warranty
- Assembled in the USA of domestic and imported parts
- Ships direct from the manufacturer
- Requires standard door preparation and installation
  - Two 2-1/8" bore holes and 1" edge bores; 5-1/2" center-to-center hole spacing
- Features 28° latch on Passage and Privacy and Keyed functions
- Features Schlage C Keyway on Keyed function
- Sold as a complete set
- Includes:
  - Latch plate
  - Full-lip strike plate
  - Inside passage half spindle
  - 1" wood screws
  - 2-1/4" deadbolt mounting screws, extension collar and deadbolt strike plate
- This is made to order and non-returnable.

<b>Backset</b>	2-3/8" or 2-3/4"
<b>Compatible Door Thickness</b>	1-1/4" - 1-3/4"
<b>Door Prep</b>	Standard
<b>Backplate Dimensions</b>	2.4375" W x 9" H
<b>Backplate Thickness</b>	0.375"
<b>Knob Dimensions</b>	2.25" Dia.
<b>Projection</b>	2.625"

### Finish Options



Satin Brass (SB) Flat Black (FB) Satin Nickel (SN)



Portland Flagship  
2181 NW Nicolai Street, Portland, OR 97210  
P: 503-230-7113

New York  
27 Vestry Street, New York, NY 10013  
P: 212-226-6113

Trade Sales  
E: Trade@schoolhouse.com  
P: 1-844-209-7735



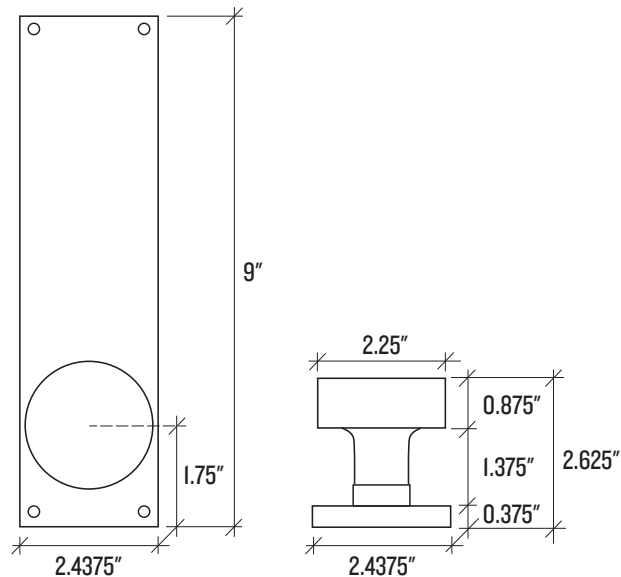
## Tate Door Set with Cylinder Knob— Dummy, Pair, Keyed

*Dummy sets are non-turning and balance the look of double doors.  
Proportions of keyed dummy sets match those of Keyed sets.*

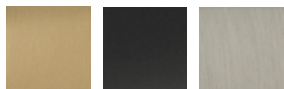
Made-to-order and custom assembled to your specifications, the Tate Door Set with Cylinder Knob is designed and crafted to stand the test of time. Made from solid brass parts and featuring premium finishes and mechanisms, each piece is built by hand to exacting quality standards.

- Made by Emtek, a respected manufacturer with decades of door hardware experience
- Covered by Manufacturer's Lifetime Limited Warranty
- Assembled in the USA of domestic and imported parts
- Ships direct from the manufacturer
- Surface-mounted; No bore hole required
- Sold as a complete set
- Includes dummy mounting kit
- This is made to order and non-returnable

<b>Backplate Dimensions</b>	2.4375" W x 9" H
<b>Backplate Thickness</b>	0.375"
<b>Knob Dimensions</b>	2.25" Dia.
<b>Projection</b>	2.625"



### Finish Options



Satin Brass (SB)   Flat Black (FB)   Satin Nickel (SN)

Portland Flagship  
2181 NW Nicolai Street, Portland, OR 97210  
P: 503-230-7113

New York  
27 Vestry Street, New York, NY 10013  
P: 212-226-6113

Trade Sales  
E: Trade@schoolhouse.com  
P: 1-844-209-7735